

US00D619639S

(12) **United States Design Patent**
Brown et al.

(10) **Patent No.:** **US D619,639 S**
(45) **Date of Patent:** **** Jul. 13, 2010**

(54) **EMBEDDED WAVE PANEL FOR AN OFFICE MACHINE**

D521,544 S * 5/2006 Saito D18/39
D537,866 S * 3/2007 Matsuda et al. D18/39
D573,177 S * 7/2008 Isogai et al. D18/39
D589,550 S * 3/2009 Clark, III D18/39

(75) Inventors: **Donald A. Brown**, Honeoye Falls, NY (US); **William T. Clark, III**, Pittsford, NY (US); **Tomoyuki Kobayashi**, Yokohama (JP)

* cited by examiner

Primary Examiner—Caron Veynar
Assistant Examiner—Garth Rademaker
(74) *Attorney, Agent, or Firm*—Tallam I. Nguti

(73) Assignee: **Xerox Corporation**, Norwalk, CT (US)

(**) Term: **14 Years**

(57) **CLAIM**

(21) Appl. No.: **29/327,343**

The ornamental design for an embedded wave panel for an office machine, as shown and described.

(22) Filed: **Nov. 4, 2008**

(51) **LOC (9) Cl.** **16-03**

DESCRIPTION

(52) **U.S. Cl.** **D18/40**

(58) **Field of Classification Search** D18/36-41,
D18/44-56; 222/DIG. 1; 271/3.14, 8.1,
271/226, 278; 355/97, 98; 358/1.1; 399/1-7,
399/16, 75, 81, 107, 130, 155, 361, 365,
399/381-383, 388

FIG. 1 is a perspective view of an embedded wave panel for an office machine showing the ornamental design in accordance with the present invention;

FIG. 2 is a front view thereof;

FIG. 3 is a right side view thereof;

FIG. 4 is a rear view thereof;

FIG. 5 is a left side view thereof;

FIG. 6 is a top plan view thereof; and,

FIG. 7 is a bottom plan view thereof.

See application file for complete search history.

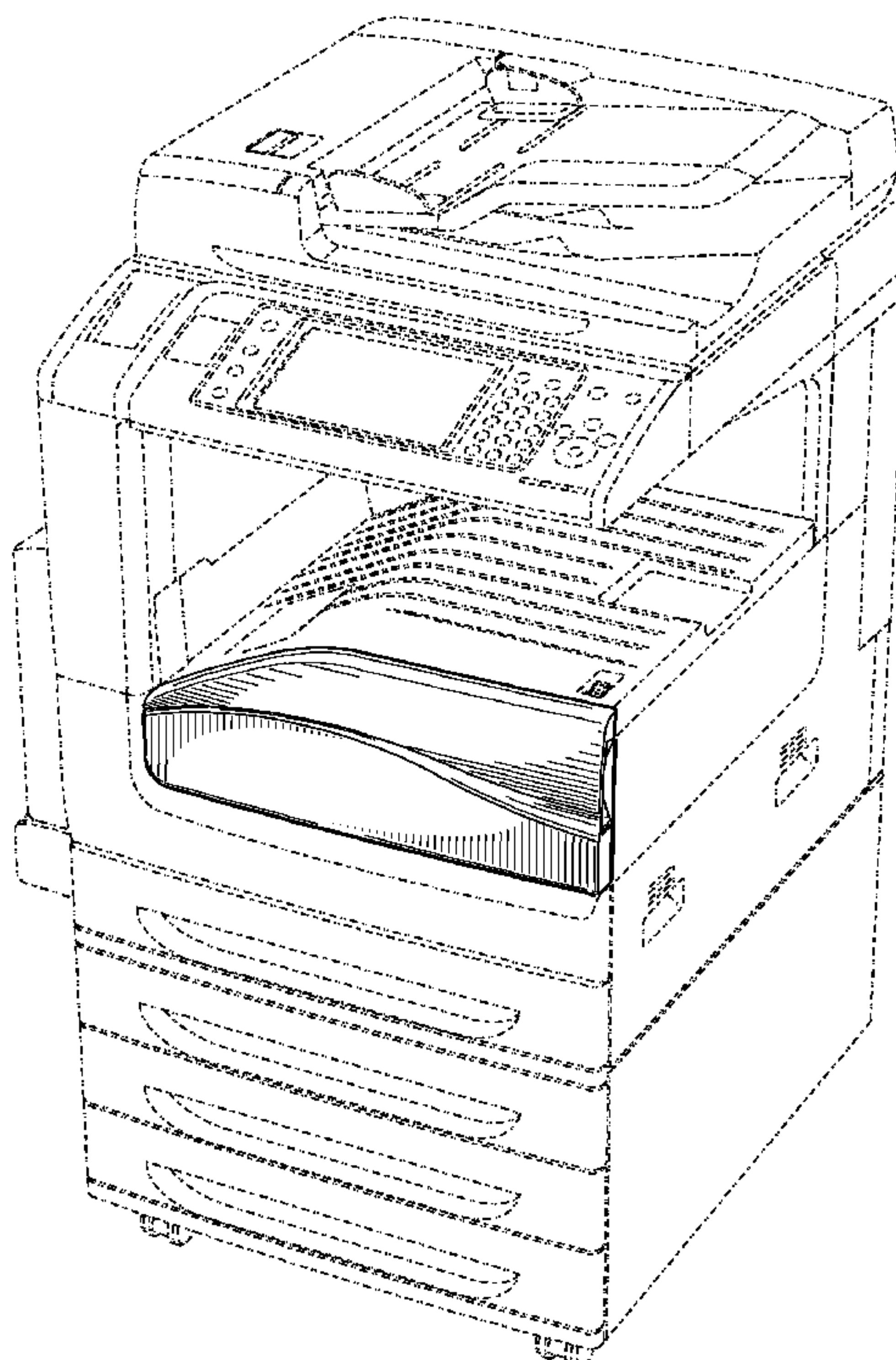
The broken lines depict environmental subject matter only and form no part of the claimed design.

(56) **References Cited**

U.S. PATENT DOCUMENTS

D331,772 S * 12/1992 Suzuki et al. D18/38
D359,066 S * 6/1995 Kondo et al. D18/39
D430,596 S * 9/2000 Shiozaki et al. D18/54
D443,635 S * 6/2001 Ogawa et al. D18/39
D493,817 S * 8/2004 Yoshida et al. D18/39

1 Claim, 7 Drawing Sheets



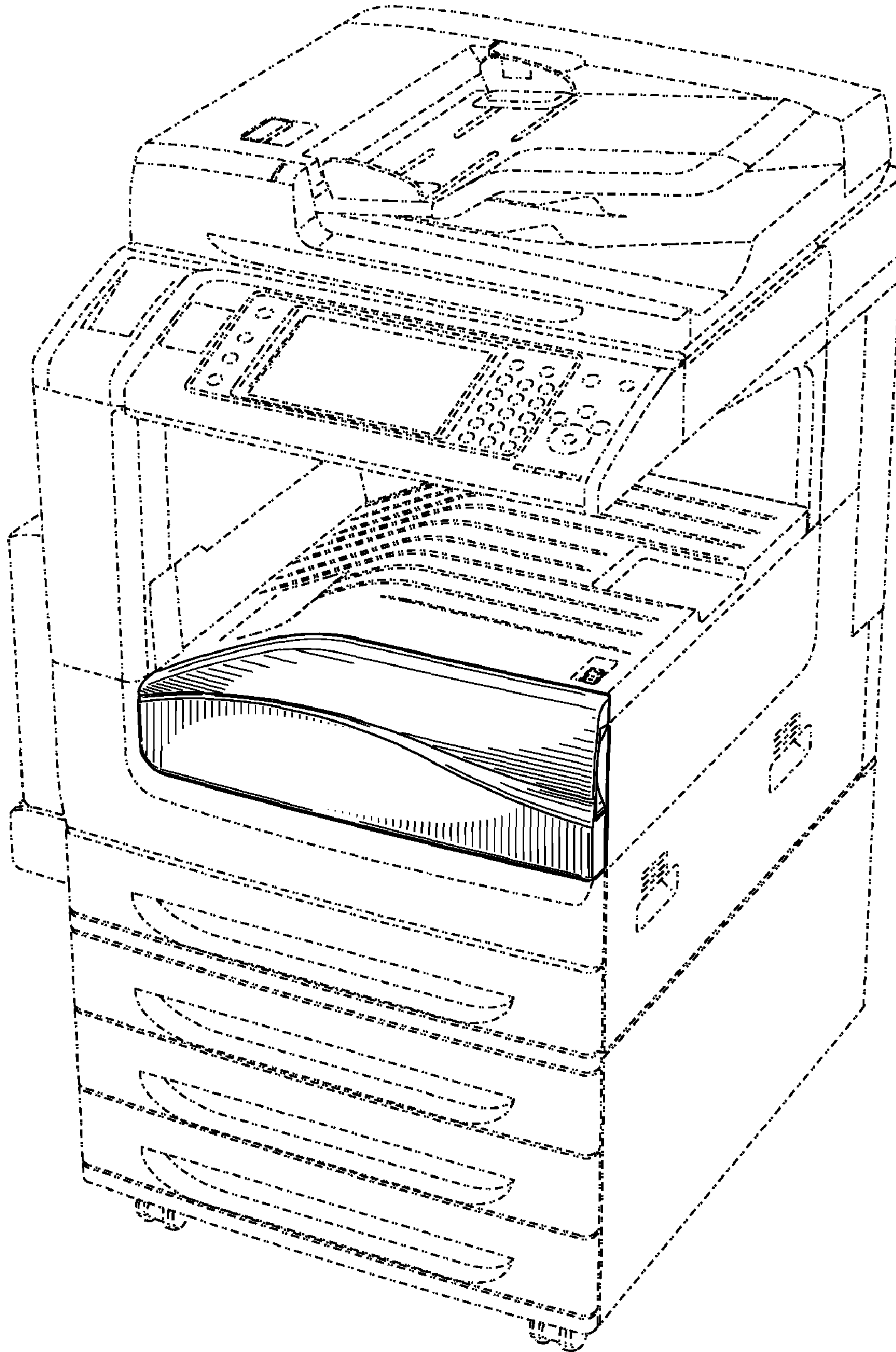


FIG. 1

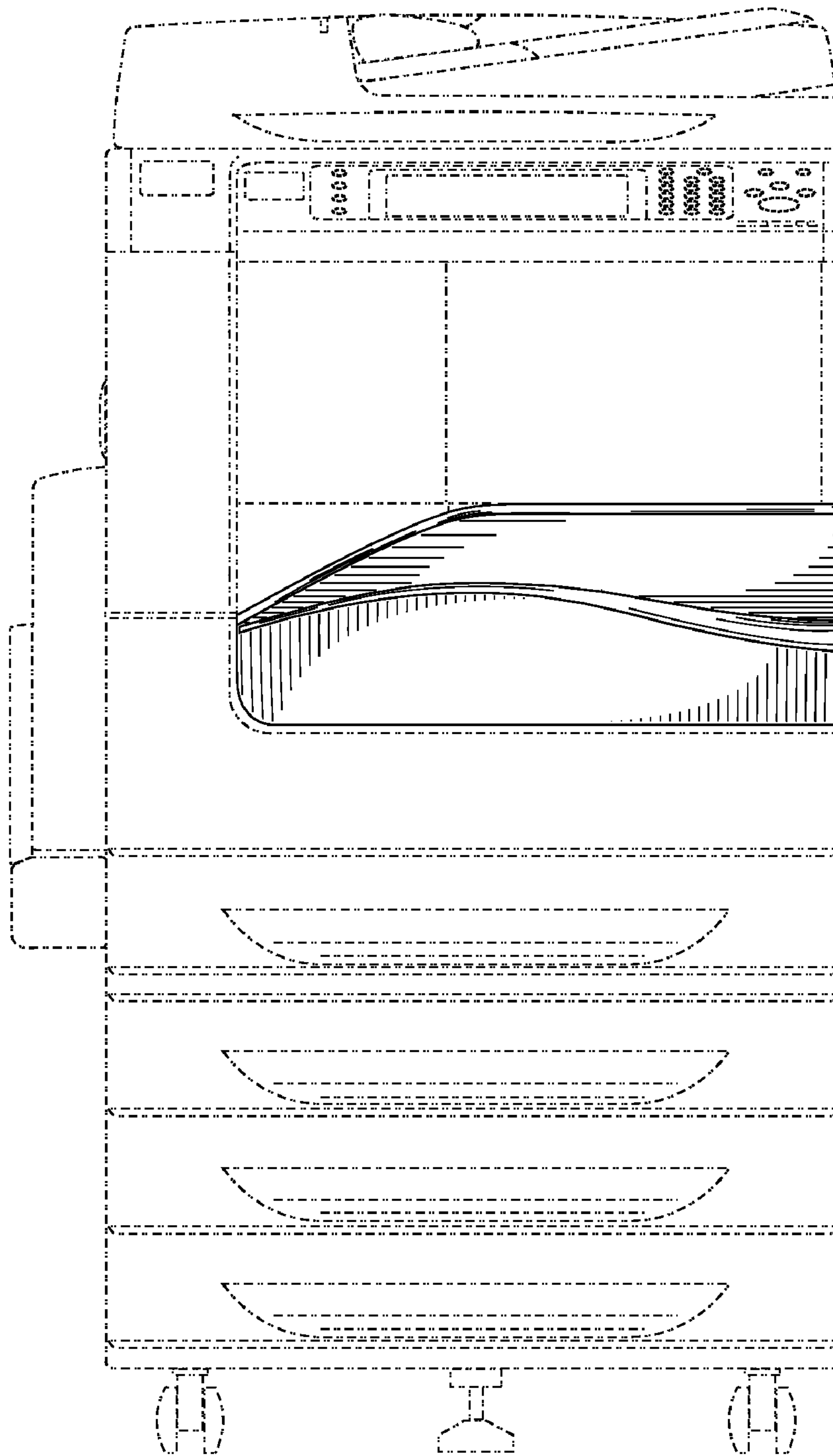


FIG. 2

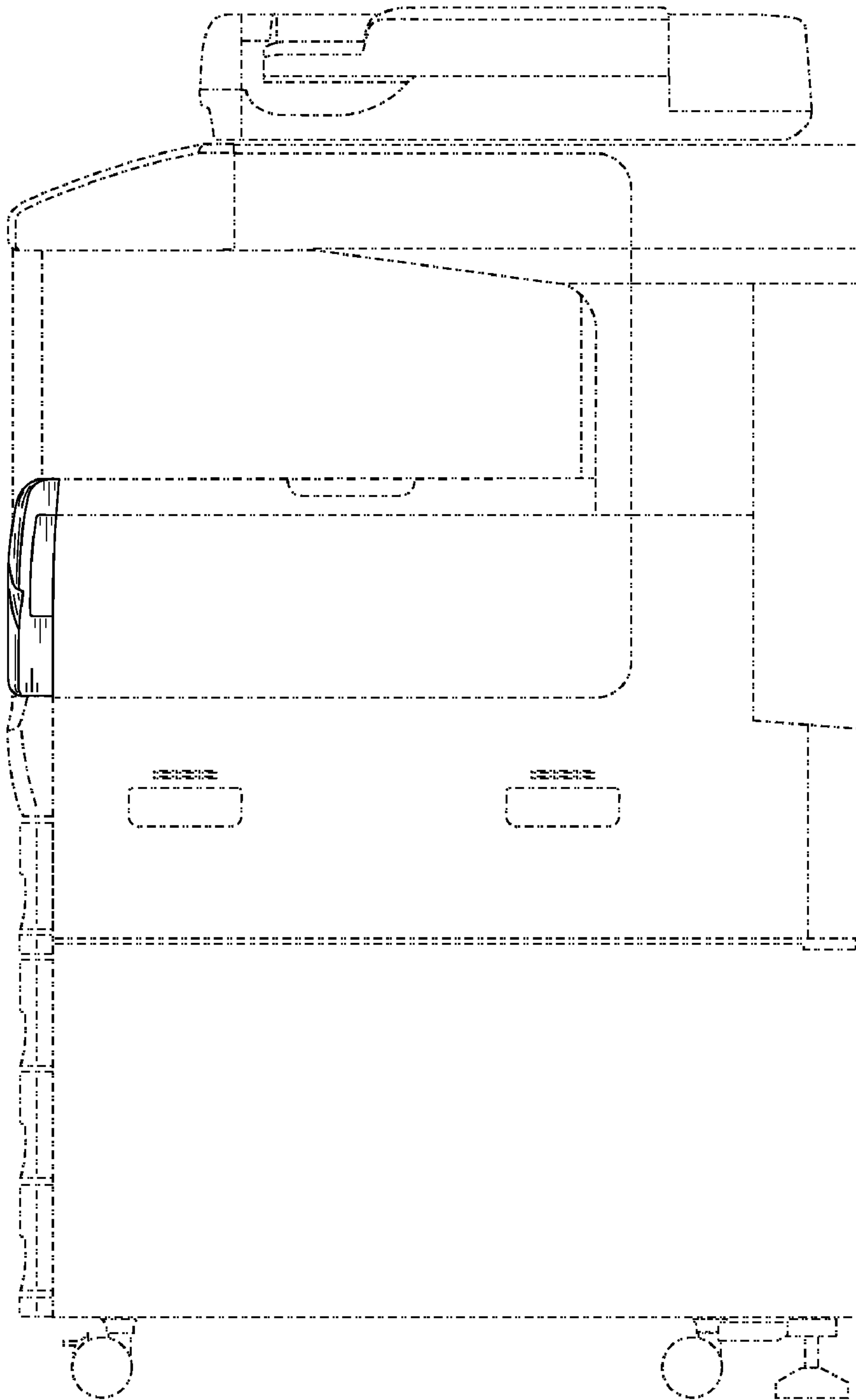


FIG. 3

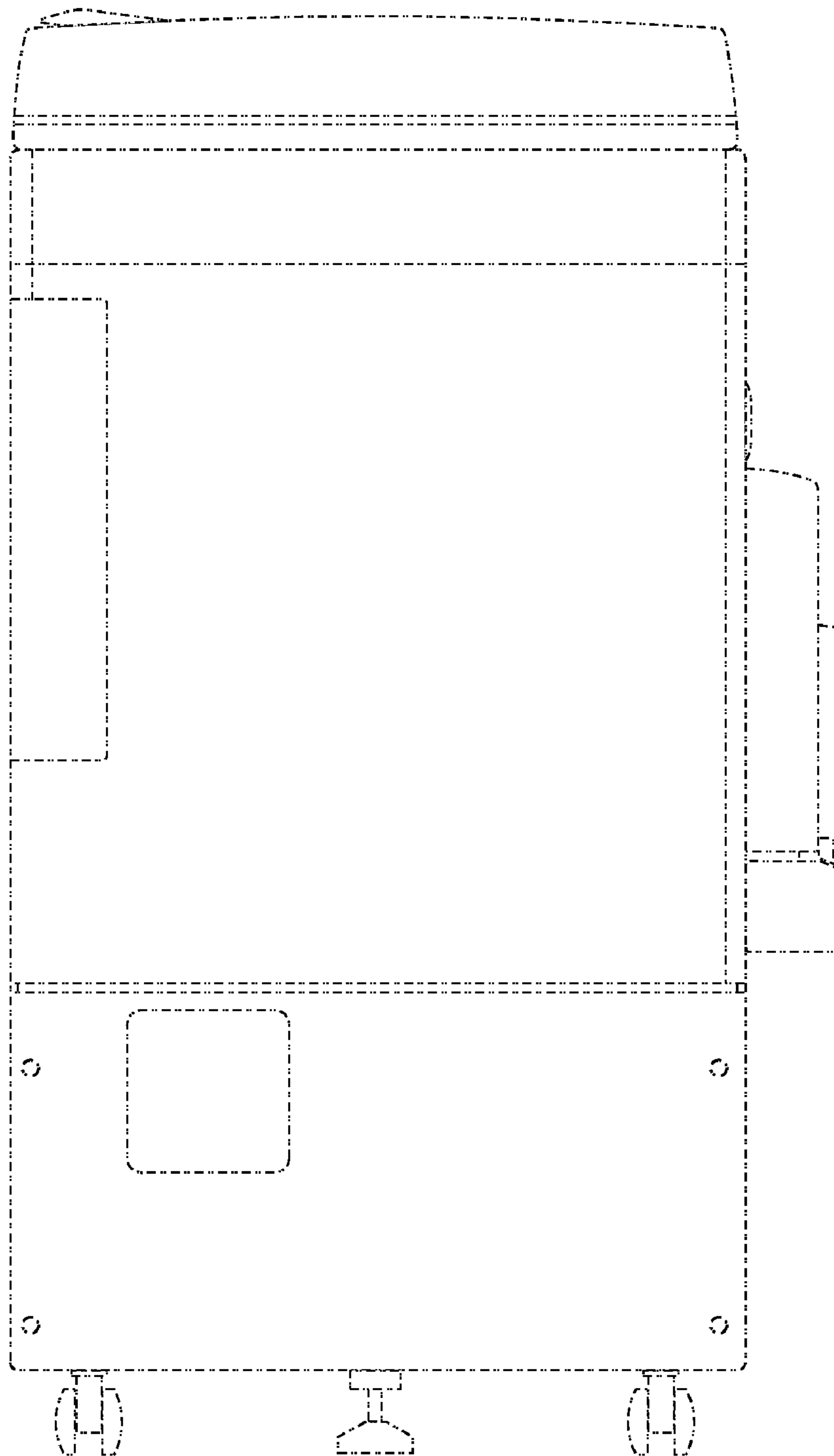


FIG. 4

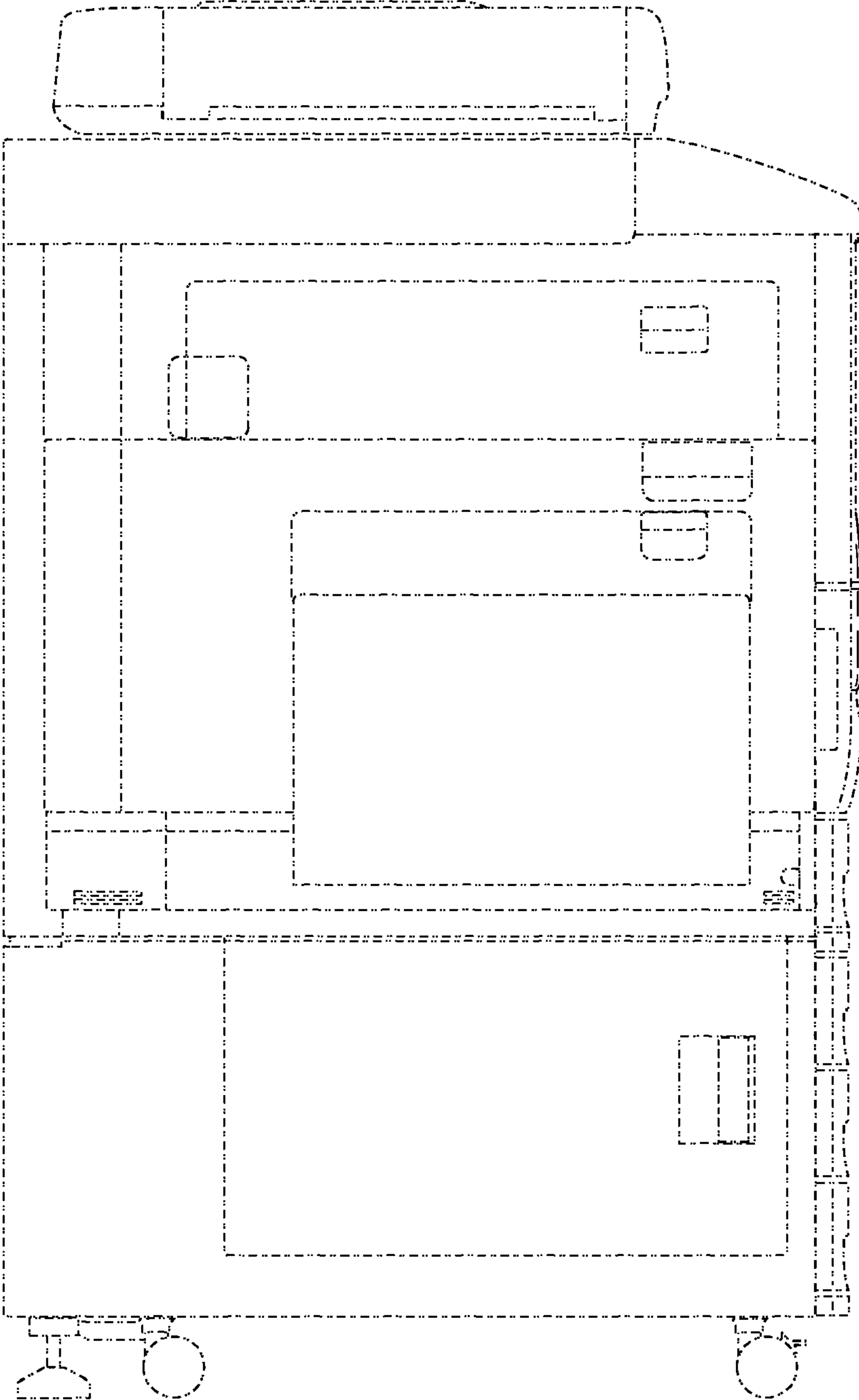


FIG. 5

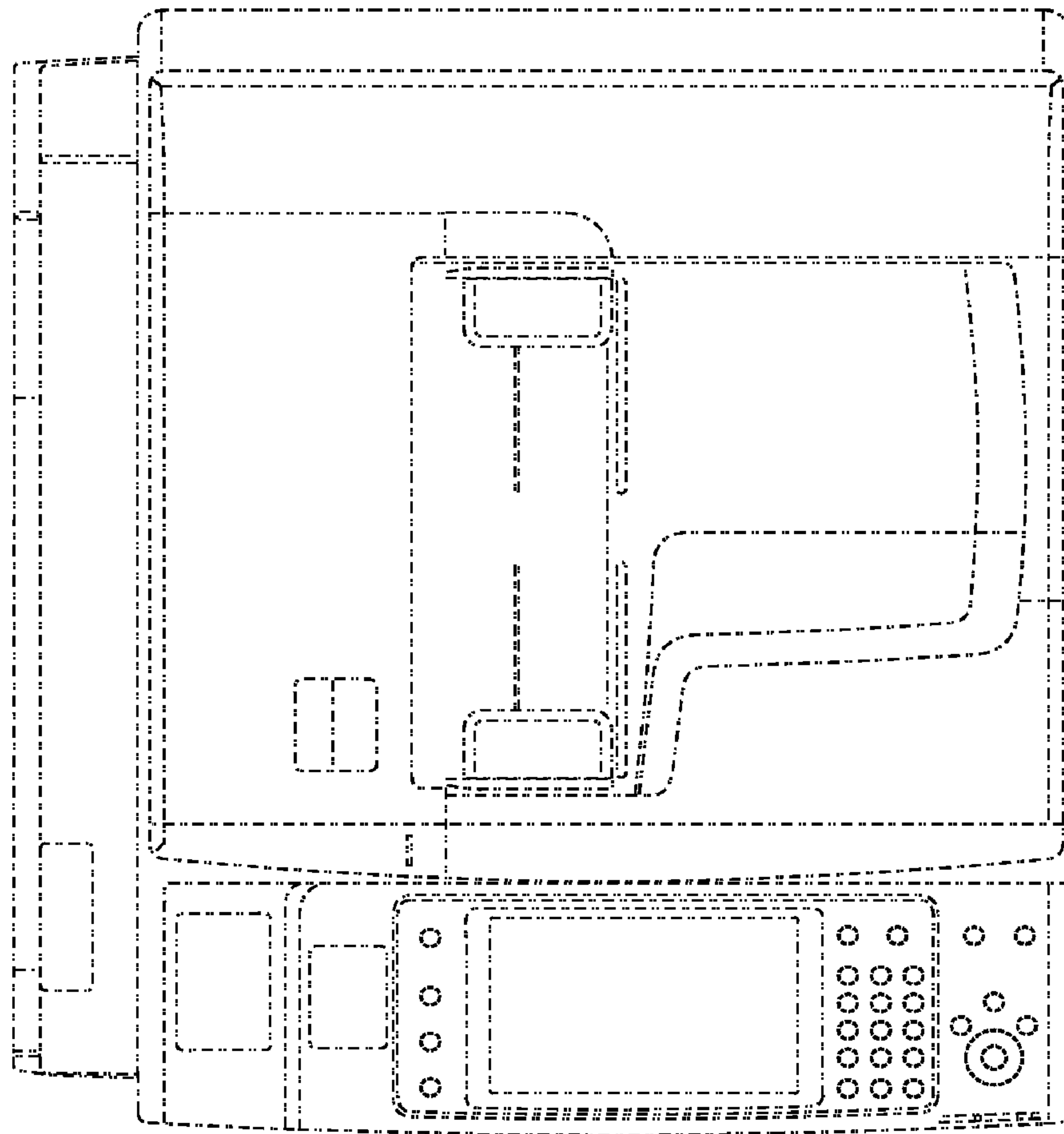


FIG. 6

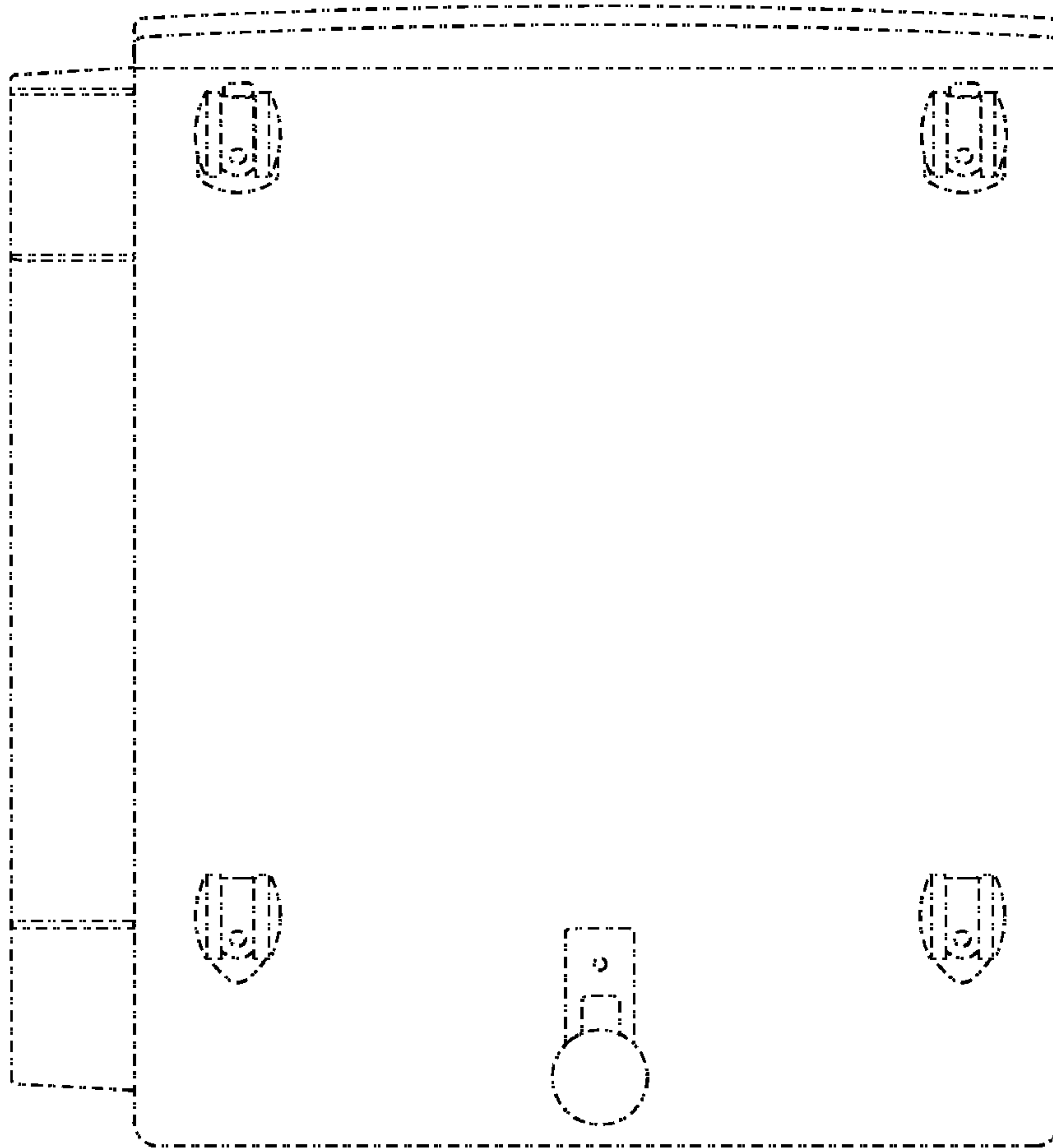


FIG. 7