



US00D619636S

(12) **United States Design Patent**
Magal

(10) **Patent No.:** **US D619,636 S**

(45) **Date of Patent:** **** Jul. 13, 2010**

(54) **PORTION OF SUNGLASSES**

(76) Inventor: **Geoff Magal**, 64-35 Yellowstone Blvd.,
Apt. 5H, Forest Hills, NY (US) 11375

(**) Term: **14 Years**

(21) Appl. No.: **29/345,893**

(22) Filed: **Oct. 23, 2009**

(51) **LOC (9) Cl.** **16-06**

(52) **U.S. Cl.** **D16/306**

(58) **Field of Classification Search** D16/101,
D16/300-342; D29/109-110; D24/110.2;
351/41, 44, 51-52, 62, 158, 92, 103-123,
351/140, 153, 45-46; 2/426-432, 447-449,
2/441, 434-437, 13, 15; D21/483, 659-661
See application file for complete search history.

(56) **References Cited**

U.S. PATENT DOCUMENTS

1,003,889 A * 9/1911 Edmonds 351/53

D407,734 S * 4/1999 Bentley D16/306

* cited by examiner

Primary Examiner—Raphael Barkai

(74) *Attorney, Agent, or Firm*—Myers Wolin, LLC

(57) **CLAIM**

The ornamental design for a portion of sunglasses, as shown and described.

DESCRIPTION

FIG. 1 is a front view thereof;

FIG. 2 is a rear view thereof;

FIG. 3 is a right side elevation view thereof;

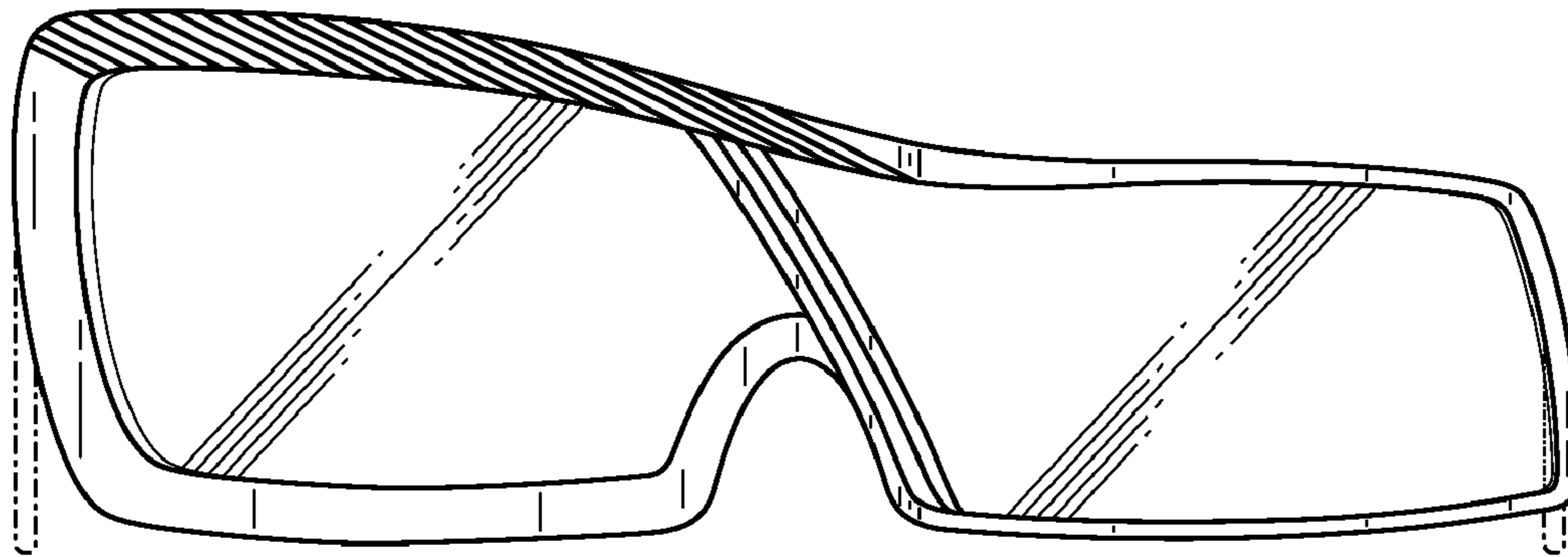
FIG. 4 is a left side elevation view thereof;

FIG. 5 is a top view thereof; and,

FIG. 6 is a bottom view thereof.

The broken lines are for purposes of illustration and form no part of the claimed design.

1 Claim, 2 Drawing Sheets



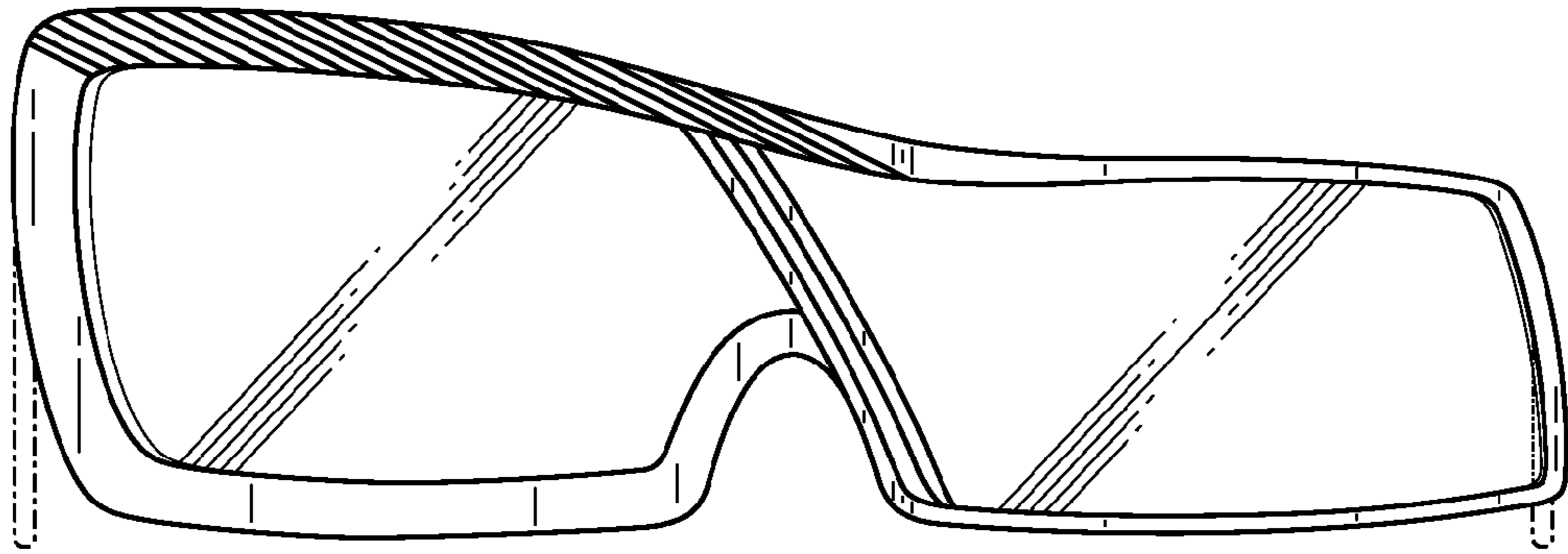


FIG. 1

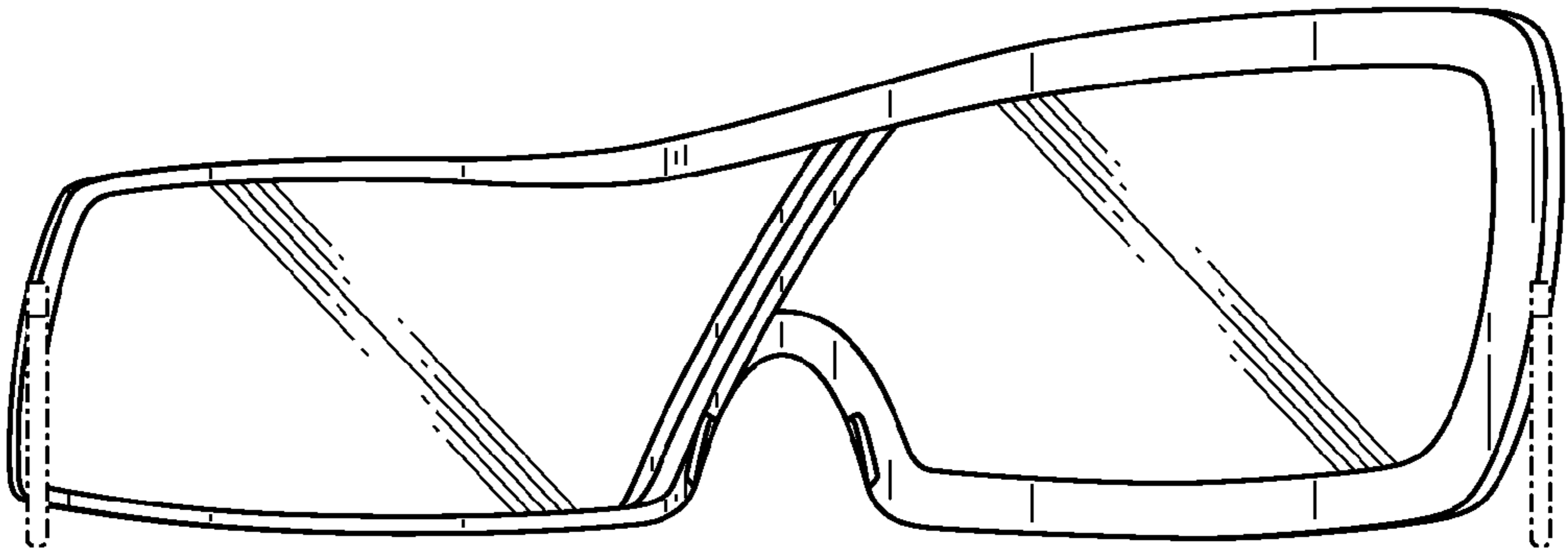


FIG. 2



FIG. 3



FIG. 4

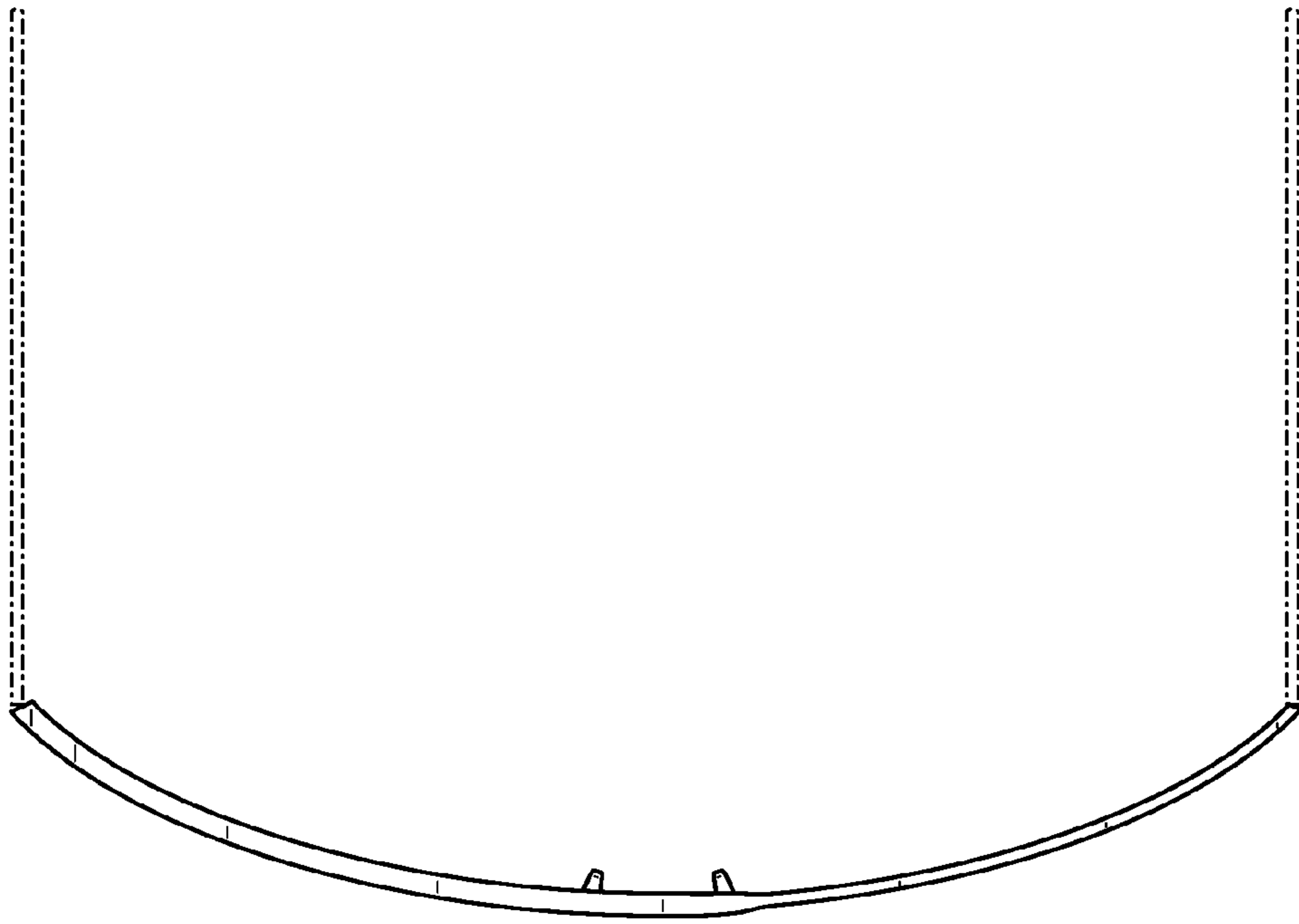


FIG. 5

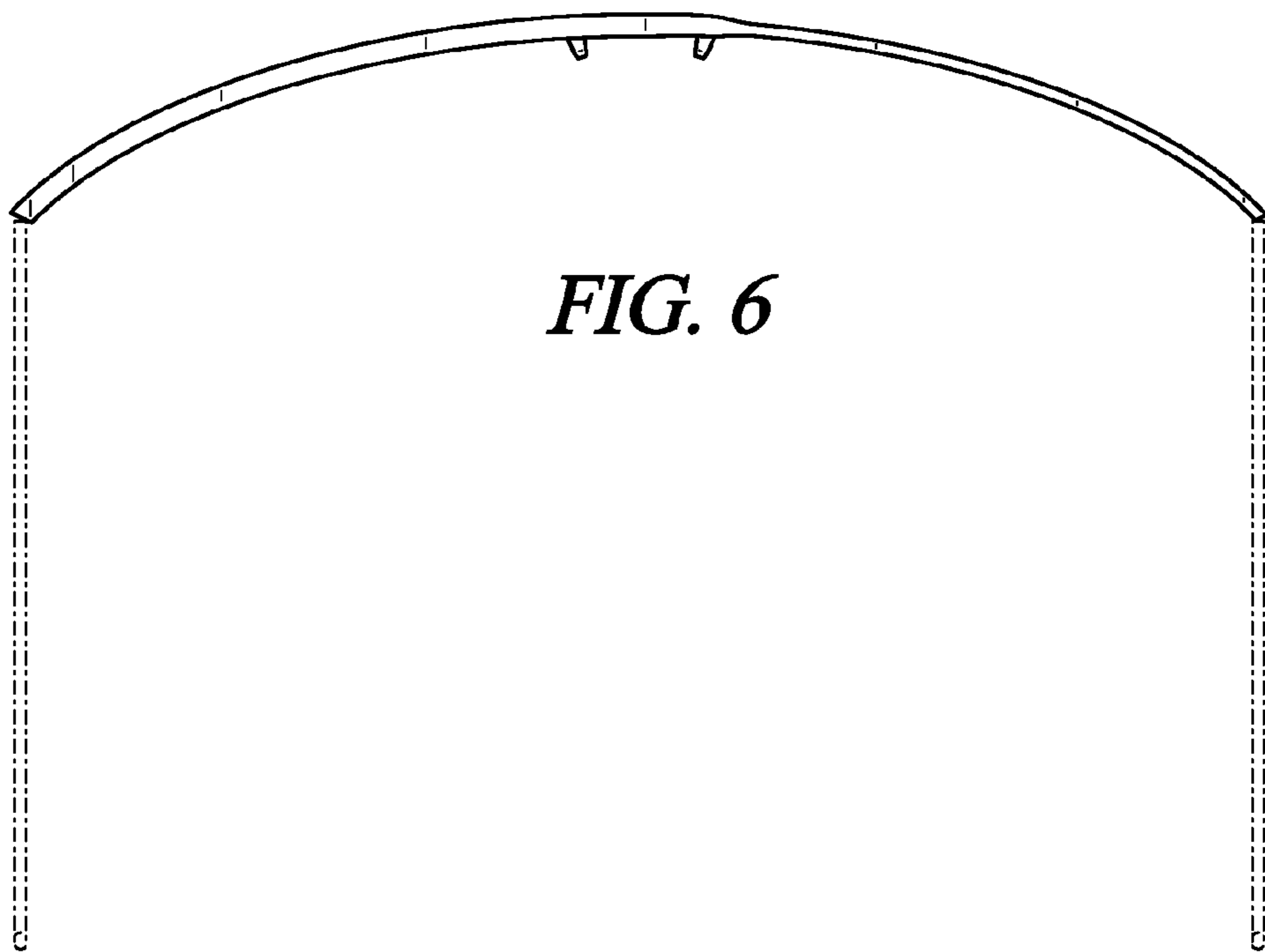


FIG. 6