



US00D619633S

(12) **United States Design Patent**
Chen et al.

(10) **Patent No.:** **US D619,633 S**
(45) **Date of Patent:** **** Jul. 13, 2010**

(54) **OPTICAL LENS**

(75) Inventors: **Tien-Pao Chen**, Miao-Li Hsien (TW);
Chih-Ming Lai, Miao-Li Hsien (TW)

(73) Assignee: **Foxsemicon Integrated Technology, Inc.**, Chu-Nan, Miao-Li Hsien (TW)

(**) Term: **14 Years**

(21) Appl. No.: **29/342,724**

(22) Filed: **Aug. 31, 2009**

(30) **Foreign Application Priority Data**

May 27, 2009 (CN) 2009 3 0304985

(51) **LOC (9) Cl.** **16-06**

(52) **U.S. Cl.** **D16/135; D16/101**

(58) **Field of Classification Search** D16/130,
D16/134, 135, 136, 137, 101; 359/442, 642,
359/710, 506, 669, 647, 670, 737, 833, 806,
359/802, 803, 804, 805, 808, 811, 813, 814,
359/831, 837; D14/217

See application file for complete search history.

(56) **References Cited**

U.S. PATENT DOCUMENTS

2,151,573 A * 3/1939 Stanley 359/710
D138,022 S * 6/1944 Stolz D16/135
D138,560 S * 8/1944 Morehead D6/309

D145,638 S * 9/1946 Rosenberg D16/135
2,442,564 A * 6/1948 Heyer 359/506
2,533,628 A * 12/1950 Rosenberg 40/107
3,704,938 A * 12/1972 Faselow 359/806
3,751,138 A * 8/1973 Humphrey 359/669
5,973,853 A * 10/1999 Gaebe et al. 359/668
6,620,486 B2 * 9/2003 Kanematsu et al. 428/156
7,483,217 B2 * 1/2009 Huang et al. 359/642
7,570,439 B2 * 8/2009 Bogdan et al. 359/811
D611,080 S * 3/2010 Chen et al. D16/101

* cited by examiner

Primary Examiner—Paula Greene

(74) *Attorney, Agent, or Firm*—Raymond J. Chew

(57) **CLAIM**

The ornamental design for an optical lens, as shown.

DESCRIPTION

FIG. 1 is a perspective view of an optical lens showing our new design;

FIG. 2 is a front elevational view thereof;

FIG. 3 is a rear elevational view thereof;

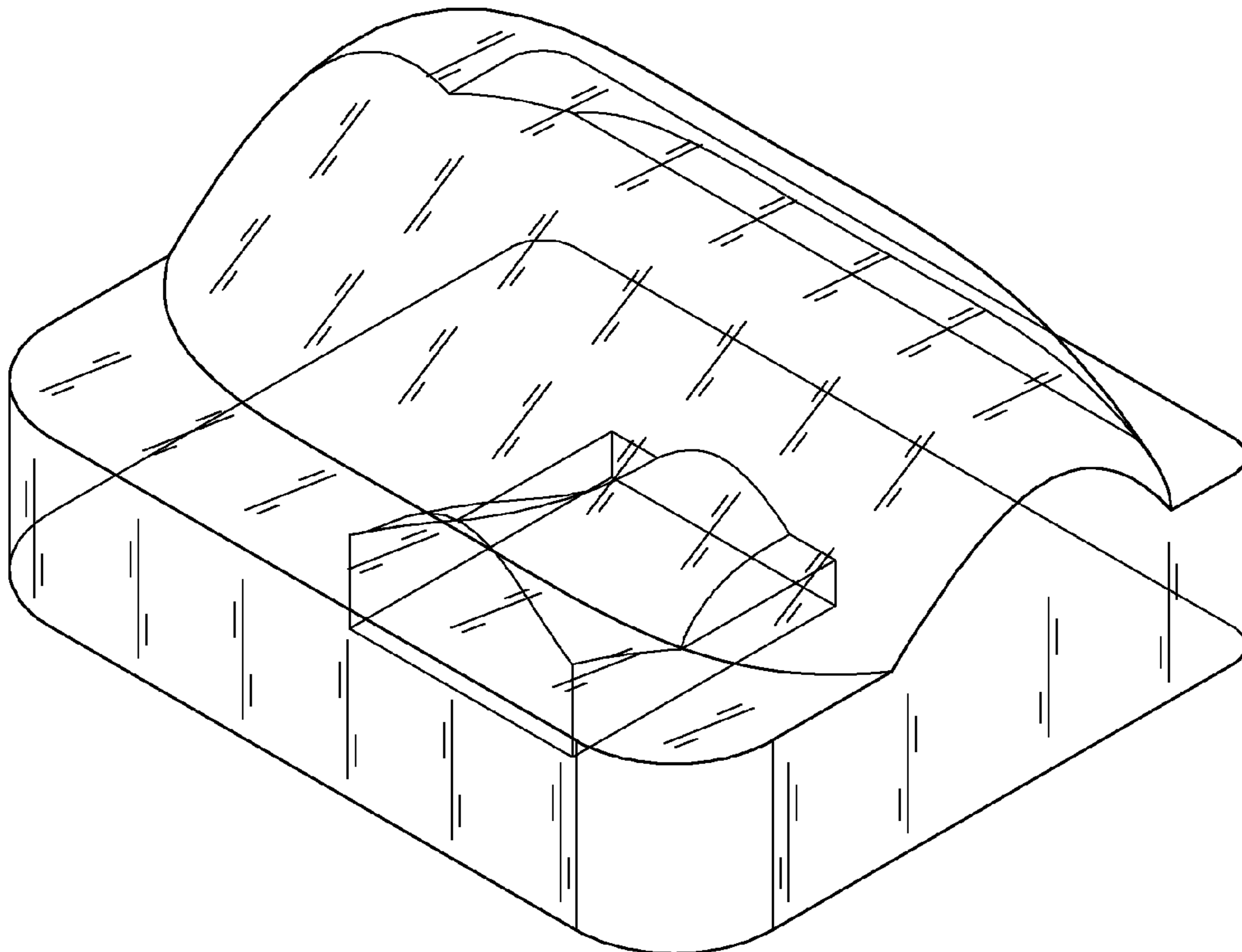
FIG. 4 is a left side elevational view thereof;

FIG. 5 is a right side elevational view thereof;

FIG. 6 is a top plan view thereof; and,

FIG. 7 is a bottom plan view thereof.

1 Claim, 7 Drawing Sheets



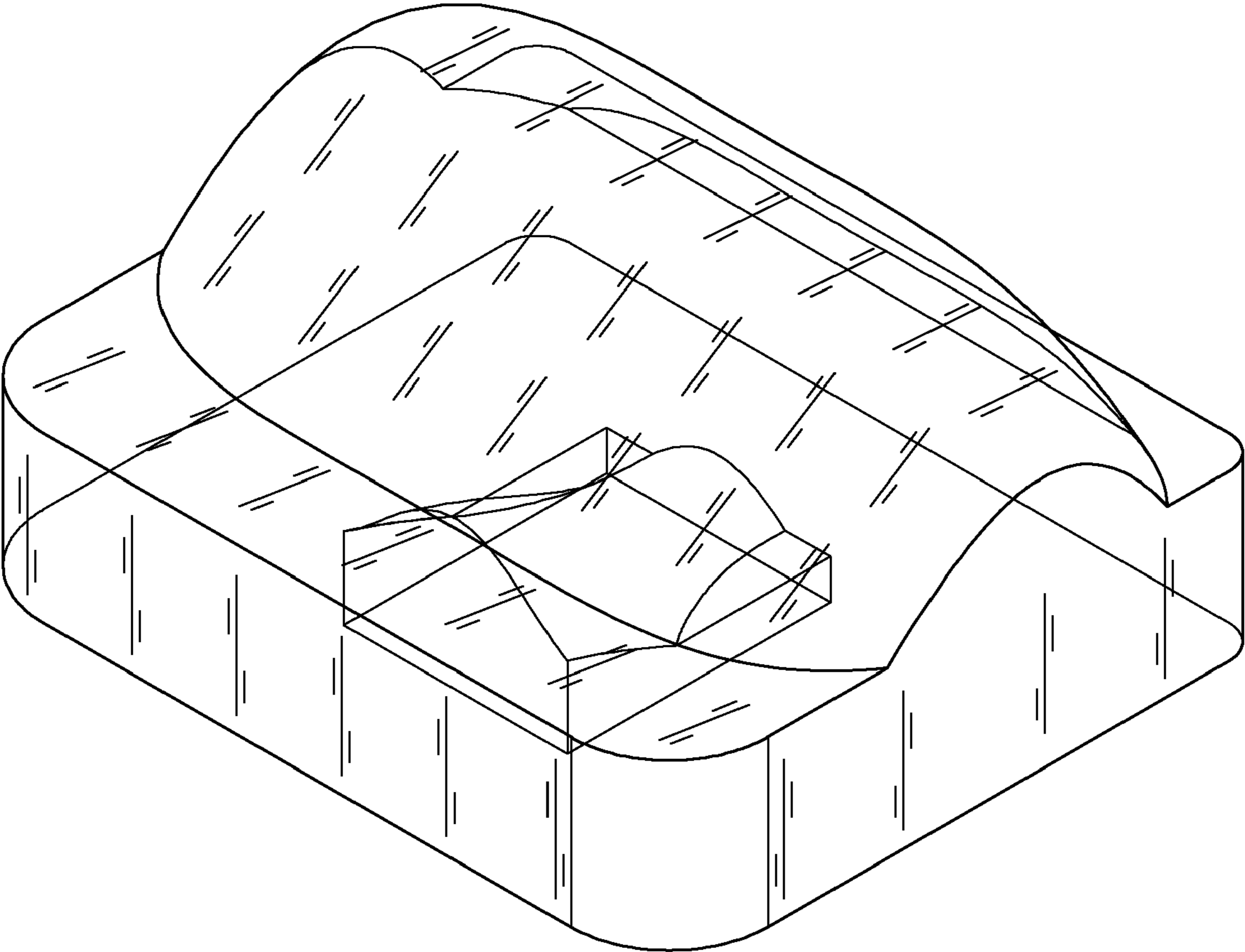


FIG. 1

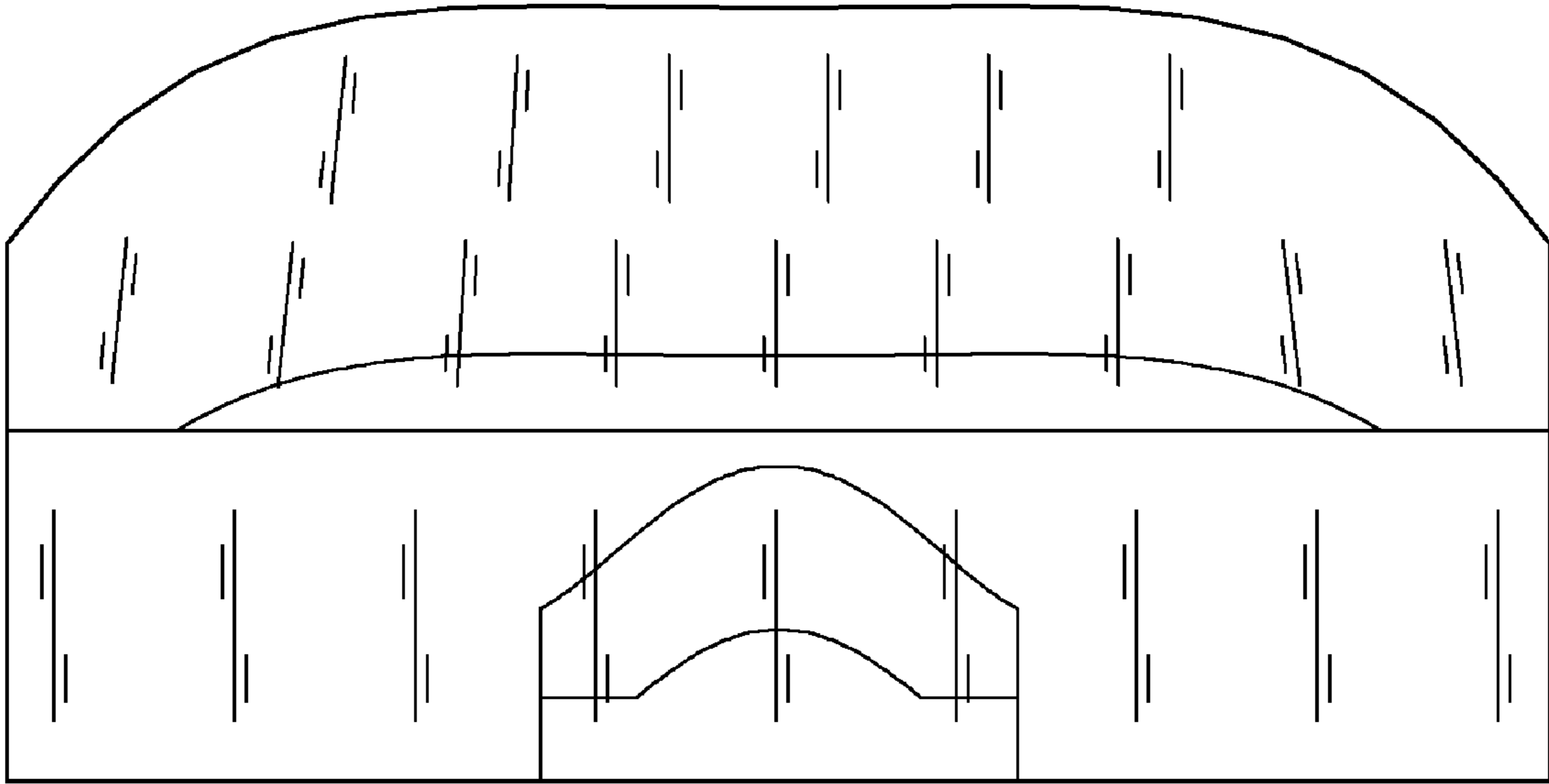


FIG. 2

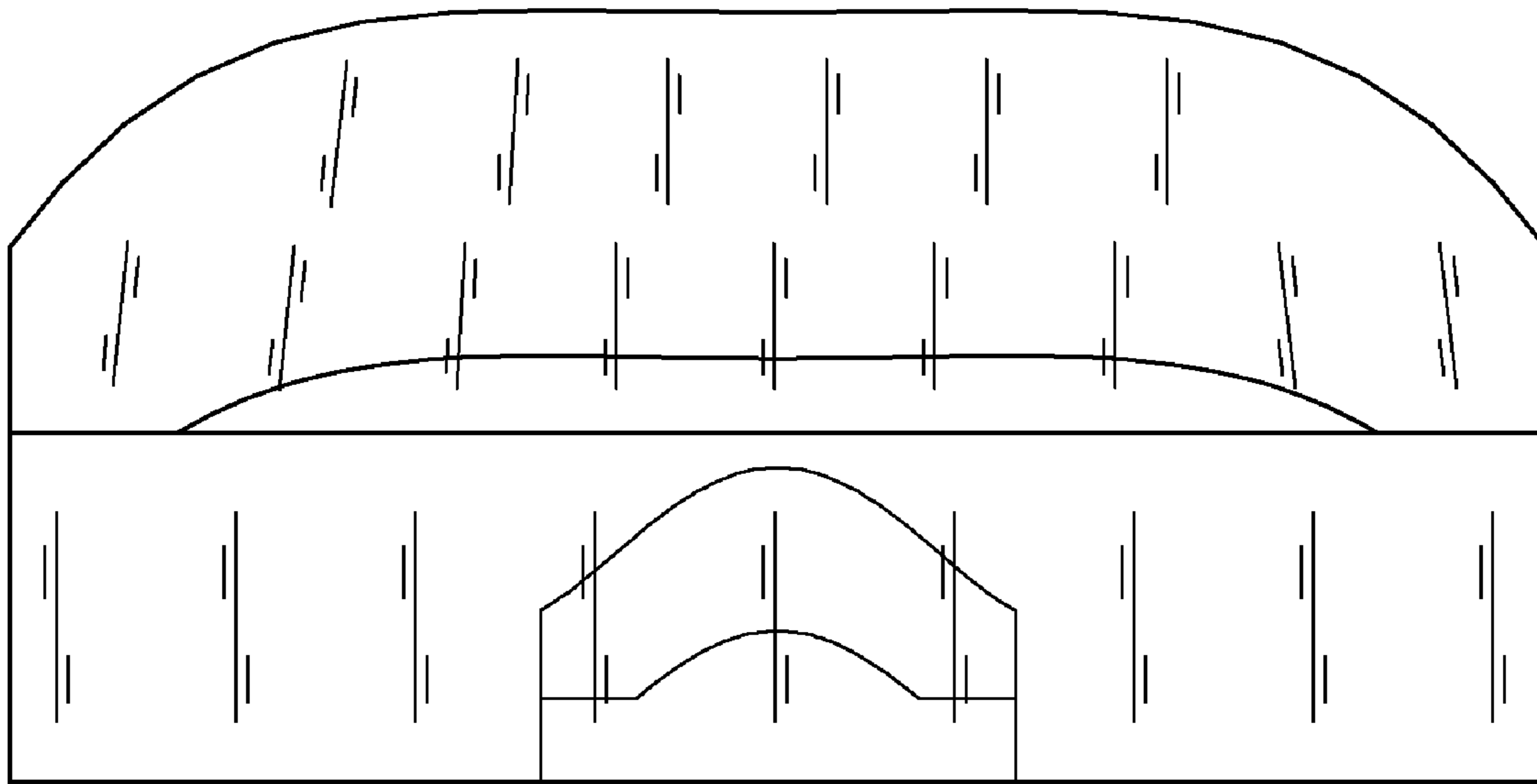


FIG. 3

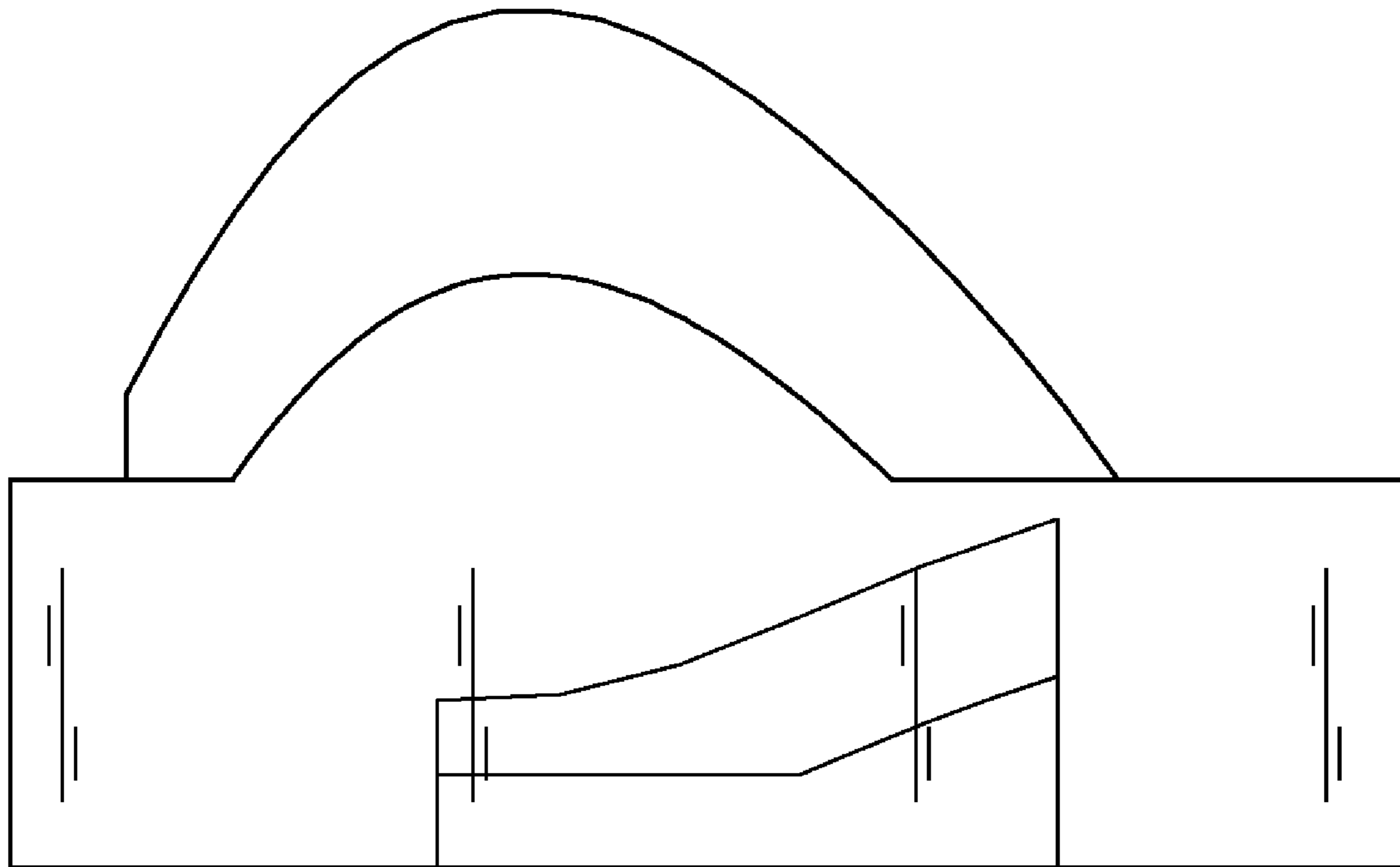


FIG. 4

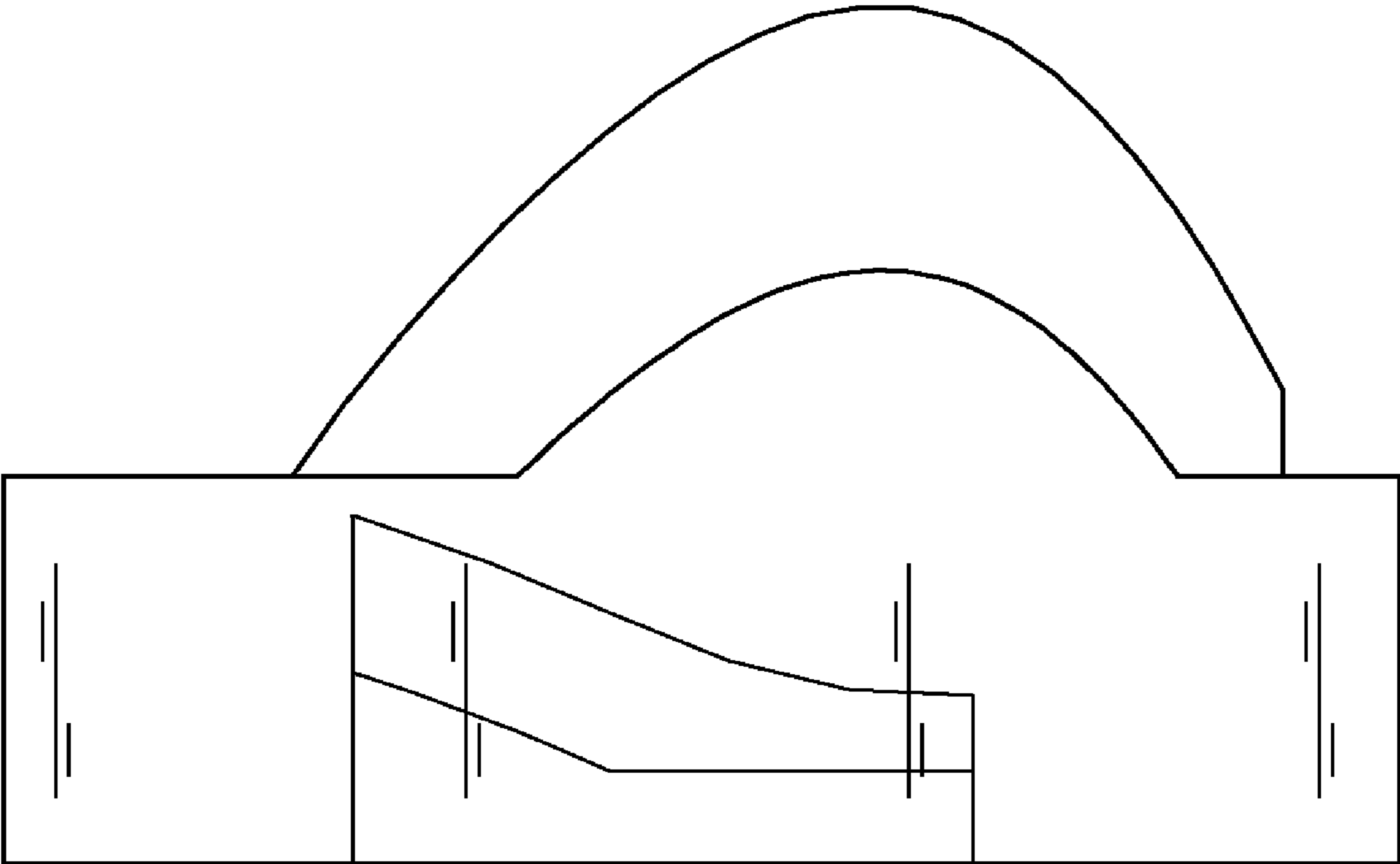


FIG. 5

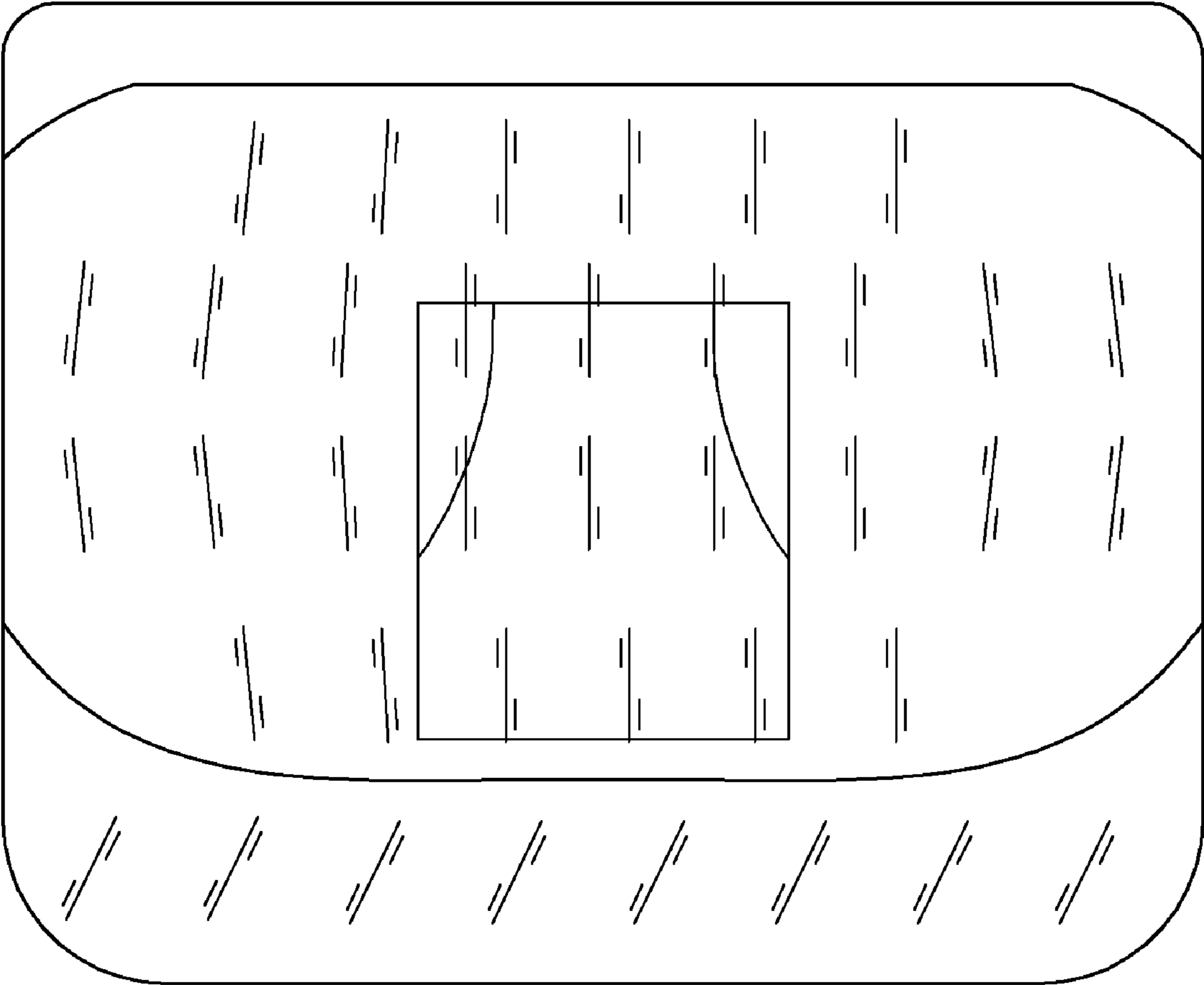


FIG. 6

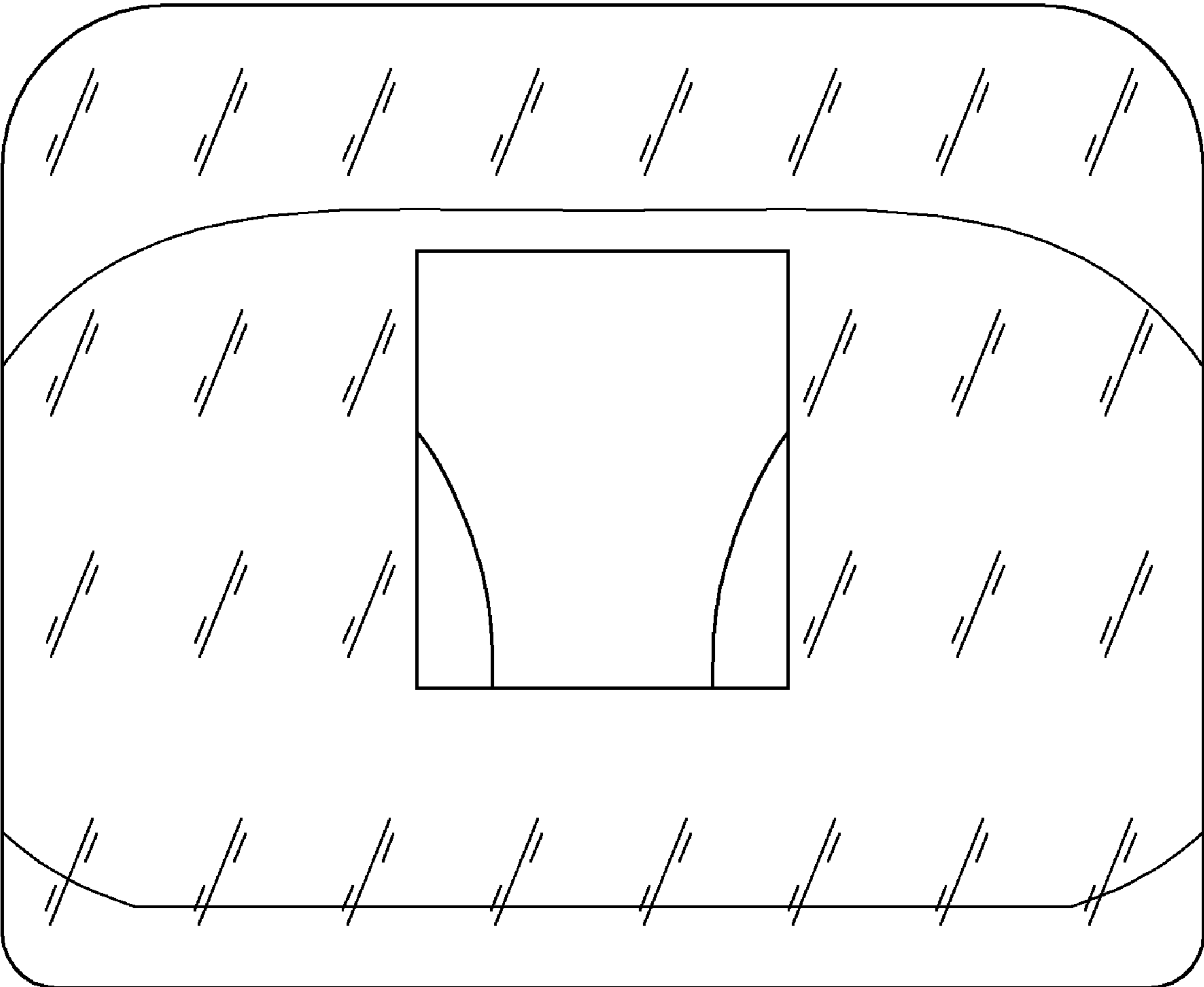


FIG. 7