



US00D619632S

(12) **United States Design Patent**
Feng

(10) **Patent No.:** **US D619,632 S**
(45) **Date of Patent:** **** Jul. 13, 2010**

(54) **MANIPULATOR**

2010/0037720 A1* 2/2010 Rosheim 74/490.03
2010/0043577 A1* 2/2010 Rosheim 74/5.4

(75) Inventor: **Yong Feng**, Shenzhen (CN)

* cited by examiner

(73) Assignee: **Hon Hai Precision Industry Co., Ltd.**,
Tu-Cheng, Taipei Hsien (TW)

Primary Examiner—Sandra Snapp
Assistant Examiner—Patricia Palasik

(**) Term: **14 Years**

(74) *Attorney, Agent, or Firm*—Clifford O. Chi

(21) Appl. No.: **29/350,622**

(57) **CLAIM**

(22) Filed: **Nov. 20, 2009**

The ornamental design for a manipulator, as shown and described.

(30) **Foreign Application Priority Data**

DESCRIPTION

Sep. 15, 2009 (CN) 2009 3 0316101

(51) **LOC (9) Cl.** **15-99**

(52) **U.S. Cl.** **D15/199**

(58) **Field of Classification Search** D15/199;
D21/578; 74/490.01, 490.03, 490.05; 414/735;
700/245; 901/28

See application file for complete search history.

FIG. 1 is a perspective view of a first operative position of a manipulator showing my design;

FIG. 2 is a front elevational view thereof;

FIG. 3 is a rear elevational view thereof;

FIG. 4 is a left side elevational view thereof;

FIG. 5 is a right side elevational view thereof;

FIG. 6 is a top plan view thereof;

FIG. 7 is a bottom plan view thereof;

FIG. 8 is a second operative position of the manipulator in a front elevational view thereof; and,

FIG. 9 is a third operative position of the manipulator in a front elevational view thereof.

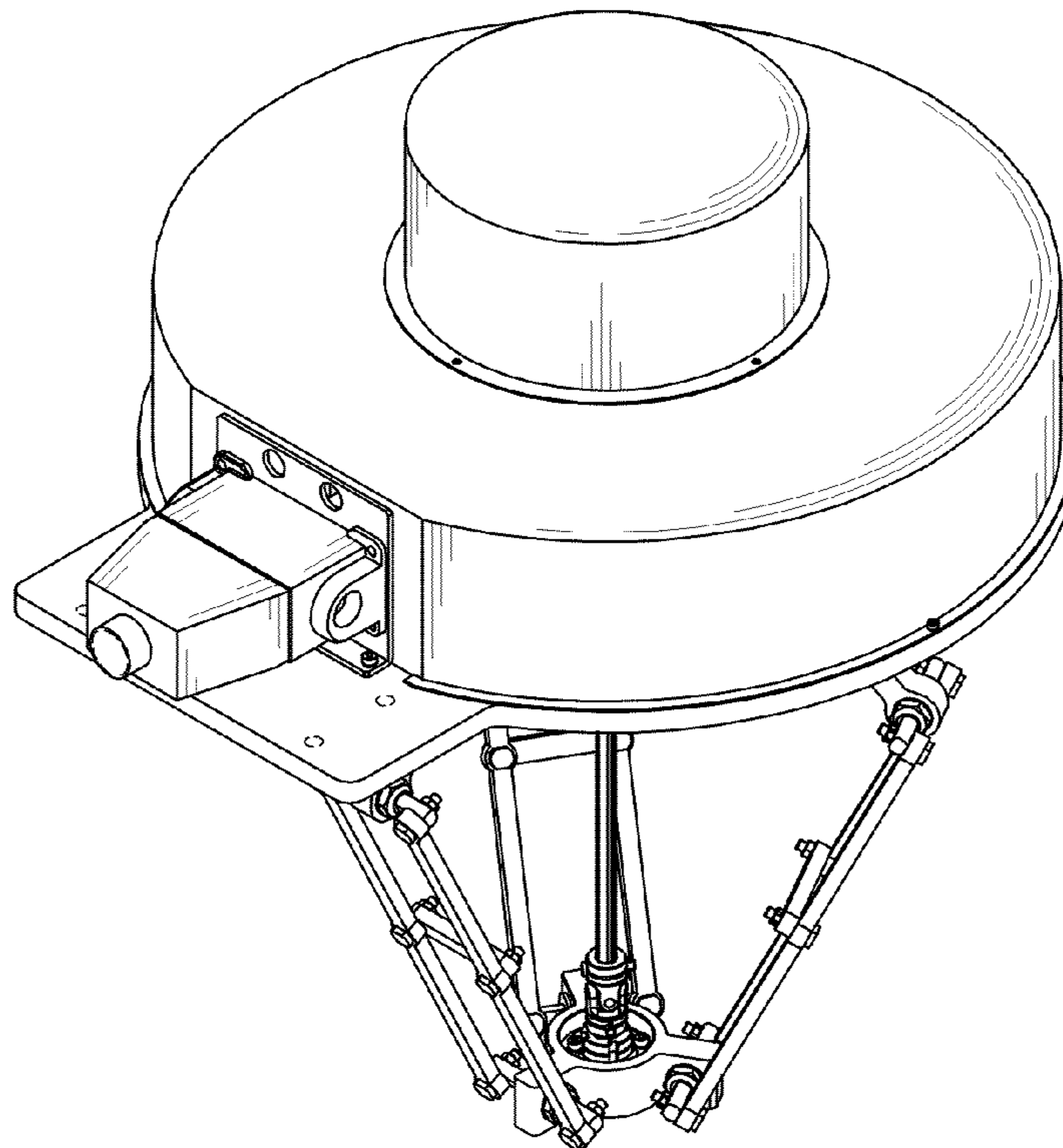
The broken lines are for illustrative purposes only and form no part of the claimed design.

(56) **References Cited**

U.S. PATENT DOCUMENTS

- 2,978,118 A * 4/1961 Goertz et al. 414/4
- 6,418,811 B1 * 7/2002 Rosheim 74/490.06
- 6,577,093 B1 * 6/2003 Hvittfeldt et al. 318/568.11
- D478,921 S * 8/2003 Kullborg et al. D15/199
- 6,822,407 B2 * 11/2004 Hunter 318/135
- 2006/0182602 A1 * 8/2006 Schuler et al. 414/735
- 2009/0084219 A1 * 4/2009 Rosheim 74/5 R
- 2009/0301798 A1 * 12/2009 Yang et al. 180/8.6

1 Claim, 9 Drawing Sheets



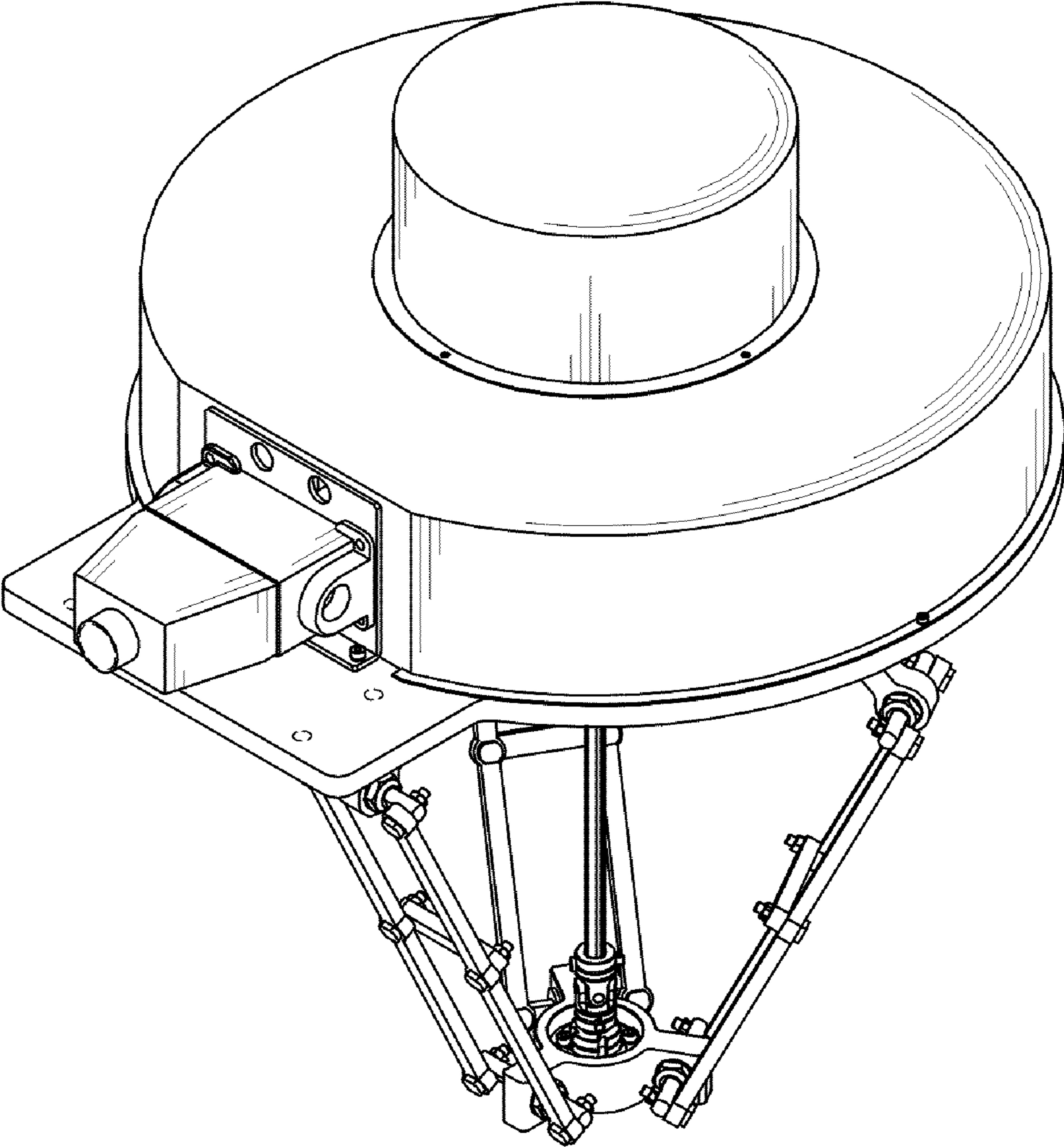


FIG. 1

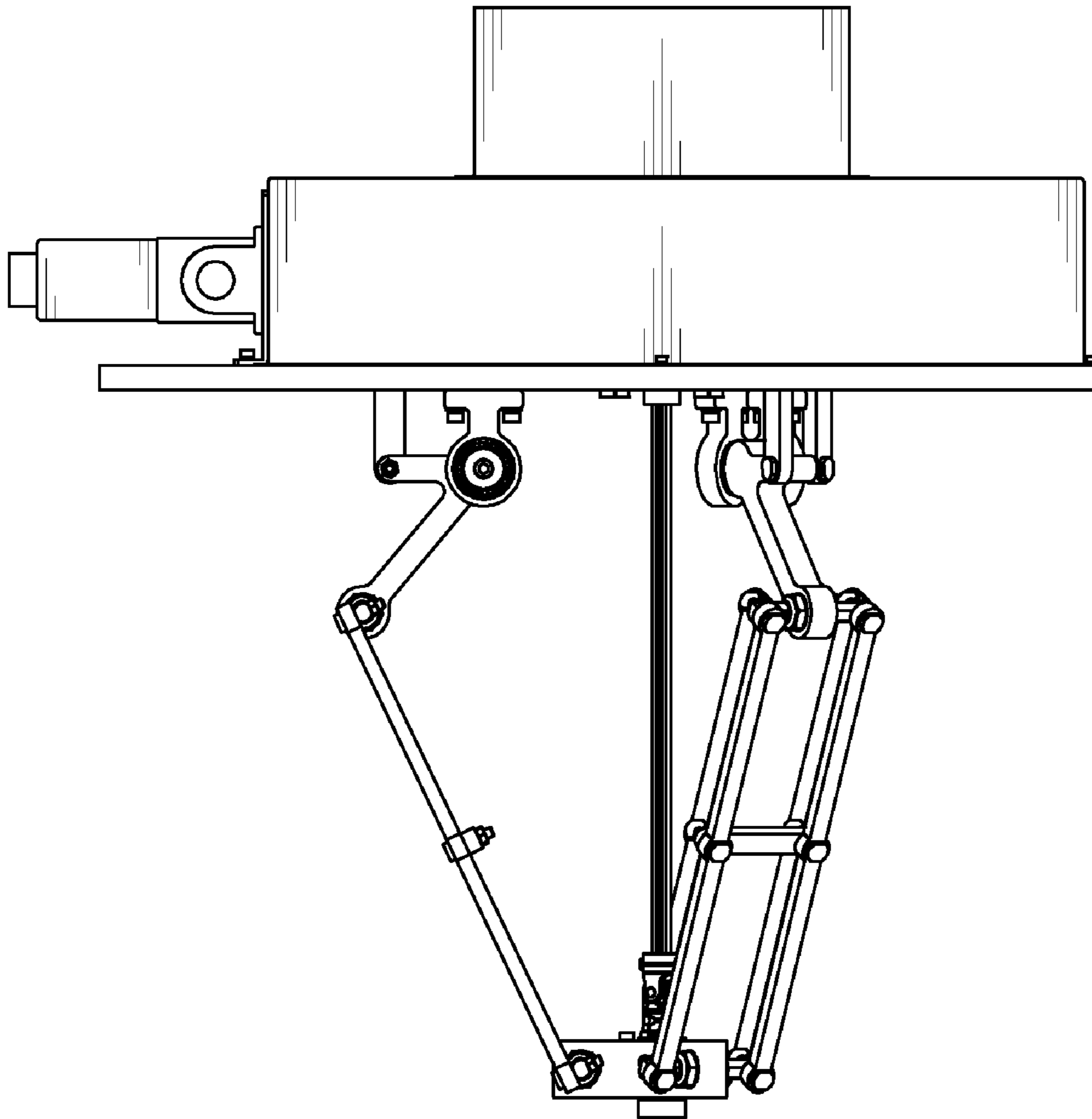


FIG. 2

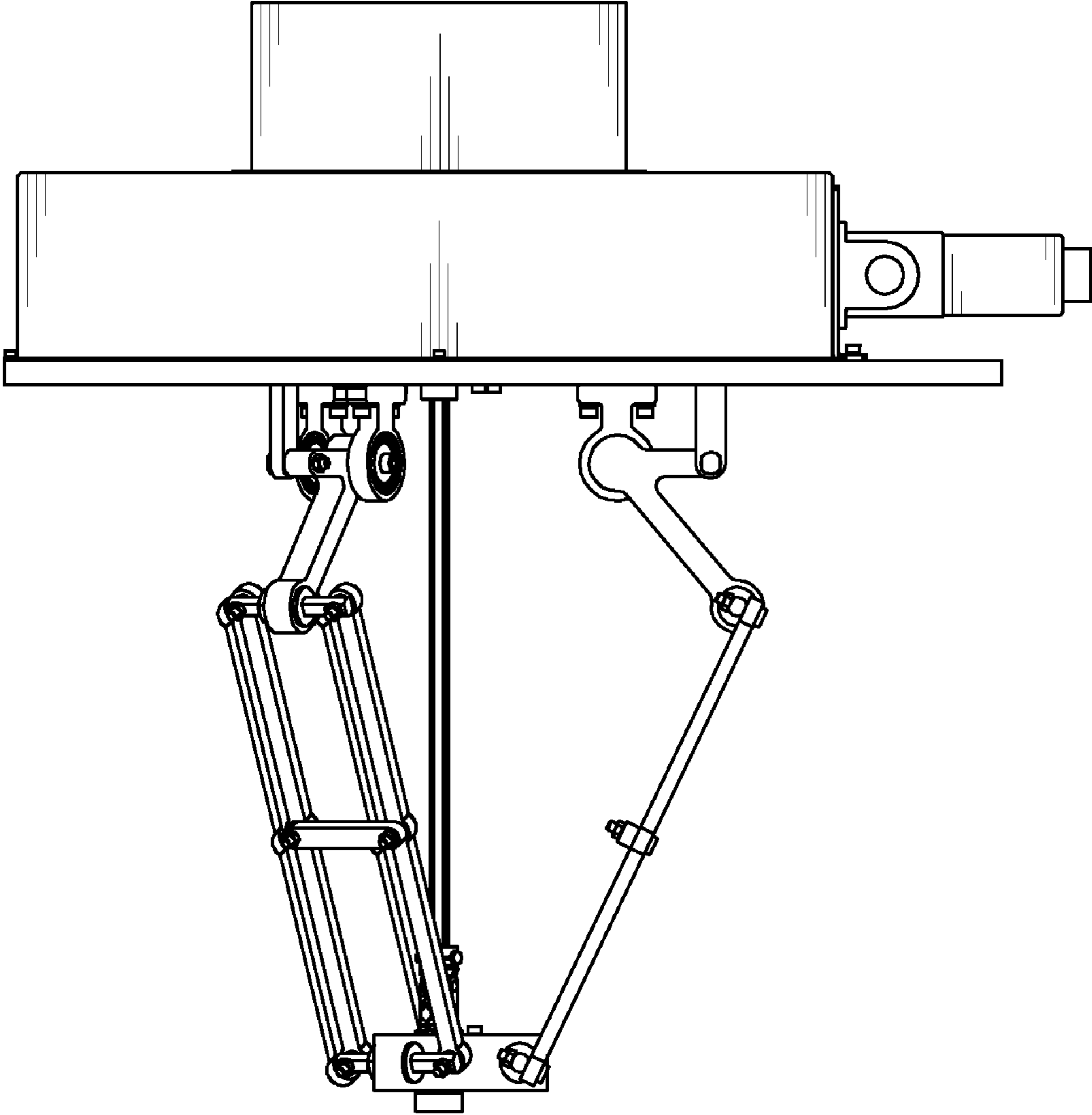


FIG. 3

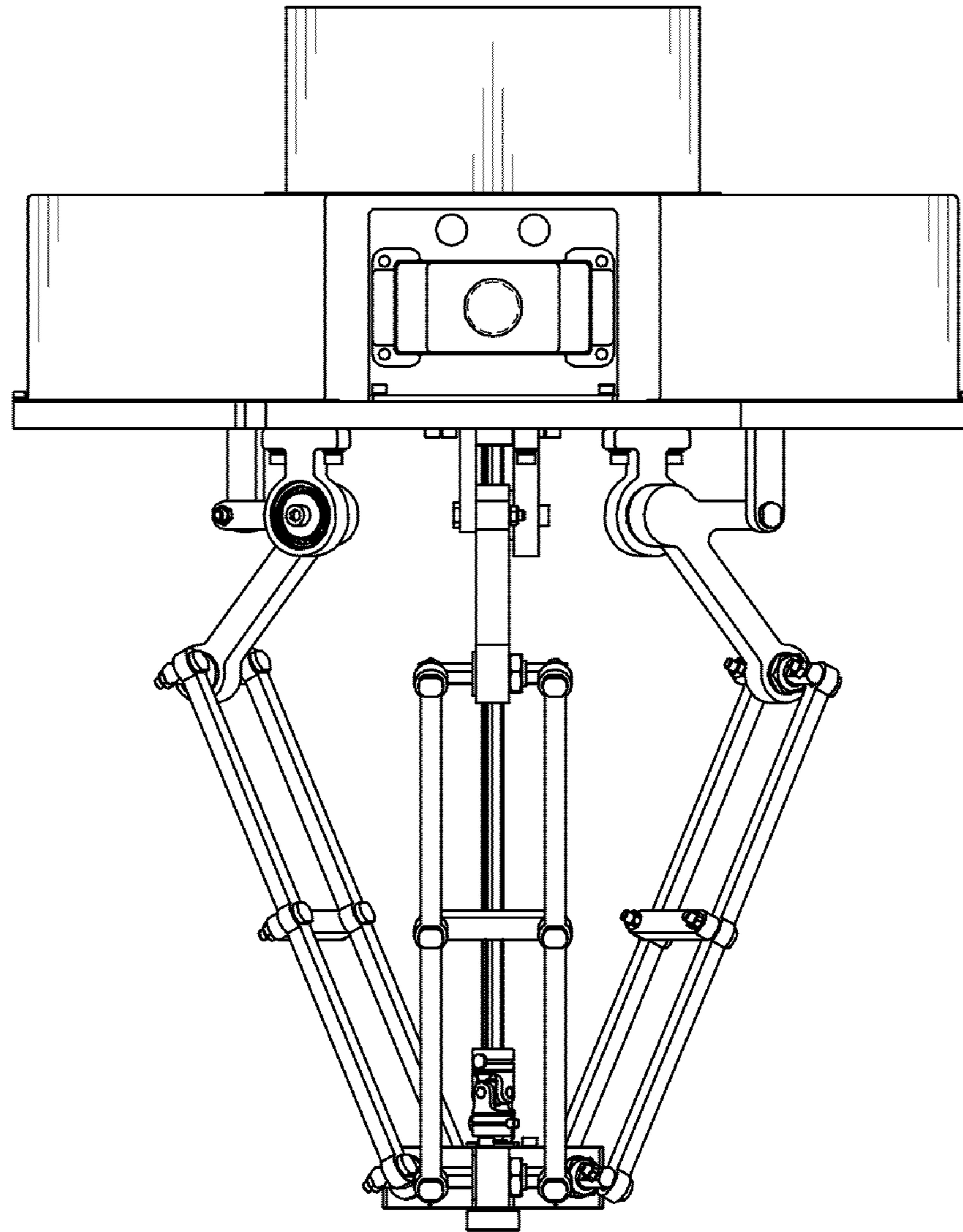


FIG. 4

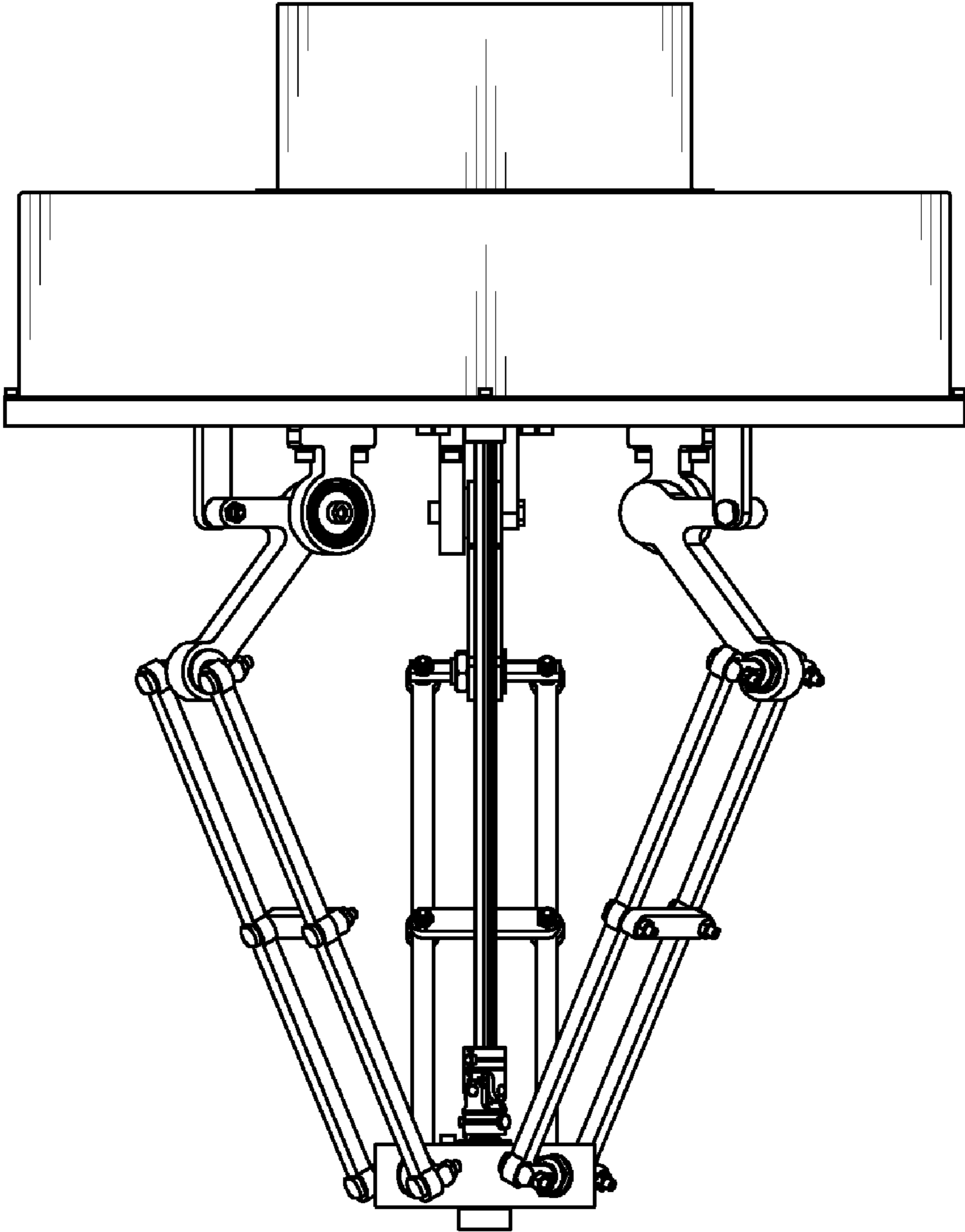


FIG. 5

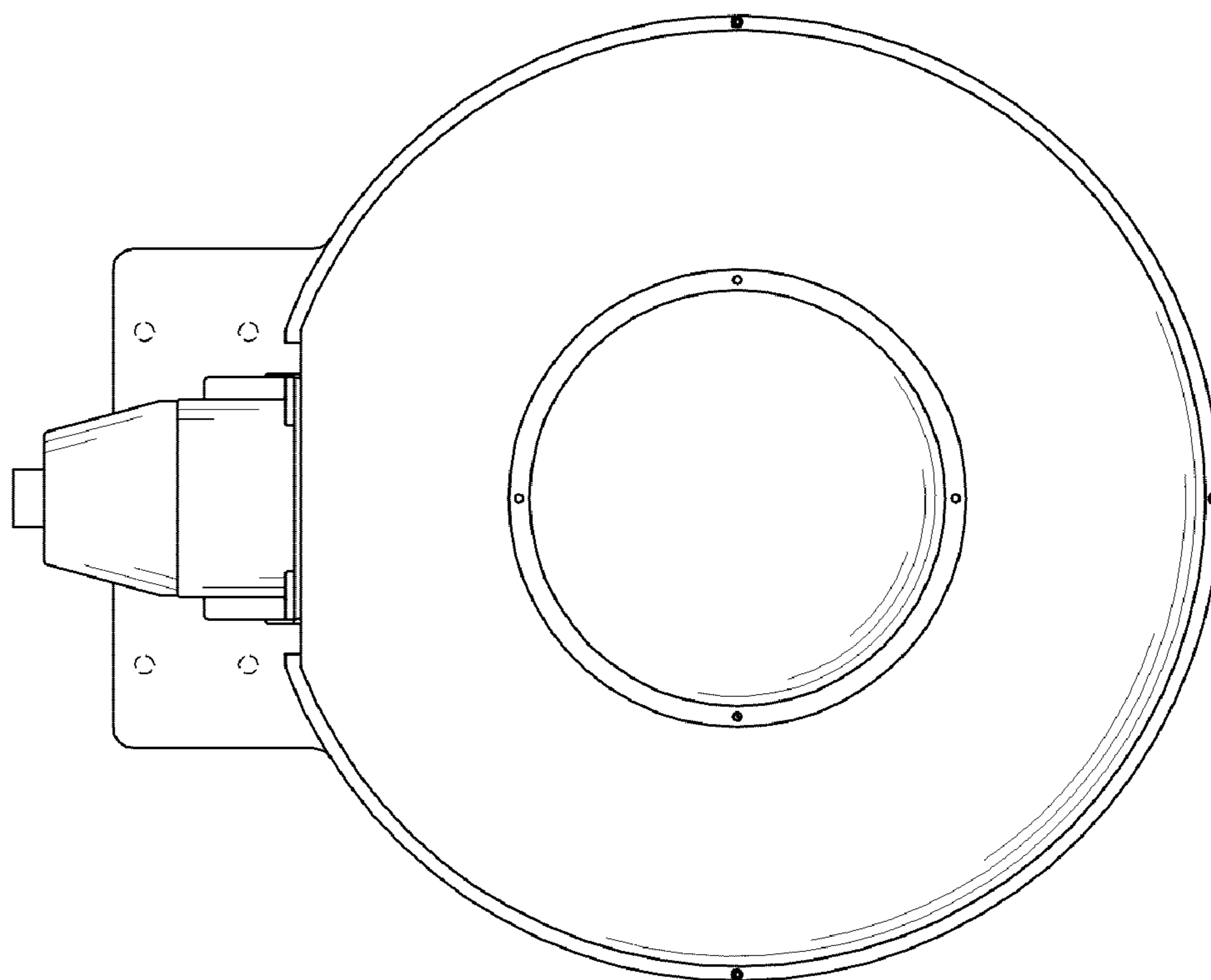


FIG. 6

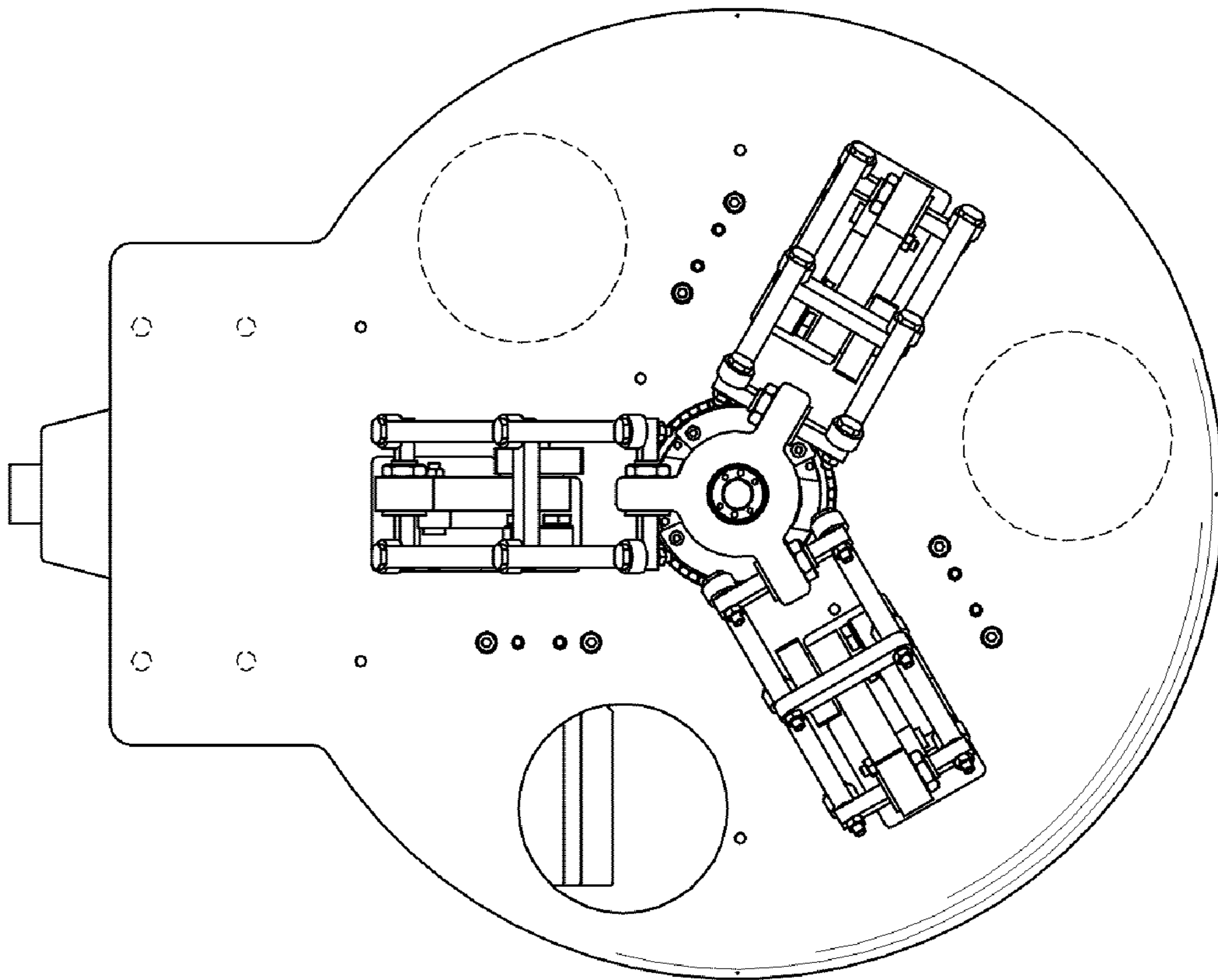


FIG. 7

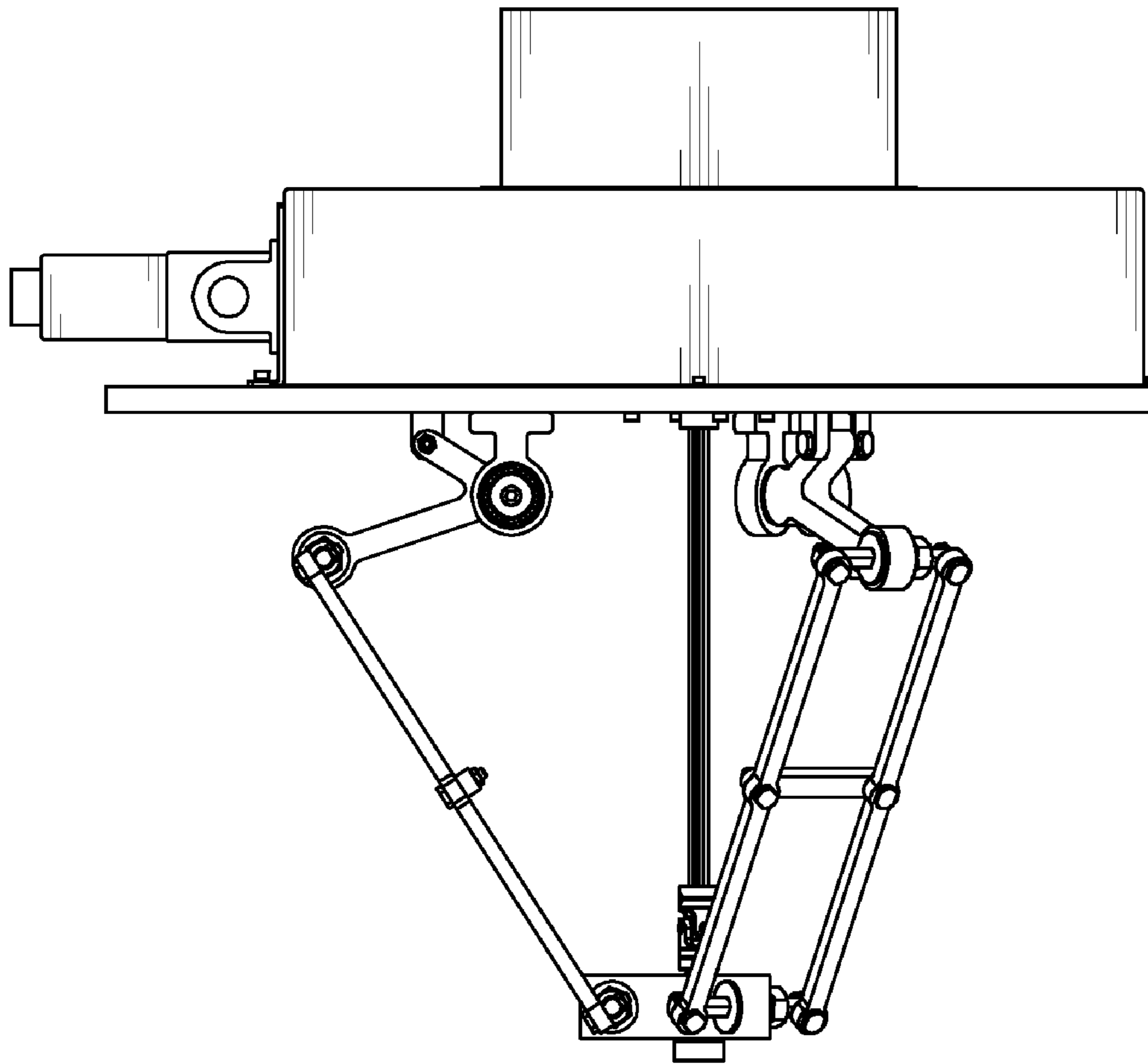


FIG. 8

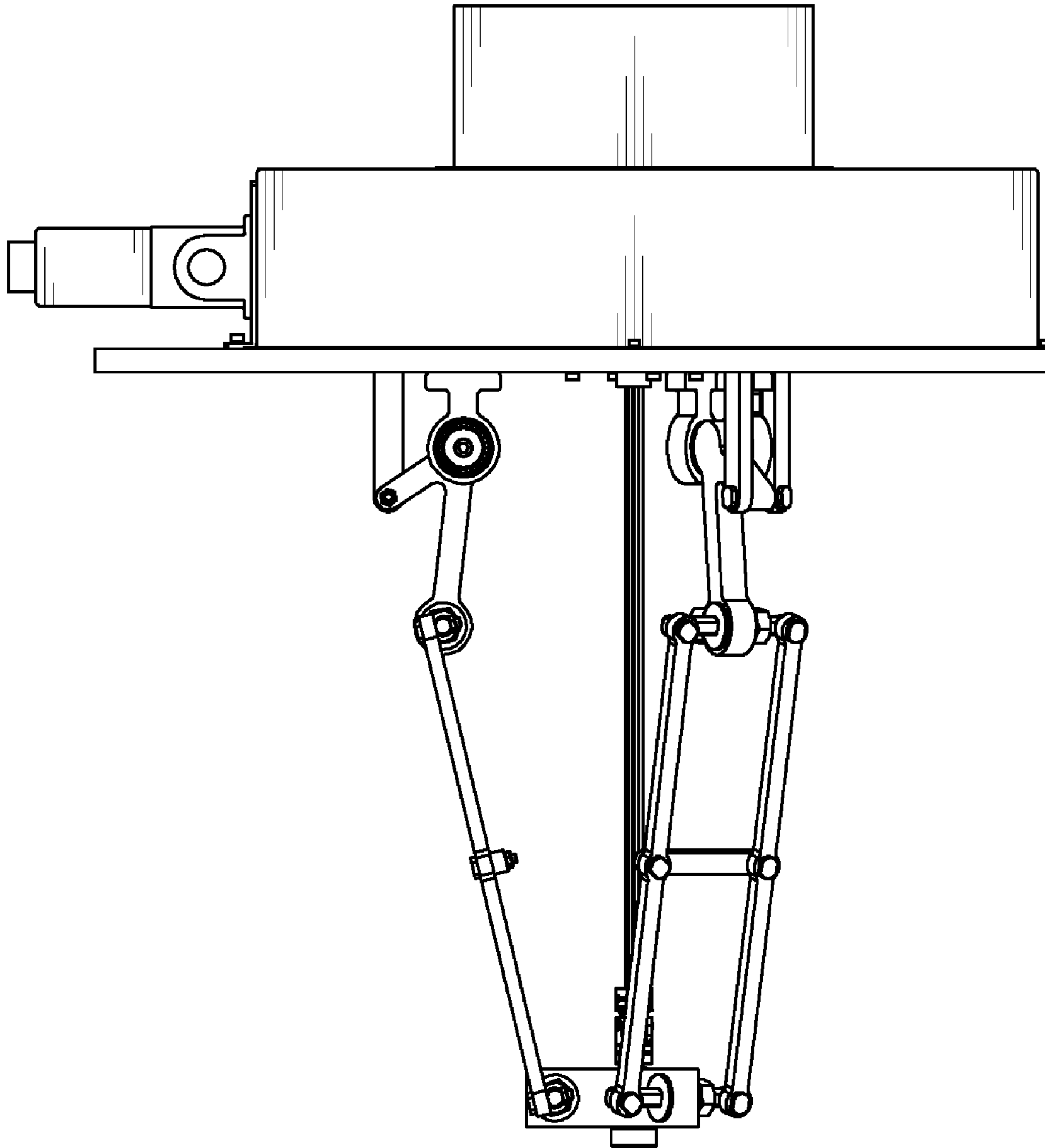


FIG. 9