



US00D619631S

(12) **United States Design Patent**
Otsuka

(10) **Patent No.:** **US D619,631 S**
(45) **Date of Patent:** **** Jul. 13, 2010**

(54) **SPEED REDUCER**

JP 07-298547 B2 11/1995
JP 2004-364364 A 12/2004

(75) Inventor: **Tomoyuki Otsuka**, Nagaokakyo (JP)

(73) Assignee: **Nidec-Shimpo Corporation**, Kyoto (JP)

(**) Term: **14 Years**

(21) Appl. No.: **29/332,380**

(22) Filed: **Feb. 13, 2009**

(51) **LOC (9) Cl.** **15-09**

(52) **U.S. Cl.** **D15/149**

(58) **Field of Classification Search** D15/148,
D15/149; 74/464; 395/395, 395.411, 464,
395/640; 427/249.19; 428/408; 475/83,
475/331, 344, 901

See application file for complete search history.

(56) **References Cited**

U.S. PATENT DOCUMENTS

| | | | |
|-------------------|---------|--------------------------|---------|
| D179,322 S * | 11/1956 | Schumb | D15/149 |
| D269,014 S * | 5/1983 | Tumidajewicz et al. | D15/149 |
| D406,596 S * | 3/1999 | Ziegler et al. | D15/148 |
| 6,432,022 B1 * | 8/2002 | Bayer | 475/331 |
| D479,541 S * | 9/2003 | Lannoch | D15/148 |
| D497,374 S * | 10/2004 | Wittenstein | D15/148 |
| D514,607 S * | 2/2006 | Wittenstein | D15/148 |
| 7,182,709 B2 * | 2/2007 | Christ et al. | 475/348 |
| D598,938 S * | 8/2009 | Mijno | D15/148 |
| 2004/0166986 A1 * | 8/2004 | Bayer et al. | 475/331 |

FOREIGN PATENT DOCUMENTS

JP 07-280042 B2 10/1995

OTHER PUBLICATIONS

Ueyama et al; "VRAF", "Able Servo Planetary Gear Reducers", Feb. 2004, 5000 copies, Nidec-Shimpo Corporation, published in America, Canada and Mexico.
Inoue et al; "VRSF", Able Reducers VRSF Series Flyer, Aug. 2008, 3000 copies, Nidec-Shimpo Corporation, published in Japan.

* cited by examiner

Primary Examiner—Sandra Snapp

Assistant Examiner—Patricia Palasik

(74) *Attorney, Agent, or Firm*—Pearne & Gordon LLP

(57) **CLAIM**

The ornamental design for a speed reducer, as shown and described.

DESCRIPTION

FIG. 1 is a front view, showing my new speed reducer.

FIG. 2 is a rear view thereof;

FIG. 3 is a left side view thereof;

FIG. 4 is a right side view thereof;

FIG. 5 is a top view thereof;

FIG. 6 is a bottom view thereof;

FIG. 7 is a first perspective view thereof; and,

FIG. 8 is a second perspective view thereof.

The broken lines in the drawings depict unclaimed environmental subject matter.

1 Claim, 8 Drawing Sheets

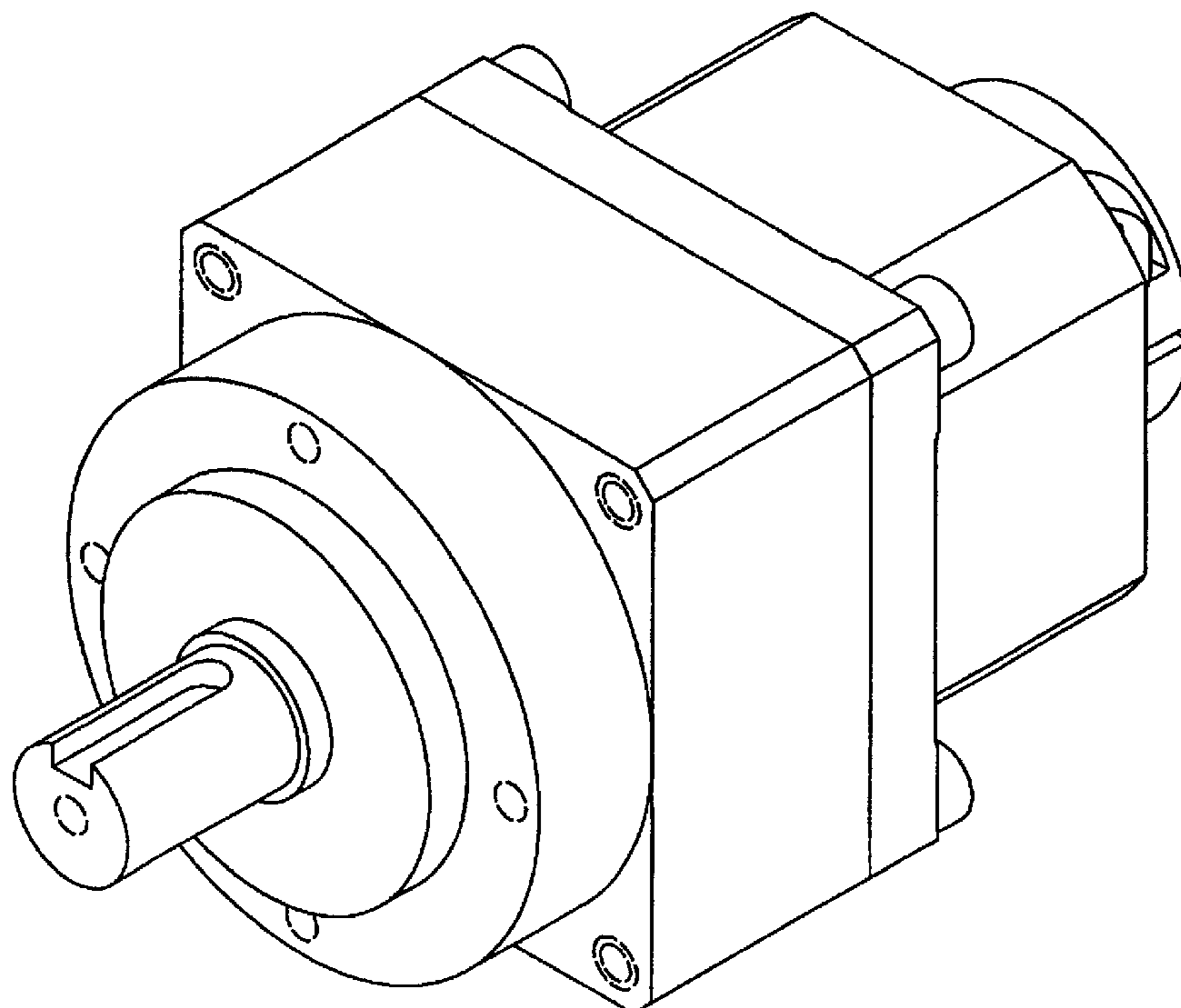


Fig. 1

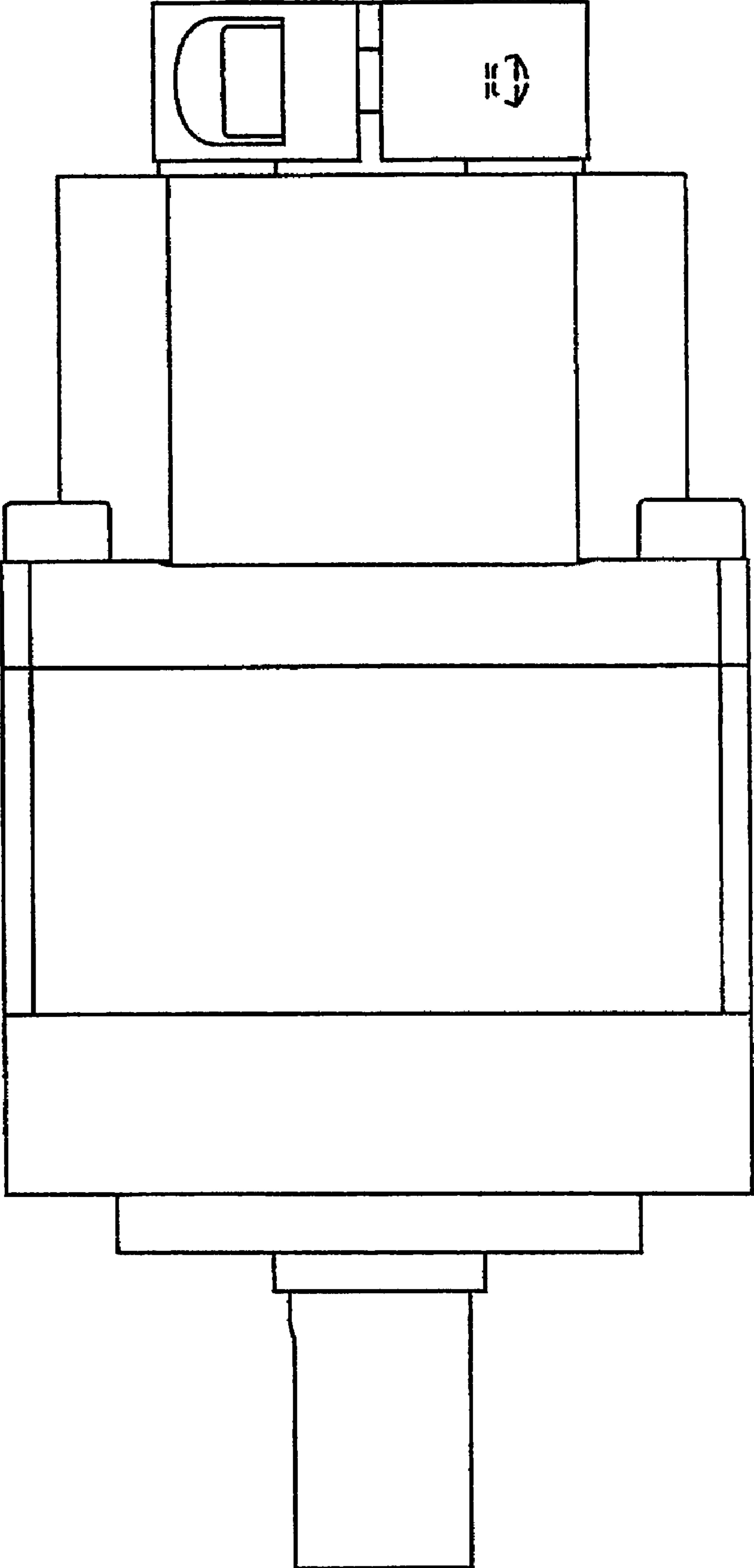


Fig. 2

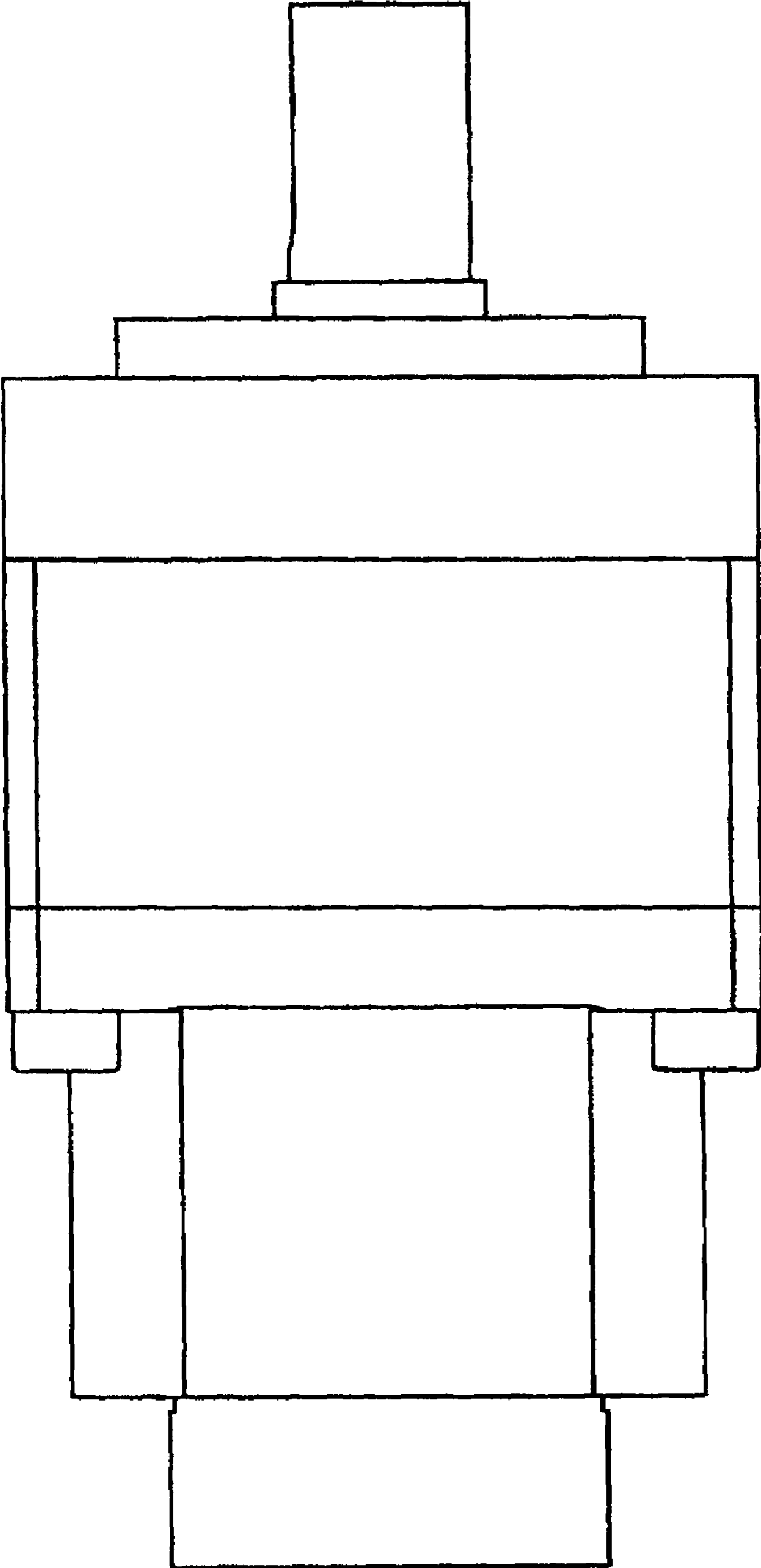


Fig. 3

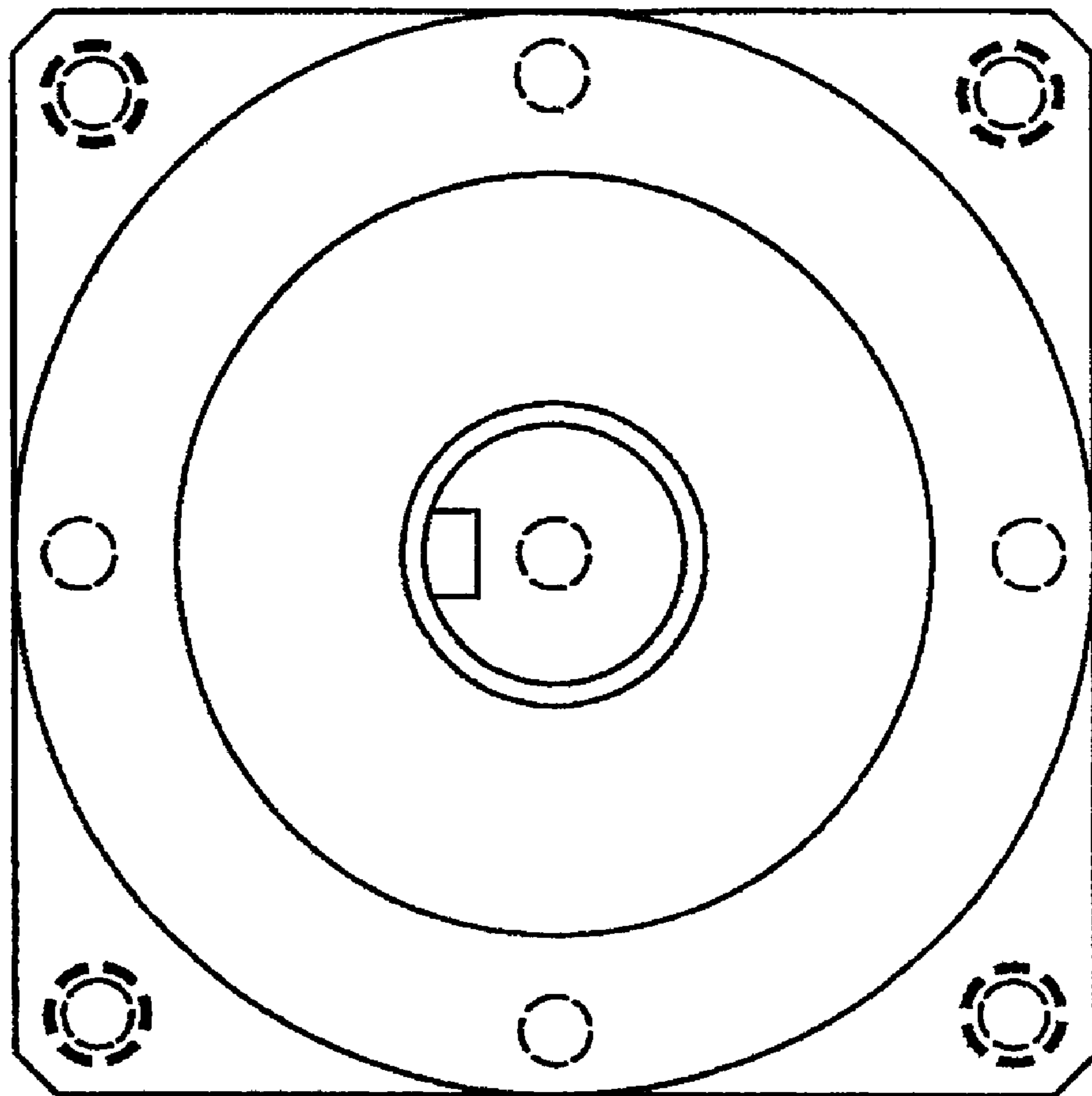


Fig. 4

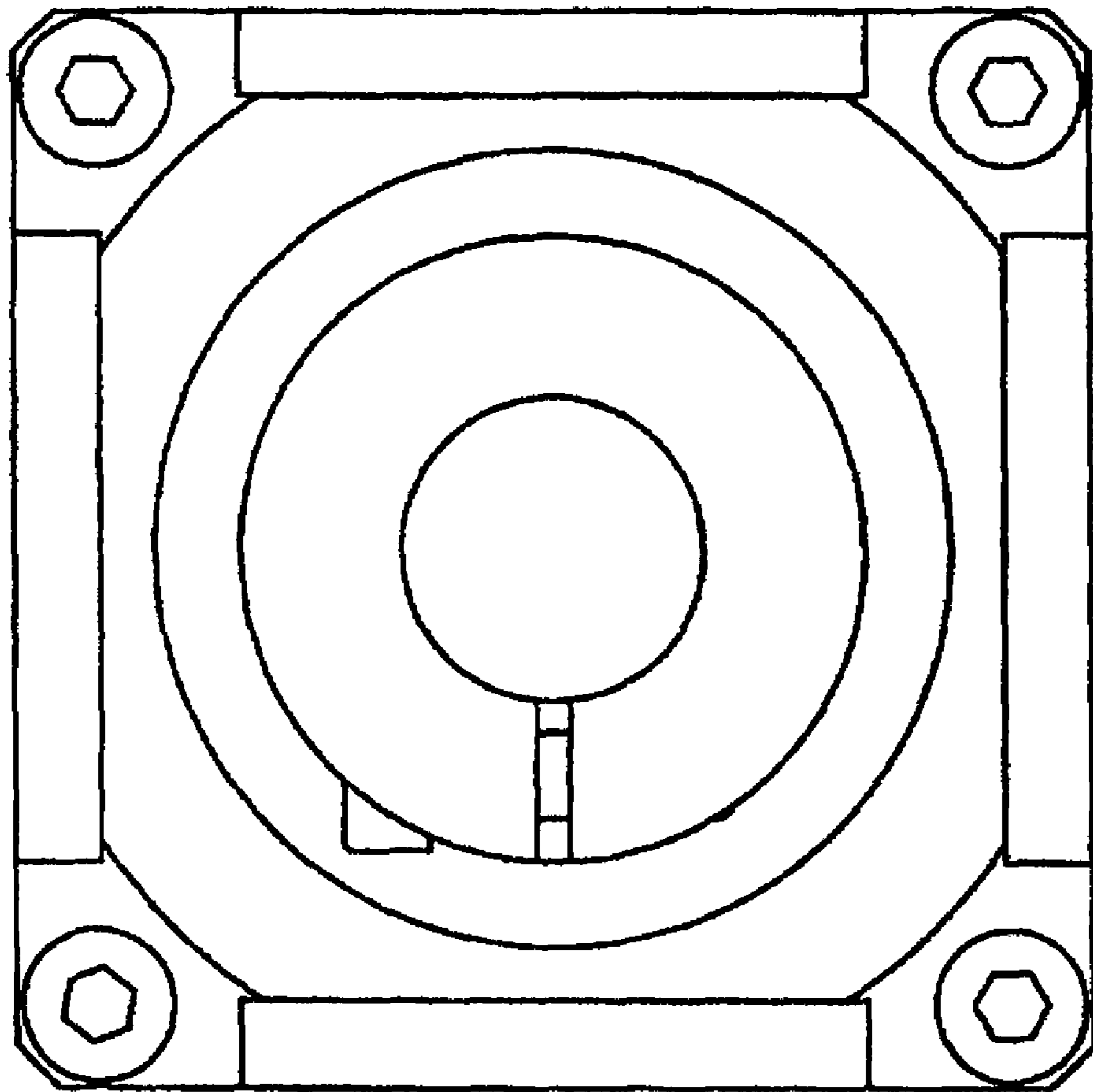


Fig. 5

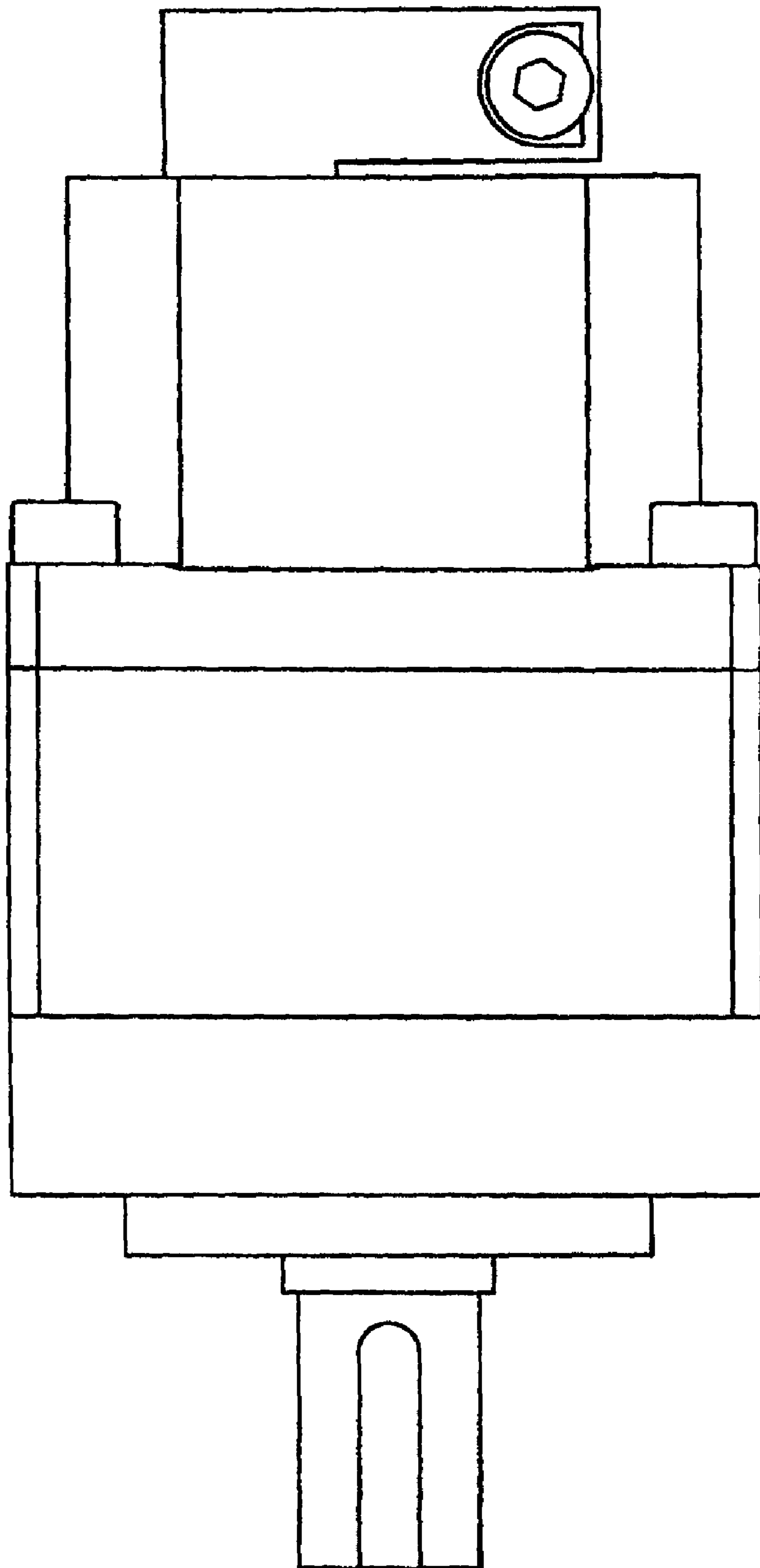
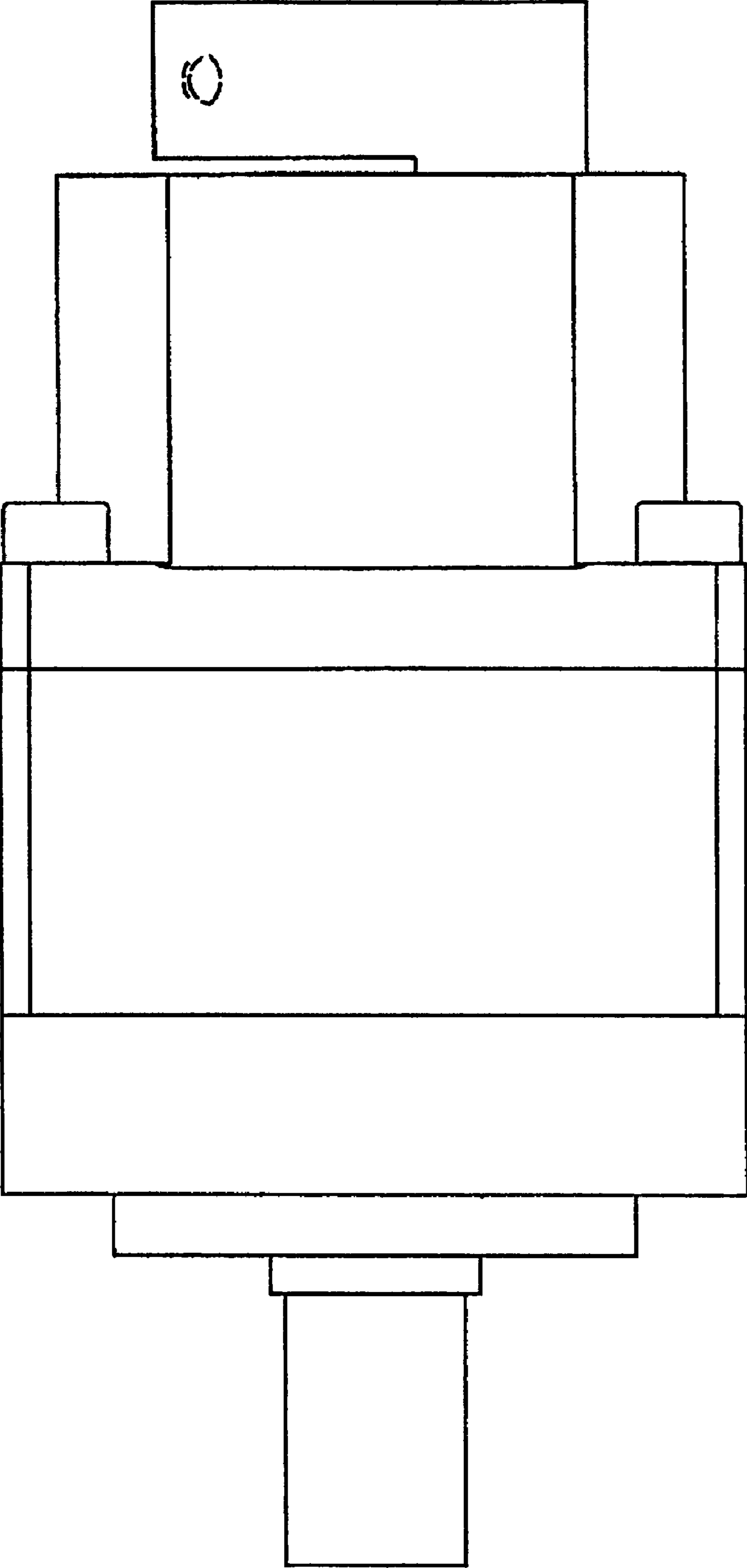


Fig. 6



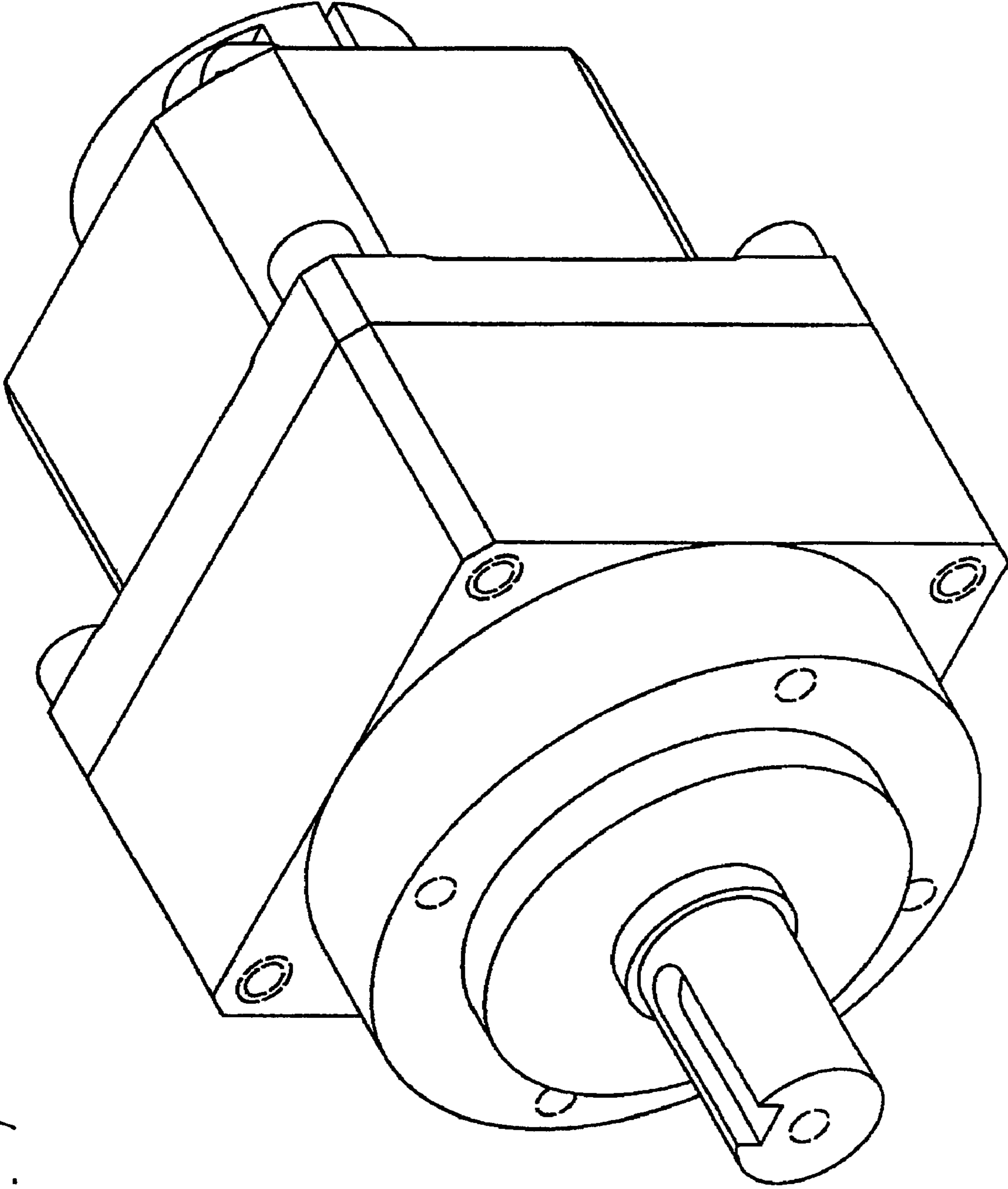


Fig. 7

Fig. 8

