



US00D619629S

(12) **United States Design Patent**
Sinders et al.

(10) **Patent No.:** **US D619,629 S**
(45) **Date of Patent:** **** Jul. 13, 2010**

(54) **FIBERGLASS CUTTING APPARATUS**

D544,003 S * 6/2007 Inaba et al. D15/127
7,299,729 B2 * 11/2007 Cox 83/343

(75) Inventors: **Steven R. Sinderson**, Mooresville, IN (US); **Jonathan R. McMichael**, North Canton, OH (US); **Corey Dean Johnson**, Akron, OH (US); **James H Rohrer**, Randolph, NJ (US); **Ronald W. Mangus**, North Canton, OH (US)

(73) Assignee: **Graco Minnesota Inc.**, Minneapolis, MN (US)

(**) Term: **14 Years**

(21) Appl. No.: **29/350,782**

(22) Filed: **Nov. 23, 2009**

(51) **LOC (9) Cl.** **15-09**

(52) **U.S. Cl.** **D15/127**

(58) **Field of Classification Search** D15/127;
30/128, 180; 83/343-347, 481, 563; 239/420
See application file for complete search history.

(56) **References Cited**

U.S. PATENT DOCUMENTS

2,291,227	A *	7/1942	Iknayan	83/122
4,001,935	A *	1/1977	Krohn et al.	30/128
4,042,175	A *	8/1977	Johnson	239/420
4,081,904	A *	4/1978	Krohn et al.	30/128
4,638,934	A *	1/1987	Fram	225/97
D329,436	S *	9/1992	Saito	D15/127

OTHER PUBLICATIONS

Glascraft Chopper/Wet-Out Systems brochure, p. 6.

* cited by examiner

Primary Examiner—Sandra Snapp

Assistant Examiner—Patricia Palasik

(74) *Attorney, Agent, or Firm*—Douglas B. Farrow

(57) **CLAIM**

The ornamental design for a fiberglass cutting apparatus, as shown and described.

DESCRIPTION

FIG. 1 is a front isometric view of the fiberglass cutting apparatus;

FIG. 2 is a front view thereof;

FIG. 3 is a bottom view thereof;

FIG. 4 is a right side view thereof;

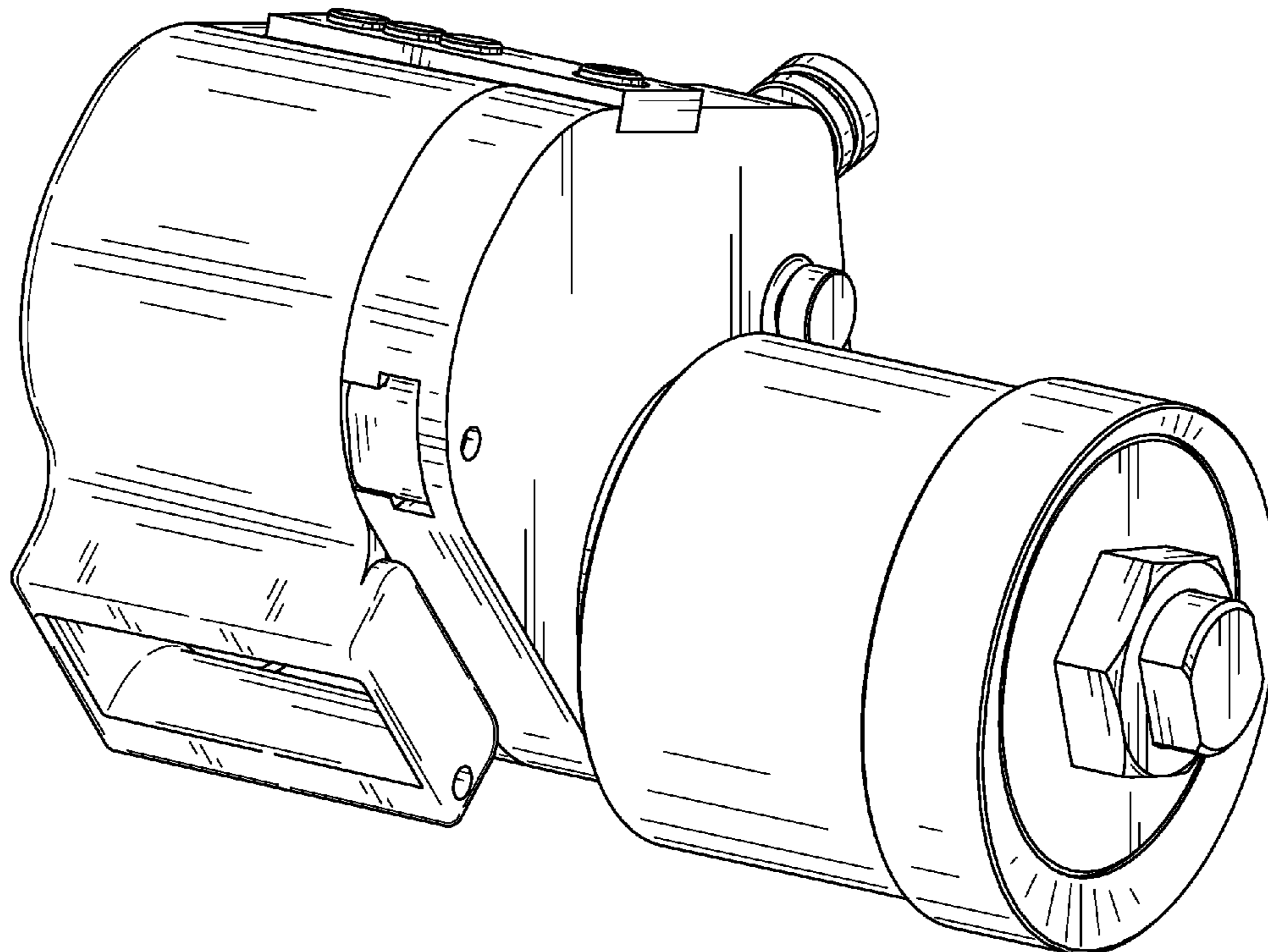
FIG. 5 is a left side view thereof;

FIG. 6 is a top view thereof; and,

FIG. 7 is a rear view thereof.

The broken lines in the drawings depict unclaimed environmental subject matter.

1 Claim, 7 Drawing Sheets



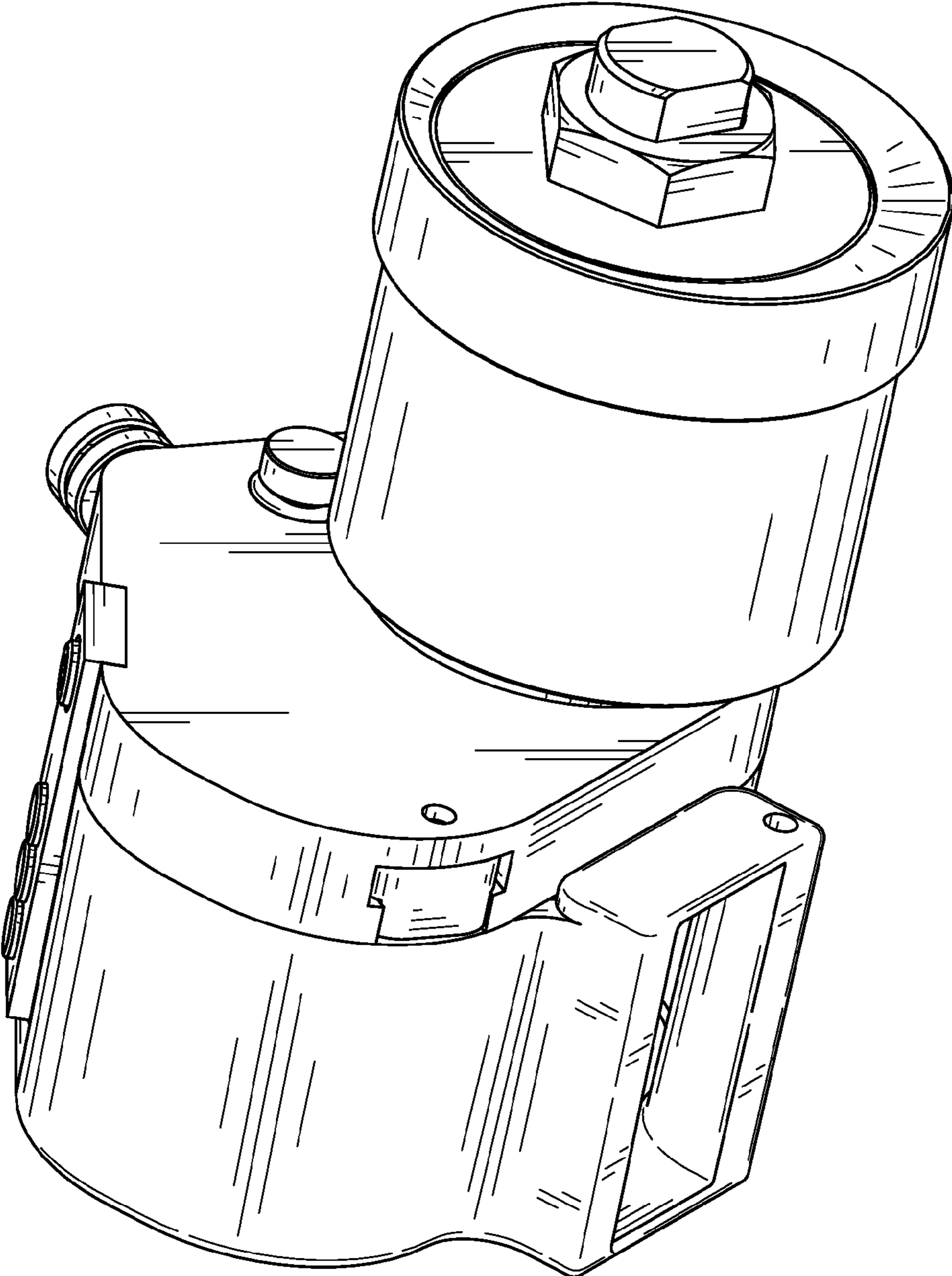


FIG. 1

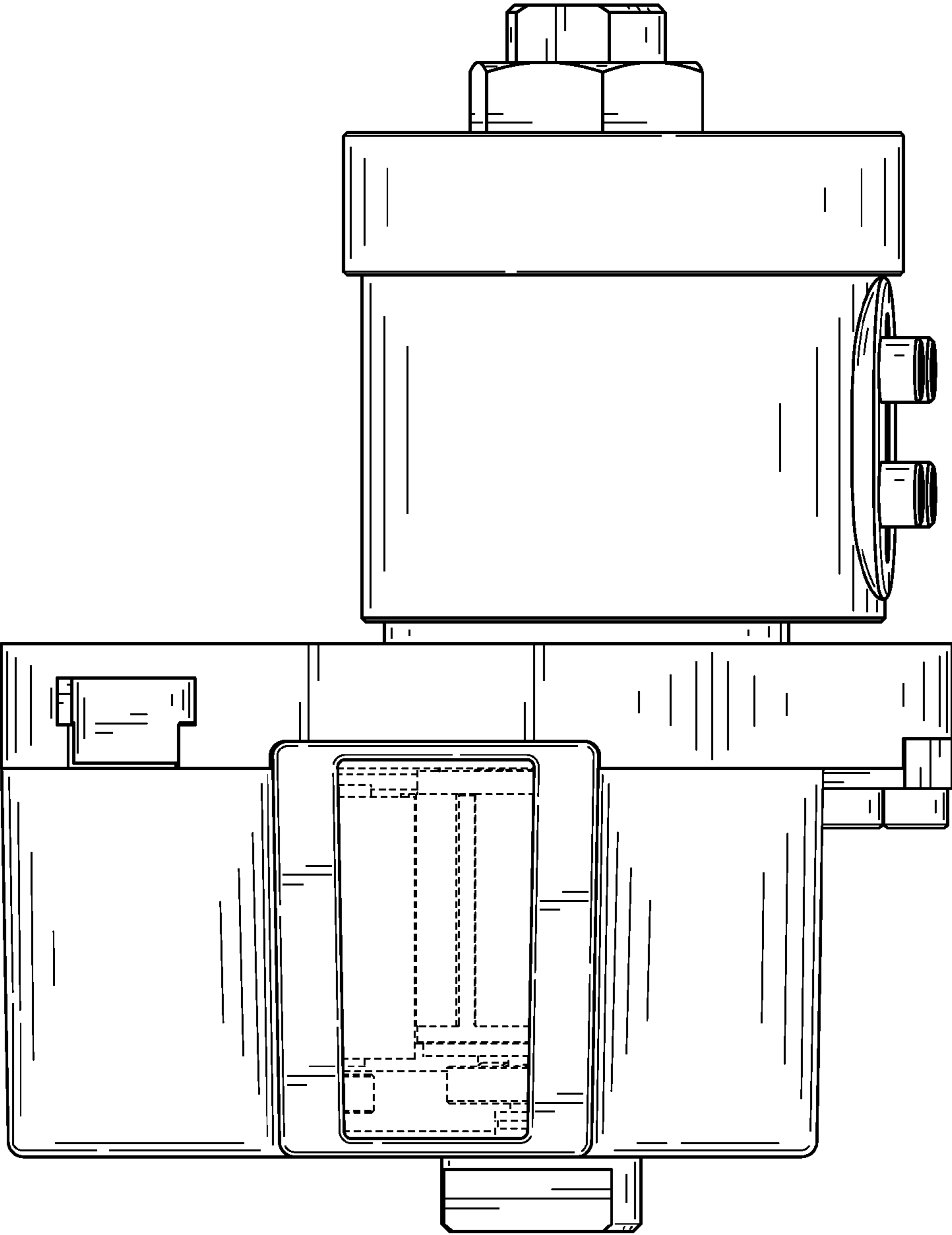


FIG. 2

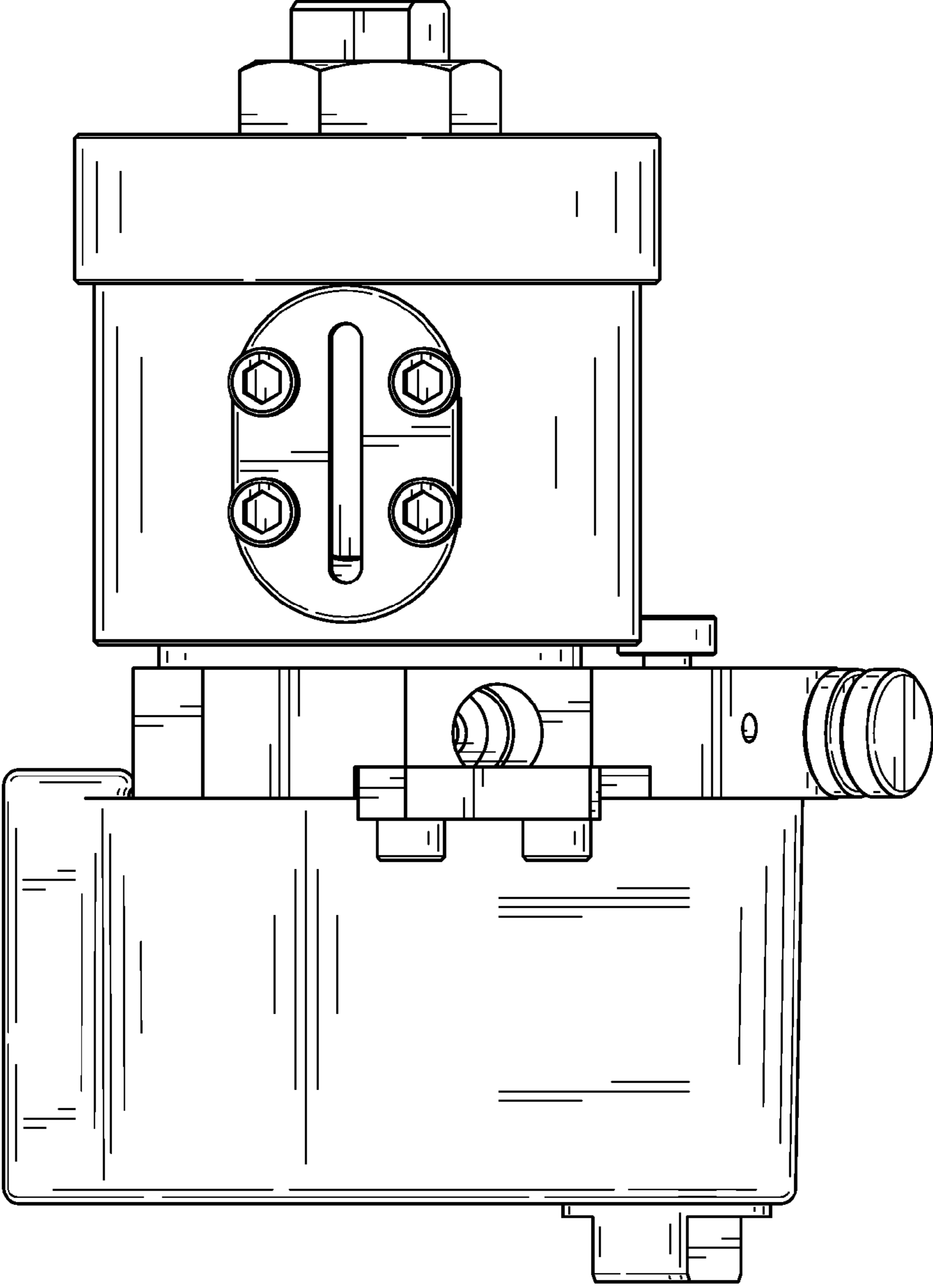


FIG. 3

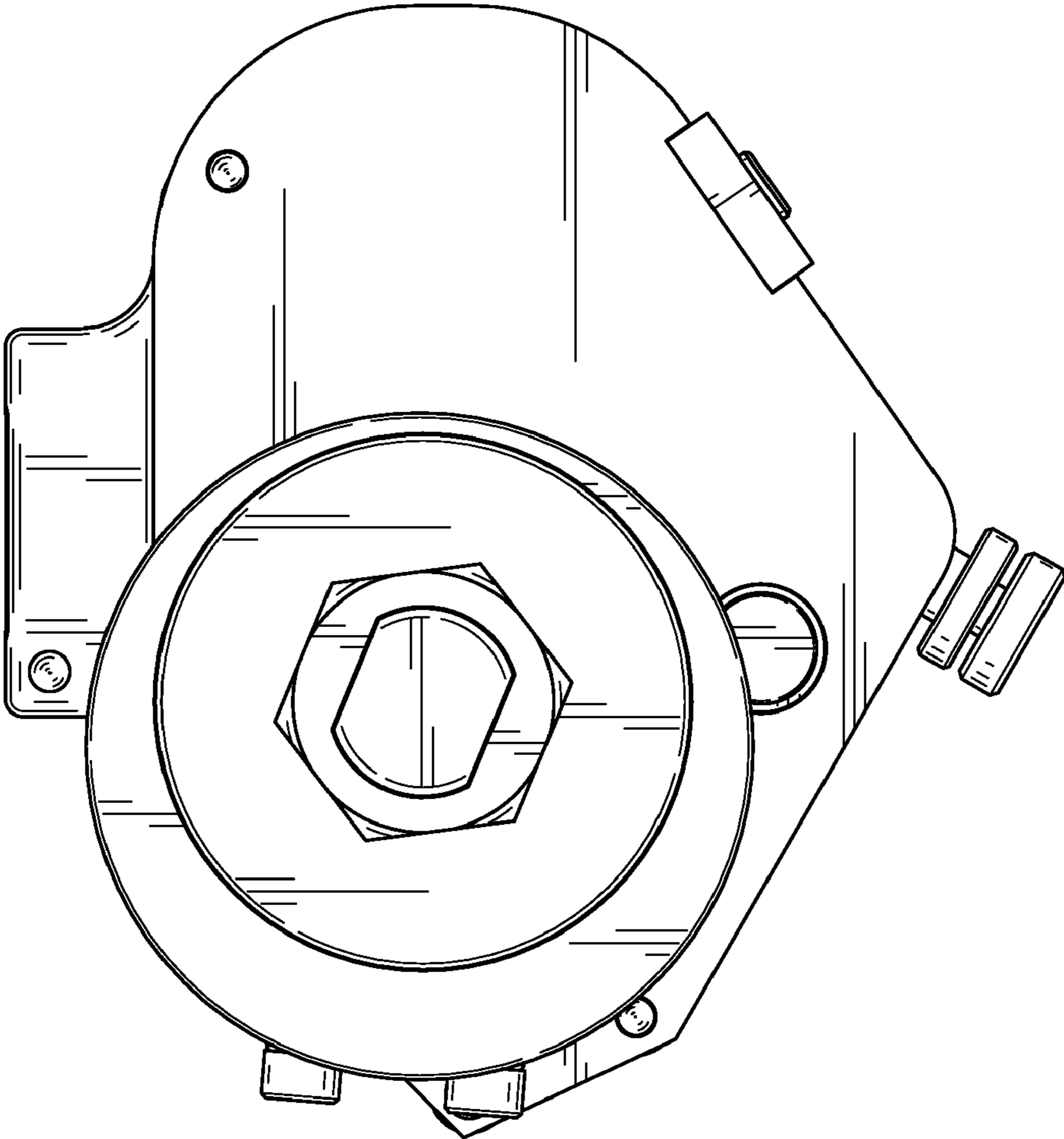


FIG. 4

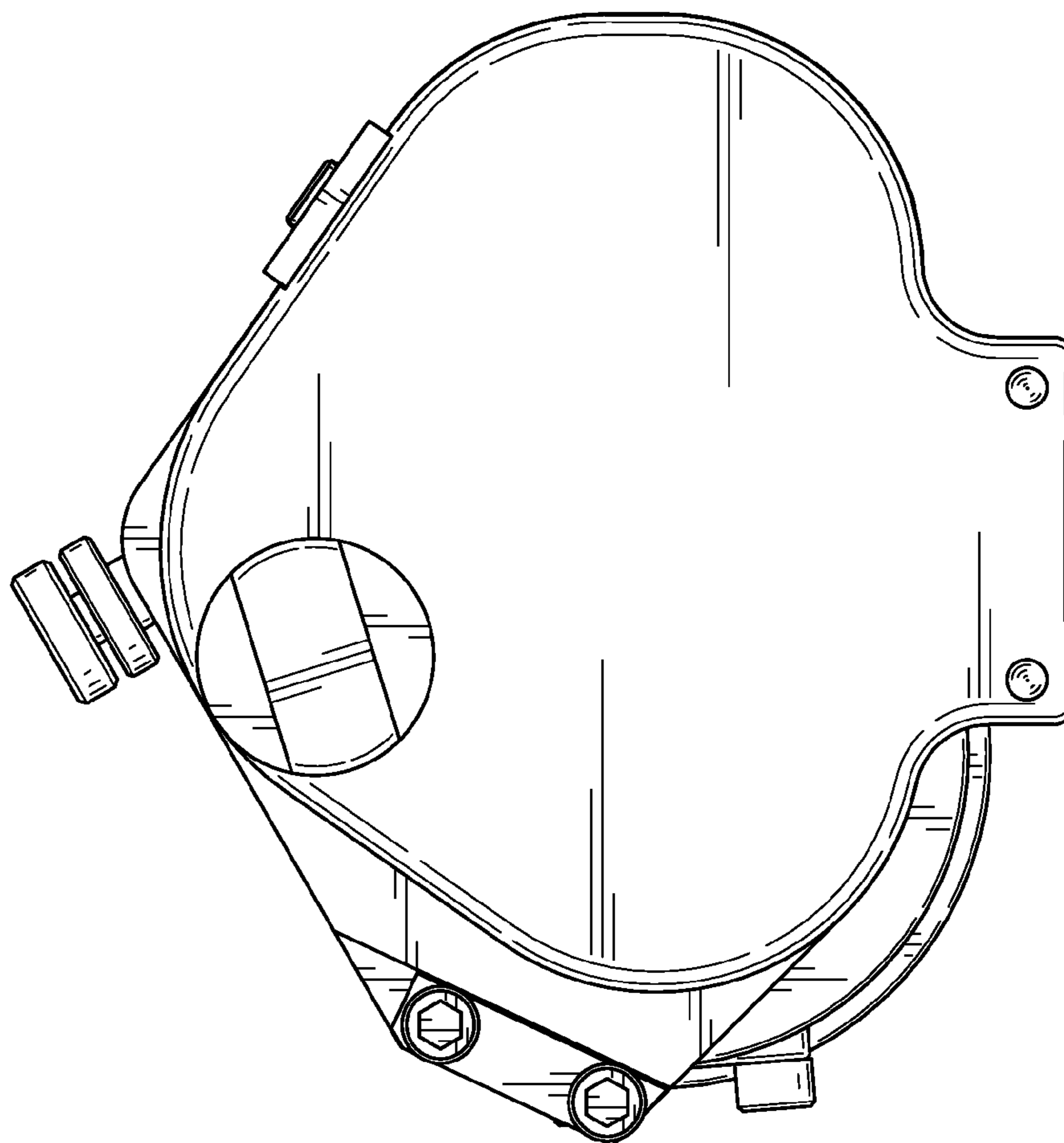


FIG. 5

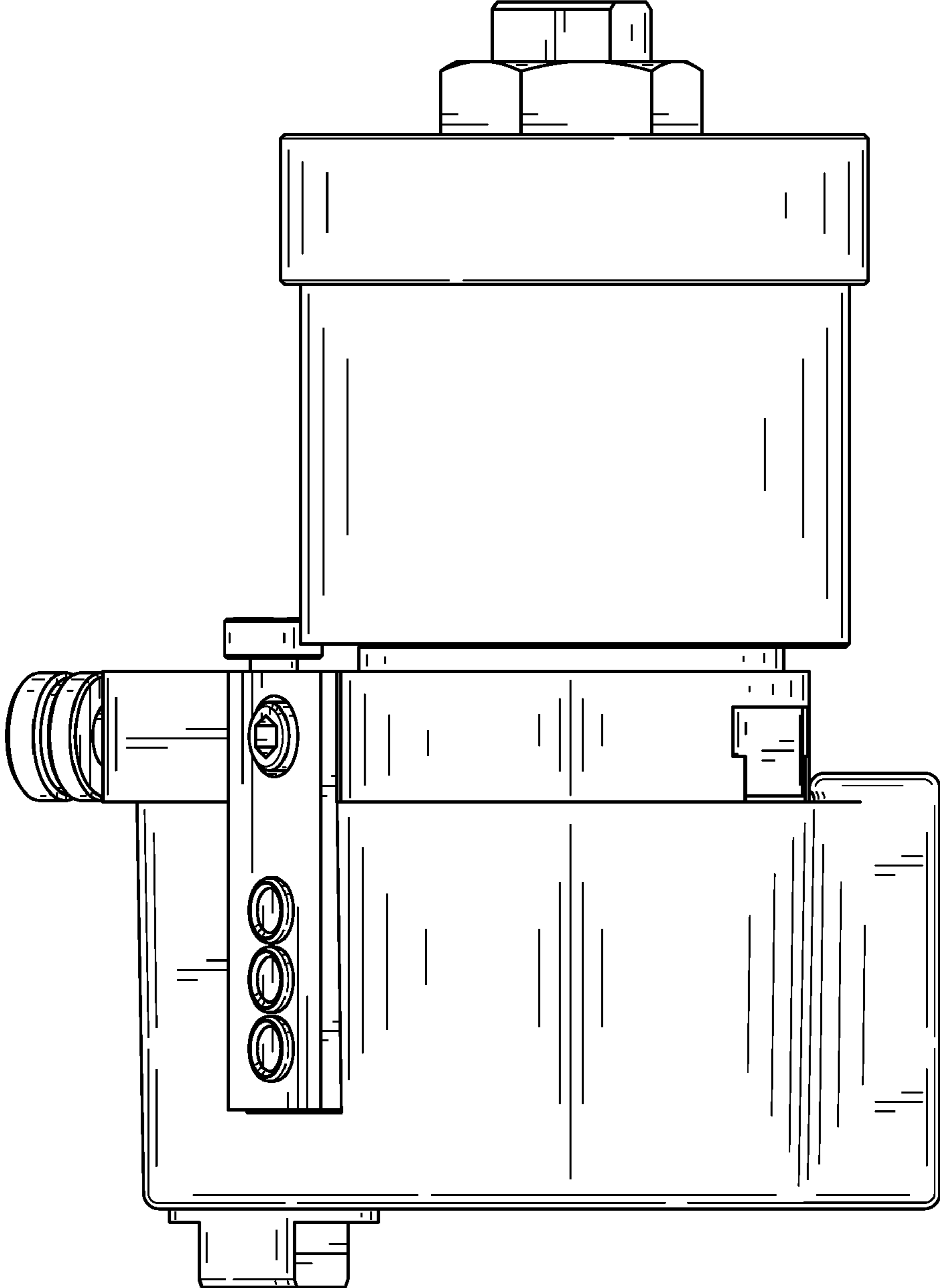


FIG. 6

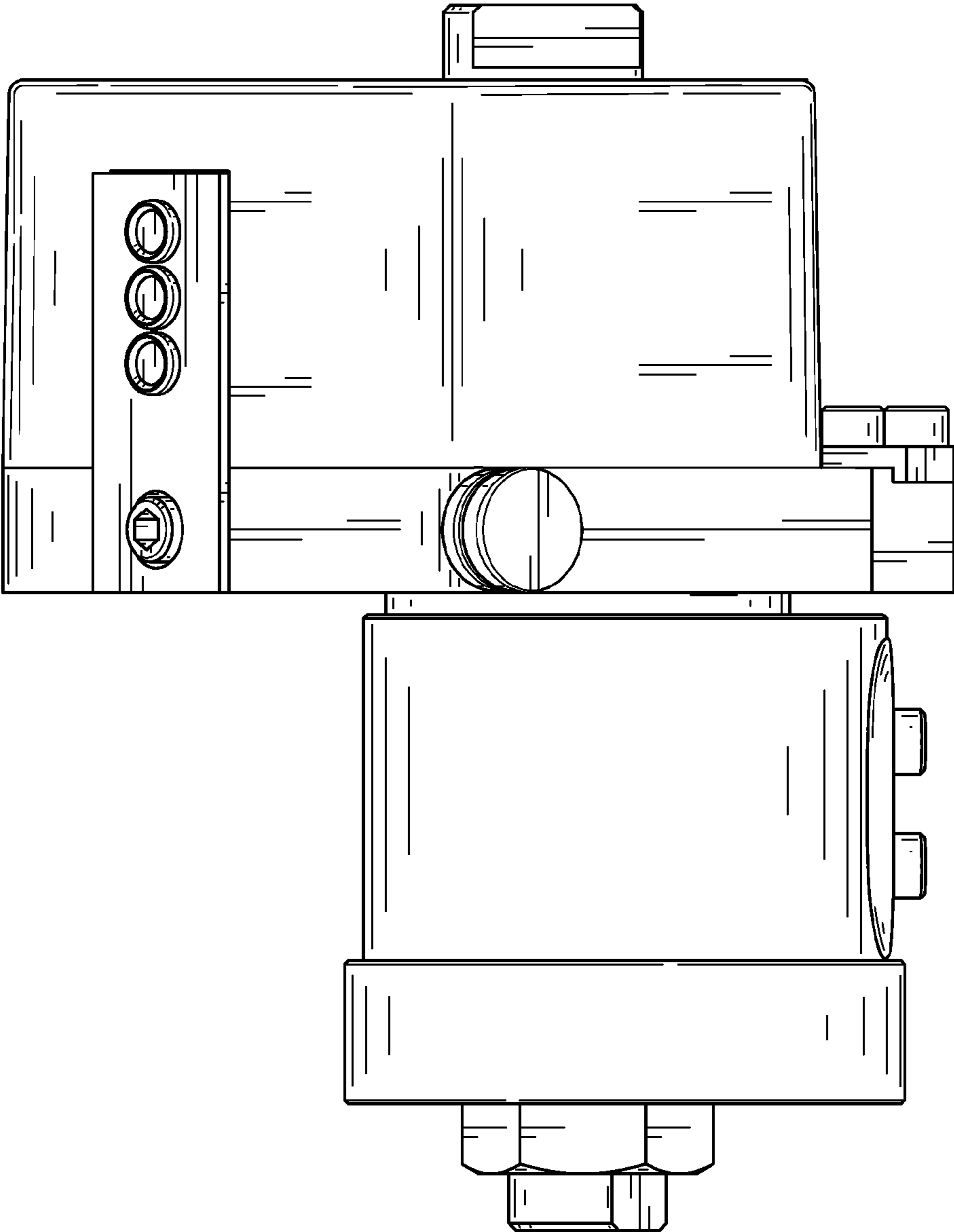


FIG. 7