



US00D619625S

(12) **United States Design Patent**
Schroeder et al.

(10) **Patent No.:** **US D619,625 S**
(45) **Date of Patent:** **** Jul. 13, 2010**

(54) **THERMAL LINE STRIPER**

(75) Inventors: **James C. Schroeder**, Ramsey, MN (US); **Roland M. Bedard**, Forest Lake, MN (US); **Steven H. Fredrickson**, Minneapolis, MN (US); **Thomas L. Triplett**, Rockford, MN (US)

(73) Assignee: **Graco Minnesota Inc.**, Minneapolis, MN (US)

(**) Term: **14 Years**

(21) Appl. No.: **29/340,826**

(22) Filed: **Jul. 27, 2009**

(51) **LOC (9) Cl.** **15-03**

(52) **U.S. Cl.** **D15/13; D15/10**

(58) **Field of Classification Search** D15/10-13;
D23/213, 225; 118/305; 427/137; 239/150,
239/146, 147, 172, 155, 159, 164, 165, 176,
239/683-687, 754; 404/93, 94

See application file for complete search history.

(56) **References Cited**

U.S. PATENT DOCUMENTS

1,999,563	A *	4/1935	Glasgow	239/123
3,373,938	A *	3/1968	Sweet	239/148
4,313,780	A *	2/1982	Ford, Jr.	156/523
4,624,602	A *	11/1986	Kieffer et al.	404/94
4,877,348	A *	10/1989	Opie	404/93
4,893,751	A *	1/1990	Armstrong	239/150
D324,053	S *	2/1992	Smrt	D15/13
5,213,480	A *	5/1993	Yedinak et al.	417/234
5,263,789	A *	11/1993	Torntore et al.	404/93
5,302,207	A *	4/1994	Jurcisin	118/713
5,312,043	A *	5/1994	Whitney	239/754

D349,711	S *	8/1994	Torntore et al.	D15/13
5,368,232	A *	11/1994	Schroeder	239/165
D354,288	S *	1/1995	Pena	D15/13
5,947,385	A *	9/1999	Lanerd et al.	239/172
2004/0037645	A1 *	2/2004	Harrison	404/94
2008/0099579	A1 *	5/2008	Schroeder et al.	239/150

OTHER PUBLICATIONS

Competitor's Literature (MRL Equipment Company's Model 250 Thermoplastic Handliner Brochure).

Photo of Competitor ASE's Thermo Mark II Handliner Striper, Right Side.

Photo of Competitor ASE's Thermo Mark II Handliner Striper, Left Side.

Photo of Competitor Titian's PowerLiner 4900 striper.

* cited by examiner

Primary Examiner—Mark A Goodwin

(74) *Attorney, Agent, or Firm*—Douglas B. Farrow

(57) **CLAIM**

The ornamental design for the thermal line striper, as shown and described.

DESCRIPTION

FIG. 1 is a front perspective view of the thermal line striper showing our new design;

FIG. 2 is a top plan view thereof;

FIG. 3 is a front elevation view thereof;

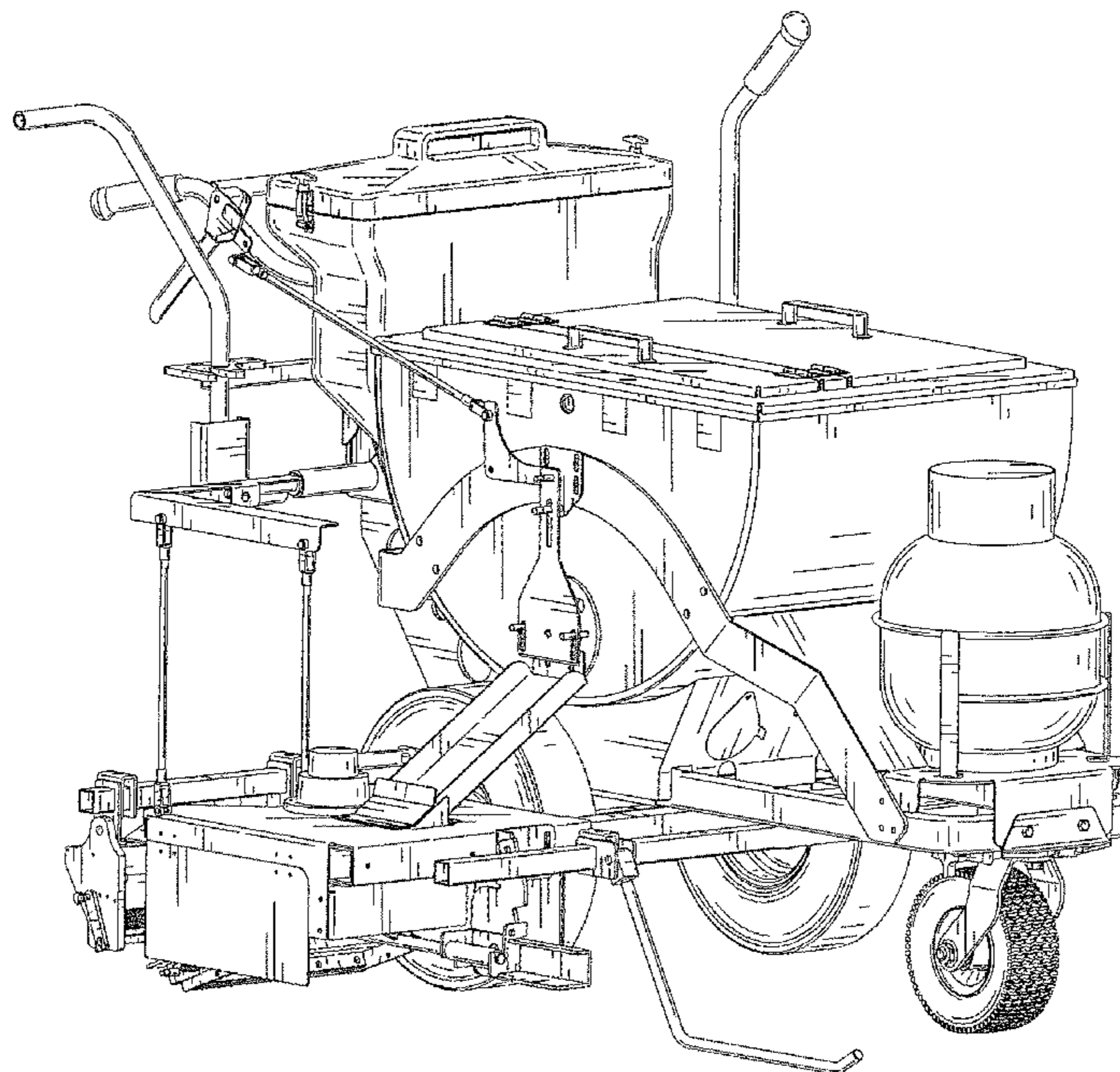
FIG. 4 is a right side elevation view thereof;

FIG. 5 is a left side elevation view thereof;

FIG. 6 is a rear elevation view thereof; and,

FIG. 7 is a bottom plan view thereof.

1 Claim, 7 Drawing Sheets



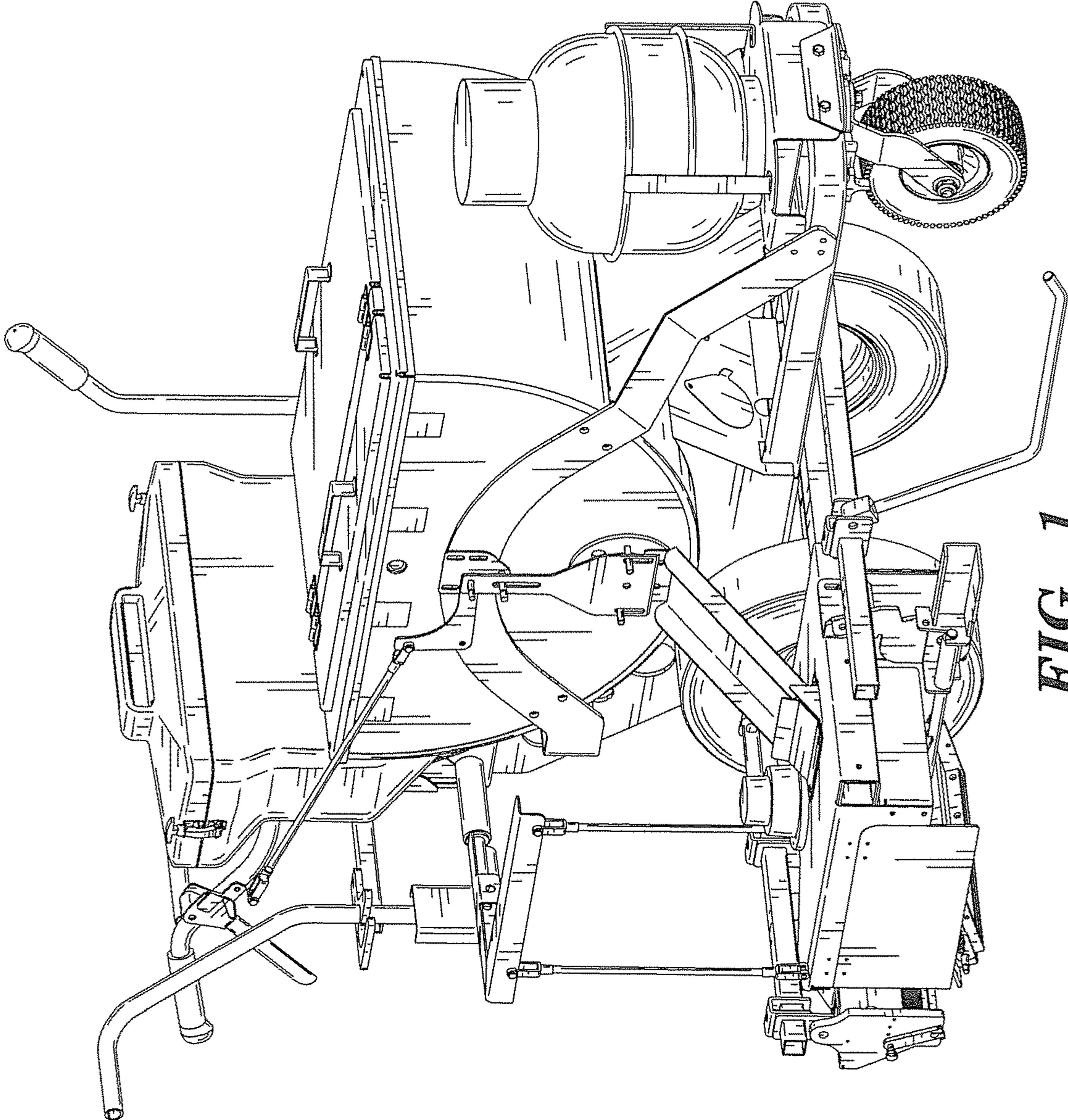


FIG. 1

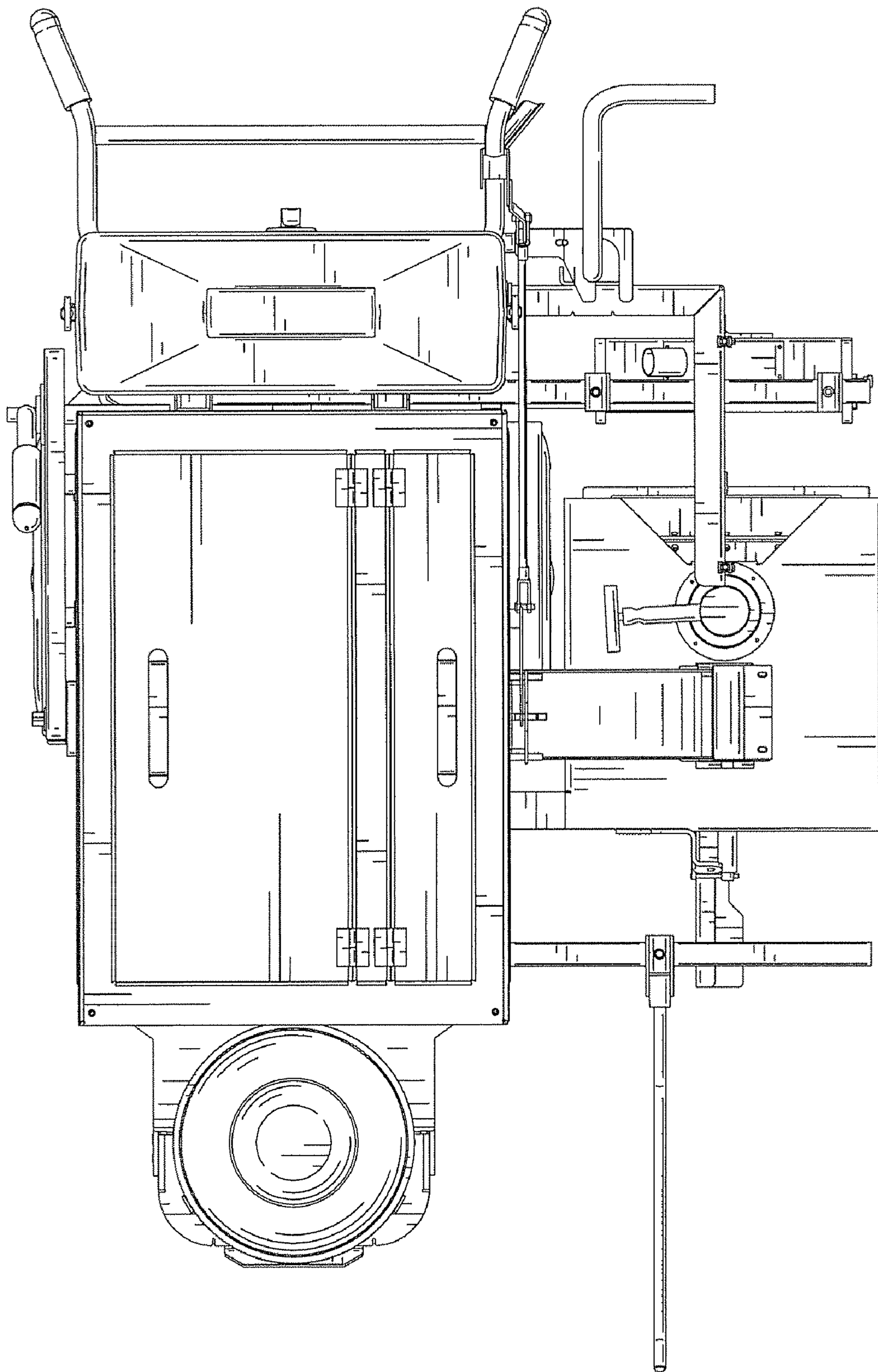


FIG. 2

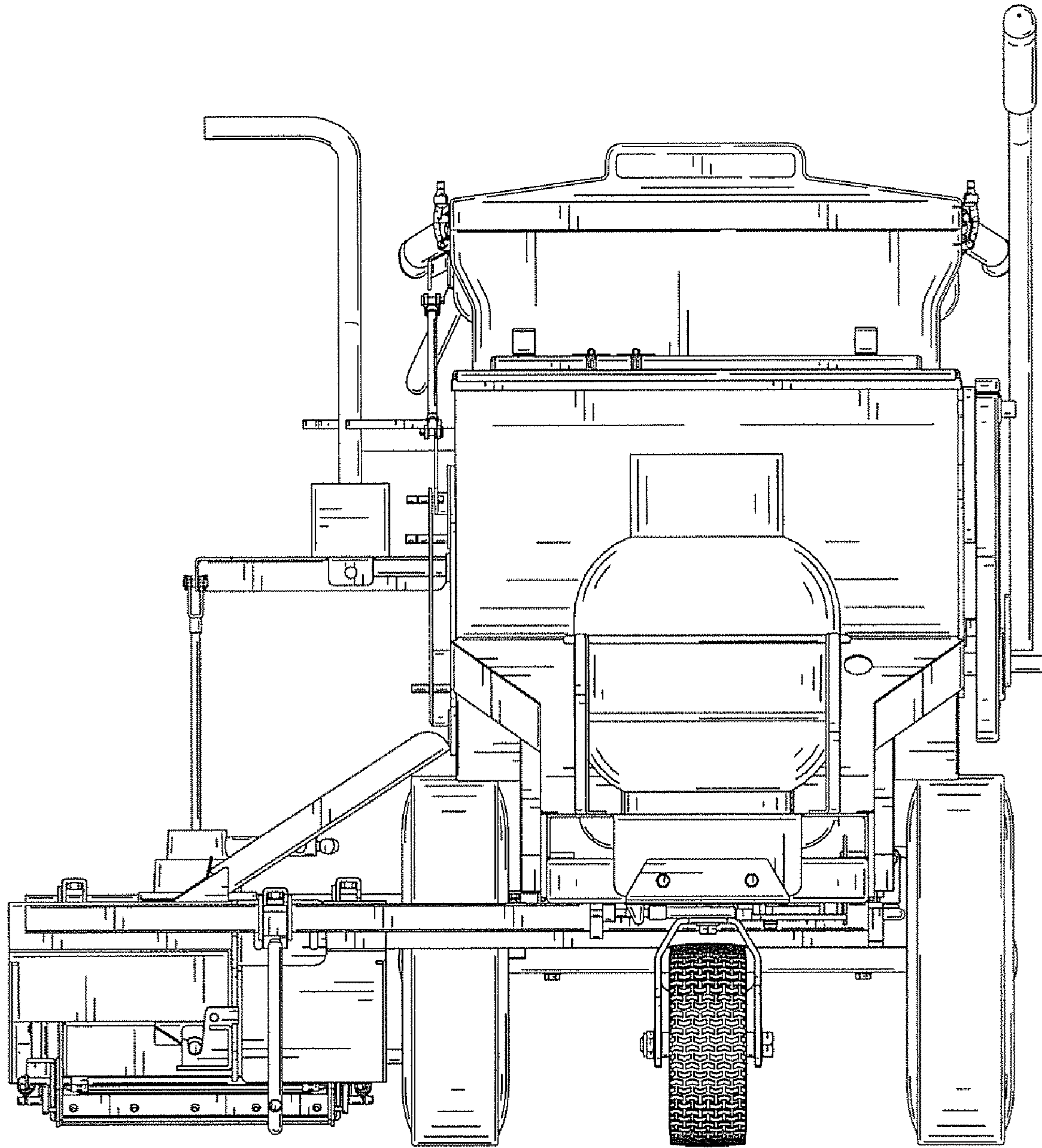


FIG. 3

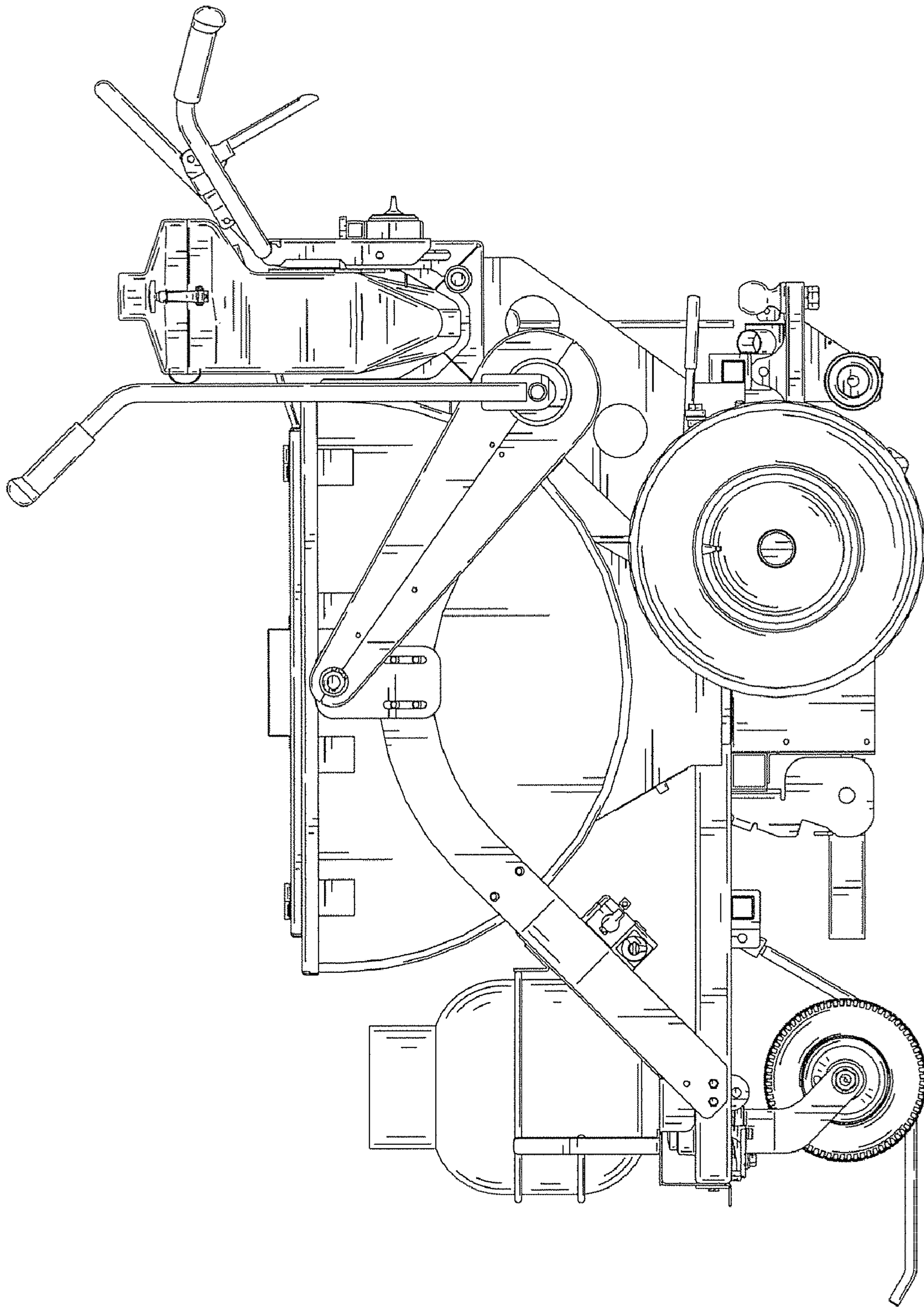


FIG. 4

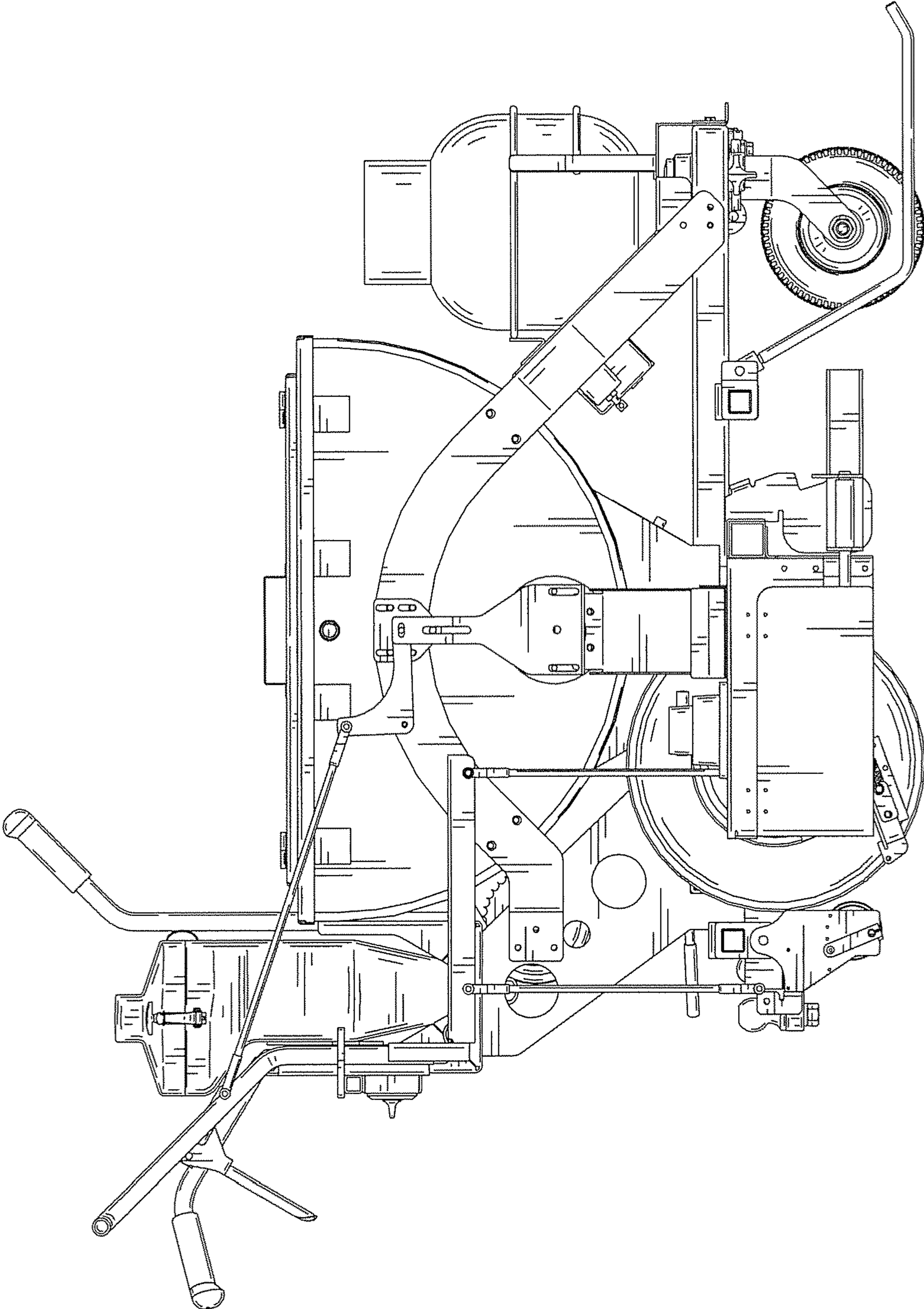


FIG. 5

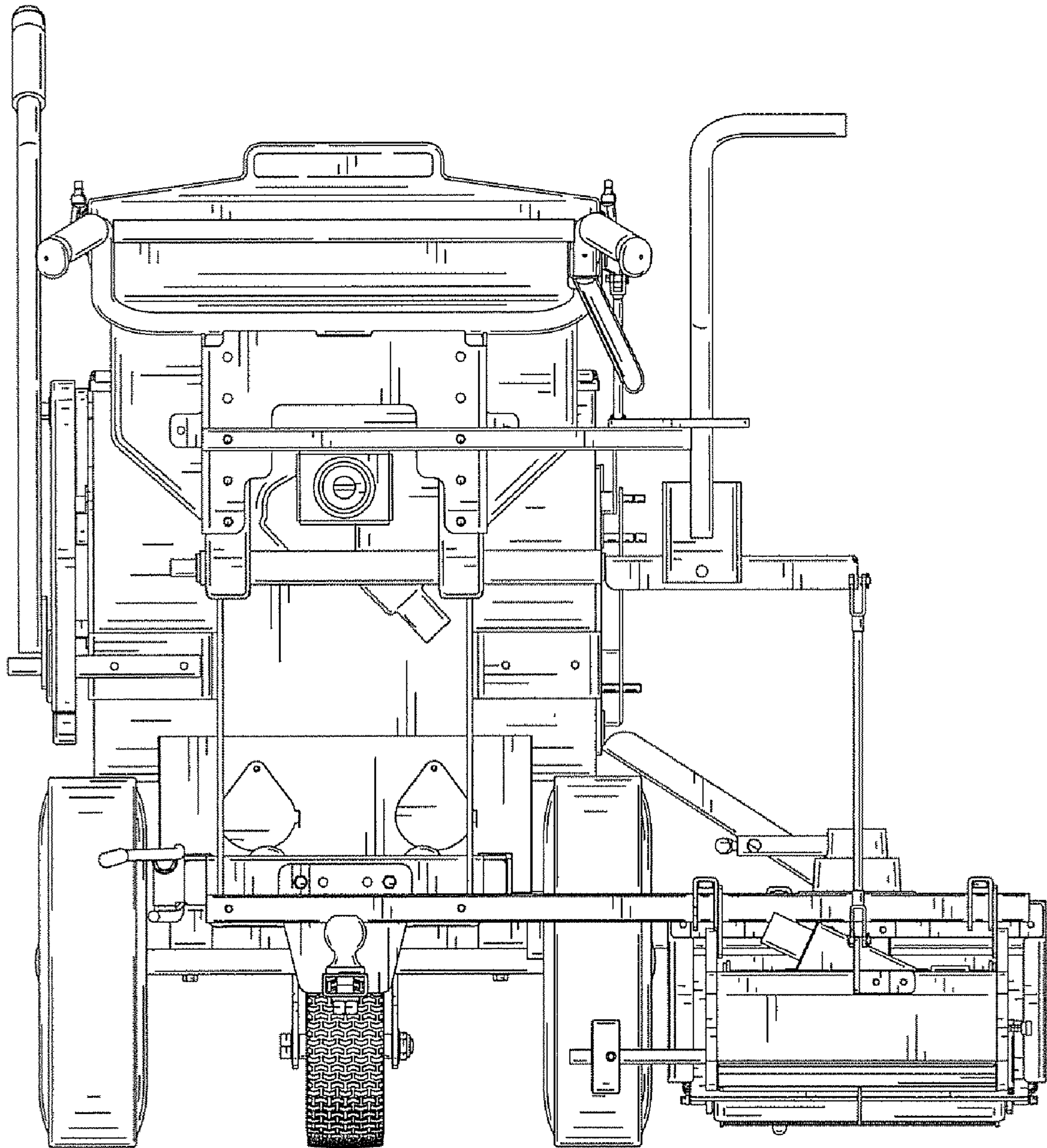


FIG. 6

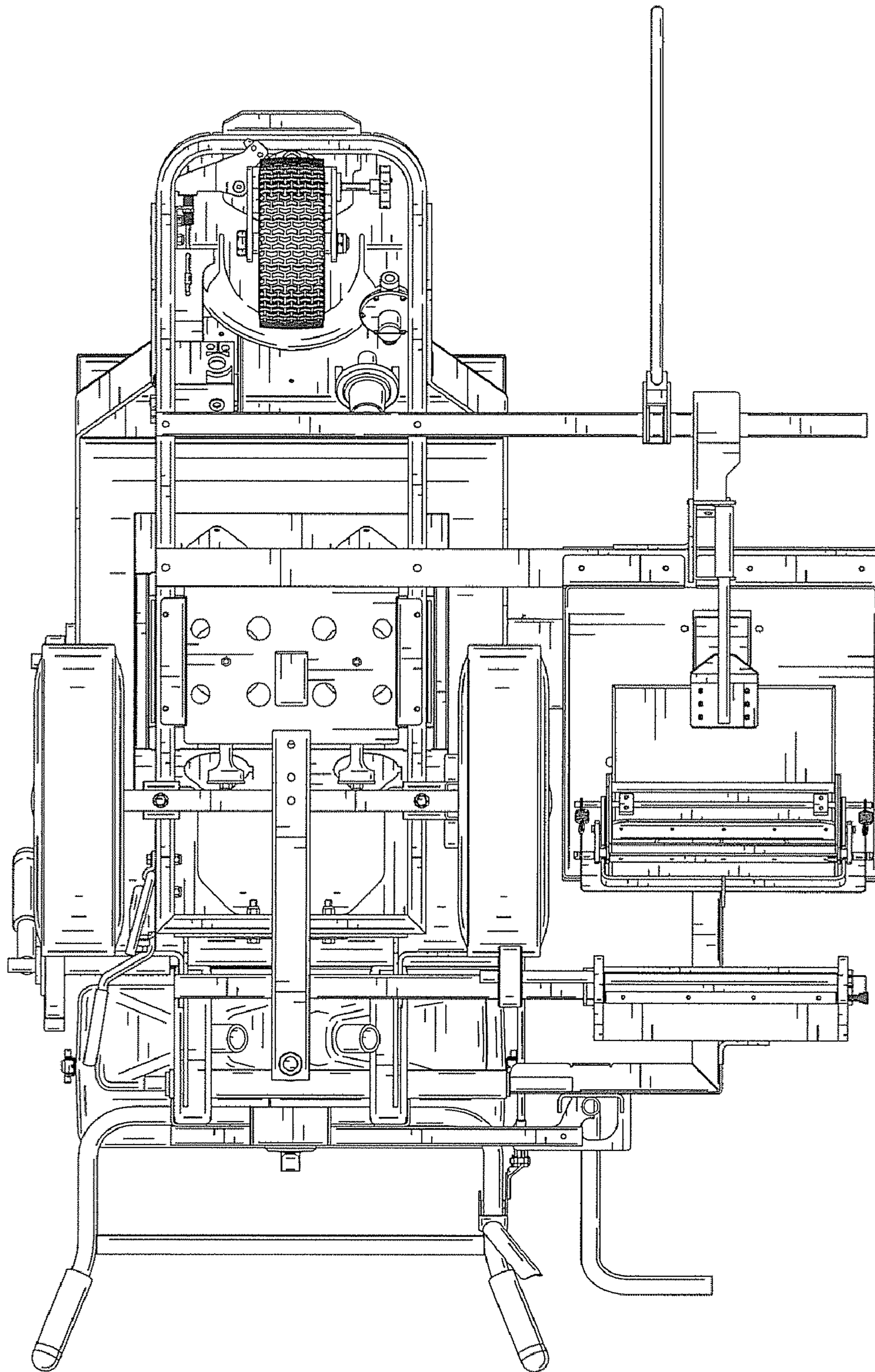


FIG. 7