



US00D619624S

(12) **United States Design Patent**
Iwagoshi et al.

(10) **Patent No.:** **US D619,624 S**
(45) **Date of Patent:** **** Jul. 13, 2010**

(54) **VACUUM PUMP**

(75) Inventors: **Kotaro Iwagoshi**, Yokohama (JP);
Tsuneo Osaka, Yokohama (JP)

(73) Assignee: **Ulvac Kiko, Inc.**, Saito-Shu, Miyazaki (JP)

(**) Term: **14 Years**

(21) Appl. No.: **29/350,093**

(22) Filed: **Nov. 11, 2009**

(30) **Foreign Application Priority Data**

May 14, 2009 (JP) 2009-010785

(51) **LOC (9) Cl.** **15-02**

(52) **U.S. Cl.** **D15/7**

(58) **Field of Classification Search** D15/7-9;
D23/231, 232, 225; 417/410.1, 359, 415-416,
417/234, 321, 265, 405

See application file for complete search history.

(56) **References Cited**

U.S. PATENT DOCUMENTS

D376,370 S * 12/1996 Davis et al. D15/7

D485,565 S * 1/2004 Martinello D15/7
D518,068 S * 3/2006 Rodopoulos D15/7
D557,708 S * 12/2007 Carpenter et al. D15/7
D573,609 S * 7/2008 Bilger D15/7

* cited by examiner

Primary Examiner—Ralf Seifert

(74) *Attorney, Agent, or Firm*—Harness, Dickey & Pierce, PLC

(57) **CLAIM**

The ornamental design for a vacuum pump, as shown and described.

DESCRIPTION

FIG. 1 is a front, top and right side perspective view of a vacuum pump showing our new design;

FIG. 2 is a front elevational view thereof;

FIG. 3 is a rear elevational view thereof;

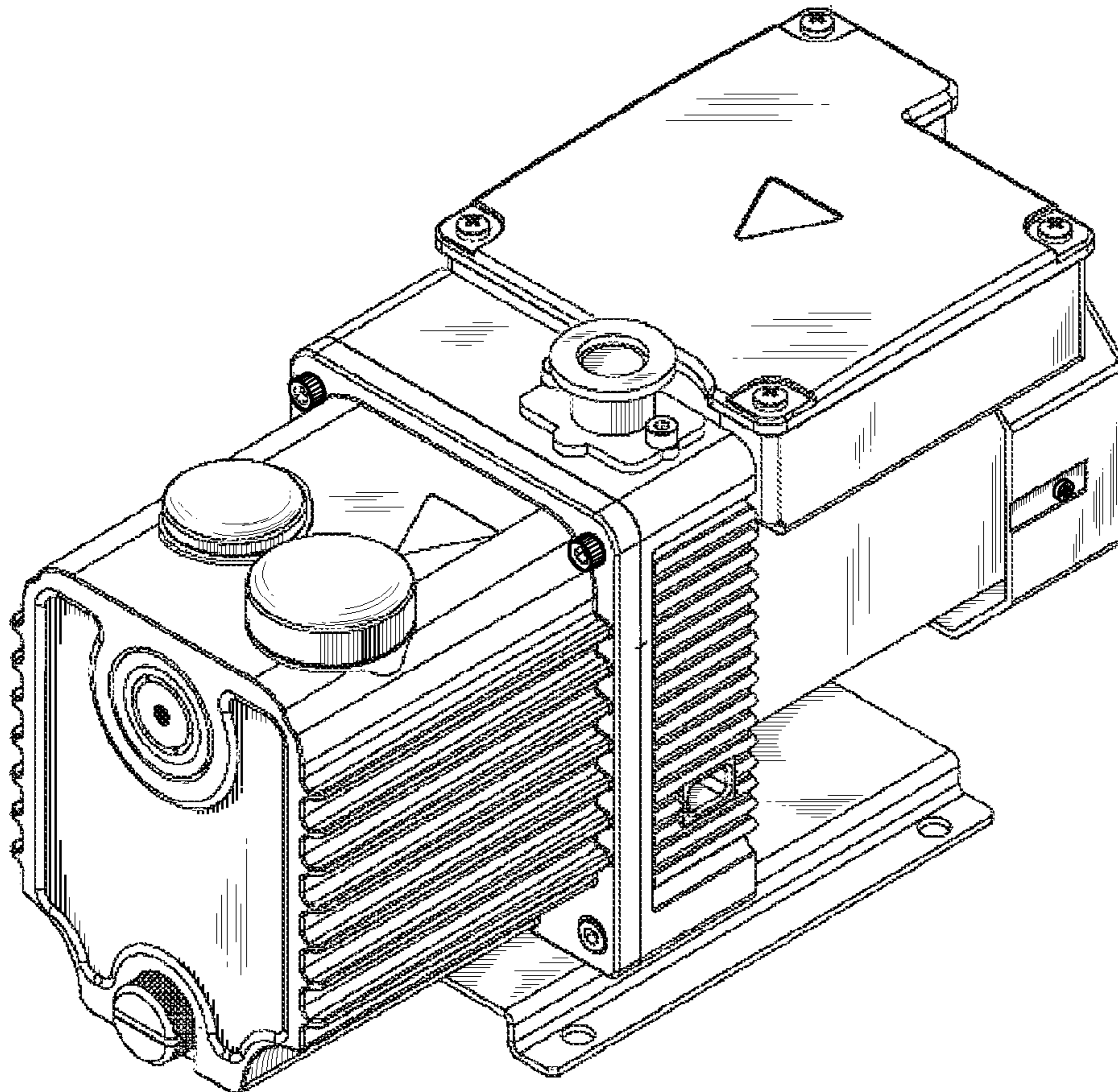
FIG. 4 is a top plan view thereof;

FIG. 5 is a bottom plan view thereof;

FIG. 6 is a right side elevational view thereof; and,

FIG. 7 is a left side elevational view thereof.

1 Claim, 7 Drawing Sheets



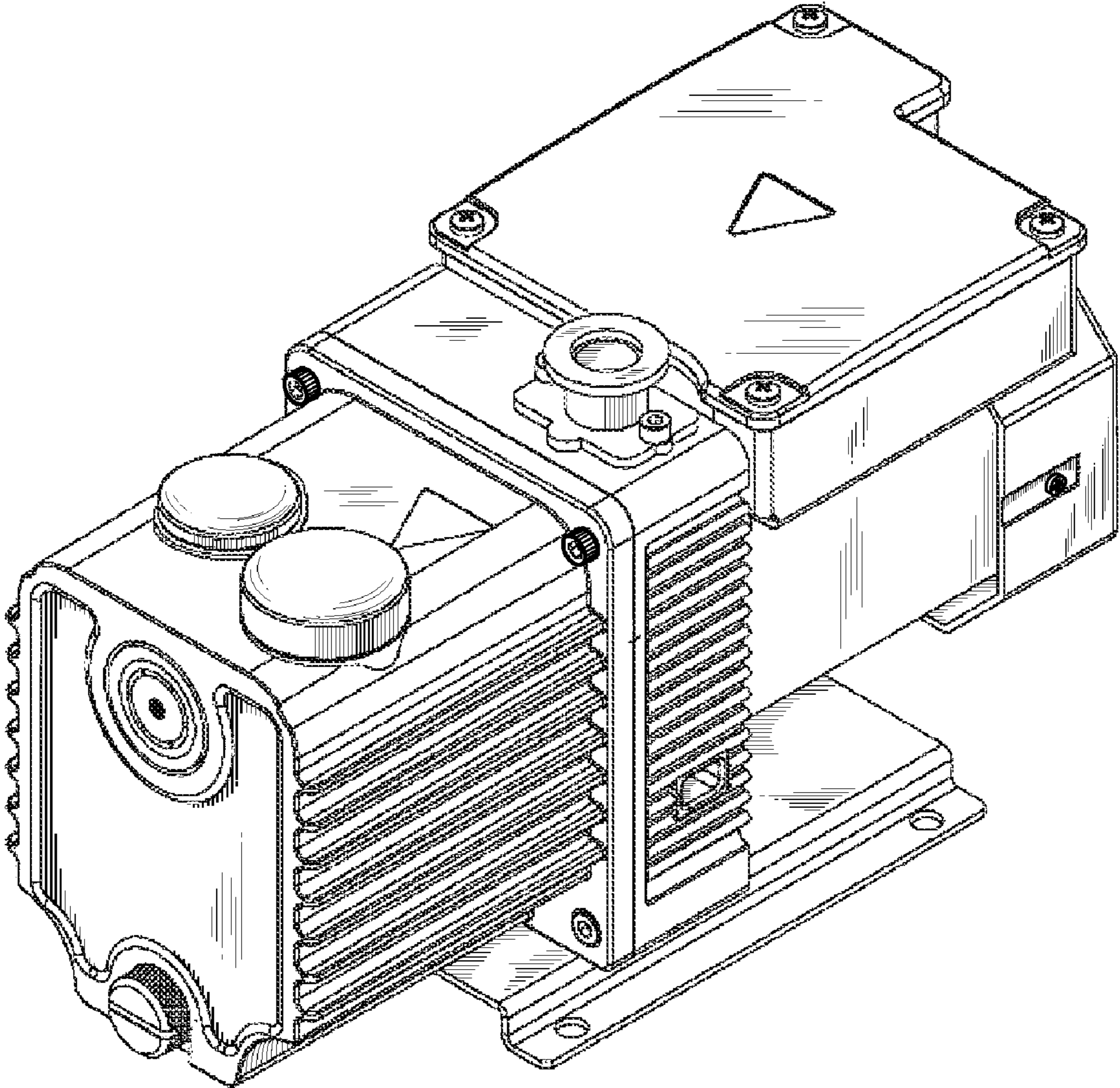


FIG. 1

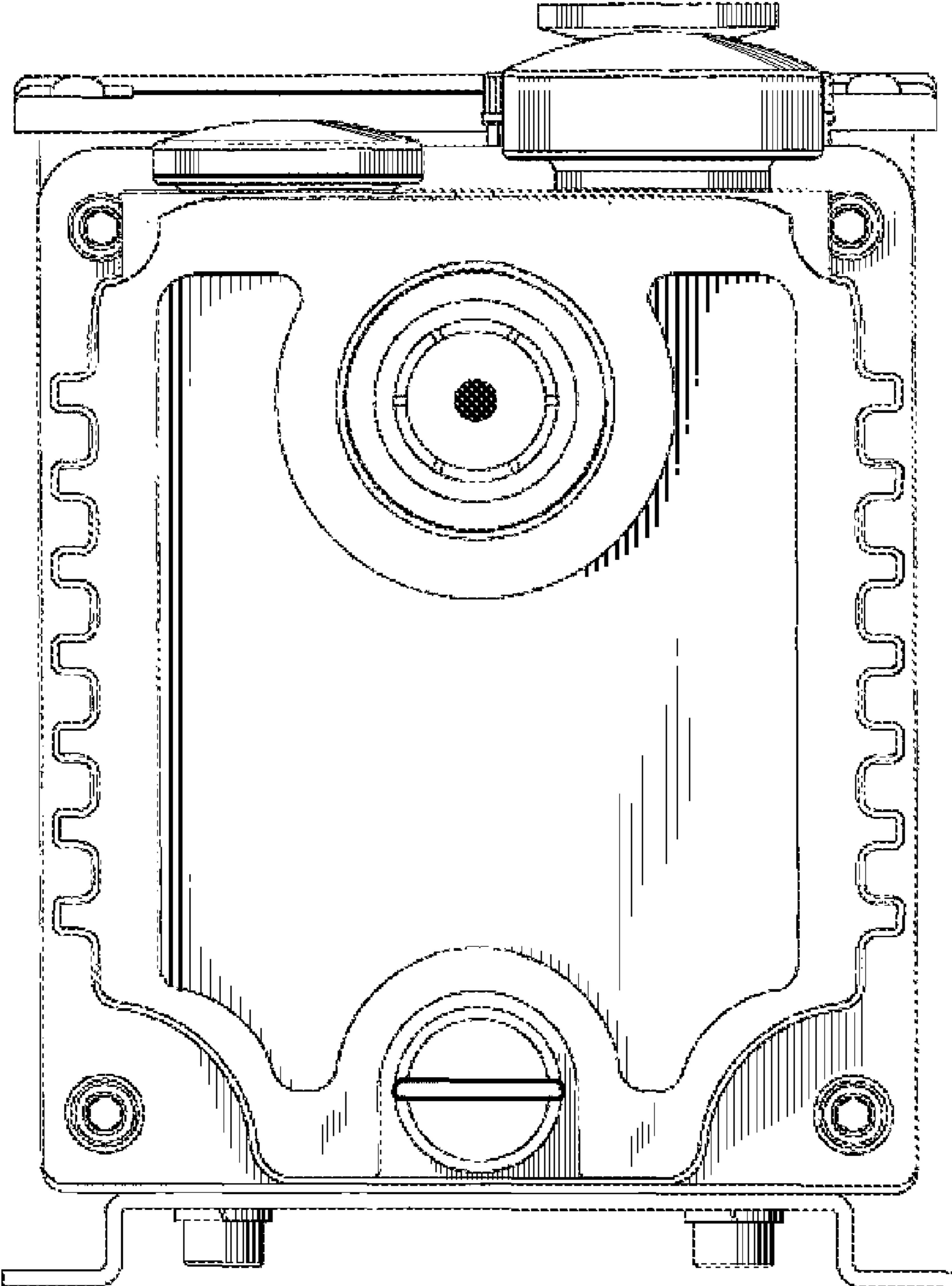


FIG. 2

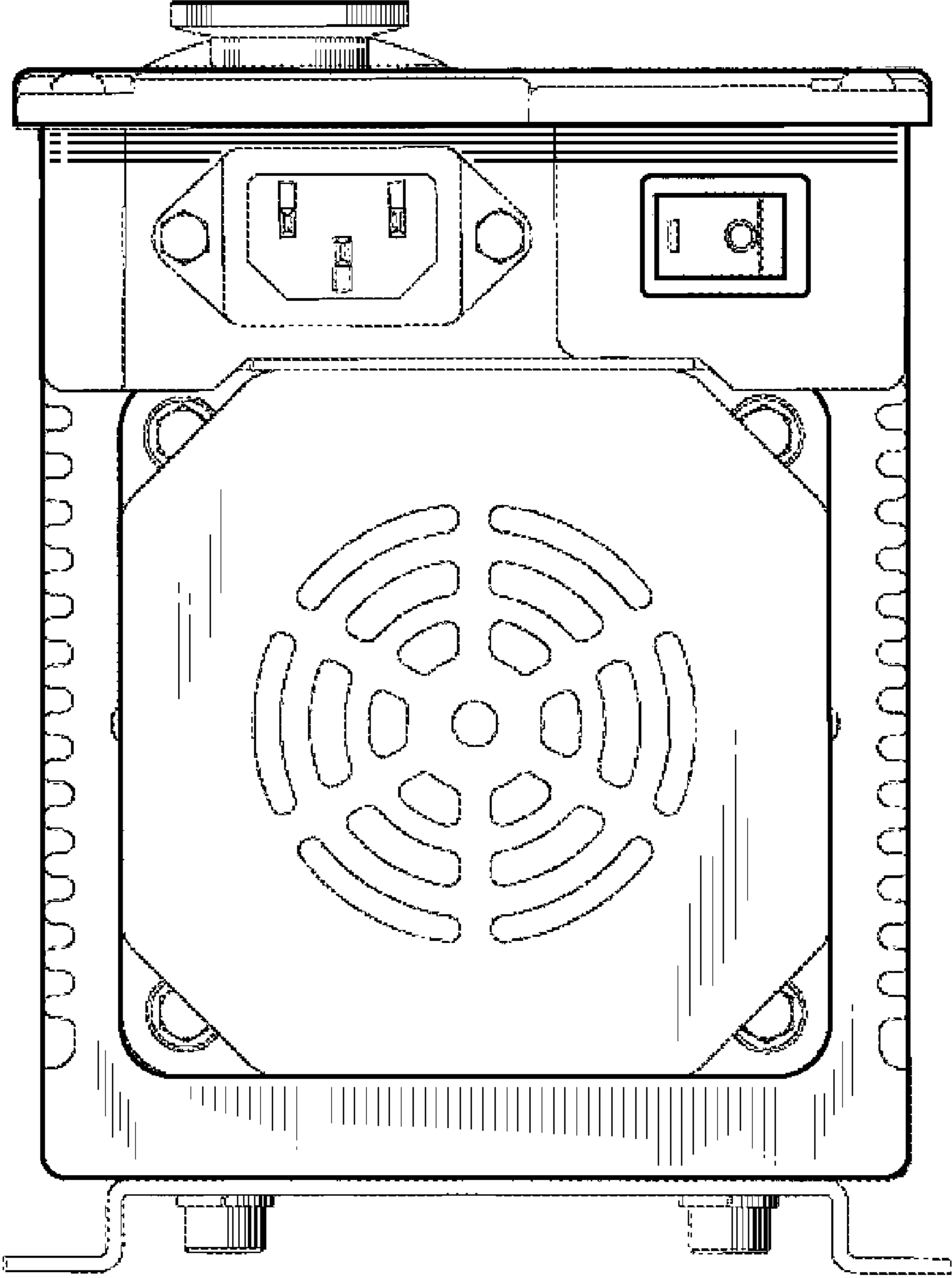


FIG. 3

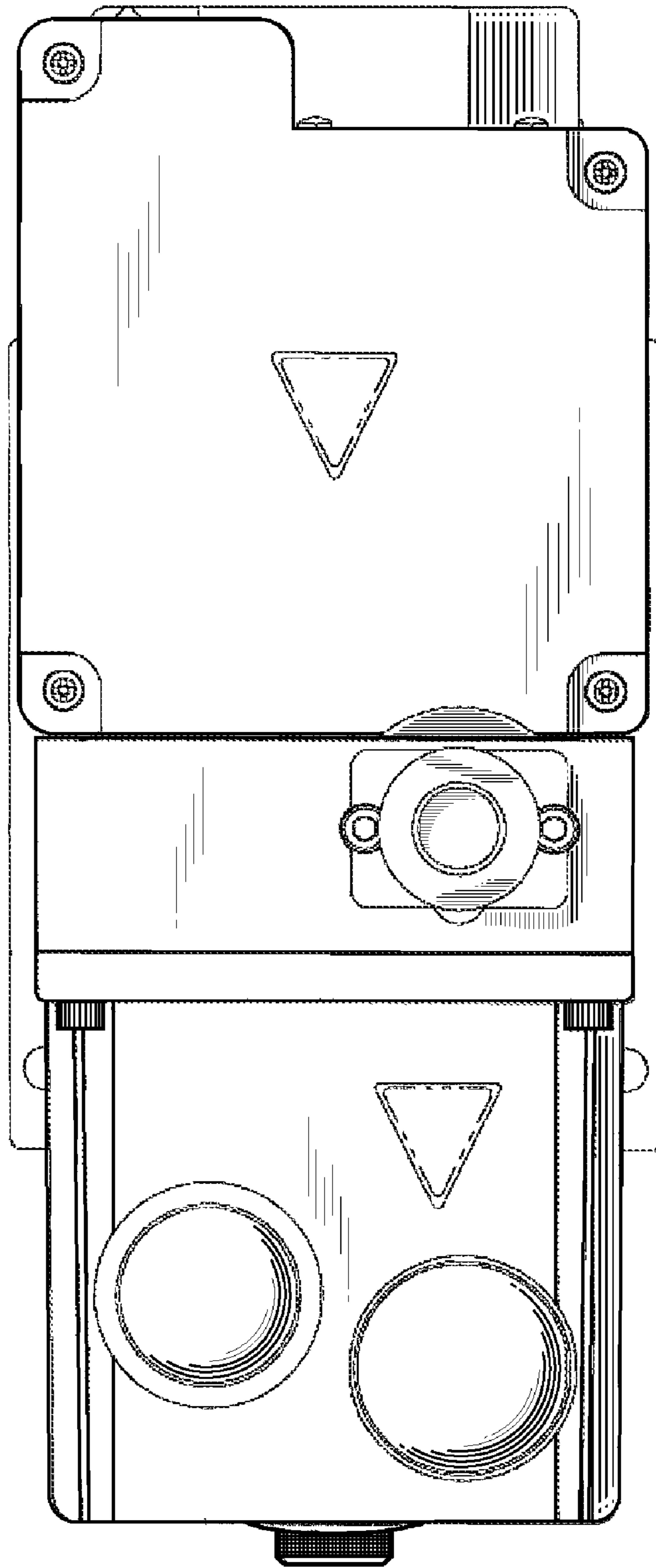


FIG. 4

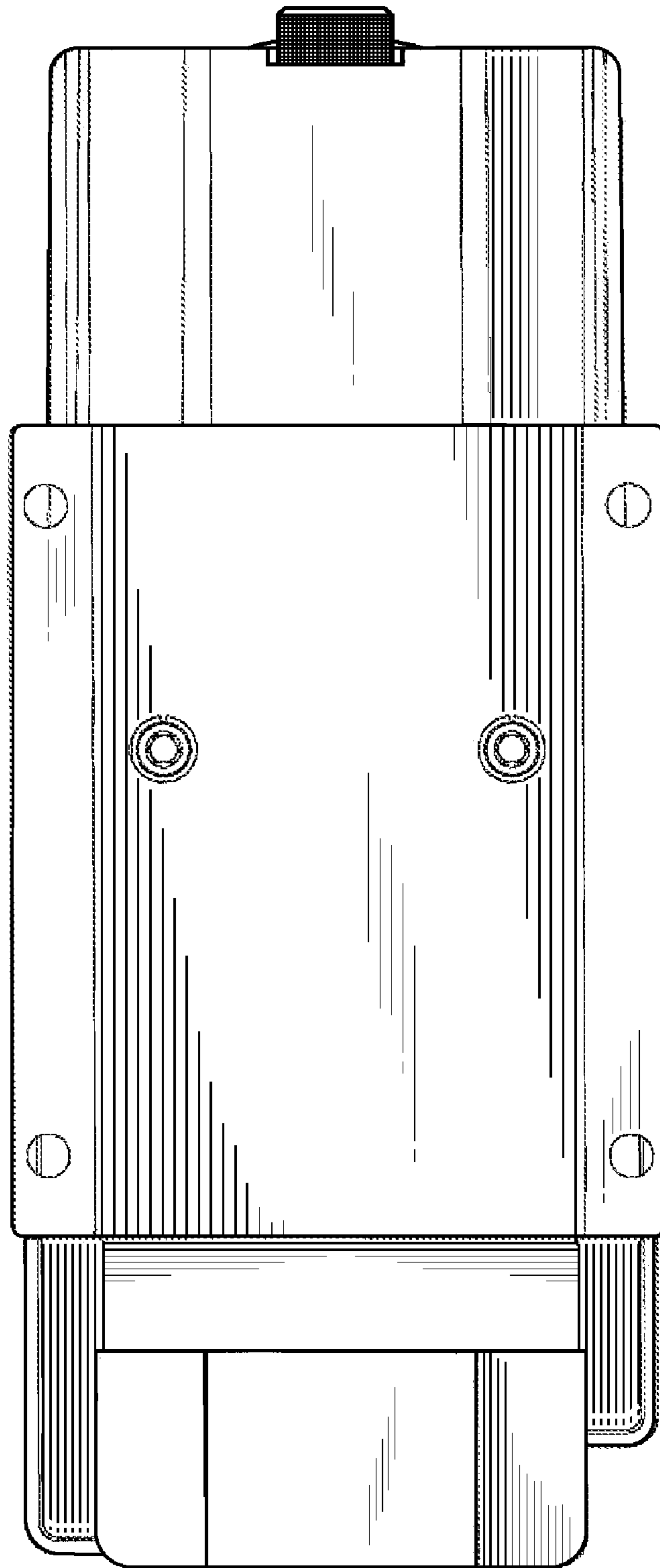


FIG. 5

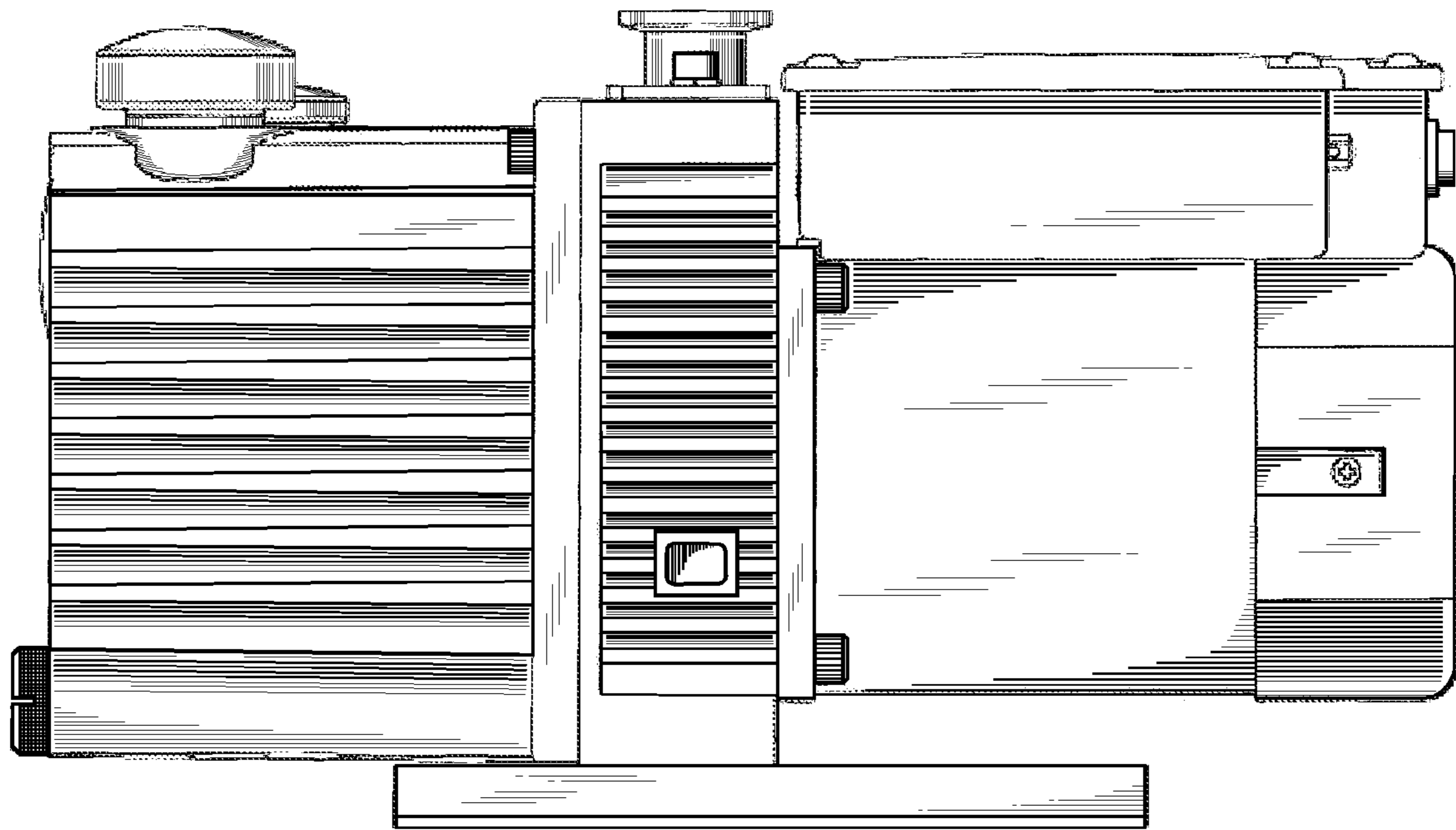


FIG. 6

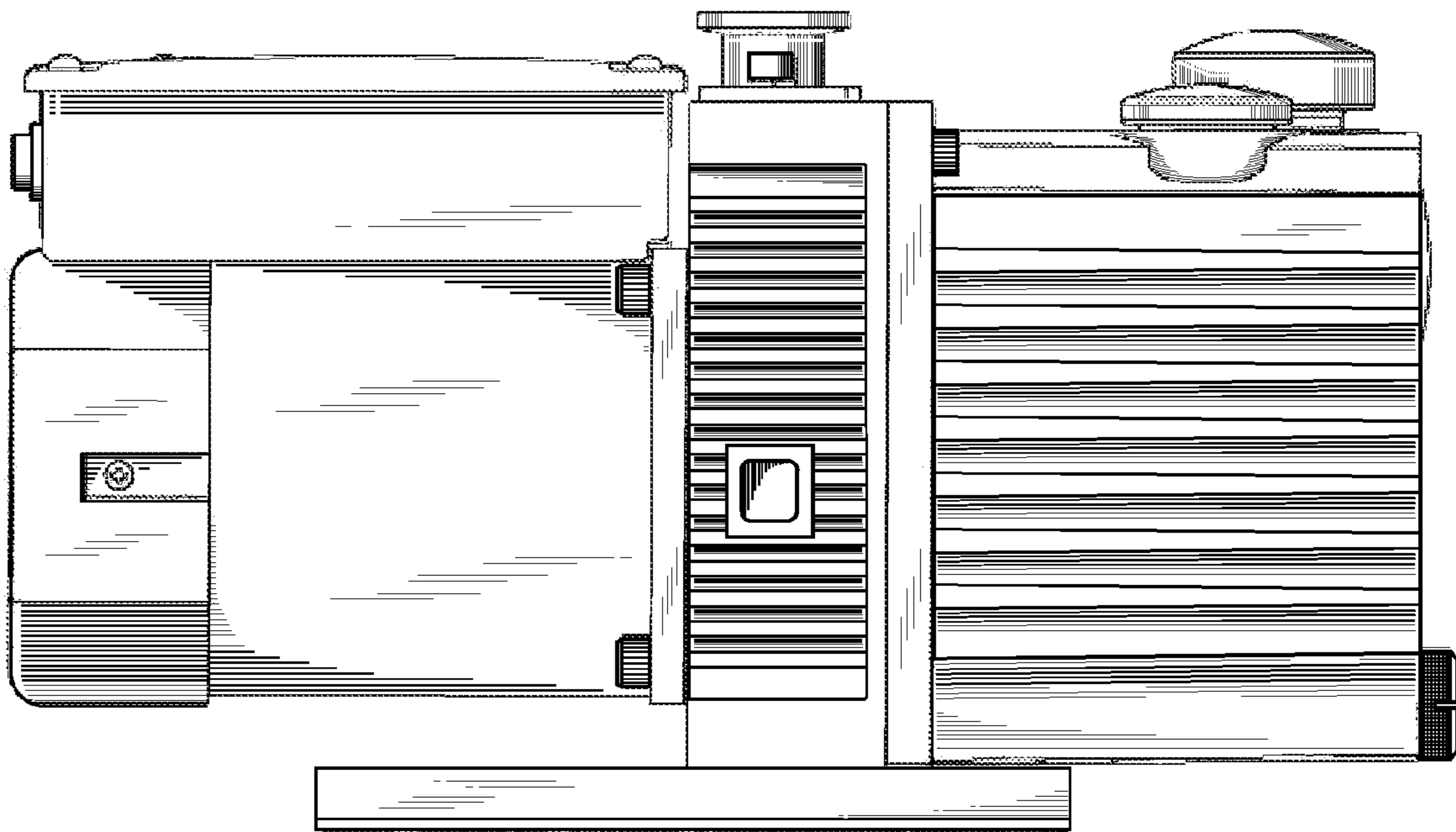


FIG. 7

UNITED STATES PATENT AND TRADEMARK OFFICE
CERTIFICATE OF CORRECTION

PATENT NO. : D619,624 S
APPLICATION NO. : 29/350093
DATED : July 13, 2010
INVENTOR(S) : Kotaro Iwagoshi and Tsuneo Osaka

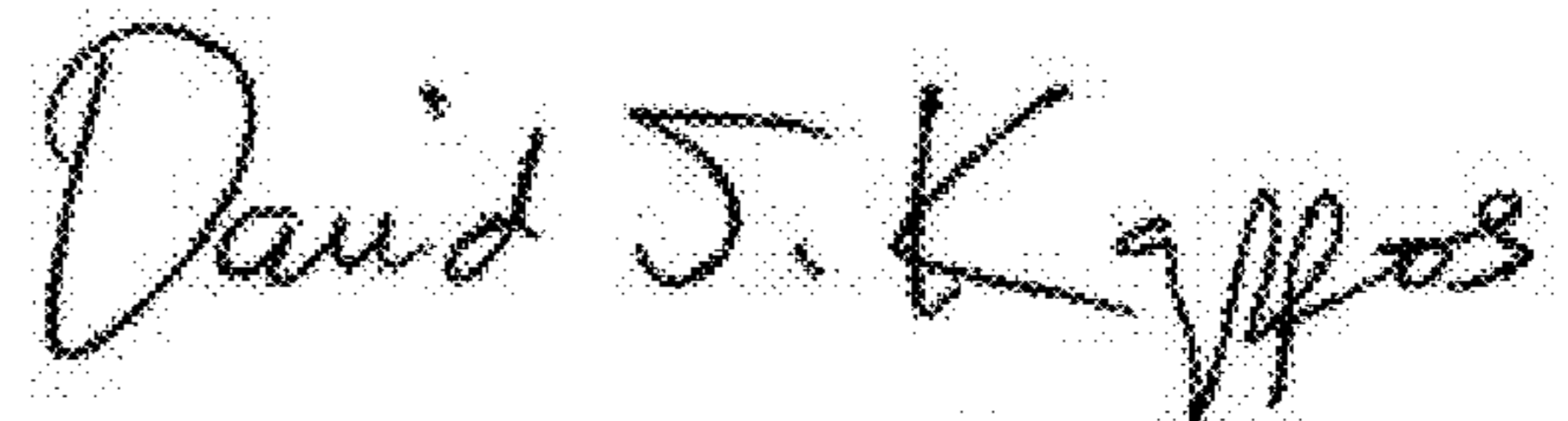
Page 1 of 1

It is certified that error appears in the above-identified patent and that said Letters Patent is hereby corrected as shown below:

Title Page;

(73) Assignee: The address "Saito-Shu" should be changed to --Saito-Shi--.

Signed and Sealed this
Fifth Day of April, 2011

A handwritten signature in black ink that reads "David J. Kappos". The signature is written in a cursive, slightly slanted style.

David J. Kappos
Director of the United States Patent and Trademark Office