



US00D619623S

(12) **United States Design Patent**
Braswell

(10) **Patent No.:** **US D619,623 S**
(45) **Date of Patent:** **** Jul. 13, 2010**

- (54) **FOUR BARREL CARBURETOR**
- (75) Inventor: **David Braswell**, Marana, AZ (US)
- (73) Assignee: **POW Engineering, Inc.**, Marana, AZ (US)
- (**) Term: **14 Years**
- (21) Appl. No.: **29/307,115**
- (22) Filed: **Mar. 31, 2008**
- (51) **LOC (9) Cl.** **15-01**
- (52) **U.S. Cl.** **D15/6**
- (58) **Field of Classification Search** D15/6,
D15/5; 261/18.3, 23.2, 44.1, 78.1, 45, 70,
261/DIG. 12, DIG. 56, DIG. 50
See application file for complete search history.

6,554,258	B2	4/2003	Braswell	
6,701,784	B1	3/2004	Matussek et al.	
6,729,608	B1 *	5/2004	Del Sole 261/38
6,874,768	B2	4/2005	Grant	
D543,555	S	5/2007	Braswell et al.	
D543,999	S *	6/2007	Braswell et al. D15/6
D555,668	S	11/2007	Benoit	
D608,373	S *	1/2010	Stewart, Jr. D15/6

* cited by examiner

Primary Examiner—Lisa P Lichtenstein
(74) *Attorney, Agent, or Firm*—Portland Intellectual Property, LLC

(57) **CLAIM**

The ornamental design for a four barrel carburetor, substantially as shown and described.

DESCRIPTION

FIG. 1 is a three-dimensional view of a four barrel carburetor showing my new design, looking upwardly toward a bottom portion thereof; and,

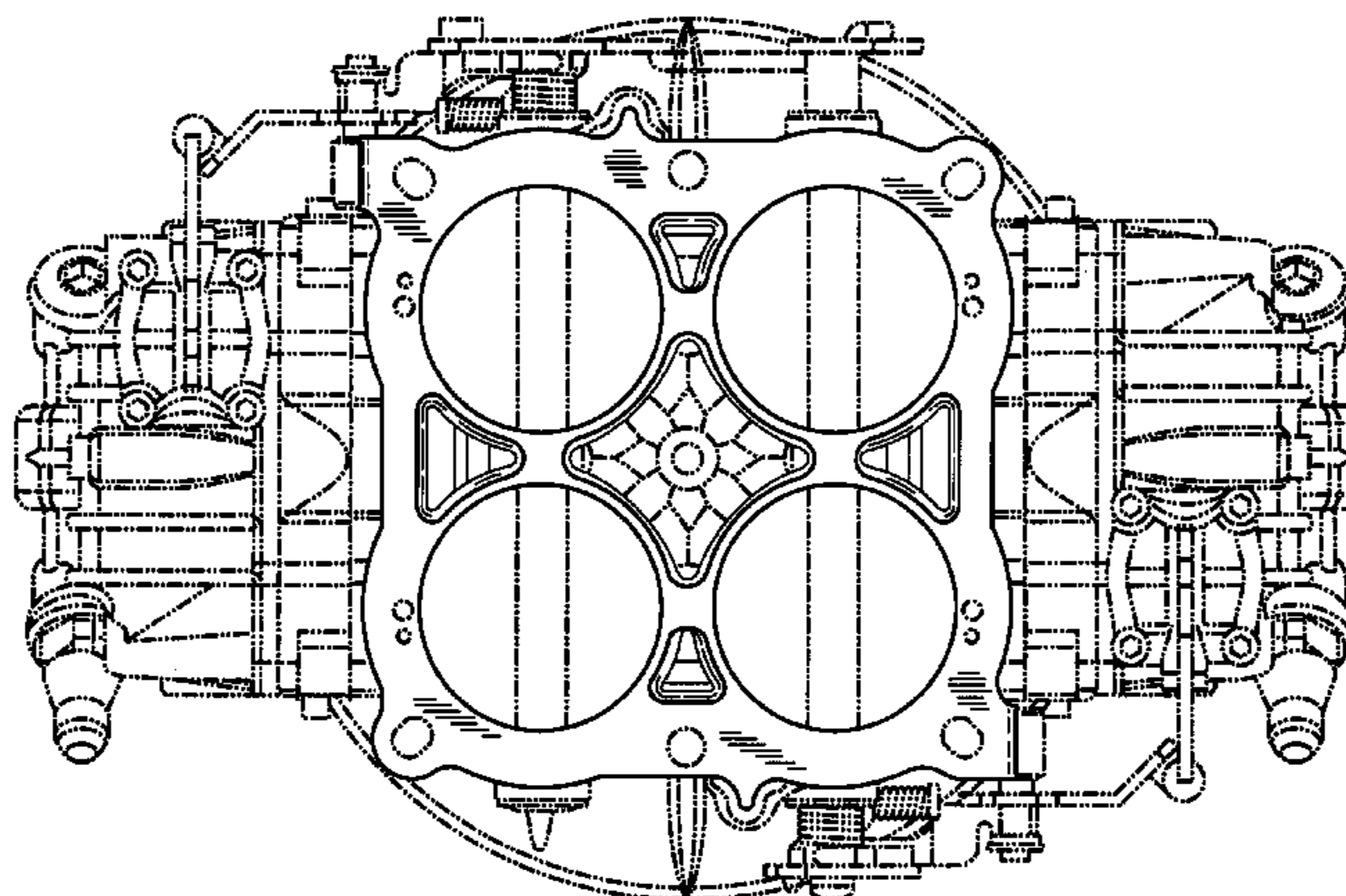
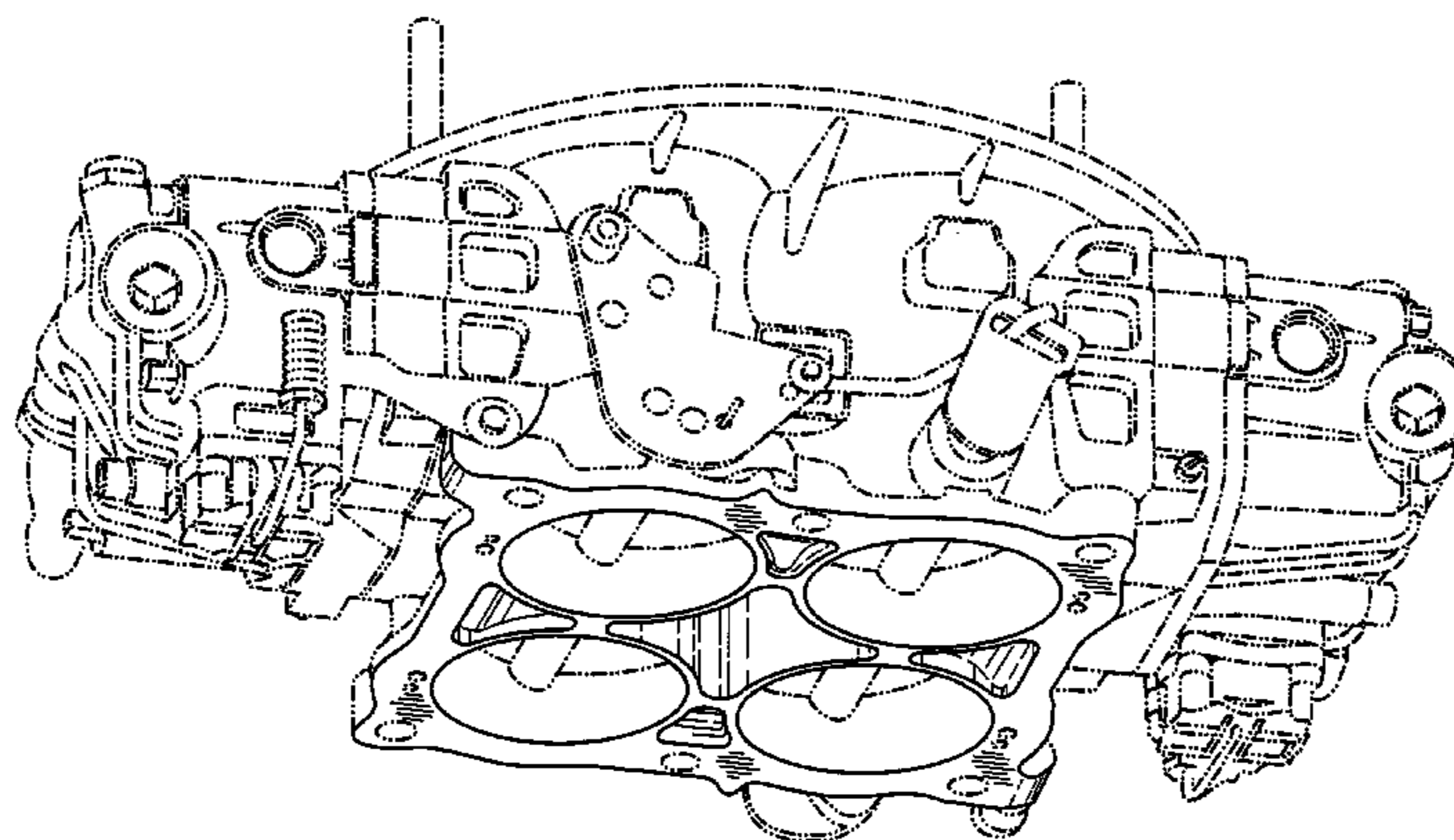
FIG. 2 is a plan view of said bottom portion.

The broken line showing of portions of a four barrel carburetor is included for the purpose of illustrating environmental structure and forms no part of the claimed design.

(56) **References Cited**
U.S. PATENT DOCUMENTS

3,875,267	A	4/1975	Seki et al.	
6,286,817	B1 *	9/2001	Grant 261/70
6,364,291	B1	4/2002	Grant	
D457,169	S	5/2002	Braswell	
D457,170	S	5/2002	Braswell	
D457,894	S	5/2002	Braswell	
D457,895	S	5/2002	Braswell	
D457,896	S	5/2002	Braswell	

1 Claim, 2 Drawing Sheets



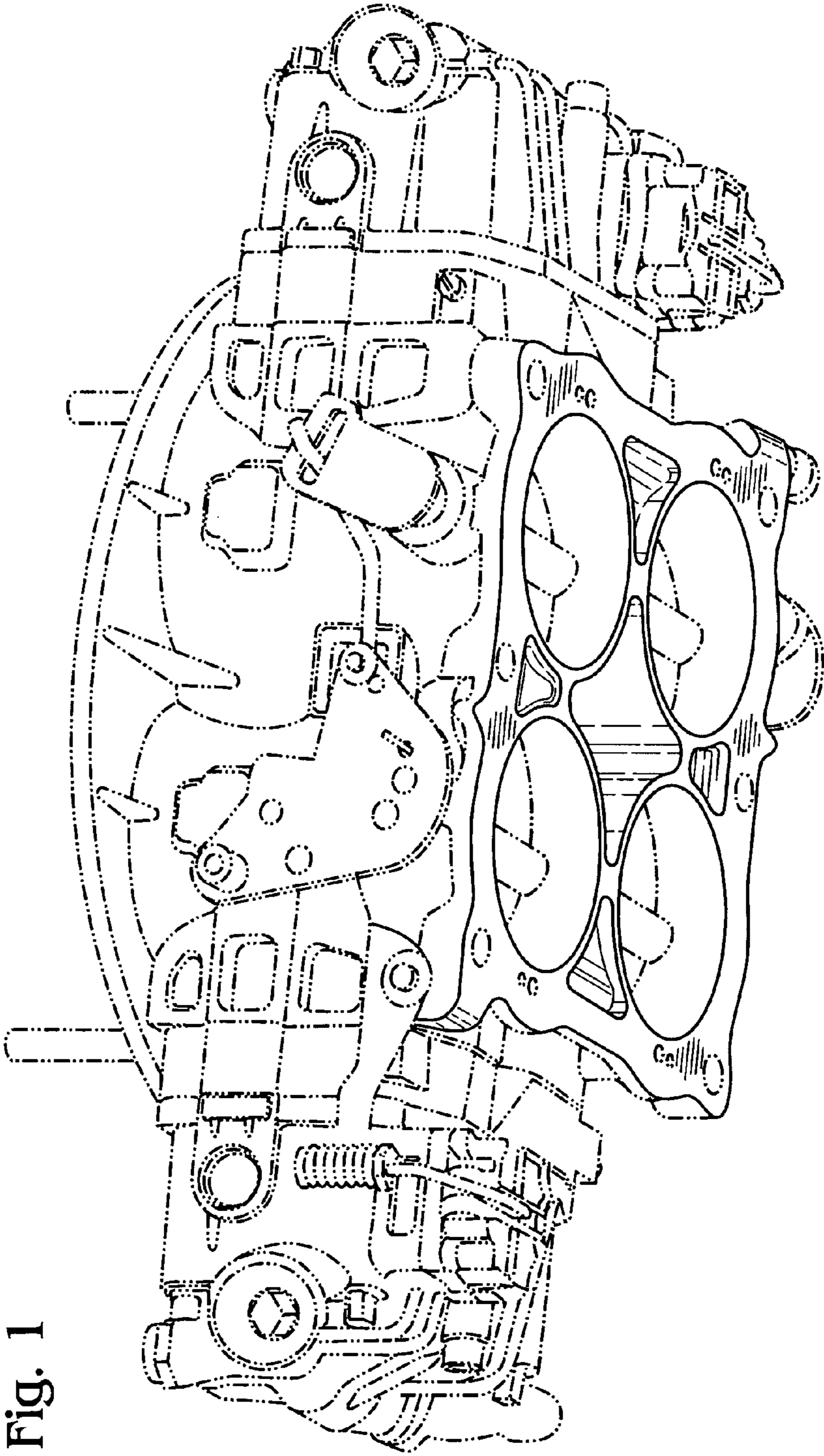


Fig. 1

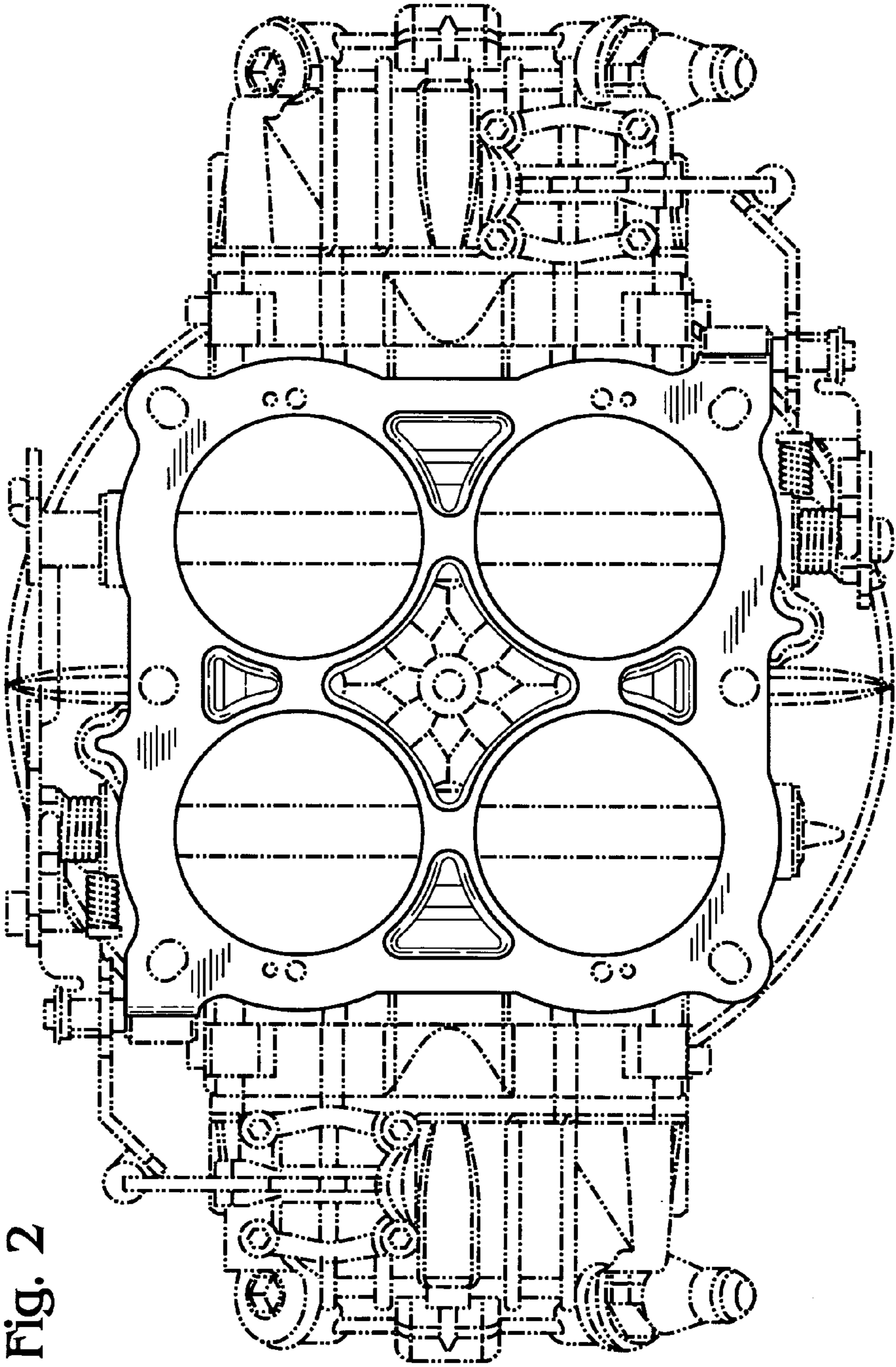


Fig. 2