



US00D619621S

(12) **United States Design Patent**
Braswell

(10) **Patent No.:** **US D619,621 S**
(45) **Date of Patent:** **** Jul. 13, 2010**

(54) **FOUR BARREL CARBURETOR**

(75) Inventor: **David Braswell**, Marana, AZ (US)

(73) Assignee: **POW Engineering, Inc.**, Marana, AZ (US)

(**) Term: **14 Years**

(21) Appl. No.: **29/307,051**

(22) Filed: **Mar. 27, 2008**

(51) **LOC (9) Cl.** **15-01**

(52) **U.S. Cl.** **D15/6**

(58) **Field of Classification Search** D15/6,
D15/5; 261/18.3, 23.2, 44.1, 78.1, 45, 70,
261/DIG. 12, DIG. 56, DIG. 50

See application file for complete search history.

(56) **References Cited**

U.S. PATENT DOCUMENTS

3,875,267	A	4/1975	Seki et al.	
6,286,817	B1 *	9/2001	Grant	261/70
D457,169	S	5/2002	Braswell	
D457,170	S	5/2002	Braswell	
D457,894	S	5/2002	Braswell	
D457,895	S	5/2002	Braswell	
D457,896	S	5/2002	Braswell	
6,554,258	B2	4/2003	Braswell	

6,634,291	B2	10/2003	Huang	
6,701,784	B1	3/2004	Matusek et al.	
6,729,608	B1 *	5/2004	Del Sole	261/38
6,874,768	B2	4/2005	Grant	
D543,555	S	5/2007	Braswell et al.	
D543,999	S *	6/2007	Braswell et al.	D15/6
D555,668	S	11/2007	Benoit	
D608,373	S *	1/2010	Stewart, Jr.	D15/6

* cited by examiner

Primary Examiner—Lisa P Lichtenstein

(74) *Attorney, Agent, or Firm*—Portland Intellectual Property, LLC

(57) **CLAIM**

The ornamental design for a four barrel carburetor, substantially as shown and described.

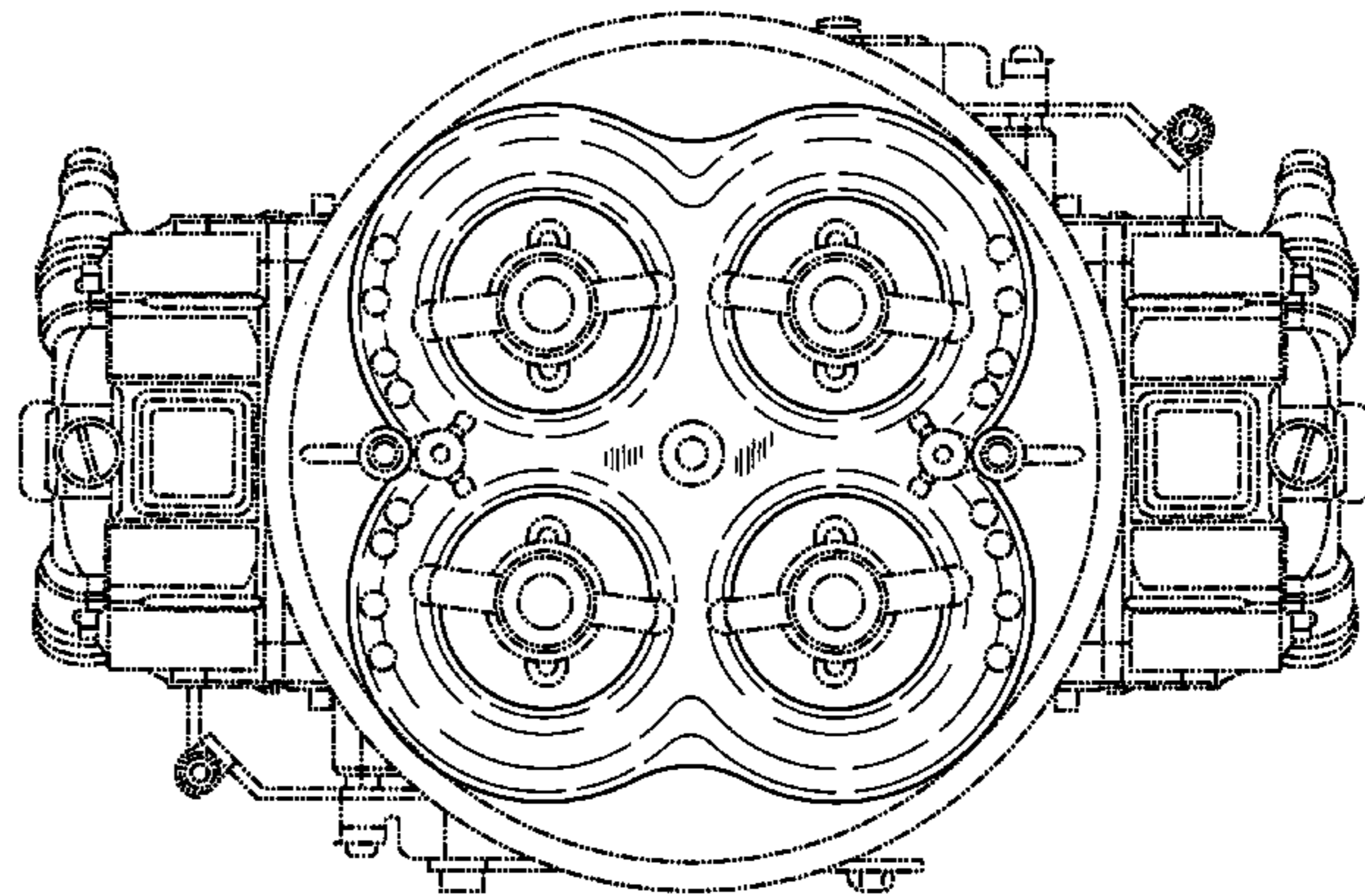
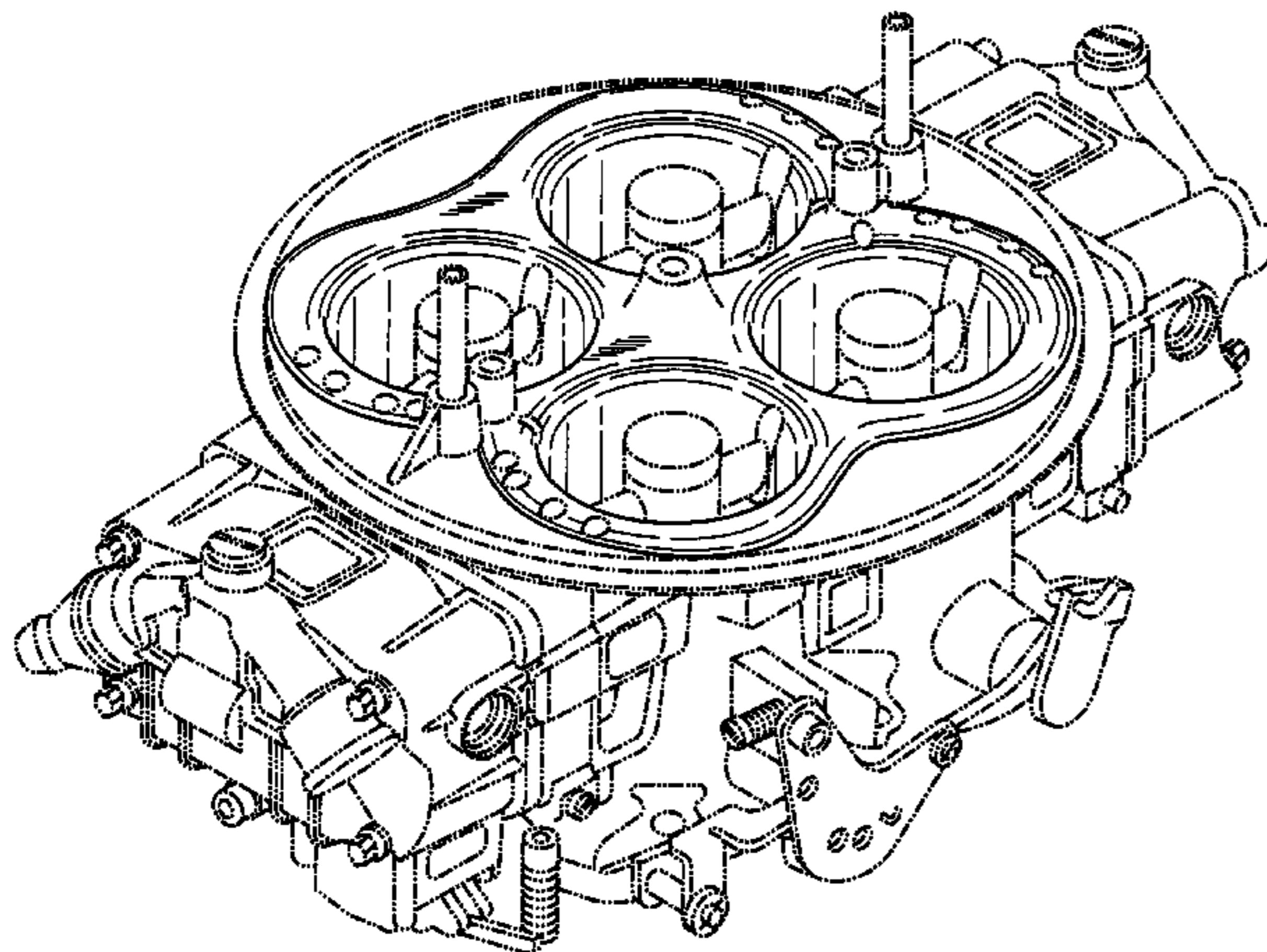
DESCRIPTION

FIG. 1 is a three-dimensional, isometric view of a four barrel carburetor showing my new design, looking downwardly at a top portion thereof; and,

FIG. 2 is a plan view of said top portion.

The broken line showing of portions of a four barrel carburetor is included for the purpose of illustrating environmental structure and forms no part of the claimed design.

1 Claim, 2 Drawing Sheets



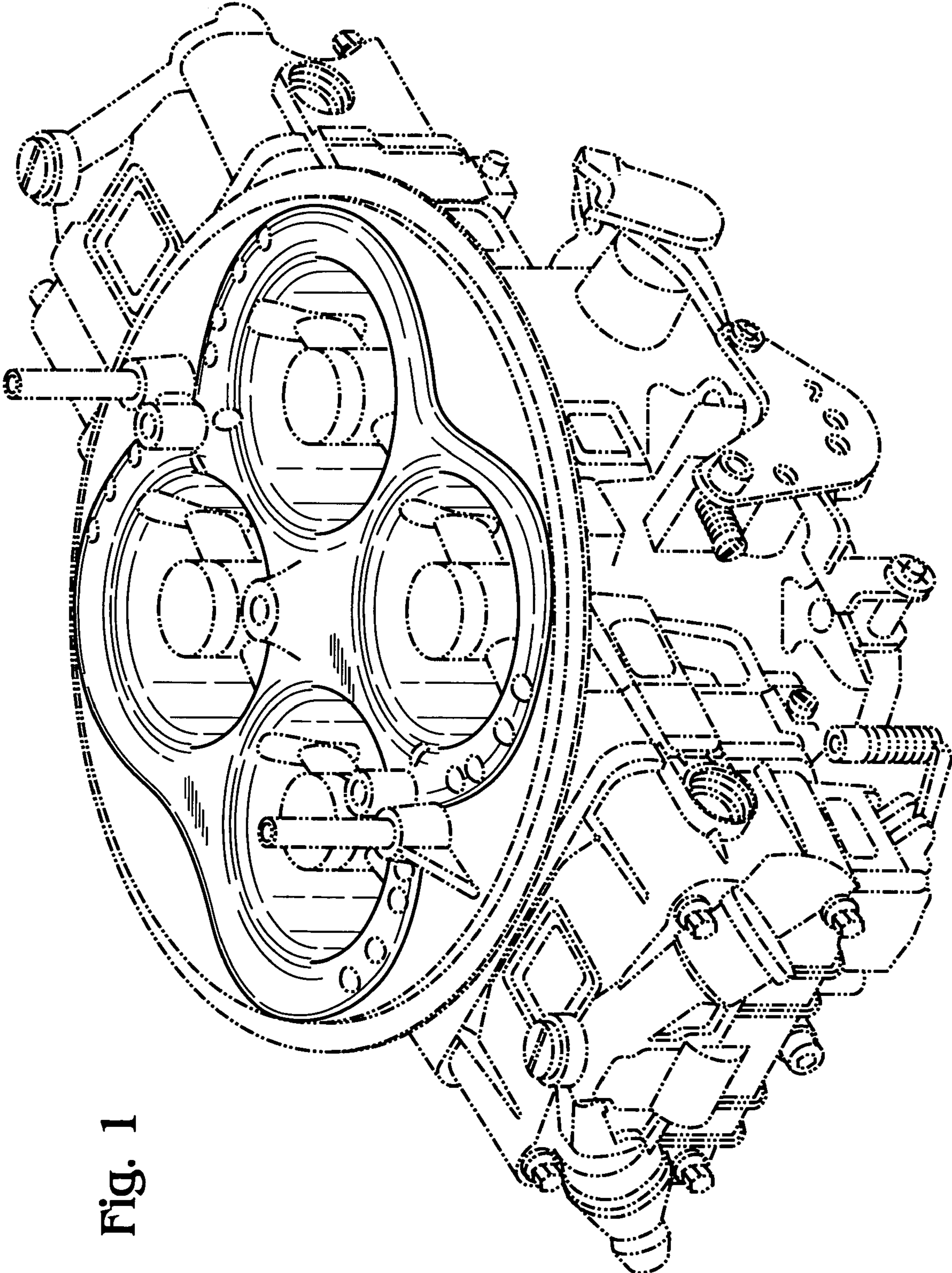


Fig. 1

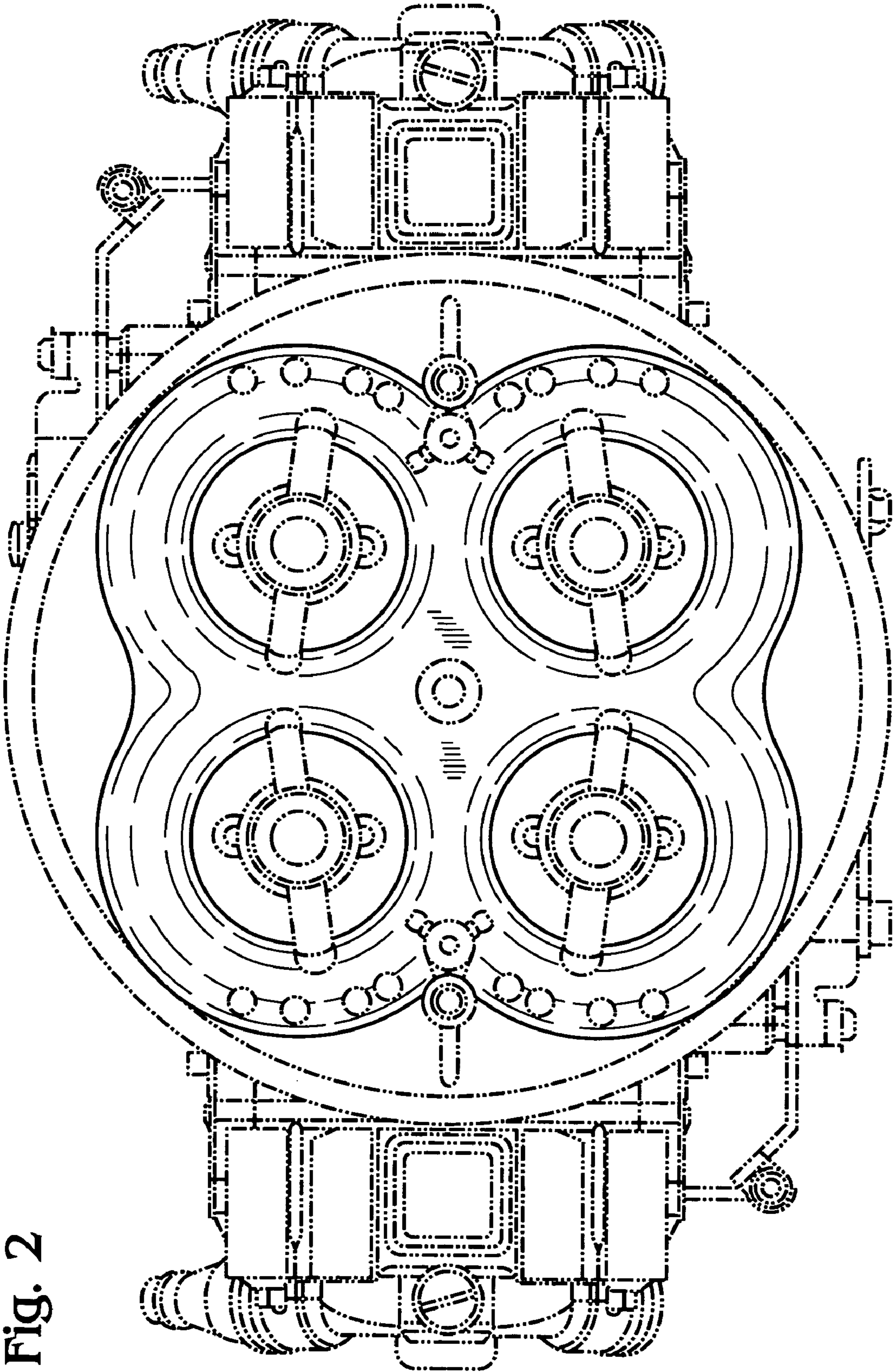


Fig. 2