



US00D619586S

(12) **United States Design Patent**
Richter

(10) **Patent No.:** **US D619,586 S**
(45) **Date of Patent:** **** Jul. 13, 2010**

(54) **APPARATUS HOLDER SUPPORT DEVICE**

(76) **Inventor:** **Harald Richter**, Höhenstrasse 32, 75331 Engelsbrand (DE)

(**) **Term:** **14 Years**

(21) **Appl. No.:** **29/315,996**

(22) **Filed:** **Aug. 14, 2009**

(51) **LOC (9) Cl.** **08-07**

(52) **U.S. Cl.** **D14/447; D14/253**

(58) **Field of Classification Search** D14/447, D14/451, 452, 432, 439, 448, 457, 203.8, D14/217, 224, 224.1, 238.1, 239, 251, 252, D14/253, 371, 372, 373, 374, 375, 376, 377, D14/378, 379, 381, 382, 434, 126; D6/310, D6/311, 312, 313, 314, 406.3, 406.4, 406.5, D6/406.6, 419, 420; D8/383, 373, 380; D12/415; 379/454, 455; 312/223.3; 248/917, 918, 248/919, 920, 921, 922, 923, 924, 447.2, 248/455, 460, 228.6, 276.1, 281.11; 361/679.02, 361/679.04, 679.06, 679.07, 679.09, 679.21, 361/679.26, 679.27, 679.3, 679.55, 679.56
See application file for complete search history.

(56) **References Cited**

U.S. PATENT DOCUMENTS

D337,333	S	*	7/1993	Turk	D14/251
D521,850	S	*	5/2006	Richter et al.	D8/354
D545,825	S	*	7/2007	Richter	D14/447
D545,826	S	*	7/2007	Richter	D14/447
D567,810	S	*	4/2008	Yeh	D14/253
D579,854	S	*	11/2008	Mo	D12/415
D587,188	S	*	2/2009	Mo	D12/415
D588,903	S	*	3/2009	Carnevali	D8/355
D591,755	S	*	5/2009	Richter	D14/447
D593,103	S	*	5/2009	Richter	D14/447

D599,355	S	*	9/2009	Richter	D14/447
D602,024	S	*	10/2009	Richter	D14/447
D602,025	S	*	10/2009	Richter	D14/447

* cited by examiner

Primary Examiner—Jennifer Rivard

Assistant Examiner—Angela J Lee

(74) *Attorney, Agent, or Firm*—Klaus J. Bach

(57) **CLAIM**

The ornamental design for an apparatus holder support device, as shown and described.

DESCRIPTION

FIG. 1 is a perspective view of an apparatus holder support device;

FIG. 2 is a front side view of the apparatus holder support device shown in FIG. 1,

FIG. 3 is a bottom view of the apparatus holder support device shown in FIG. 2,

FIG. 4 is a left end view of the apparatus holder support device shown in FIG. 2,

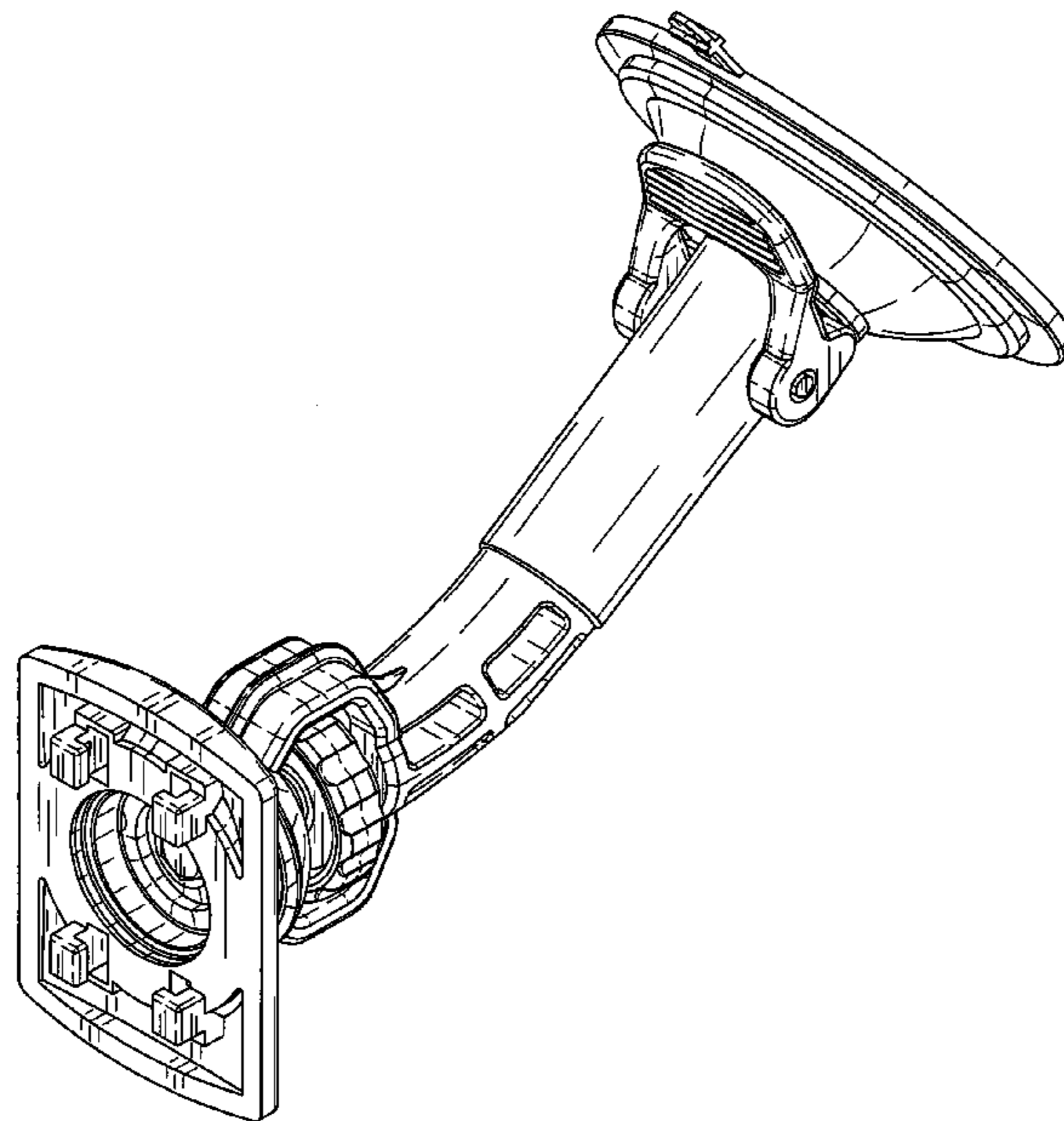
FIG. 5 is a right end view of the apparatus holder support device shown in FIG. 2,

FIG. 6 is a rear side view of the apparatus holder support device shown in FIG. 2, and,

FIG. 7 is a top view of the apparatus holder support device shown in FIG. 2.

The apparatus holder support device is used for supporting an apparatus support device specifically adapted to cradling a particular apparatus such as a wireless phone, GPS, a PDA device, a telephone or other equipment in a convenient position on a smooth surface such as a windshield of a motor vehicle.

1 Claim, 6 Drawing Sheets



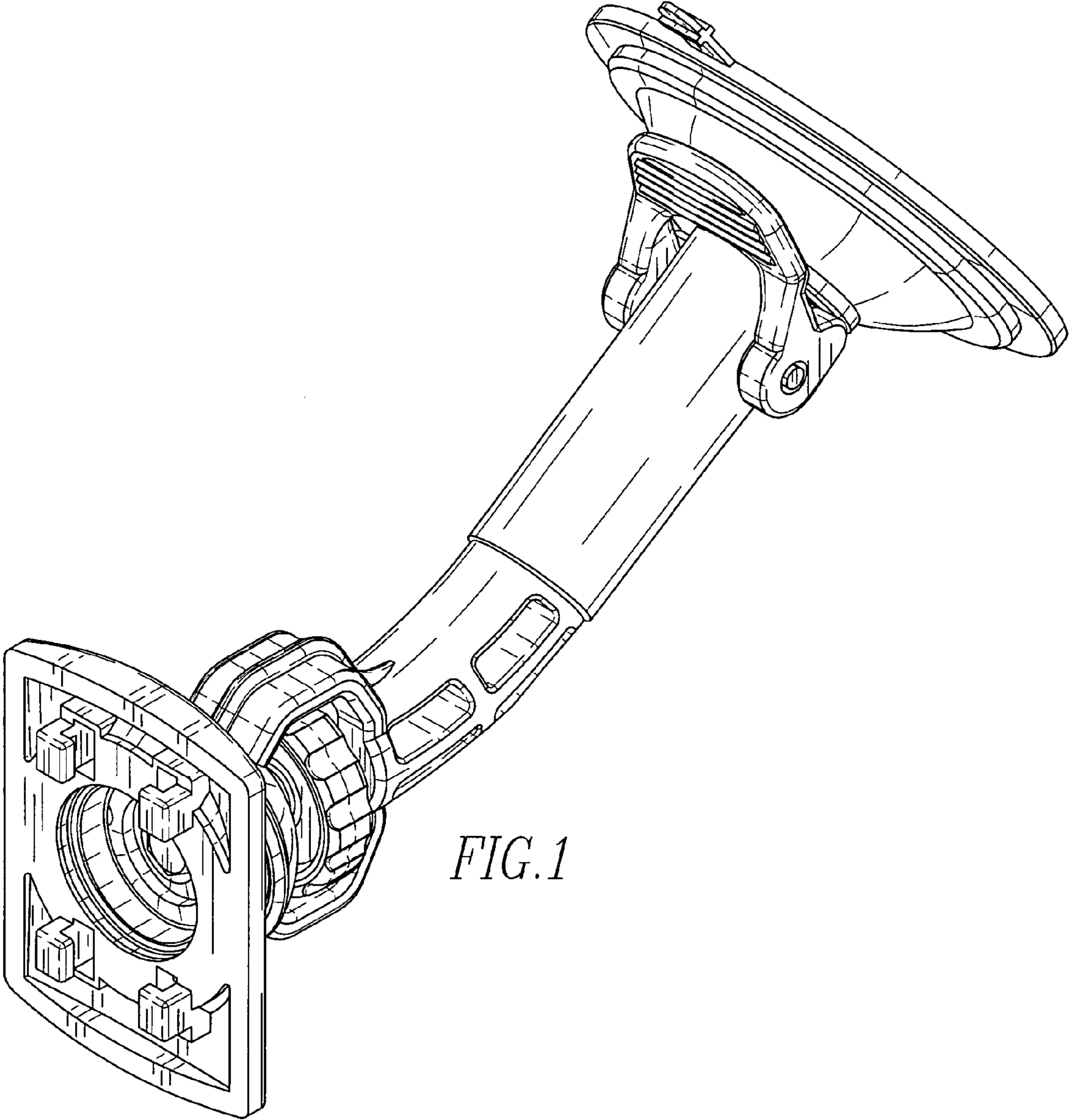


FIG. 1

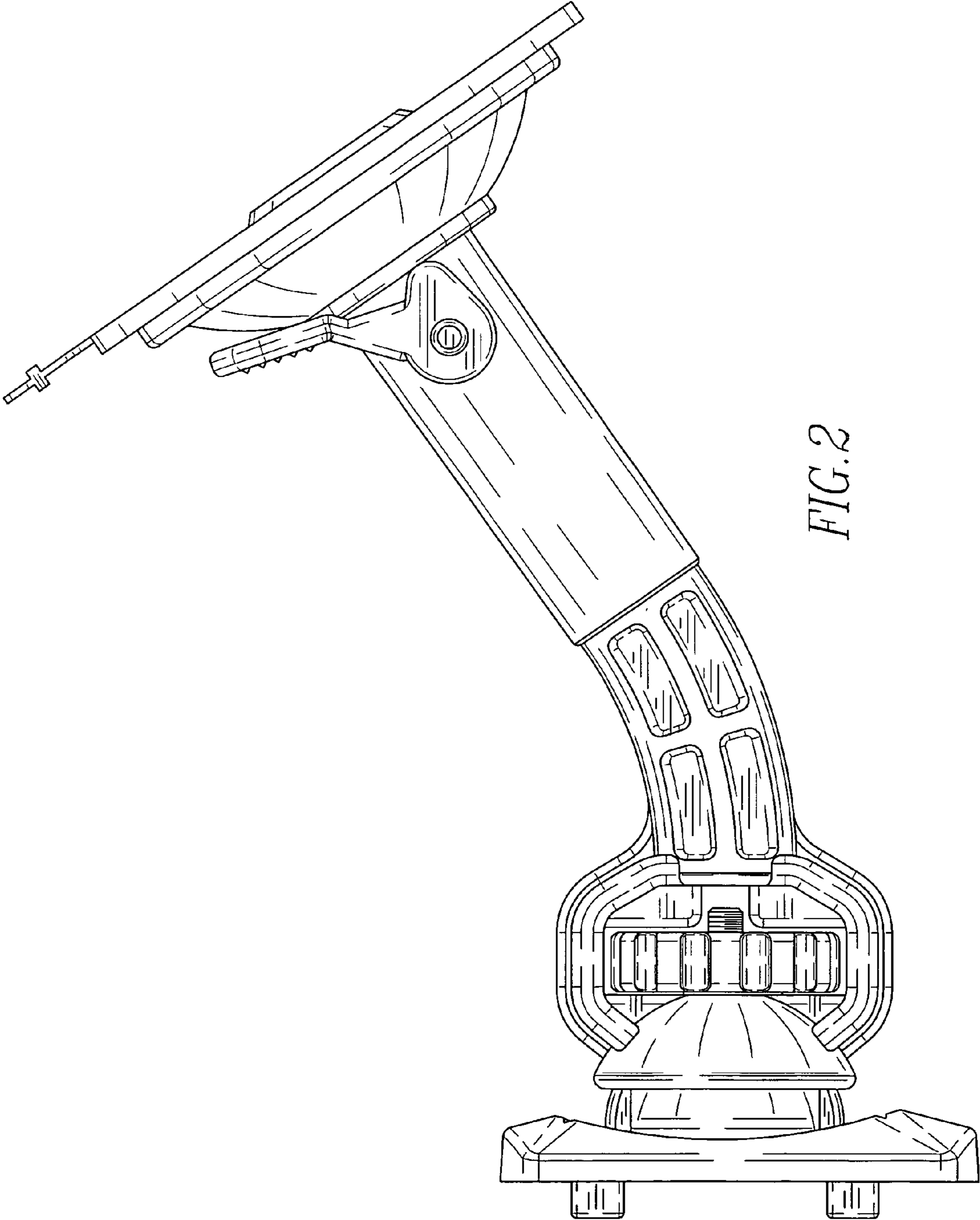


FIG. 2

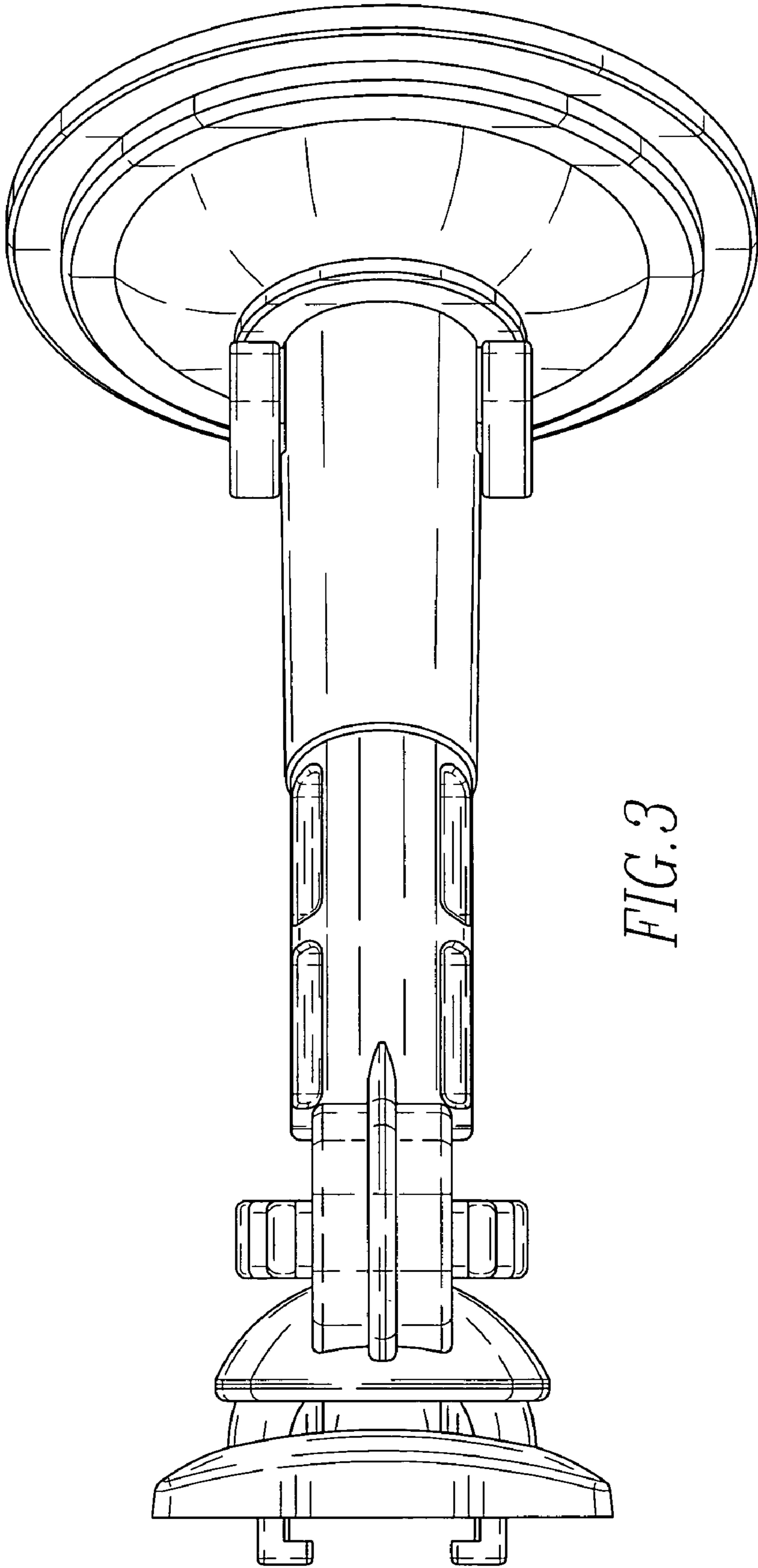


FIG. 3

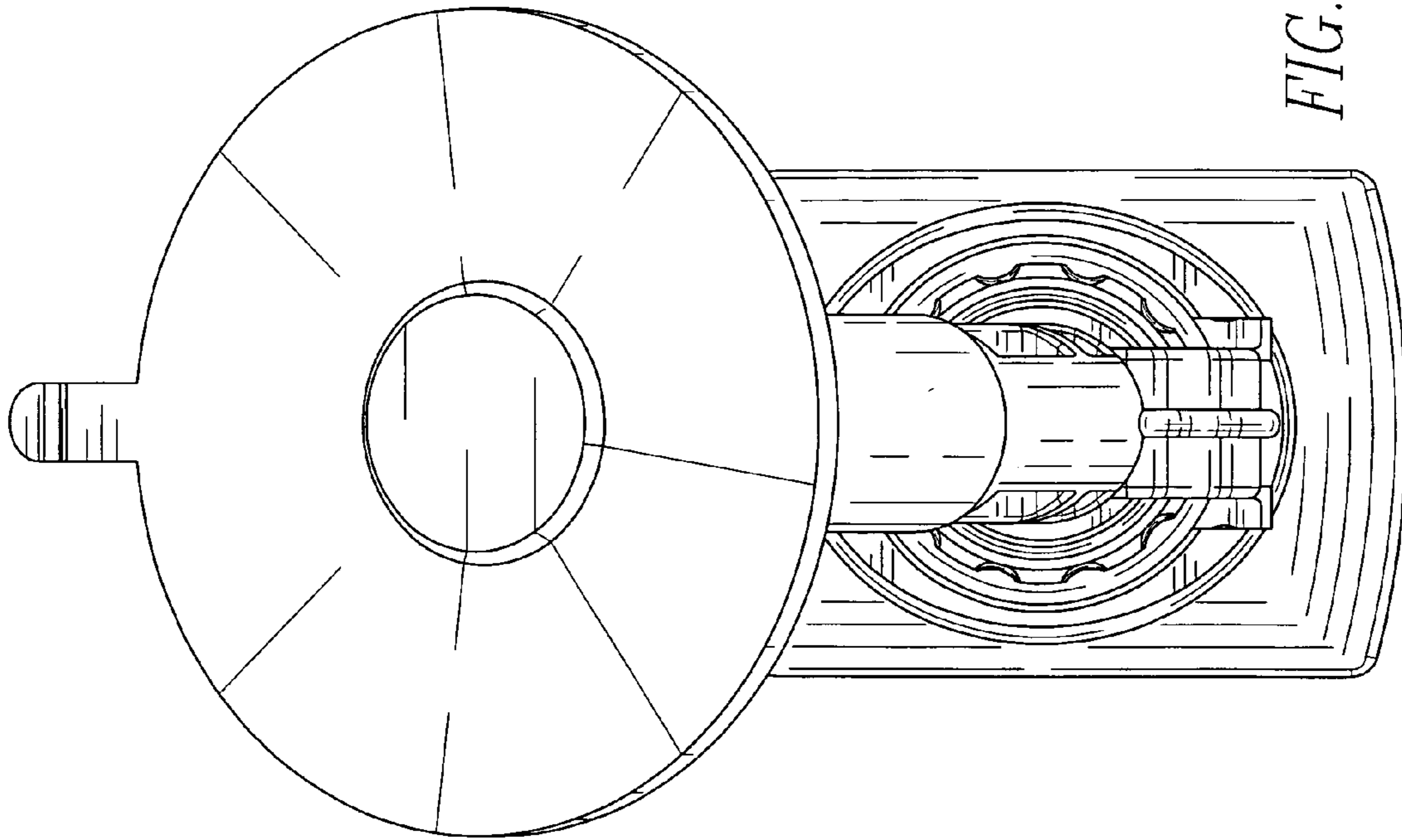


FIG. 5

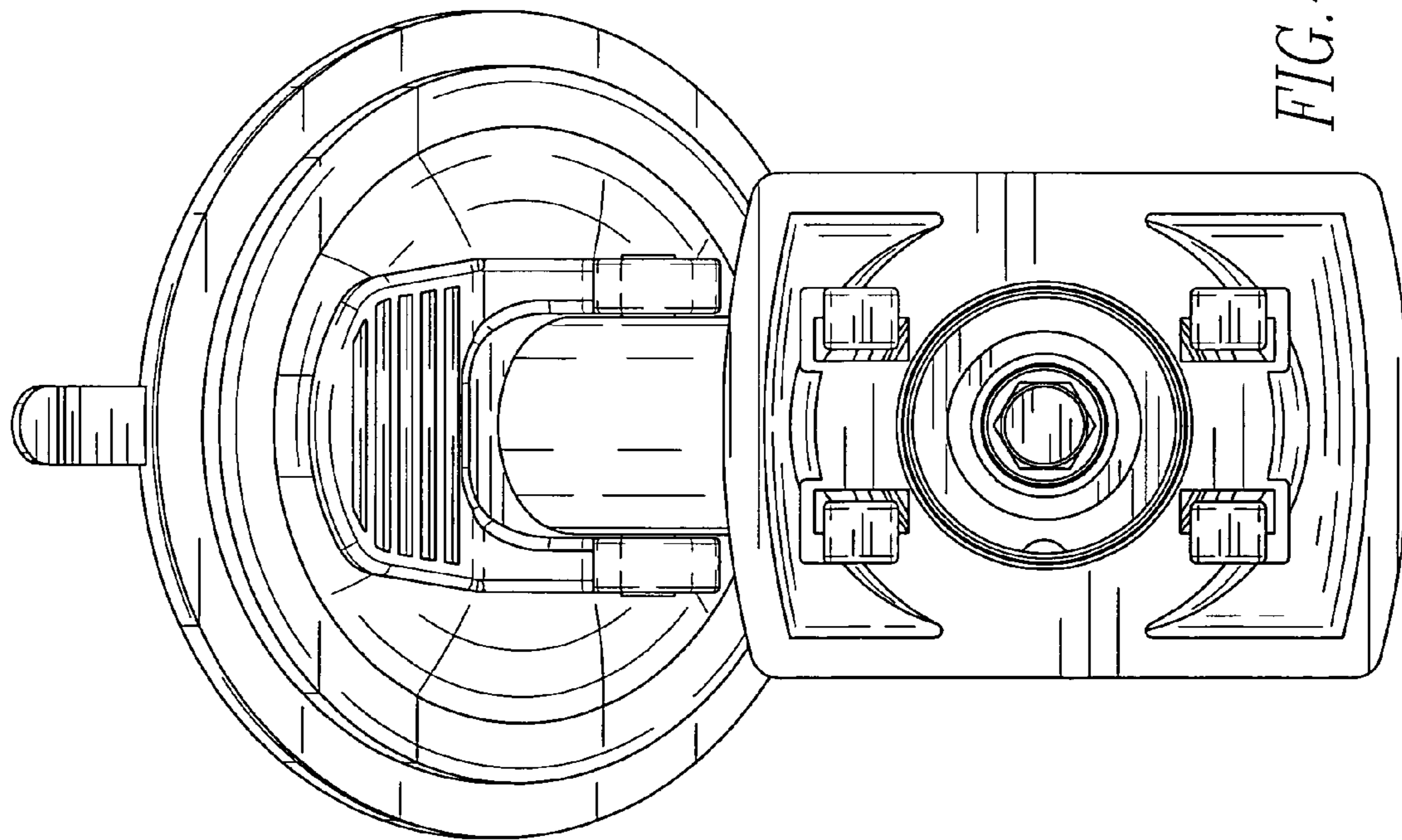


FIG. 4

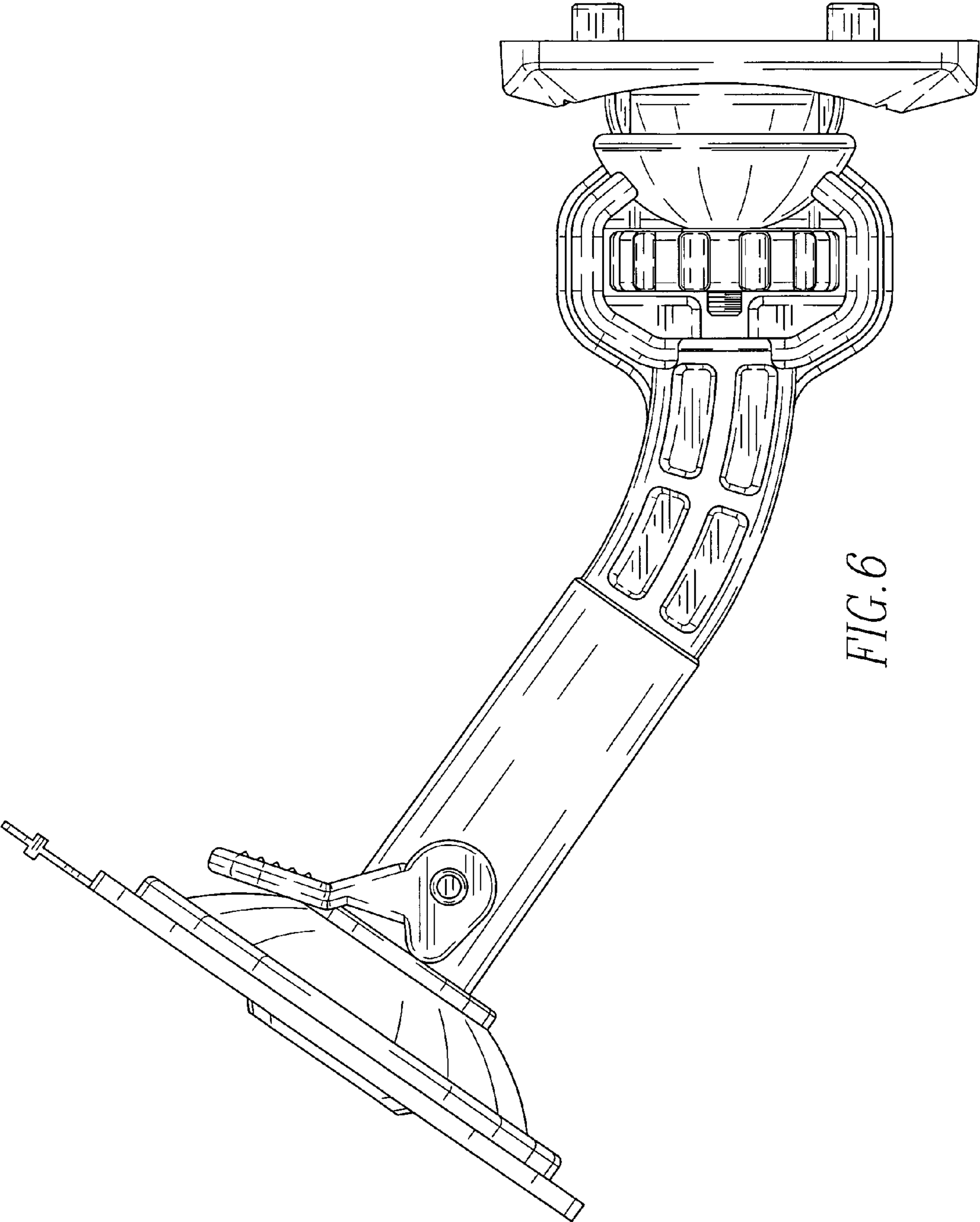


FIG. 6

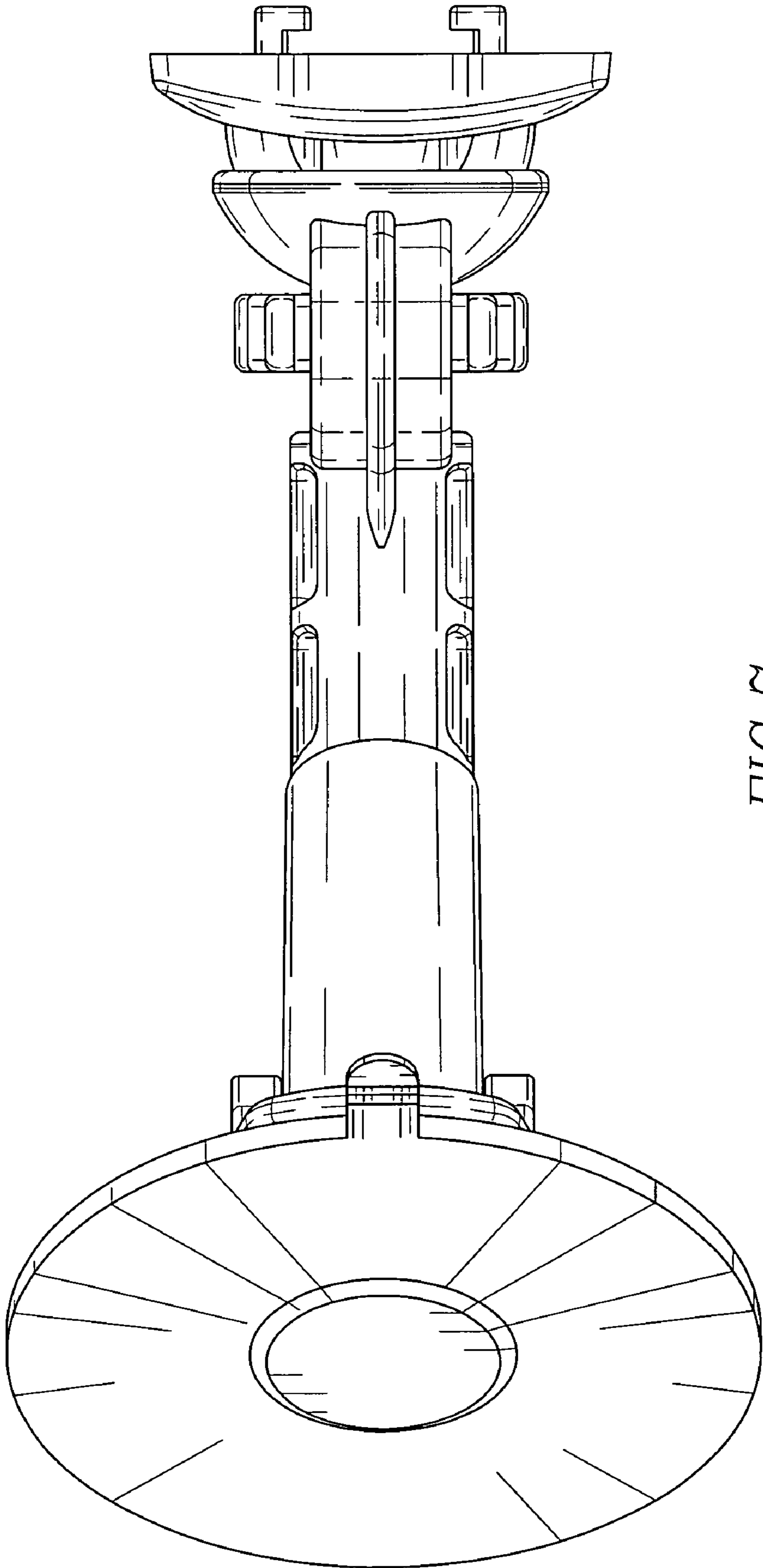


FIG. 7