



US00D619585S

(12) **United States Design Patent**
Wang

(10) **Patent No.:** **US D619,585 S**
(45) **Date of Patent:** **** Jul. 13, 2010**

(54) **FRONT BEZEL FOR A COMPUTER ENCLOSURE**

(75) Inventor: **Ren-Wen Wang**, Shenzhen (CN)

(73) Assignee: **Hon Hai Precision Industry Co., Ltd.**,
Tu-Cheng, Taipei Hsien (TW)

(**) Term: **14 Years**

(21) Appl. No.: **29/336,889**

(22) Filed: **May 11, 2009**

(30) **Foreign Application Priority Data**

Feb. 24, 2009 (CN) 2009 3 0300679

(51) **LOC (9) Cl.** **14-02**

(52) **U.S. Cl.** **D14/444**

(58) **Field of Classification Search** D14/441-446;
D13/162, 184, 199; 312/223.2; 361/679.01,
361/679.02, 679.33, 679.55, 679.27, 727;
369/34.01, 36.01

See application file for complete search history.

(56) **References Cited**

U.S. PATENT DOCUMENTS

5,169,218 A * 12/1992 Chu 312/223.2
5,547,272 A * 8/1996 Paterson et al. 312/223.2

6,967,832 B2 * 11/2005 Mariano 361/679.27
D514,581 S * 2/2006 Zhang et al. D14/446
D516,659 S * 3/2006 Chiang D21/801
D517,562 S * 3/2006 Chen et al. D14/444
D552,105 S * 10/2007 Ma D14/441
D554,645 S * 11/2007 Li et al. D14/441
D573,147 S * 7/2008 Uliano et al. D14/441

* cited by examiner

Primary Examiner—Freda S Nunn

(74) *Attorney, Agent, or Firm*—Frank R. Niranjan

(57) **CLAIM**

The ornamental design for front bezel for a computer enclosure, as shown and described.

DESCRIPTION

FIG. 1 is a perspective view of front bezel for a computer enclosure showing my design;

FIG. 2 is a front elevational view thereof;

FIG. 3 is a left side, elevational view thereof;

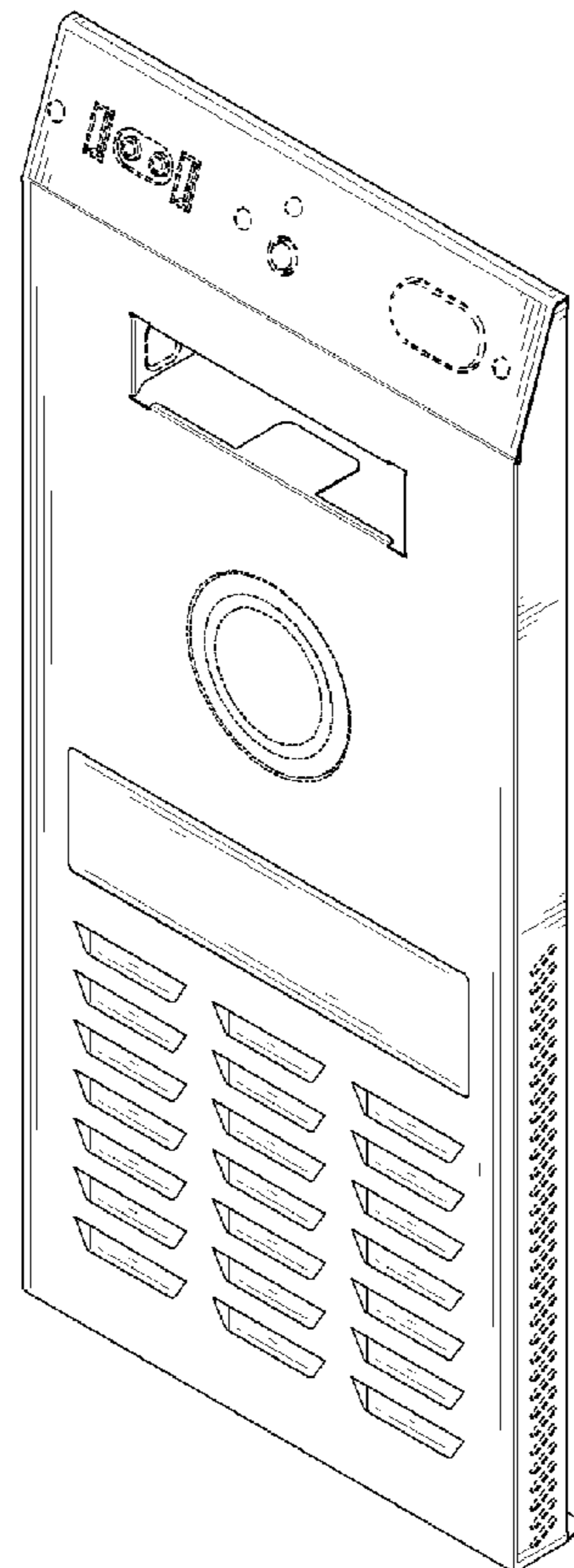
FIG. 4 is a right side, elevational view thereof;

FIG. 5 is a top plan view thereof; and,

FIG. 6 is a bottom plan view thereof.

The portions of the front bezel for a computer enclosure shown in broken lines form no part of the claimed design.

1 Claim, 6 Drawing Sheets



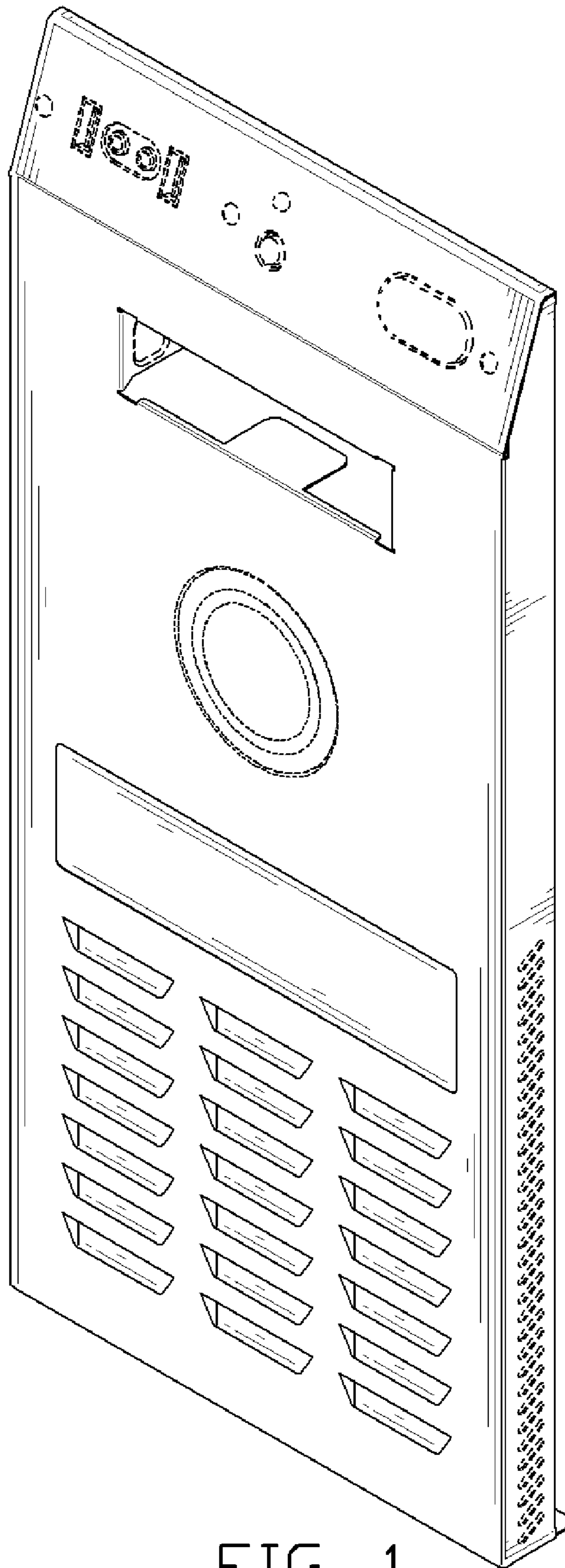


FIG. 1

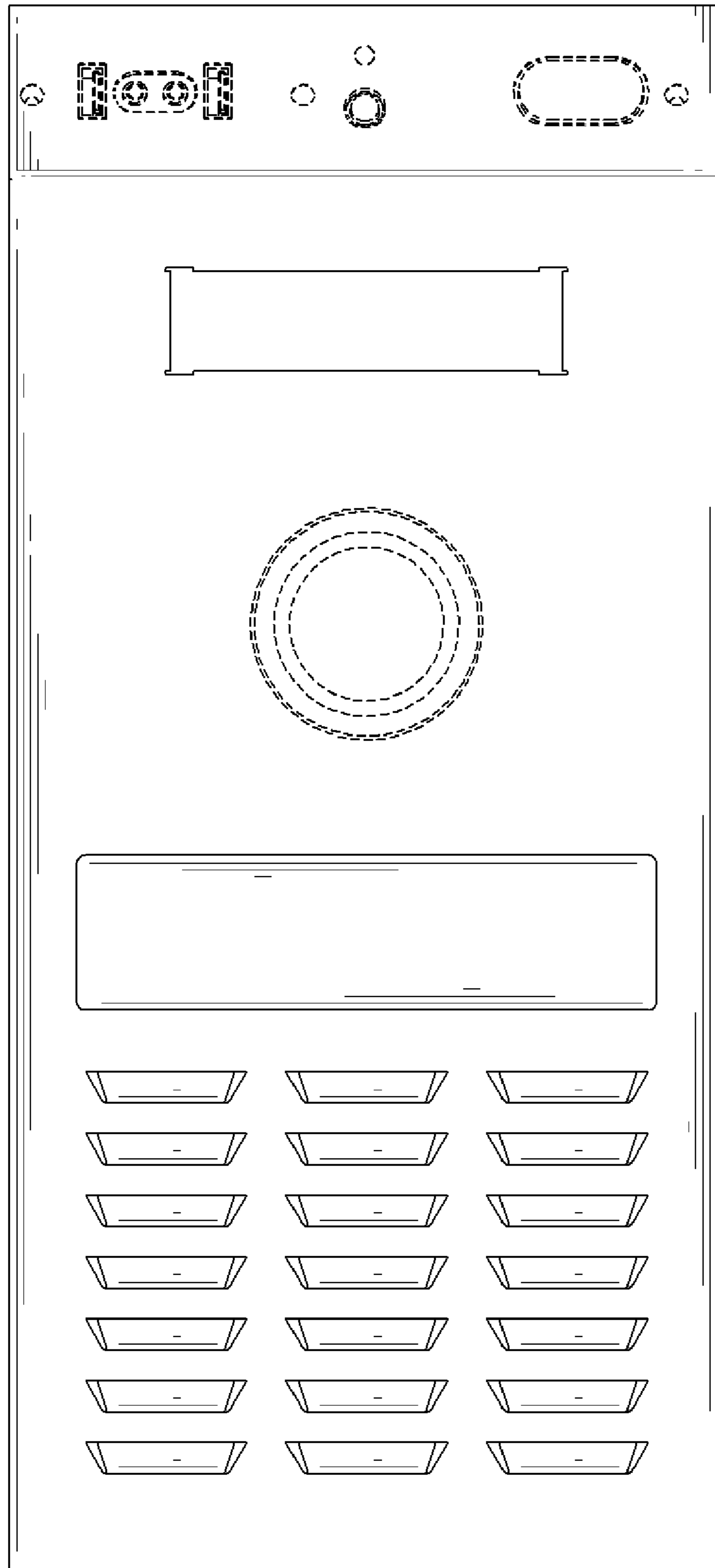


FIG. 2

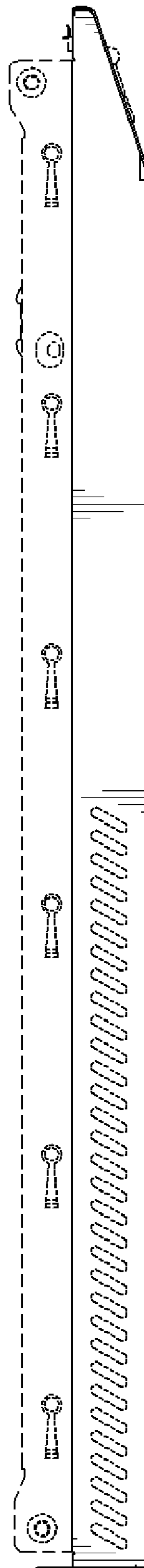


FIG. 3

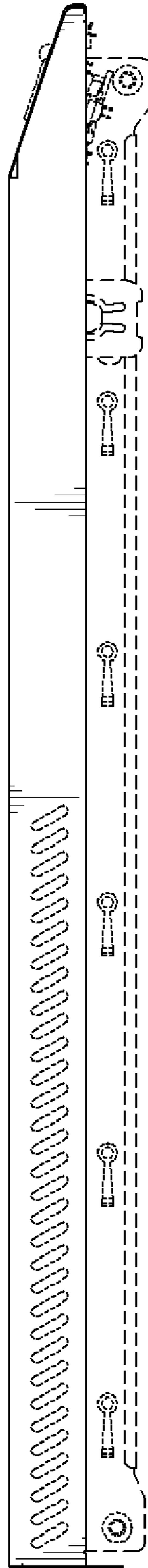


FIG. 4

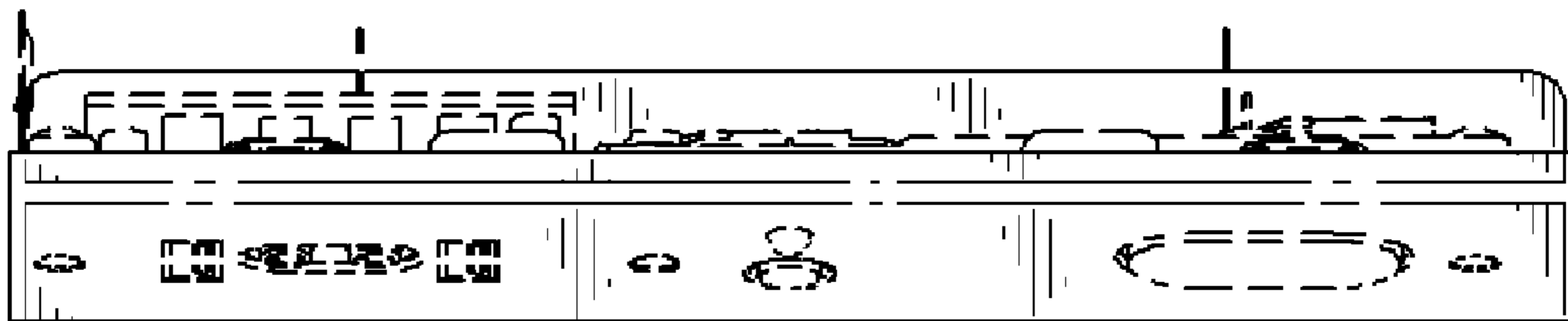


FIG. 5



FIG. 6