



US00D619580S

(12) **United States Design Patent**
Nakayama et al.

(10) **Patent No.:** **US D619,580 S**
(45) **Date of Patent:** **** Jul. 13, 2010**

(54) **INTERACTIVE PEN**

(75) Inventors: **Tetsu Nakayama**, Matsumoto (JP);
Genta Kawabe, Matsumoto (JP);
Nobuyuki Otsuki, Matsumoto (JP)

(73) Assignee: **Seiko Epson Corporation**, Tokyo (JP)

(**) Term: **14 Years**

(21) Appl. No.: **29/351,316**

(22) Filed: **Dec. 3, 2009**

(30) **Foreign Application Priority Data**

Sep. 15, 2009 (JP) 2009-021312

(51) **LOC (9) Cl.** **14-02**

(52) **U.S. Cl.** **D14/411**

(58) **Field of Classification Search** D8/61;
D14/411, 431, 404, 390; D19/35, 36, 41-51,
D19/54-58; 401/99, 100, 104-107; 345/179,
345/173; 178/19.01, 19.03; 700/94; D21/330;
715/863

See application file for complete search history.

(56) **References Cited**

U.S. PATENT DOCUMENTS

3,570,284 A * 3/1971 Hendricks 401/209
5,461,204 A * 10/1995 Makinwa et al. 178/19.03
D417,206 S * 11/1999 Hirota D14/411
D448,804 S * 10/2001 Izushima D19/51
D456,411 S * 4/2002 Kourushi D14/411

D464,653 S * 10/2002 Nagai et al. D14/411
D527,050 S * 8/2006 Hirota D19/51
D547,799 S * 7/2007 Granick D19/36
7,377,709 B2 * 5/2008 Butler 401/195
D595,718 S * 7/2009 Richter et al. D14/411
2005/0030298 A1 * 2/2005 Philis 345/179
2007/0274765 A1 * 11/2007 Brand et al. 401/108

* cited by examiner

Primary Examiner—Austin Murphy

(74) *Attorney, Agent, or Firm*—Oliff & Berridge, PLC

(57) **CLAIM**

The ornamental design for an interactive pen, as shown and described.

DESCRIPTION

FIG. 1 is a perspective view of an easy interactive pen;

FIG. 2 is another perspective view thereof;

FIG. 3 is a front view thereof;

FIG. 4 is a rear view thereof;

FIG. 5 is a left-side view thereof;

FIG. 6 is a right-side view thereof;

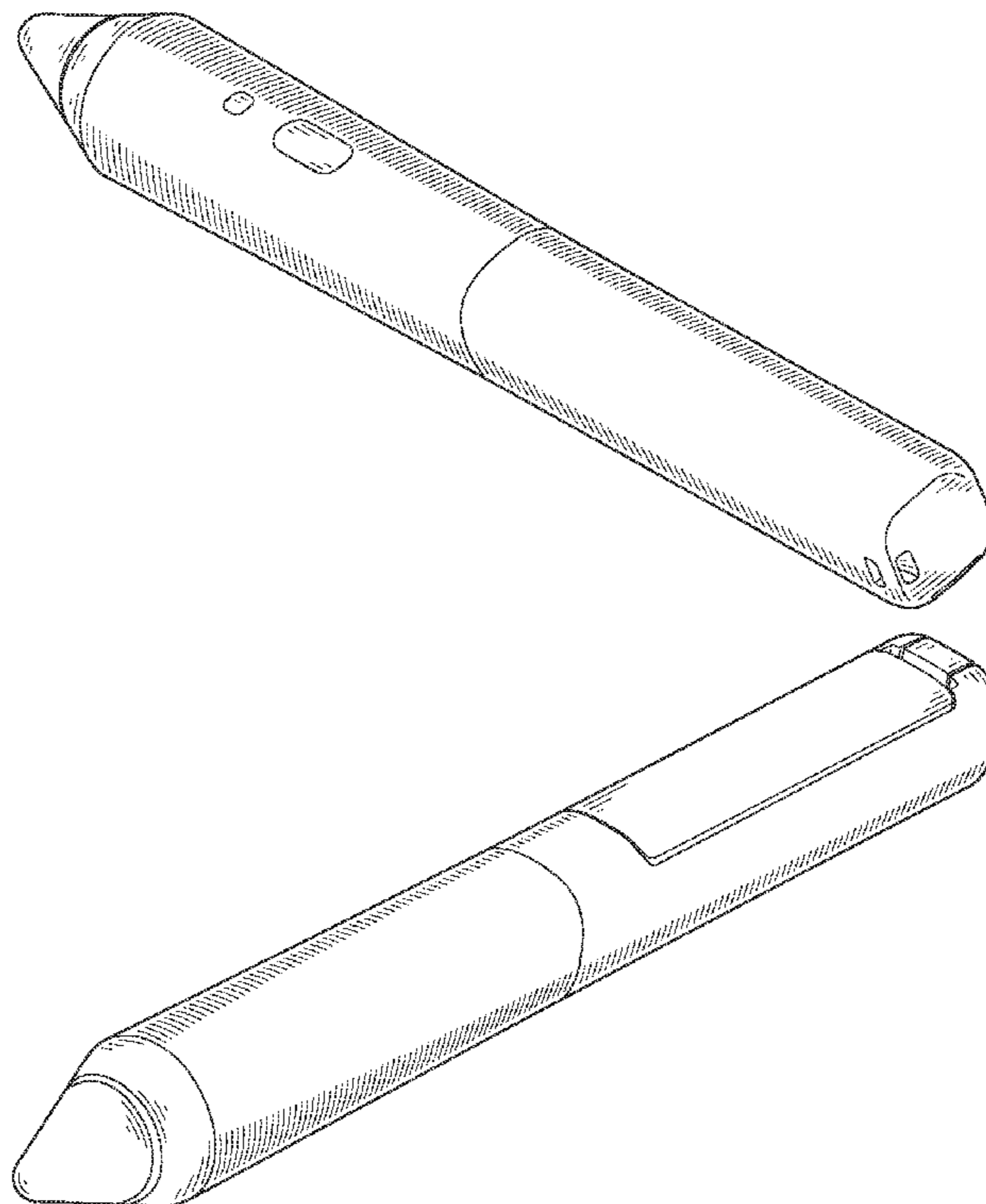
FIG. 7 is a top view thereof;

FIG. 8 is a bottom view thereof; and,

FIG. 9 is an enlarged right-side view thereof.

The broken lines depict environmental subject matter only and form no part of the claimed design.

1 Claim, 5 Drawing Sheets



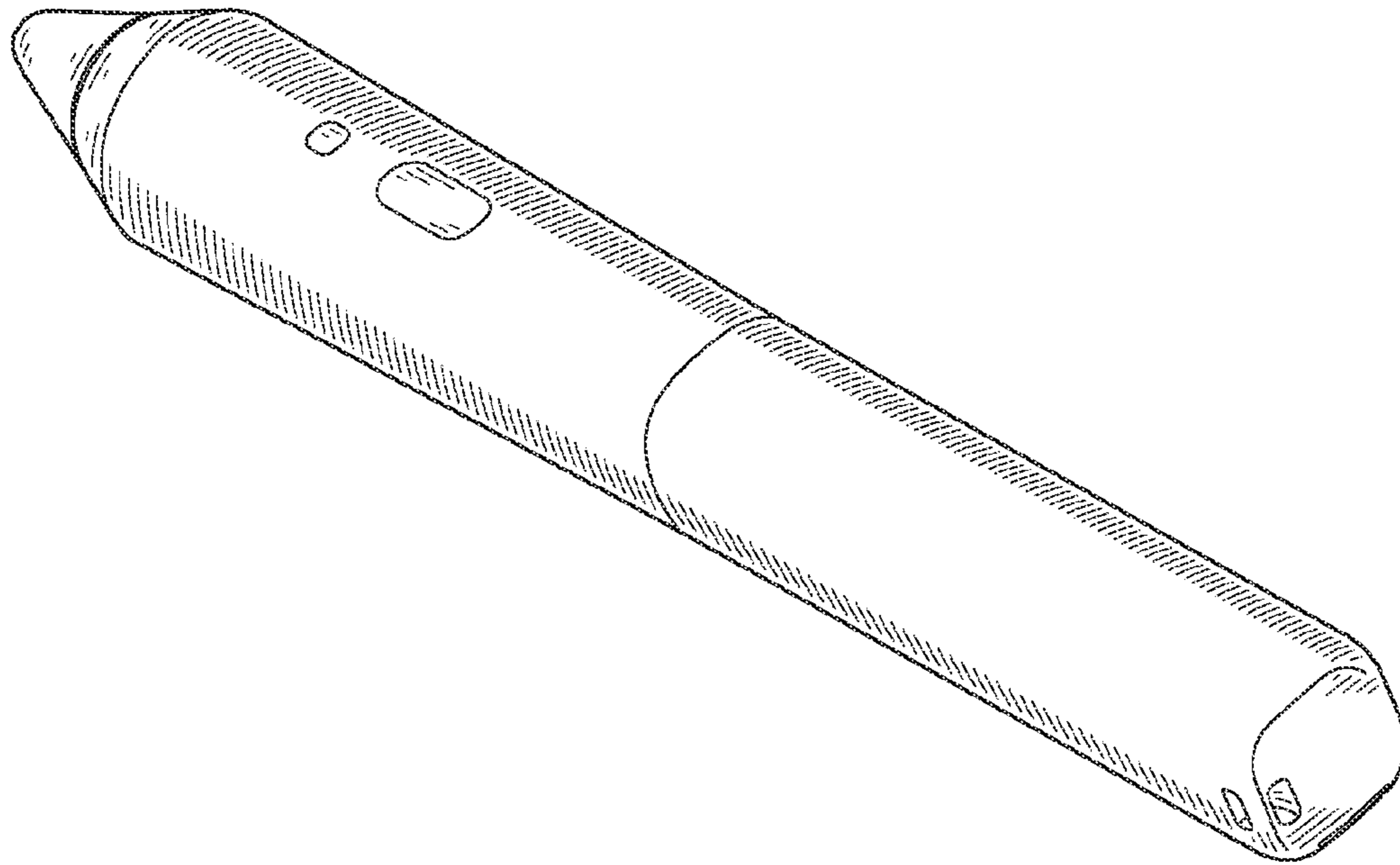


FIG. 1

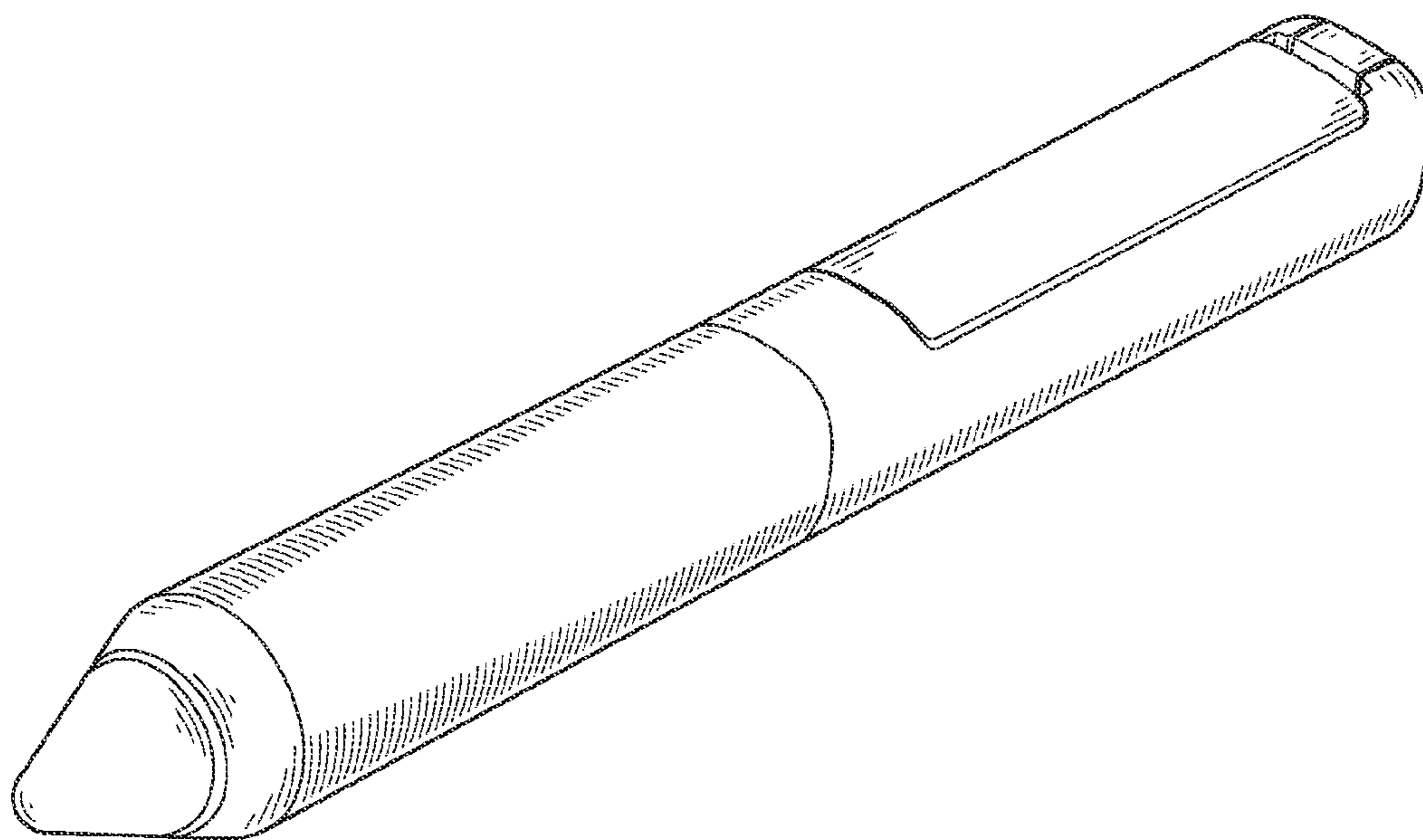


FIG. 2

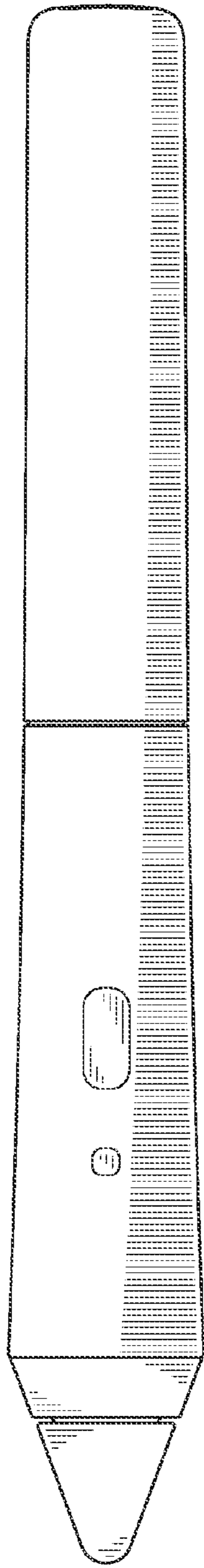


FIG. 3

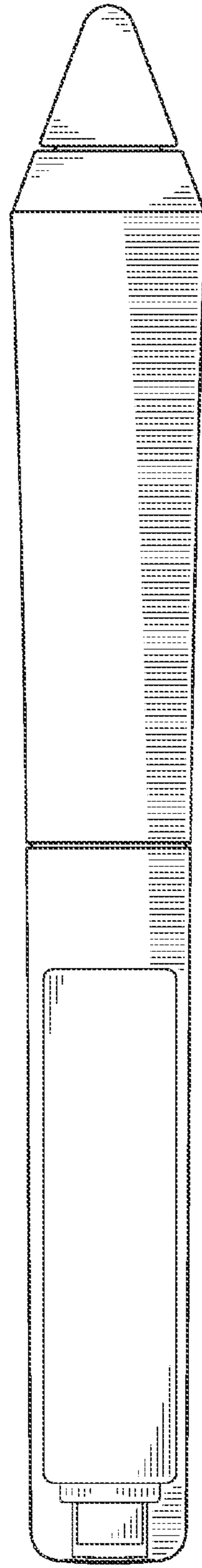


FIG. 4

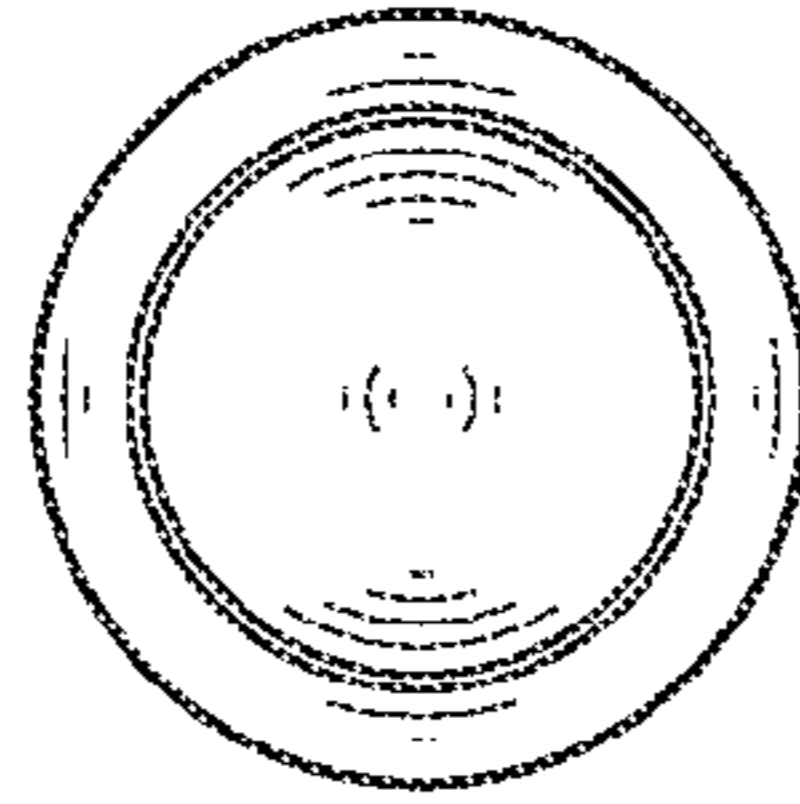


FIG. 5

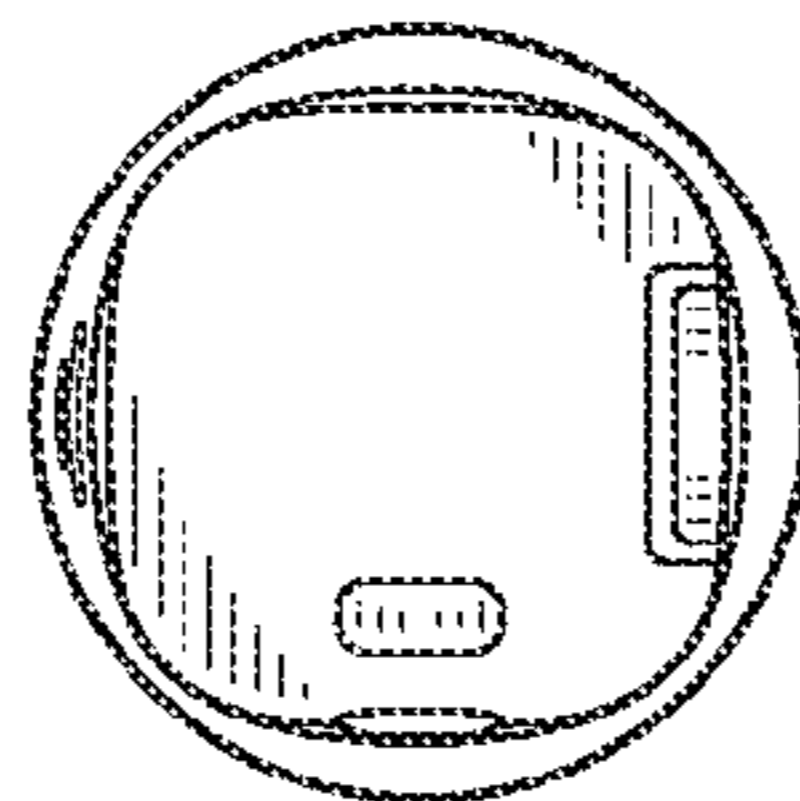


FIG. 6

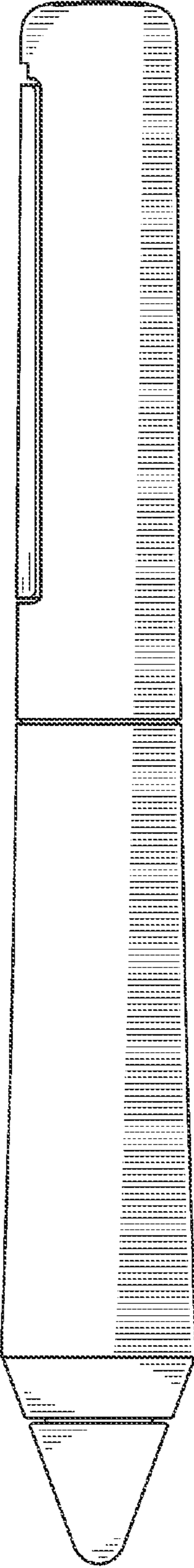


FIG. 7

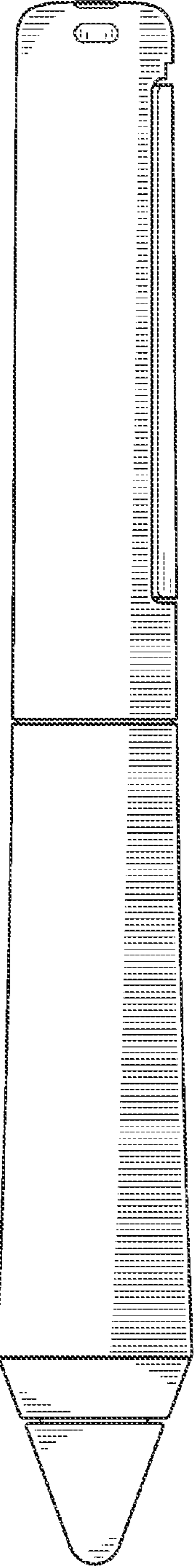


FIG. 8

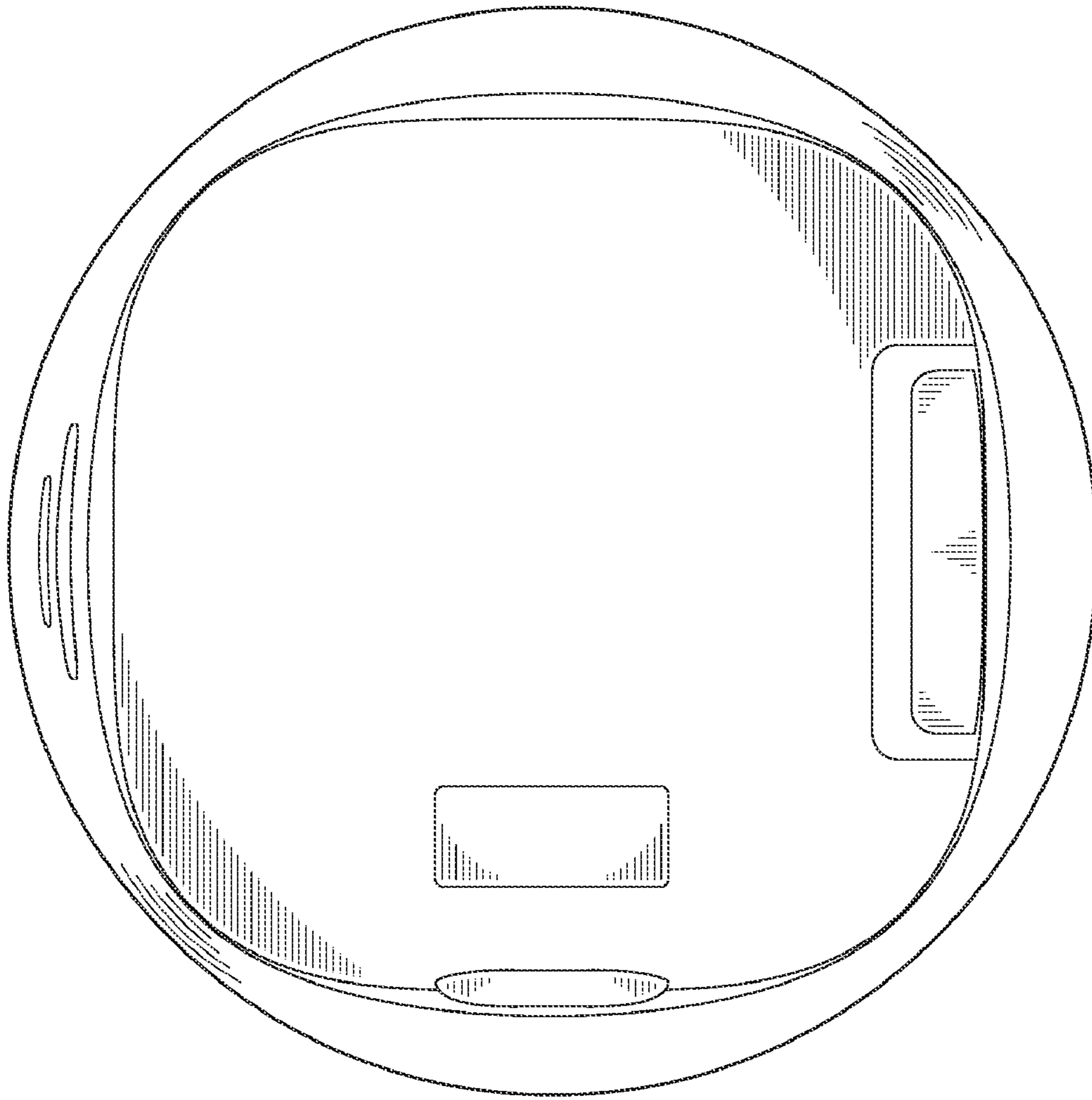


FIG. 9

UNITED STATES PATENT AND TRADEMARK OFFICE
CERTIFICATE OF CORRECTION

PATENT NO. : Des. 619,580 S
APPLICATION NO. : 29/351316
DATED : July 13, 2010
INVENTOR(S) : Tetsu Nakayama et al.

Page 1 of 1

It is certified that error appears in the above-identified patent and that said Letters Patent is hereby corrected as shown below:

Title page, column 2, Description section, please change:

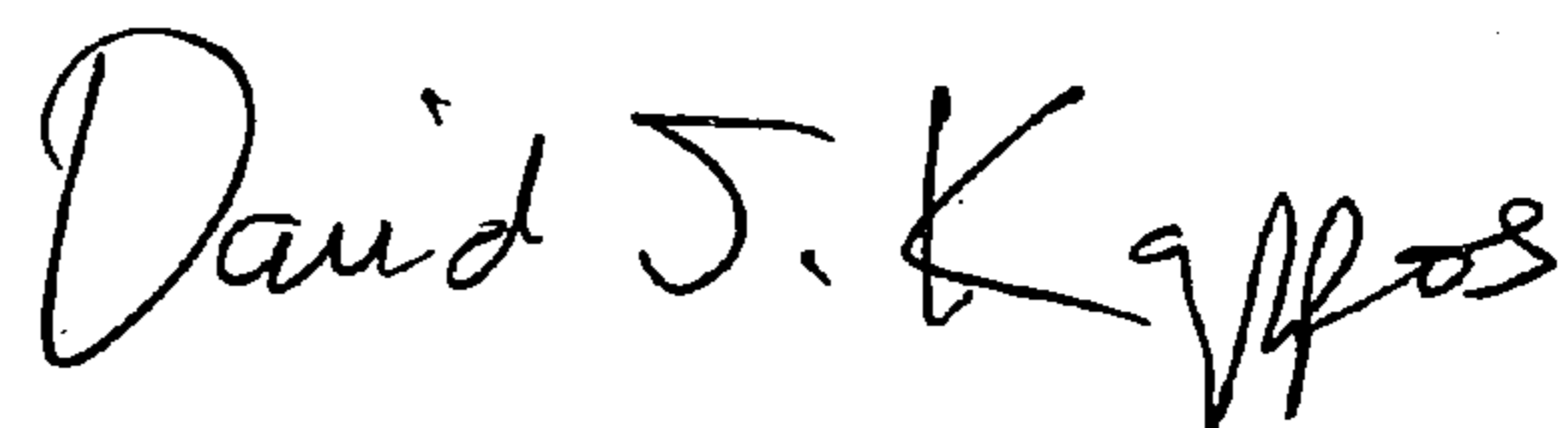
“FIG. 1 is a perspective view of an easy interactive pen”

to

--FIG.1 is a perspective view of an interactive pen--.

Signed and Sealed this

Ninth Day of November, 2010

A handwritten signature in black ink that reads "David J. Kappos". The signature is written in a cursive, flowing style.

David J. Kappos
Director of the United States Patent and Trademark Office