



US00D619579S

(12) **United States Design Patent**  
**Flores Rodrigues Vieira**

(10) **Patent No.:** **US D619,579 S**  
(45) **Date of Patent:** **\*\* Jul. 13, 2010**

- (54) **PEN**
- (75) **Inventor:** **Nicholas Leite Flores Rodrigues Vieira**, Ribeirao Preto (BR)
- (73) **Assignee:** **WEM Equipamentos Eletronicos LTDA** (BR)
- (\*\*) **Term:** **14 Years**
- (21) **Appl. No.:** **29/341,849**
- (22) **Filed:** **Aug. 13, 2009**
- (51) **LOC (9) Cl.** ..... **14-02**
- (52) **U.S. Cl.** ..... **D14/411**
- (58) **Field of Classification Search** ..... D8/61;  
D14/411, 240; D19/35, 36, 41-51, 54-58;  
401/55, 99, 100, 104-107, 196, 197, 202,  
401/208, 209, 213, 192, 195, 243; 708/107;  
345/179, 173; 178/19.01; 700/94  
See application file for complete search history.

(56) **References Cited**

**U.S. PATENT DOCUMENTS**

- D238,680 S \* 2/1976 Pulos et al. .... D14/431
- D500,790 S \* 1/2005 Jaakkola ..... D19/43
- D549,229 S \* 8/2007 Chiang ..... D14/411
- D565,653 S \* 4/2008 Freed et al. .... D19/36

- D574,381 S \* 8/2008 Chan ..... D14/431
- D576,674 S \* 9/2008 Tseng ..... D19/36
- D589,514 S \* 3/2009 Pittel et al. .... D14/411
- 2004/0158131 A1 \* 8/2004 Hsiao ..... 600/300

\* cited by examiner

*Primary Examiner*—Cathron C Brooks

*Assistant Examiner*—Austin Murphy

(74) *Attorney, Agent, or Firm*—McKee, Voorhees & Sease, P.L.C.

(57) **CLAIM**

I claim the ornamental design for a pen, substantially as shown and described.

**DESCRIPTION**

FIG. 1 is a perspective view of the pen from the top, rear and side.

FIG. 2 is a perspective view from the side and front.

FIG. 3 is a side elevational view thereof.

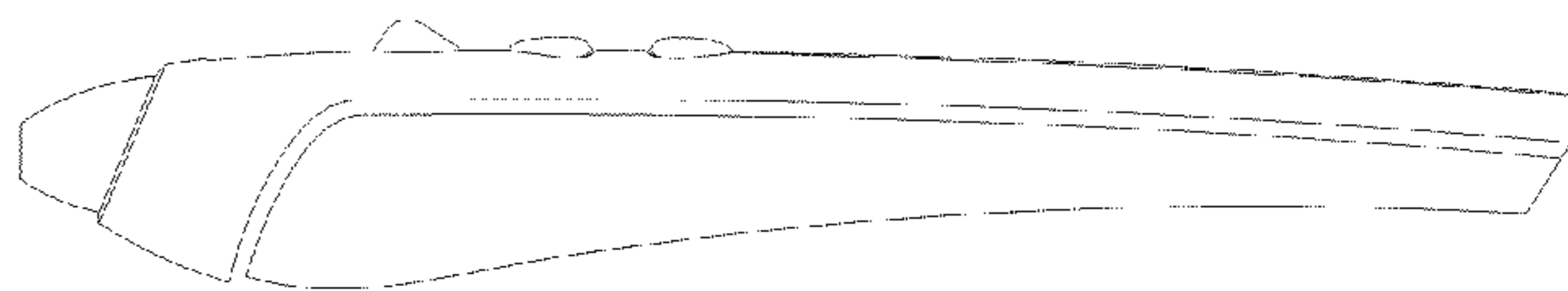
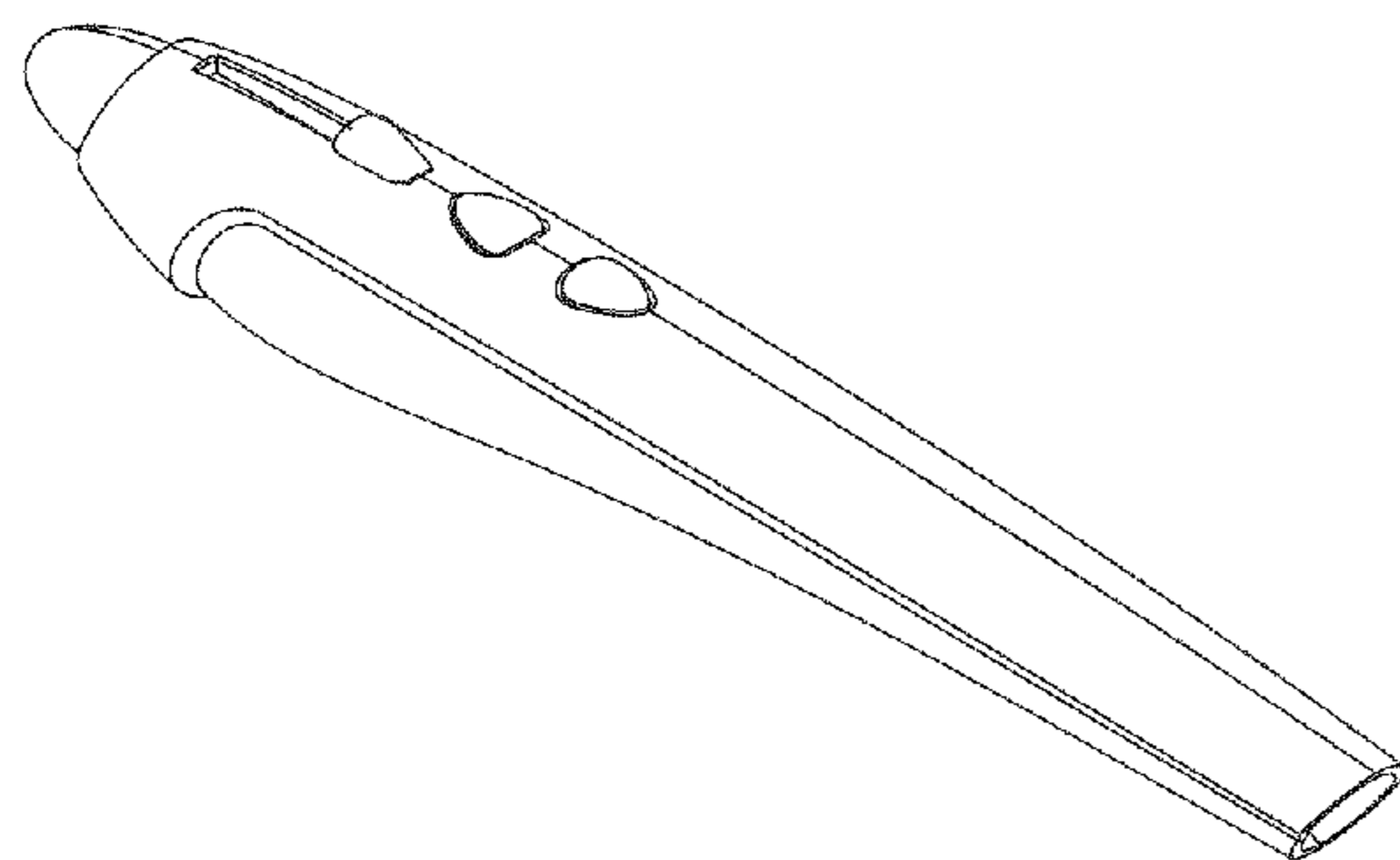
FIG. 4 is a top plan view thereof.

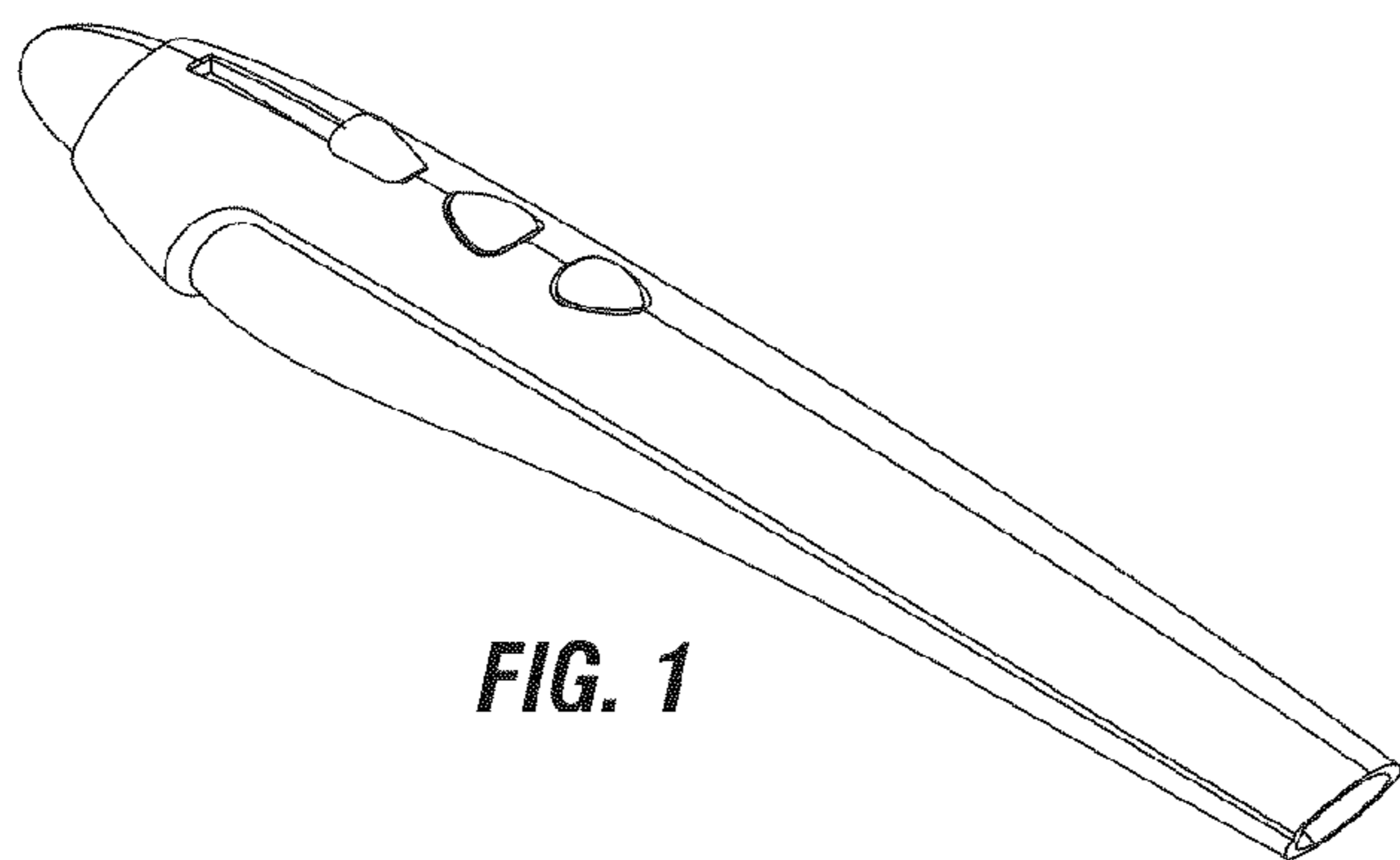
FIG. 5 is a bottom plan view thereof.

FIG. 6 is a front elevational view thereof; and,

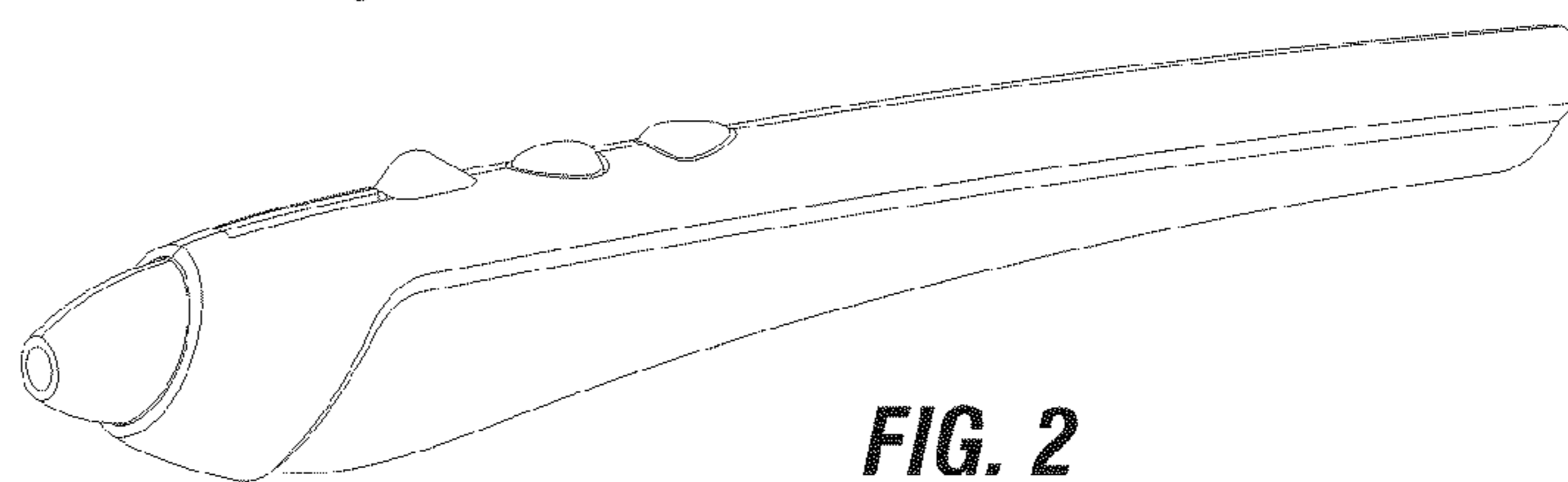
FIG. 7 is a rear elevational view thereof.

**1 Claim, 1 Drawing Sheet**

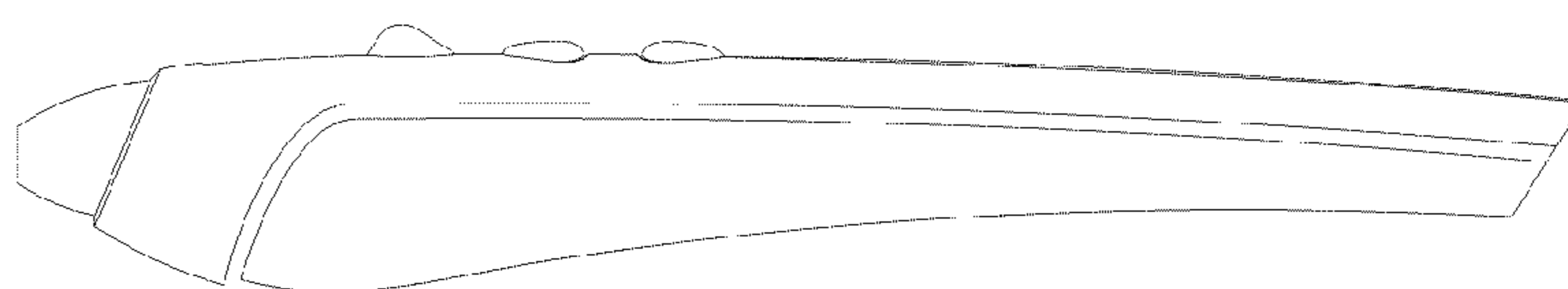




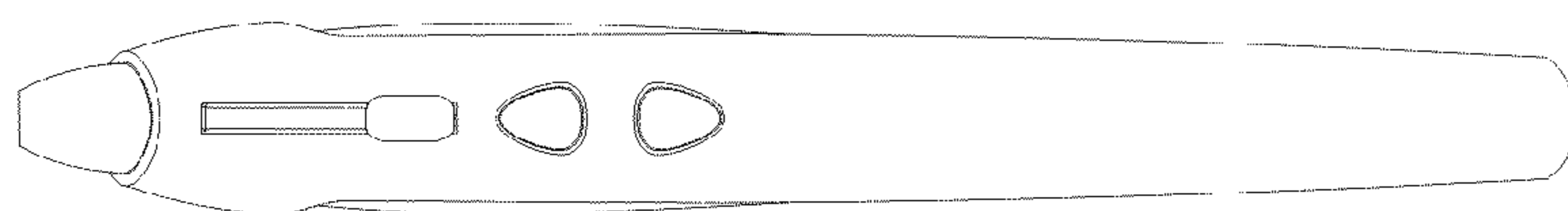
**FIG. 1**



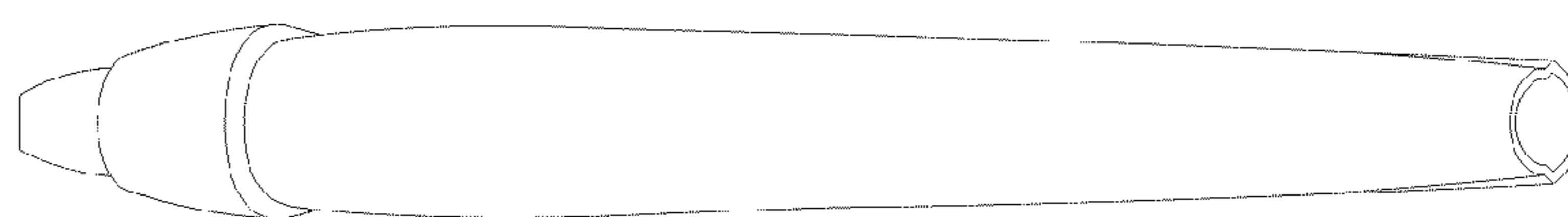
**FIG. 2**



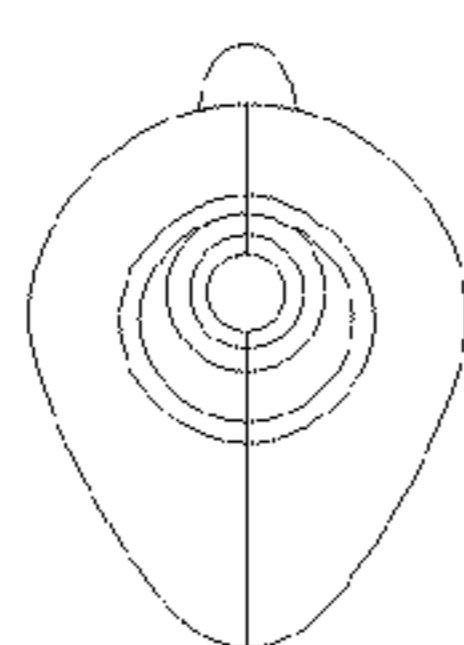
**FIG. 3**



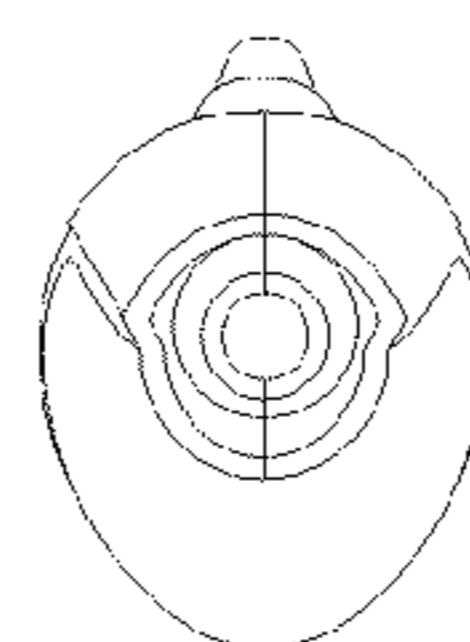
**FIG. 4**



**FIG. 5**



**FIG. 6**



**FIG. 7**