



US00D619575S

(12) **United States Design Patent**  
**Takuma**

(10) **Patent No.:** **US D619,575 S**  
(45) **Date of Patent:** **\*\* Jul. 13, 2010**

(54) **COMPUTER**

(75) Inventor: **Tomoaki Takuma**, Tokyo (JP)

(73) Assignee: **Sony Corporation**, Tokyo (JP)

(\*\*) Term: **14 Years**

(21) Appl. No.: **29/311,706**

(22) Filed: **Jun. 1, 2009**

(30) **Foreign Application Priority Data**

Dec. 3, 2008 (JP) ..... D2008-030987  
Dec. 26, 2008 (JP) ..... D2008-033284  
Dec. 26, 2008 (JP) ..... D2008-033287

(51) **LOC (9) Cl.** ..... **14-02**

(52) **U.S. Cl.** ..... **D14/327**

(58) **Field of Classification Search** ..... D14/315-328,  
D14/341-345, 432, 455; D18/1, 2, 7, 11;  
235/145 A, 145 R; 341/22, 23; 455/566;  
345/168, 169, 173, 87, 901-905; 361/679.09,  
361/679.27; 715/783; 400/486, 489  
See application file for complete search history.

(56) **References Cited**

**U.S. PATENT DOCUMENTS**

D343,832 S \* 2/1994 Haraga et al. .... D14/327  
D360,407 S \* 7/1995 Collas et al. .... D14/455  
D422,569 S 4/2000 Ogasawara  
6,067,224 A \* 5/2000 Nobuchi ..... 361/679.27  
D473,564 S 4/2003 Yano  
D510,737 S 10/2005 Yokota  
D534,531 S 1/2007 Ogasawara  
D554,644 S 11/2007 Ogasawara

D556,192 S \* 11/2007 Jeong et al. .... D14/327  
D559,245 S 1/2008 Iseki  
D570,343 S 6/2008 Yamada  
D570,344 S 6/2008 Isonaga  
D577,012 S \* 9/2008 Gralewski et al. .... D14/315  
D577,013 S \* 9/2008 Harris et al. .... D14/317  
D578,125 S \* 10/2008 Iseki ..... D14/432  
D578,525 S \* 10/2008 Yoon ..... D14/319  
D598,442 S \* 8/2009 Wang ..... D14/327  
2005/0041378 A1 \* 2/2005 Hamada et al. .... 361/680

\* cited by examiner

*Primary Examiner*—Freda S Nunn

(74) *Attorney, Agent, or Firm*—Rader, Fishman & Grauer  
PLLC

(57) **CLAIM**

The ornamental design for a computer, as shown and described.

**DESCRIPTION**

FIG. 1 is a perspective view of a computer showing my new design;

FIG. 2 is a front elevational view thereof;

FIG. 3 is a rear elevational view thereof;

FIG. 4 is a left side elevational view thereof;

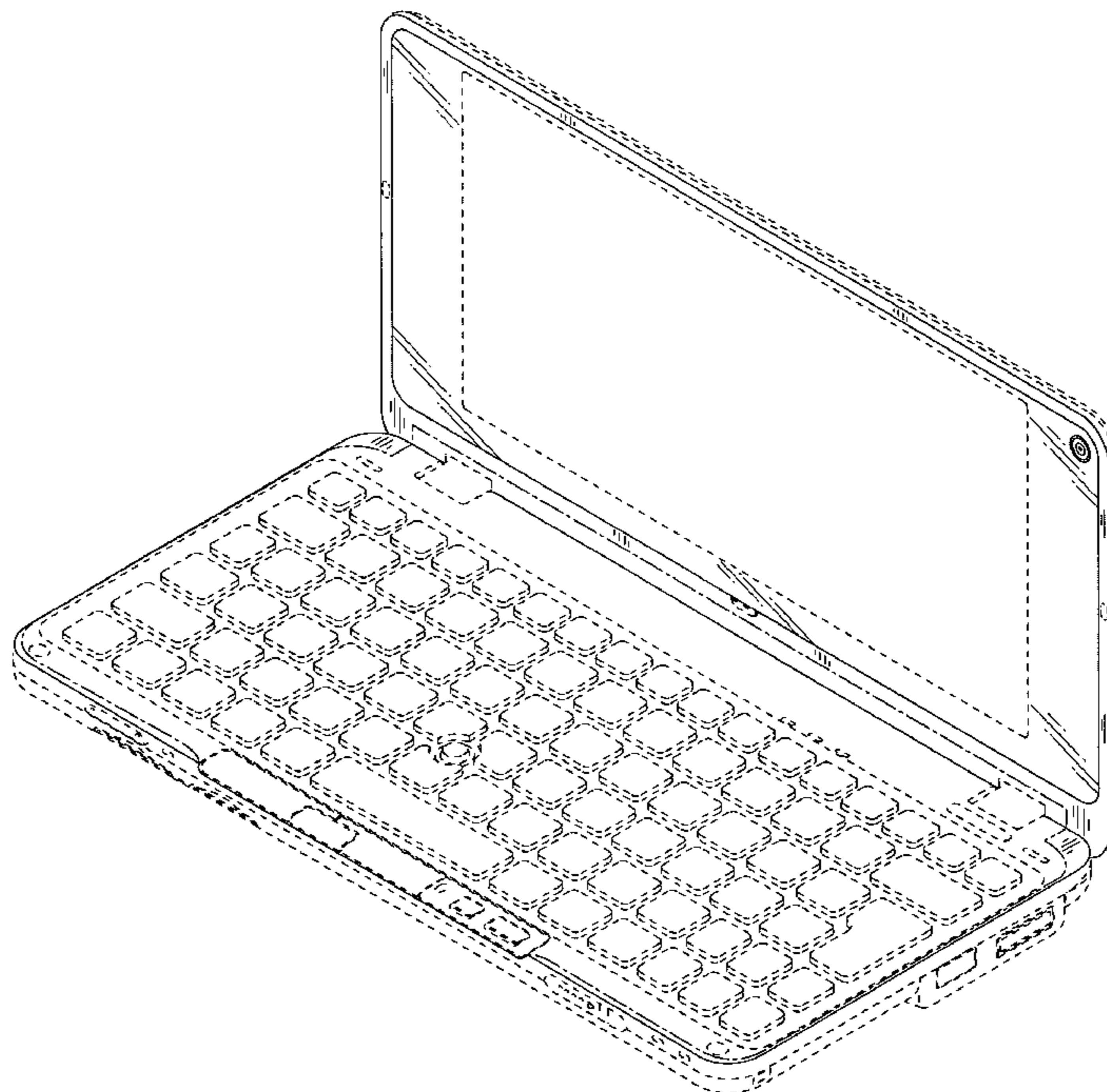
FIG. 5 is a right side elevational view thereof;

FIG. 6 is a top plan view thereof; and,

FIG. 7 is a bottom plan view thereof.

Portions in broken lines are for illustrative purposes only and form no part of claimed design.

**1 Claim, 7 Drawing Sheets**



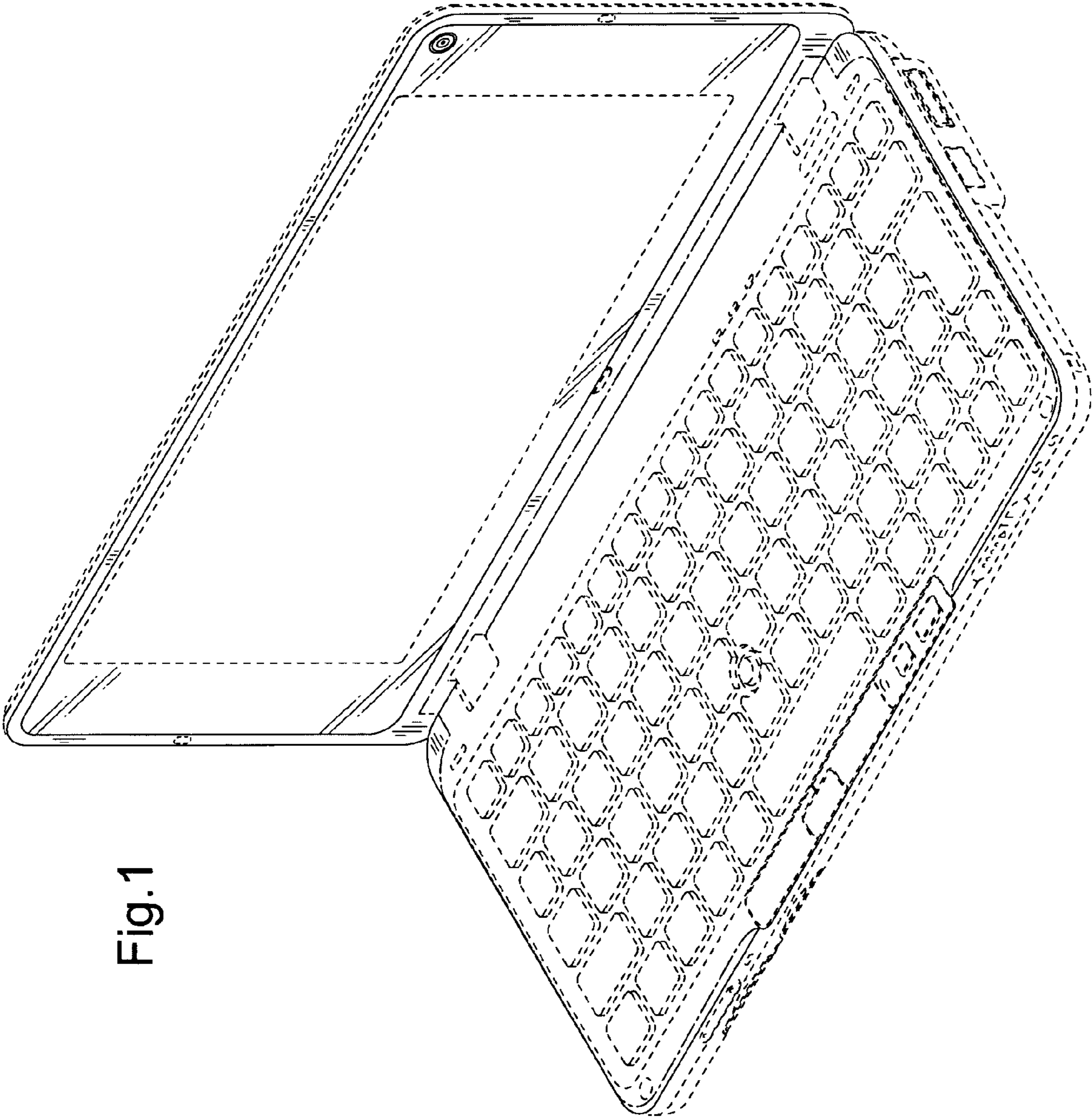


Fig.1

Fig. 2

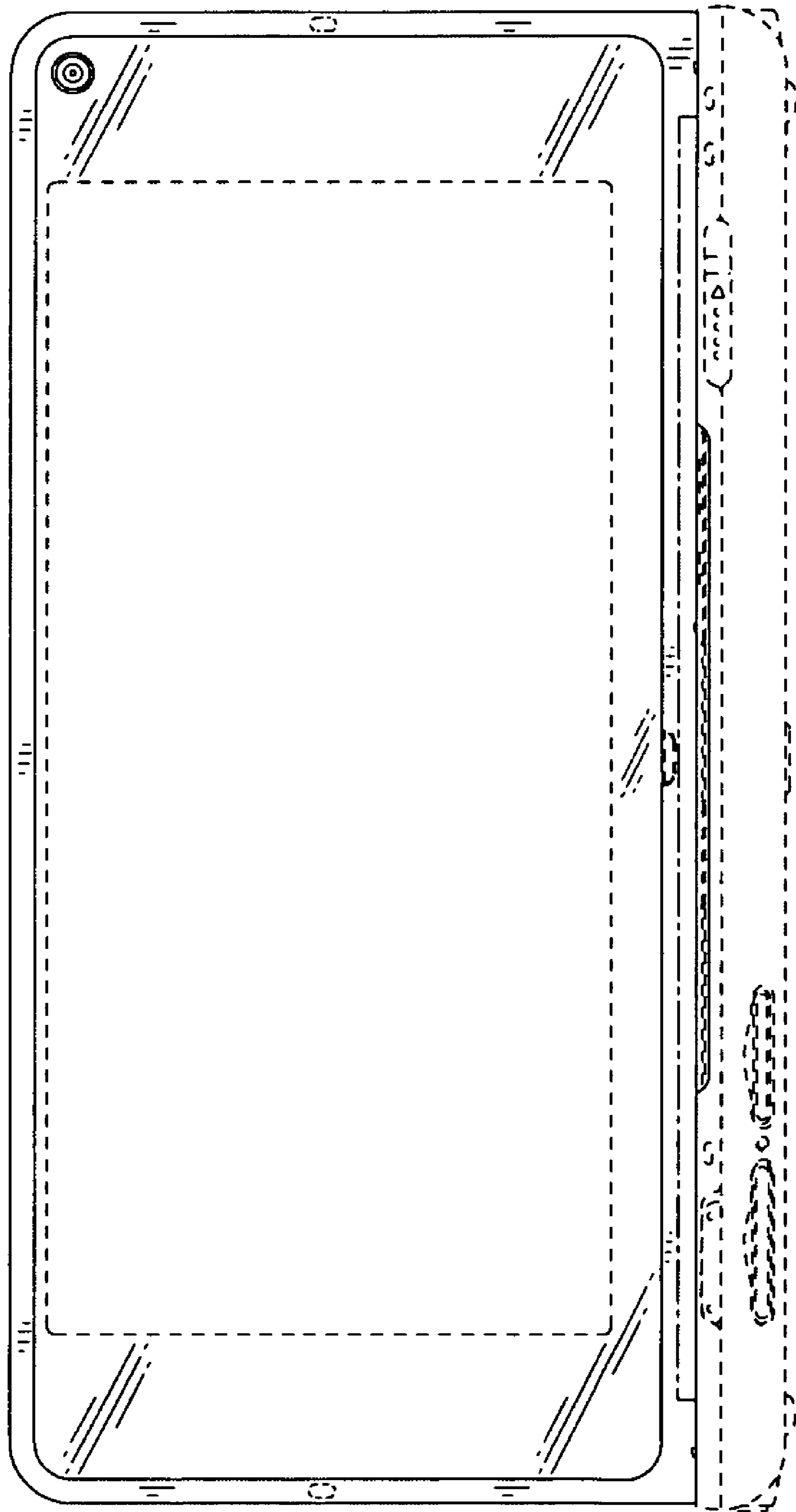


Fig. 3

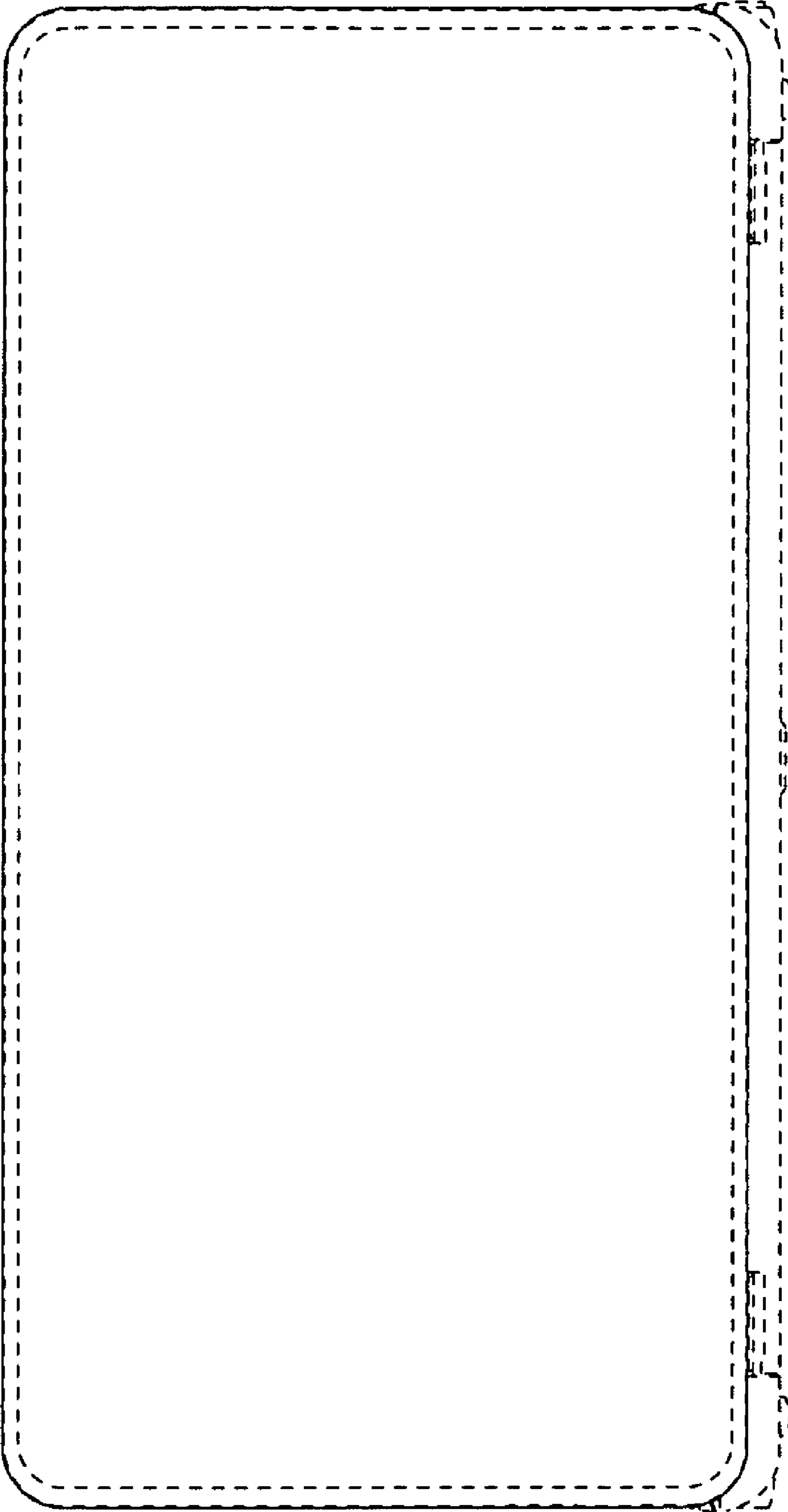


Fig. 4

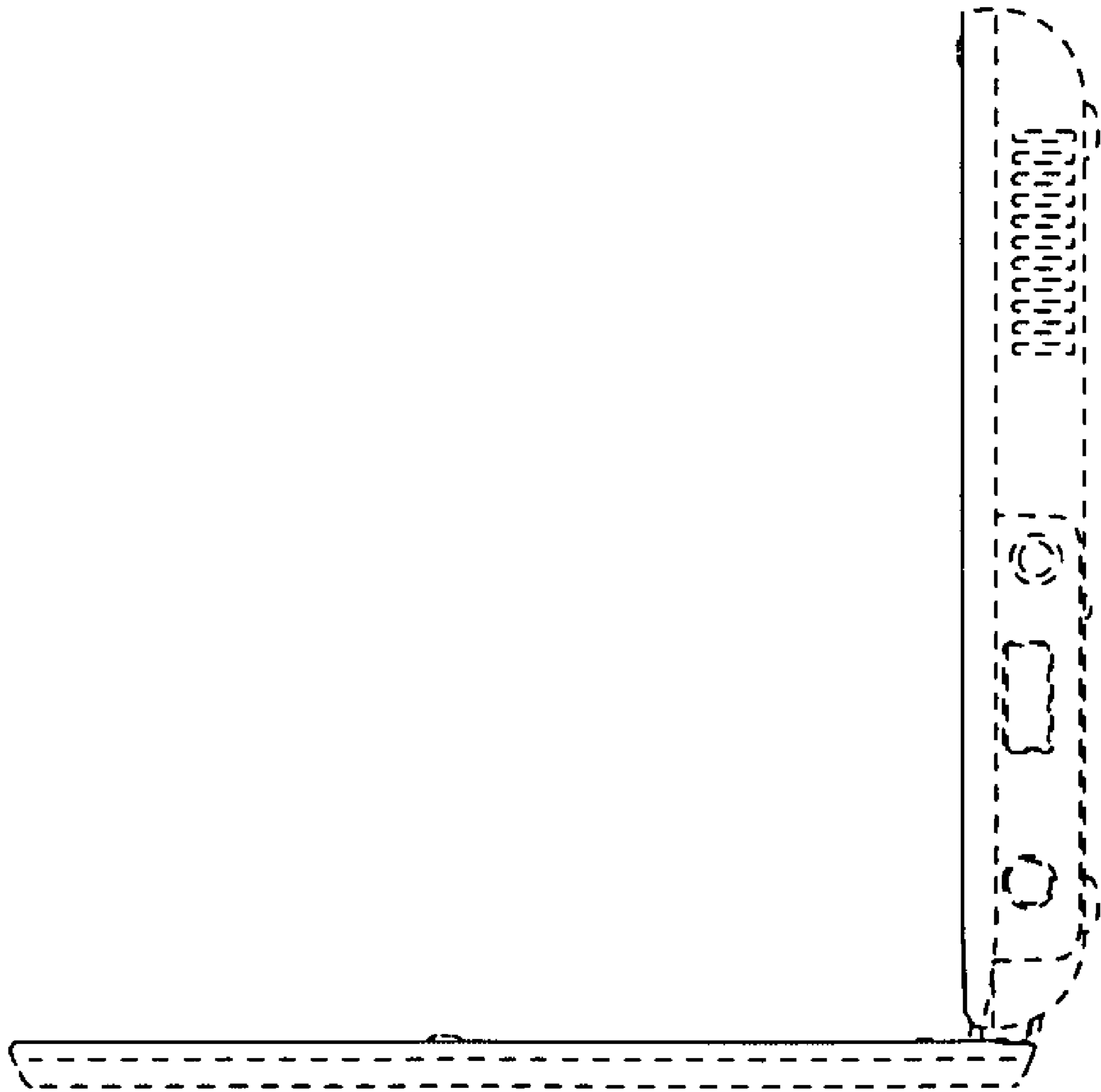


Fig. 5

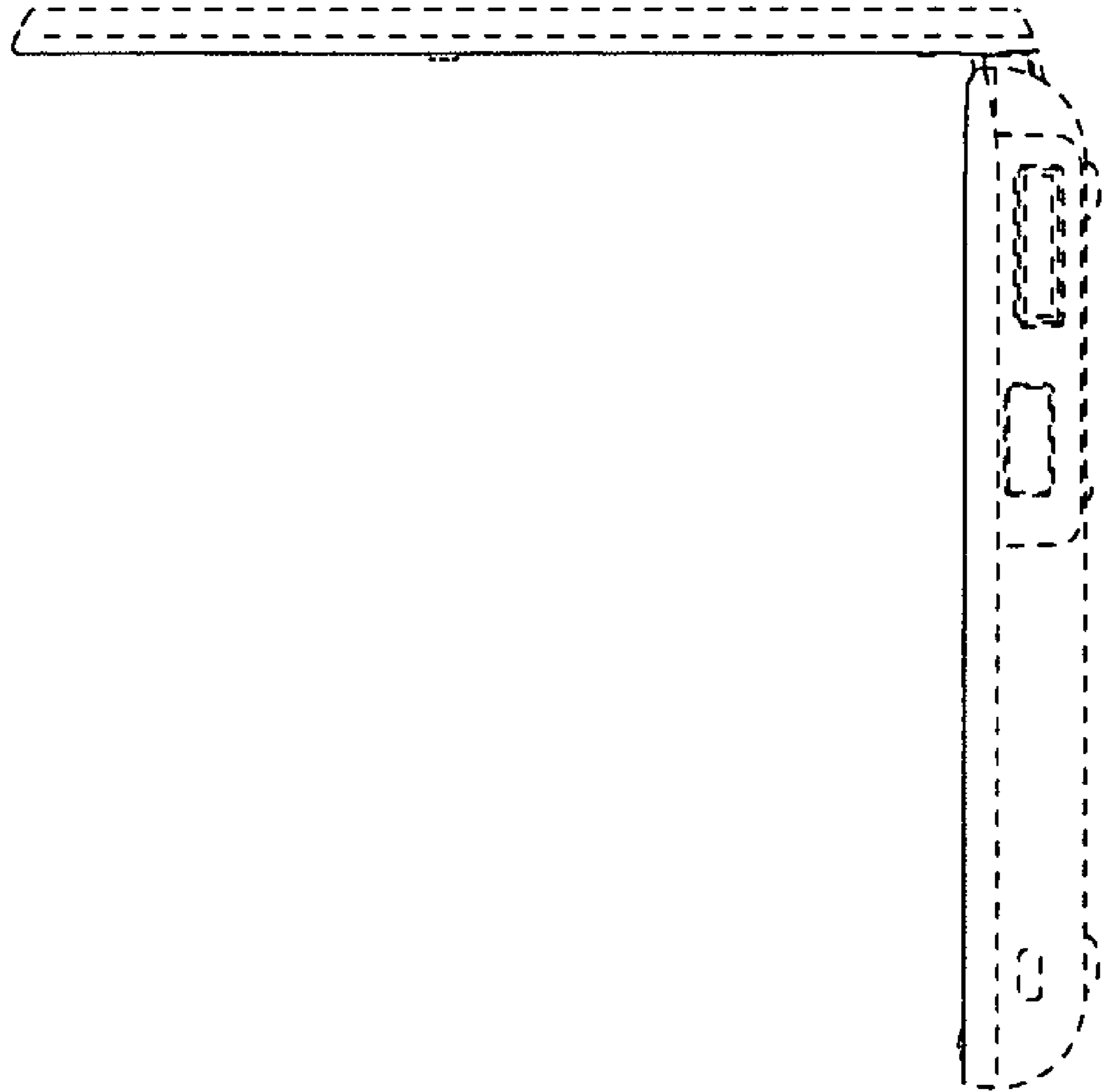




Fig. 6

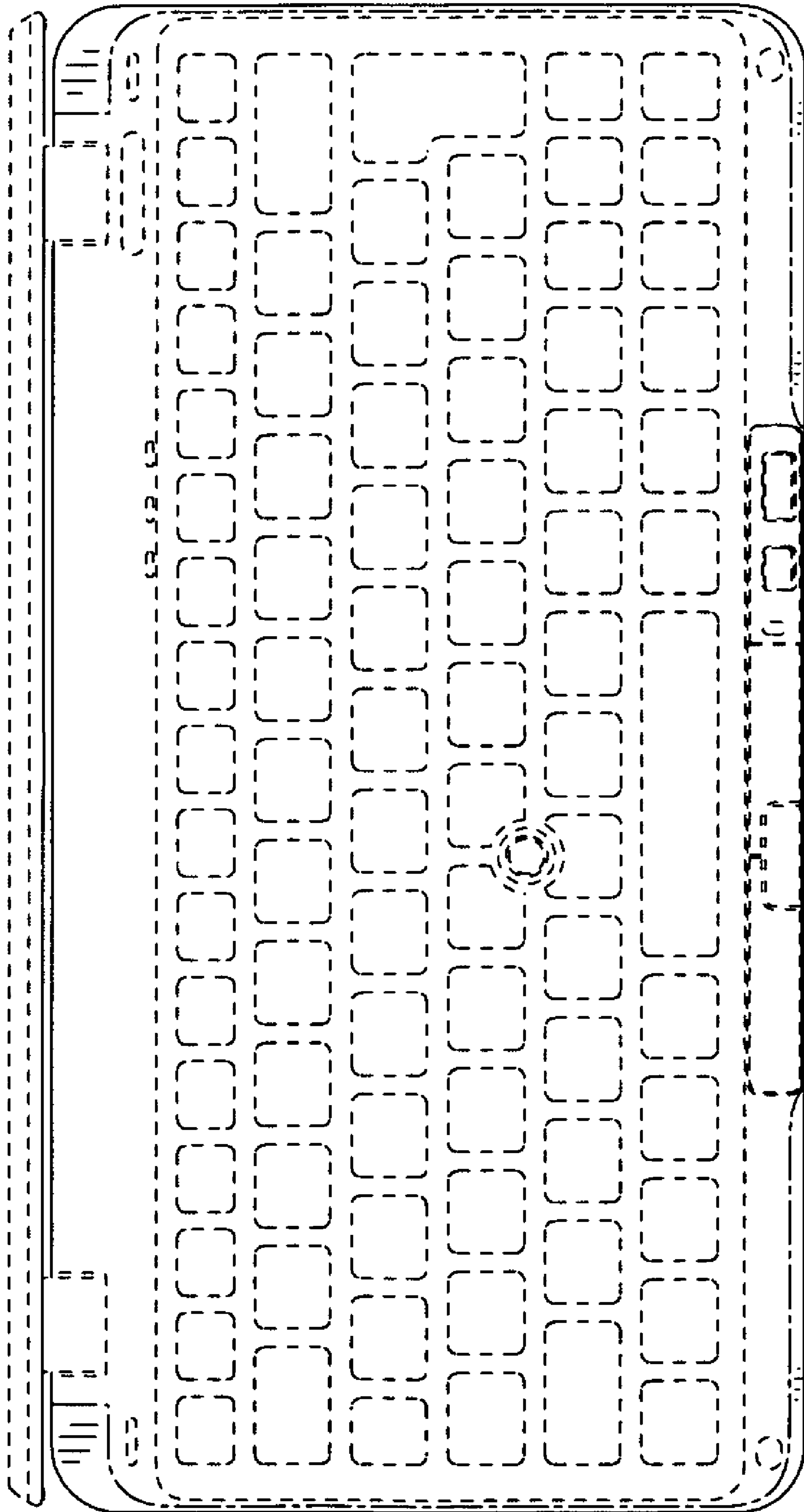


Fig. 7

