



US00D619570S

(12) **United States Design Patent**  
**Tong et al.**

(10) **Patent No.:** **US D619,570 S**  
(45) **Date of Patent:** **\*\* Jul. 13, 2010**

(54) **HANDSFREE CELLPHONE DEVICE**

(75) Inventors: **Chi Lun Tong**, Kowloon (HK); **Ka Wah Lai**, Tseung Kwan O (HK)

(73) Assignee: **Telebrands Corp.**, Fairfield, NJ (US)

(\*\*) Term: **14 Years**

(21) Appl. No.: **29/315,645**

(22) Filed: **Jul. 13, 2009**

(51) **LOC (9) Cl.** ..... **14-03**

(52) **U.S. Cl.** ..... **D14/240; D14/433; D14/356; D13/133**

(58) **Field of Classification Search** ..... D13/133, D13/149, 126; D14/133, 240, 484.1, 480.6, D14/435.1, 358, 374, 242, 361-363, 365-367, D14/433; 361/757; 439/131, 159, 501, 528, 439/623, 652, 654; 379/220.1, 25, 93.09, 379/93.15, 93.14, 156, 424; 451/550.1, 557  
See application file for complete search history.

(56) **References Cited**

**U.S. PATENT DOCUMENTS**

2,959,644	A	11/1960	Grace
3,289,149	A	11/1966	Pawloski
4,712,250	A	12/1987	Michels et al.
5,239,309	A	8/1993	Tang et al.
5,418,836	A	5/1995	Yazaki
5,583,485	A	12/1996	Van Lente et al.
5,584,052	A	12/1996	Gulau et al.
5,714,932	A	2/1998	Castellon et al.
5,796,819	A	8/1998	Romesburg
5,867,794	A	2/1999	Hayes et al.
5,881,150	A	3/1999	Persson
5,963,872	A	10/1999	Stein
6,052,603	A	4/2000	Kinzalow et al.
6,065,075	A	5/2000	Ryzin et al.
6,069,960	A	5/2000	Mizukami et al.
6,163,711	A	12/2000	Juntunen et al.
6,304,764	B1	10/2001	Pan
6,377,825	B1	4/2002	Kennedy et al.
6,394,852	B1	5/2002	Huang

6,424,842	B1	7/2002	Winstead
6,461,199	B1	10/2002	Koga et al.
6,493,546	B2	12/2002	Patsiokas
D470,848	S *	2/2003	Morooka ..... D14/433
D478,070	S *	8/2003	Nagai et al. .... D14/240
6,616,487	B1 *	9/2003	Lai ..... 439/668
6,626,704	B1 *	9/2003	Pikel ..... 439/638
D482,657	S *	11/2003	Lai ..... D13/146
D531,619	S *	11/2006	Chau ..... D14/217

(Continued)

**FOREIGN PATENT DOCUMENTS**

CN 2506495 8/2002

(Continued)

**OTHER PUBLICATIONS**

“FM Transmitter with Microphone for Sony Ericsson W580i, W200a, K805i”, 2 pages, <www.paylessgadget.com>, May 4, 2009.

(Continued)

*Primary Examiner*—Charles A Rademaker  
(74) *Attorney, Agent, or Firm*—Cooper & Dunham LLP

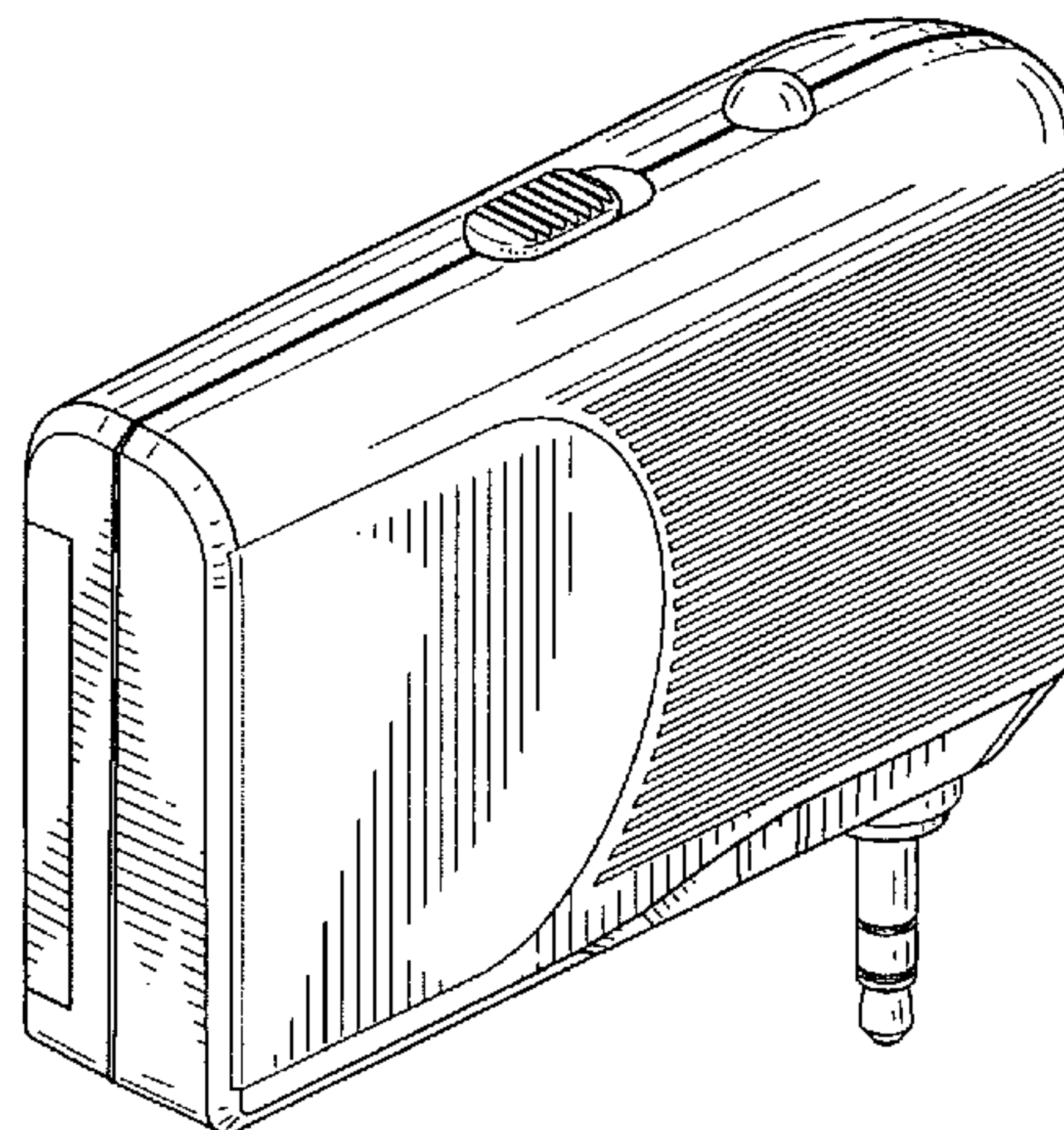
(57) **CLAIM**

The ornamental design for a handsfree cellphone device, as shown and described.

**DESCRIPTION**

FIG. 1 is a perspective view of a handsfree cellphone device showing our new design;  
FIG. 2 is a front view thereof;  
FIG. 3 is a rear view thereof;  
FIG. 4 is a side view thereof;  
FIG. 5 is the other side view thereof;  
FIG. 6 is a top view thereof; and,  
FIG. 7 is a bottom view thereof.

**1 Claim, 4 Drawing Sheets**



# US D619,570 S

Page 2

## U.S. PATENT DOCUMENTS

7,241,179 B2 7/2007 Chennakeshu  
7,305,253 B2 12/2007 Snyder et al.  
D560,166 S \* 1/2008 Andre et al. .... D13/133  
7,340,284 B2 3/2008 Chung  
D579,871 S \* 11/2008 Hsiau ..... D13/133  
D585,061 S \* 1/2009 Han ..... D14/358  
D586,295 S \* 2/2009 Zhao et al. .... D13/133  
D587,204 S \* 2/2009 Bachmann ..... D13/133  
D596,569 S \* 7/2009 Lin ..... D13/133  
7,581,967 B2 \* 9/2009 Collantes et al. .... 439/131  
7,628,622 B2 \* 12/2009 Yu et al. .... 439/131  
D611,944 S \* 3/2010 Kujawski et al. .... D14/435.1  
2002/0016188 A1 2/2002 Kashiwamura  
2003/0008564 A1 1/2003 Lebron  
2003/0148787 A1 8/2003 Hao  
2005/0070153 A1 3/2005 Tang  
2005/0146227 A1 7/2005 Jackson et al.  
2006/0234771 A1 10/2006 Shavrov

## FOREIGN PATENT DOCUMENTS

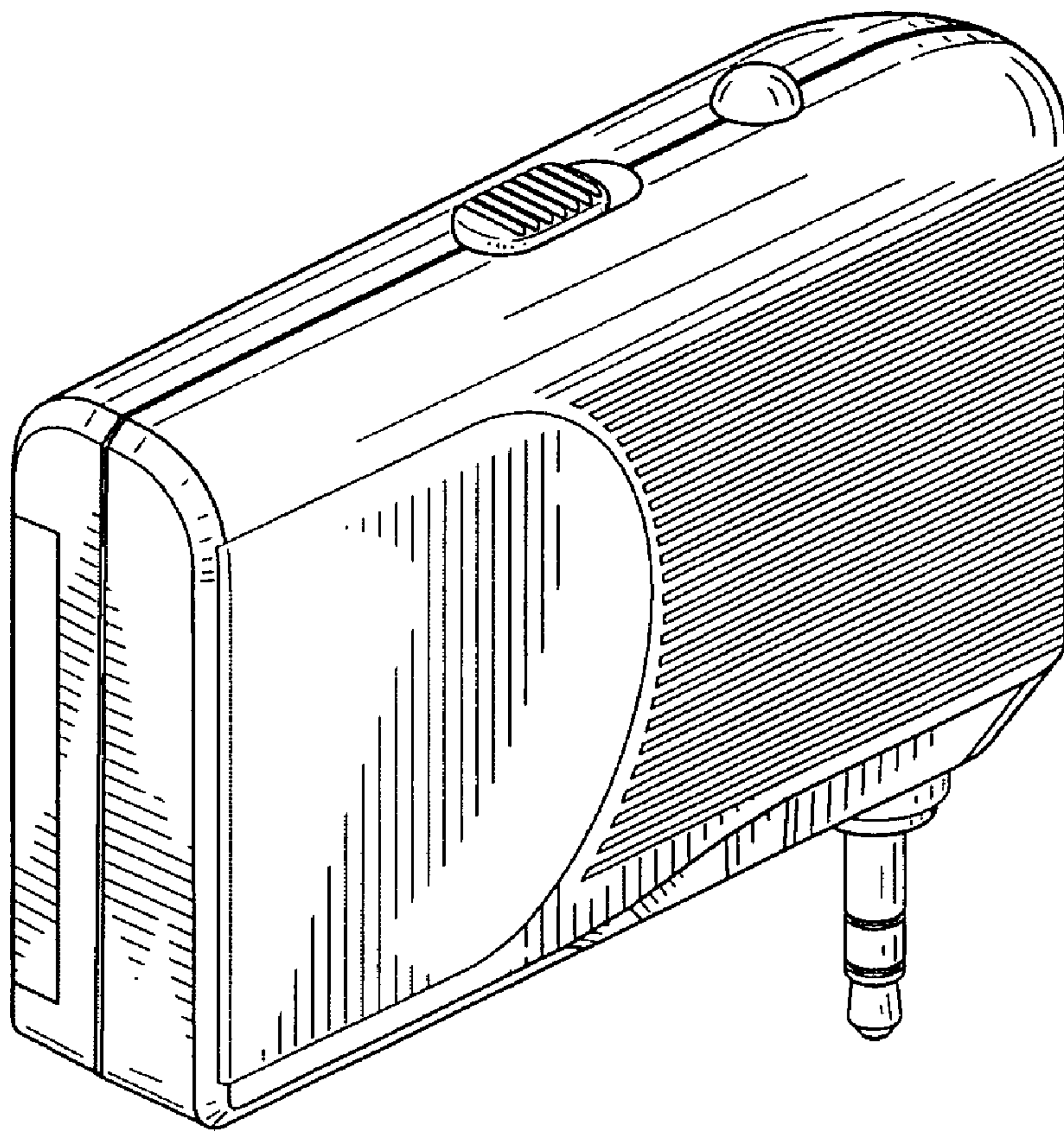
EP 1134958 5/2006

GB 2264613 9/1993

## OTHER PUBLICATIONS

“OEM Sony Ericsson MMR-60 FM Music Transmitter”, 2 pages, <www.daydeal.com>, May 4, 2009.  
“Sony Ericsson FM Transmitter for Phones”, 2 pages, <gizmodo.com>, May 1, 2009.  
“Adapter Photographs”, 7 pages, photographs, before Jul. 1, 2009.  
“The Original Black Jack”, 2 pages, photographs, before Jul. 1, 2009.  
“Black Jack Handsfree 2.5MM Audio Jack Converter Compatibility Matrix”, 7 pages, before Jul. 1, 2009.  
“Engergizer Energi To Go Instant Cell Phone Charger”, 3 pages, photographs, 2007.  
“iGo Power Tips” and “iGo” Charger, 6 pages, photographs, 2007.  
English language translation of People’s Republic of China Patent Publication No. CN 2506495, Aug. 21, 2002.  
“fonfree Radio FX”, 4 pages, photographs, 2005.

\* cited by examiner



**FIG. 1**

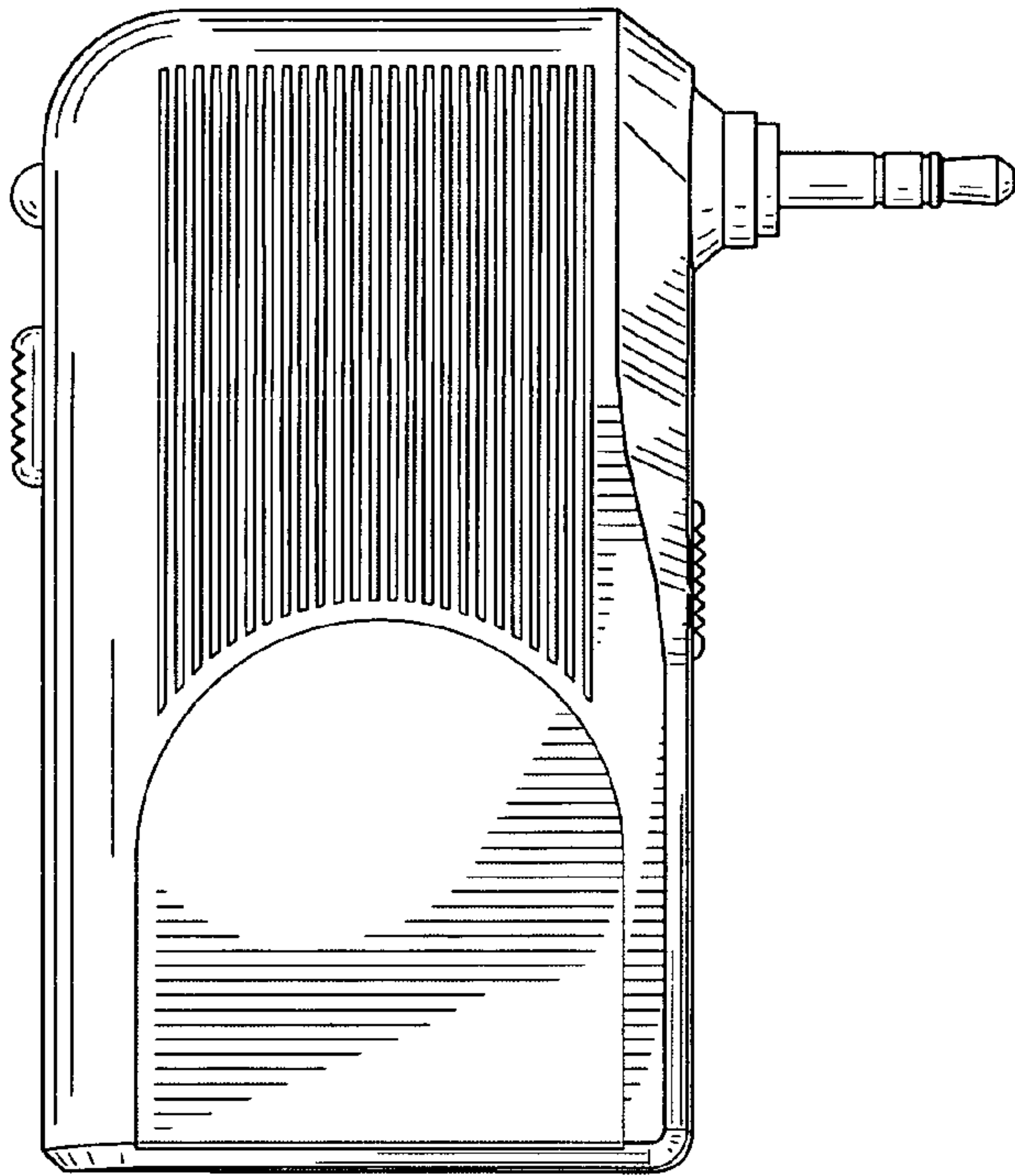


FIG. 2

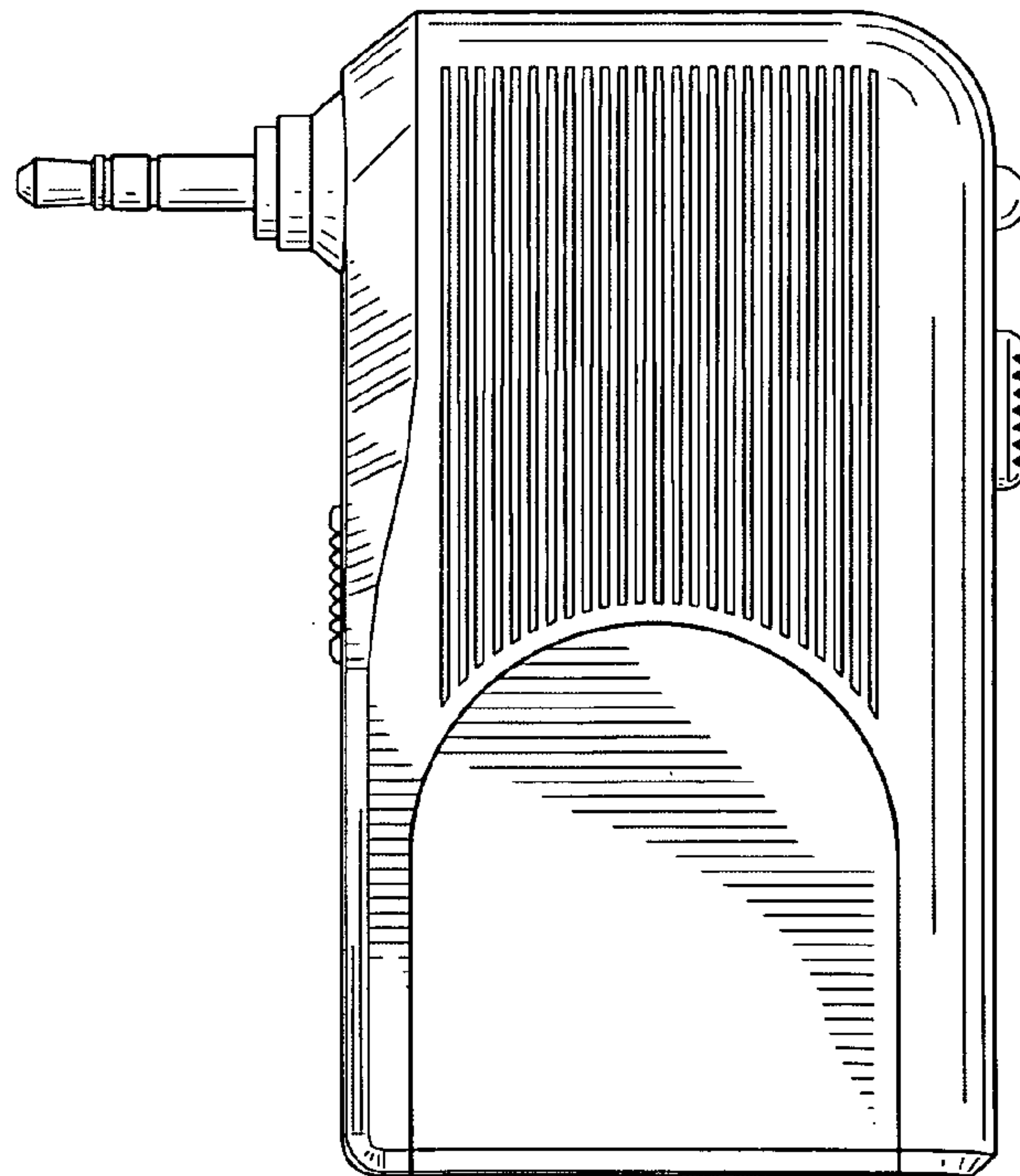
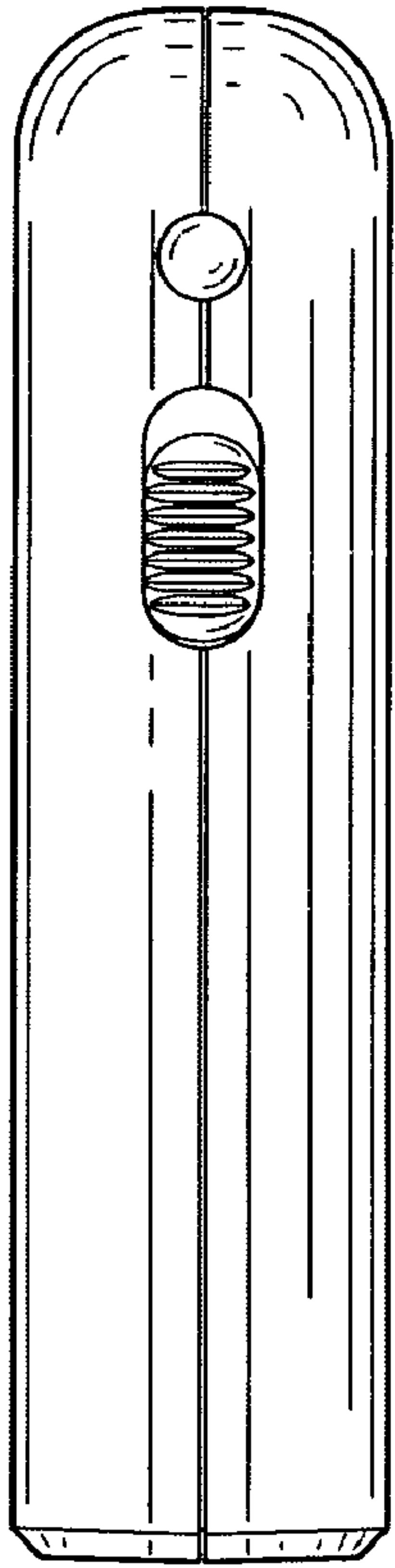
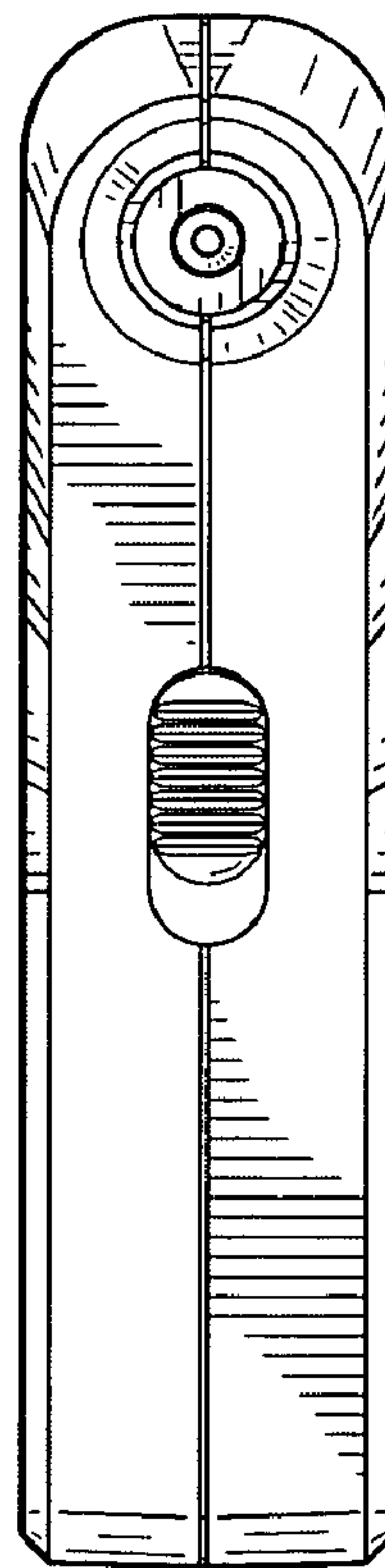


FIG. 3

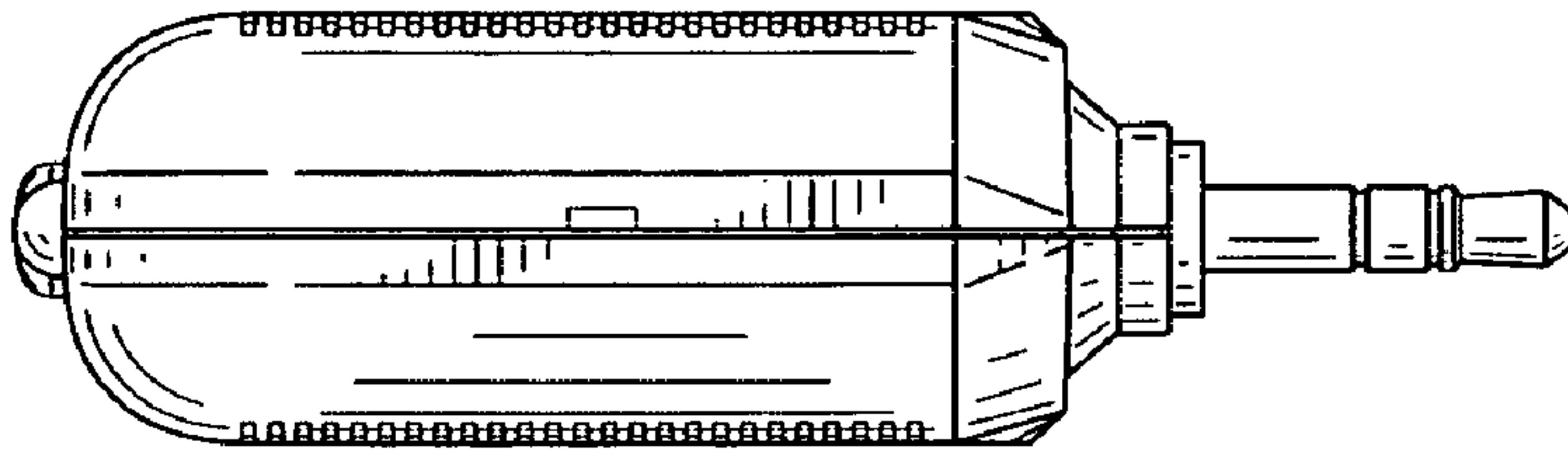




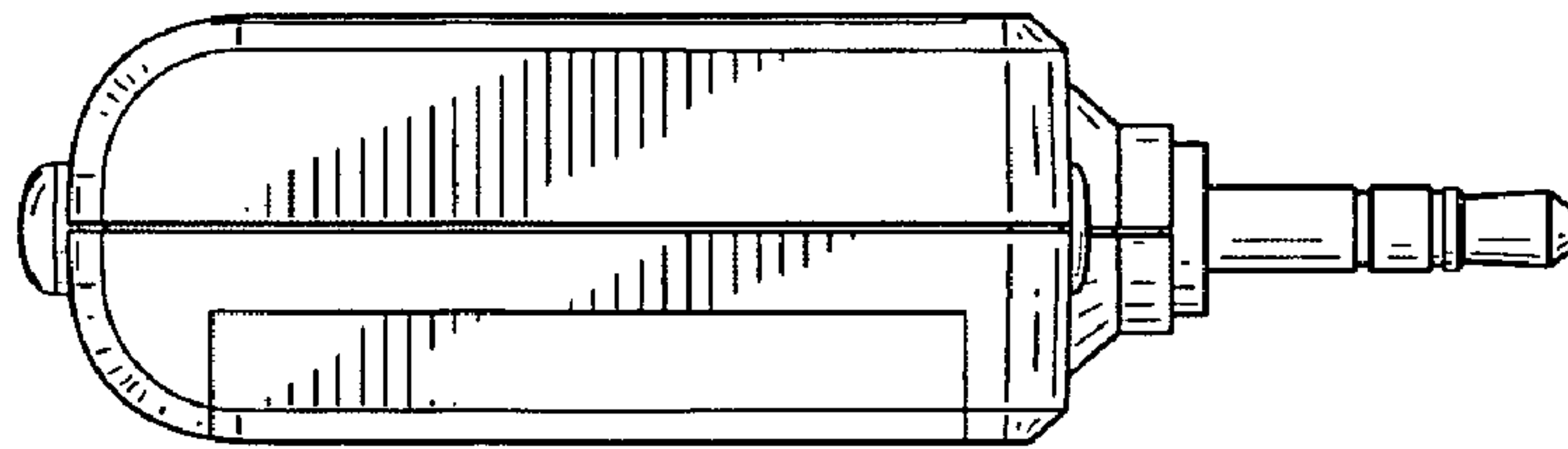
**FIG. 4**



**FIG. 5**



**FIG. 6**



**FIG. 7**