



US00D619563S

(12) **United States Design Patent**
Chen

(10) **Patent No.:** **US D619,563 S**
(45) **Date of Patent:** **** Jul. 13, 2010**

(54) **SPEAKER**
(75) Inventor: **Hwang-Miaw Chen**, Taipei Hsien (TW)
(73) Assignee: **Foxconn Technology Co., Ltd.**,
Tu-Cheng, Taipei Hsien (TW)
(**) Term: **14 Years**
(21) Appl. No.: **29/346,806**
(22) Filed: **Nov. 6, 2009**

7,130,432 B2 * 10/2006 Lee et al. 381/335
D576,606 S * 9/2008 Sanguinetti D14/214
D589,929 S * 4/2009 Okamura et al. D14/211

* cited by examiner

Primary Examiner—Nanda Bondade
(74) *Attorney, Agent, or Firm*—Frank R. Niranjan

(57) **CLAIM**

The ornamental design for a speaker, as shown.

(51) **LOC (9) Cl.** **14-01**
(52) **U.S. Cl.** **D14/214**
(58) **Field of Classification Search** D14/204,
D14/210–216, 172; 181/143–144, 147–148,
181/150–153, 157, 198–199; 381/300–303,
381/306, 332–333, 335–336, 345, 361–364,
381/386–388

See application file for complete search history.

(56) **References Cited**

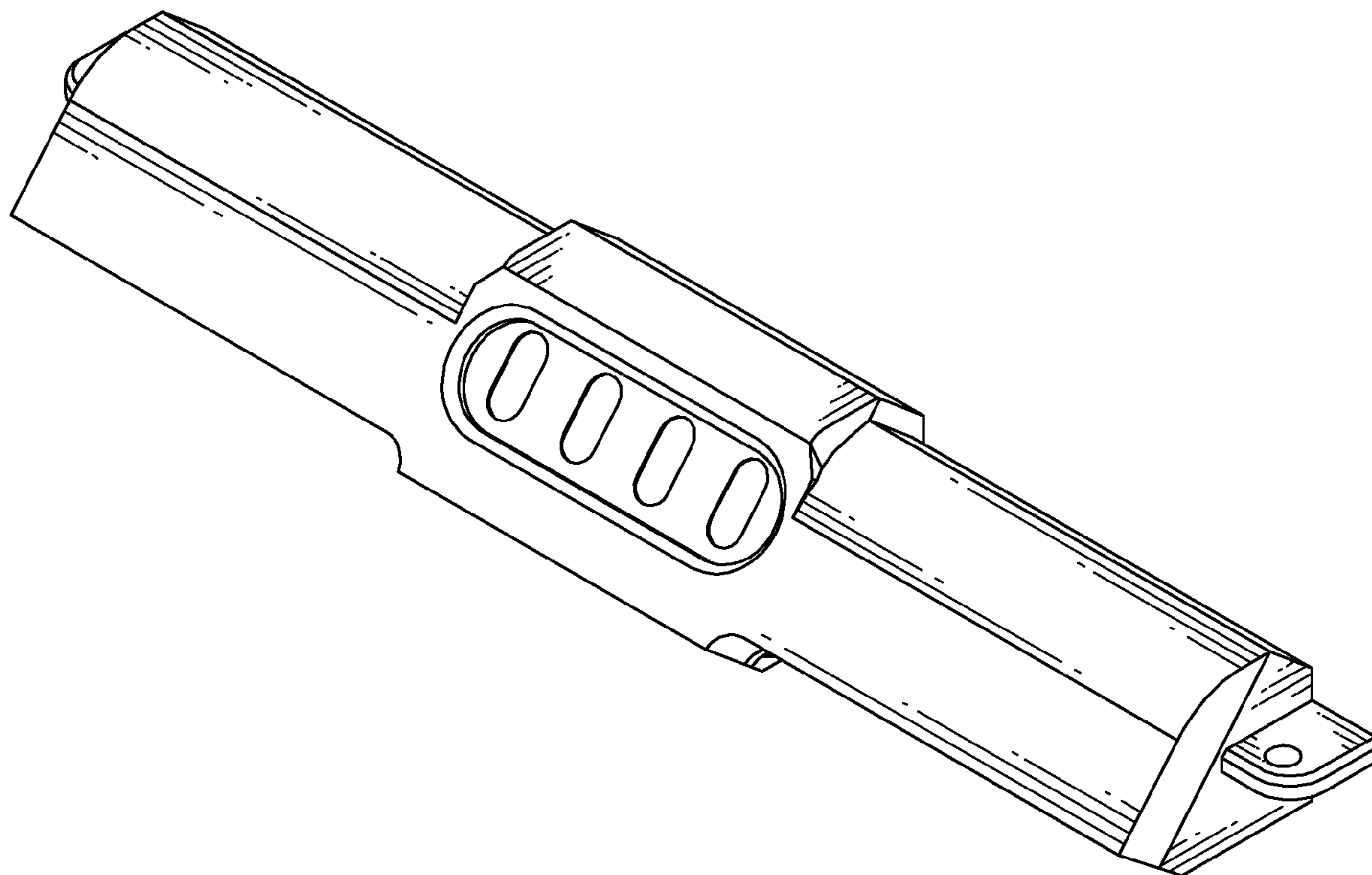
U.S. PATENT DOCUMENTS

D472,542 S * 4/2003 Oikawa D14/172

DESCRIPTION

FIG. 1 is a perspective view of a speaker of my new design;
FIG. 2 is a front elevational view thereof;
FIG. 3 is a rear elevational view thereof;
FIG. 4 is a left side elevational view thereof;
FIG. 5 is a right side elevational view thereof;
FIG. 6 is a top plan view thereof; and,
FIG. 7 is a bottom plan view thereof.

1 Claim, 7 Drawing Sheets



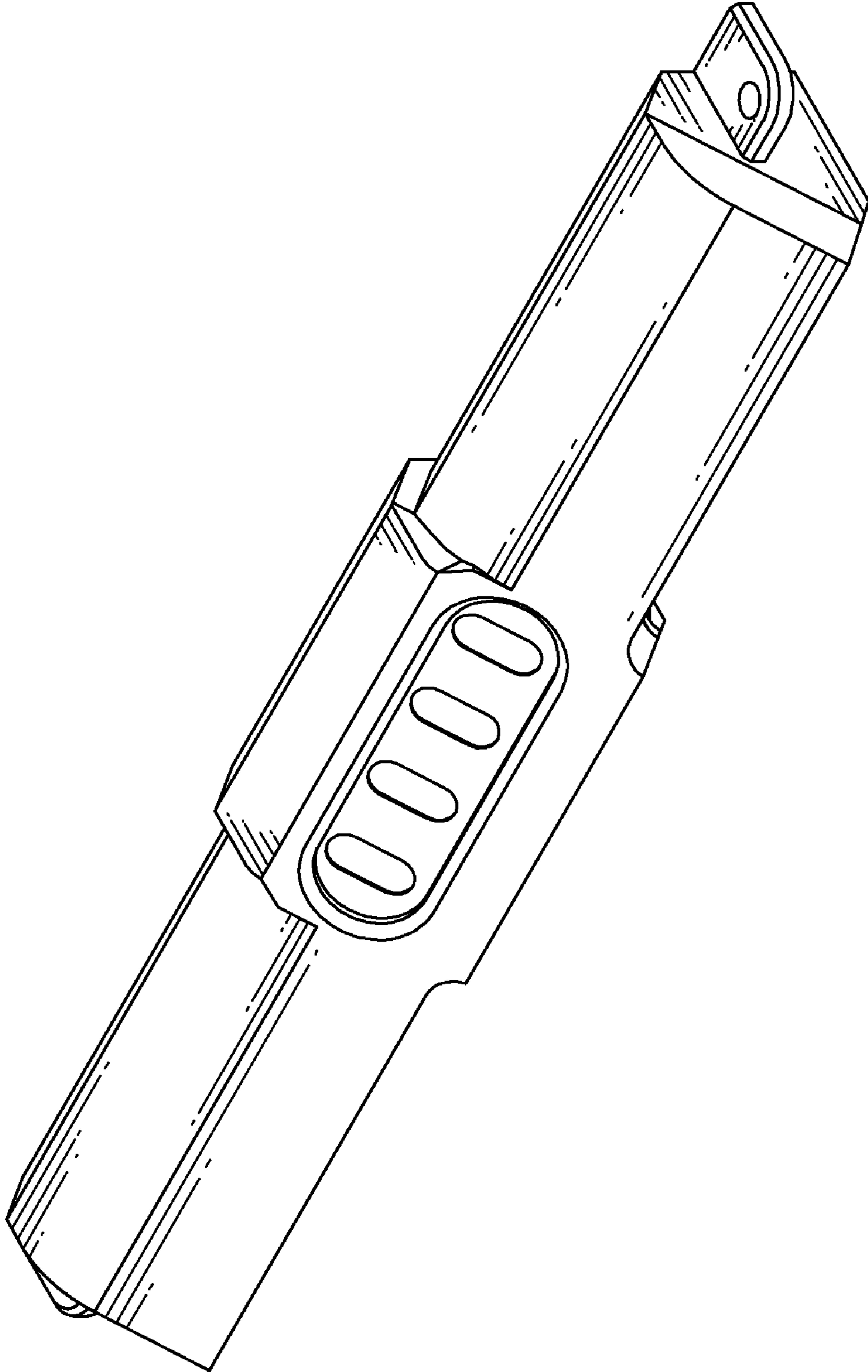


FIG. 1

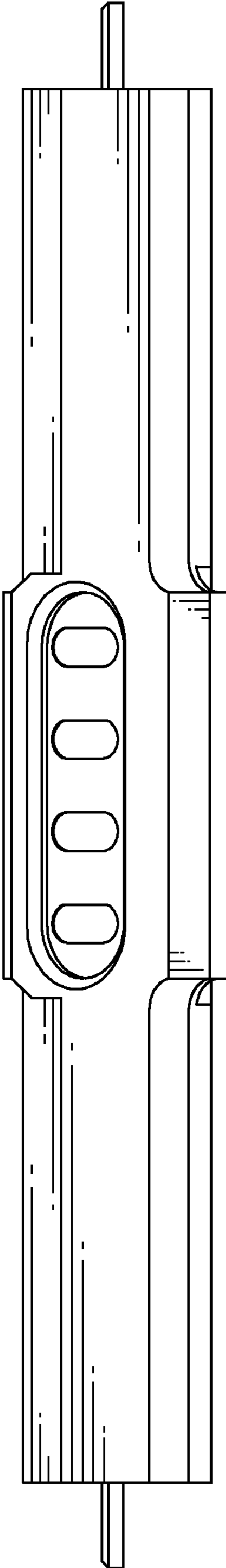


FIG. 2

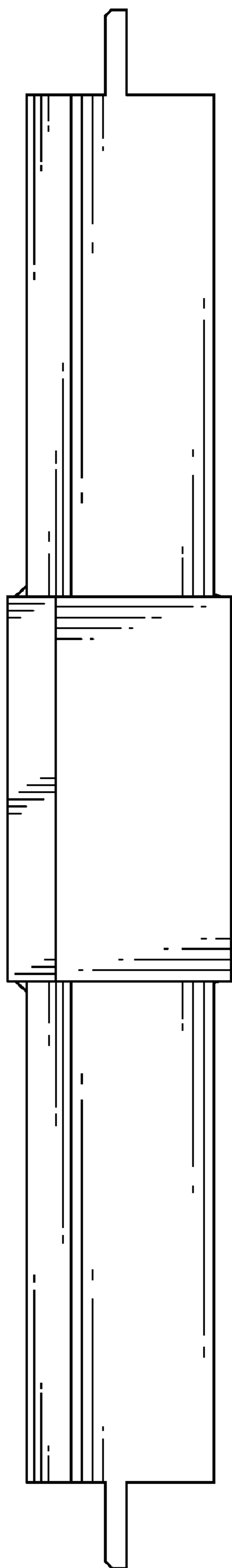


FIG. 3

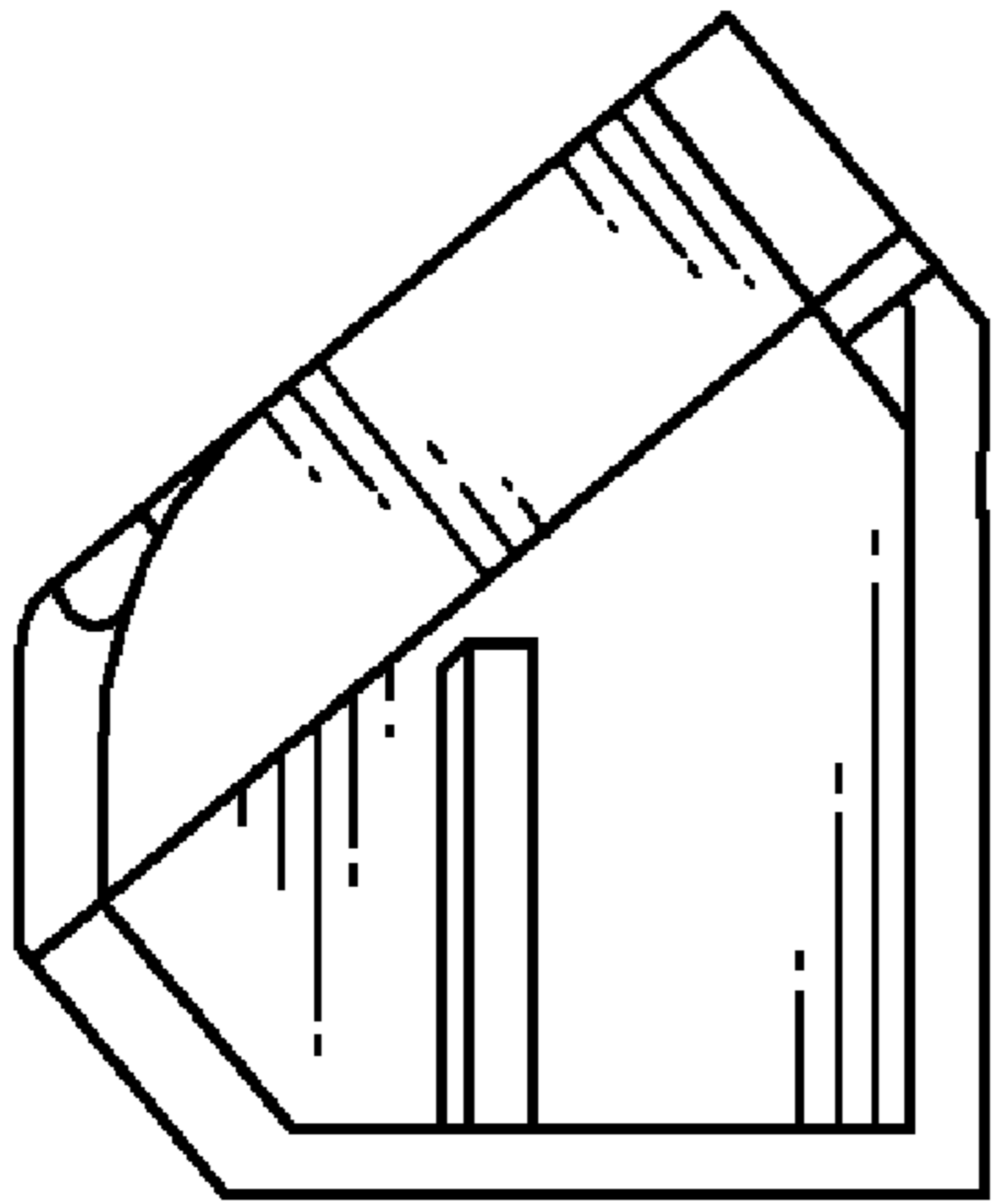


FIG. 4

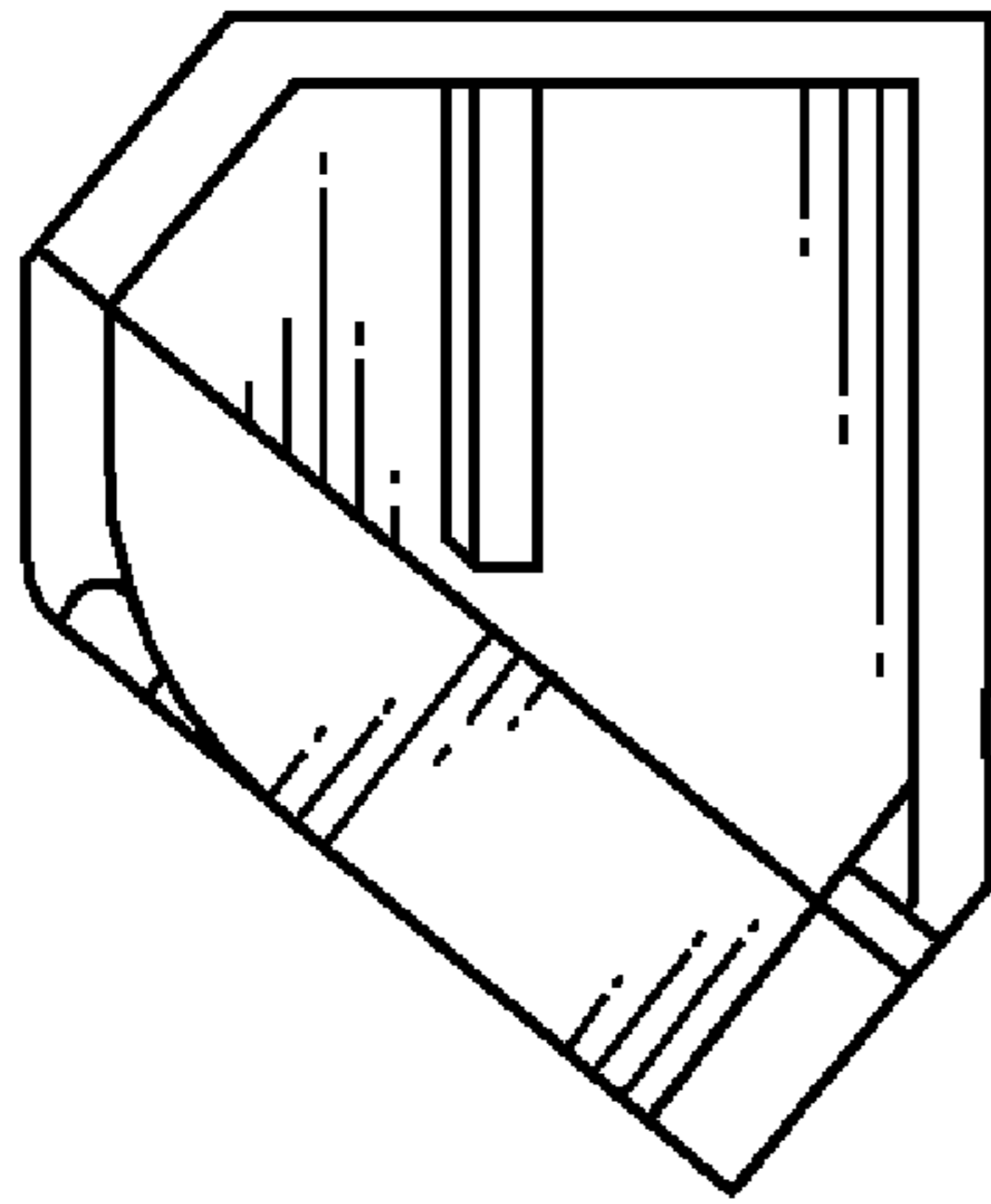


FIG. 5

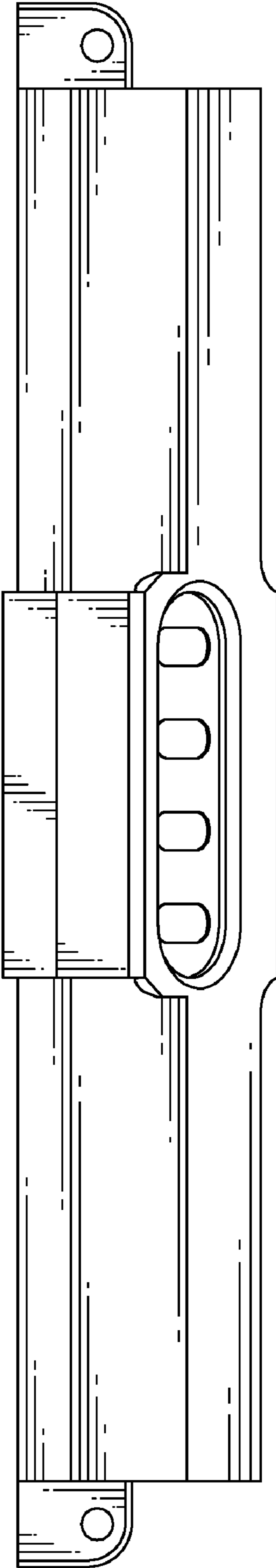


FIG. 6

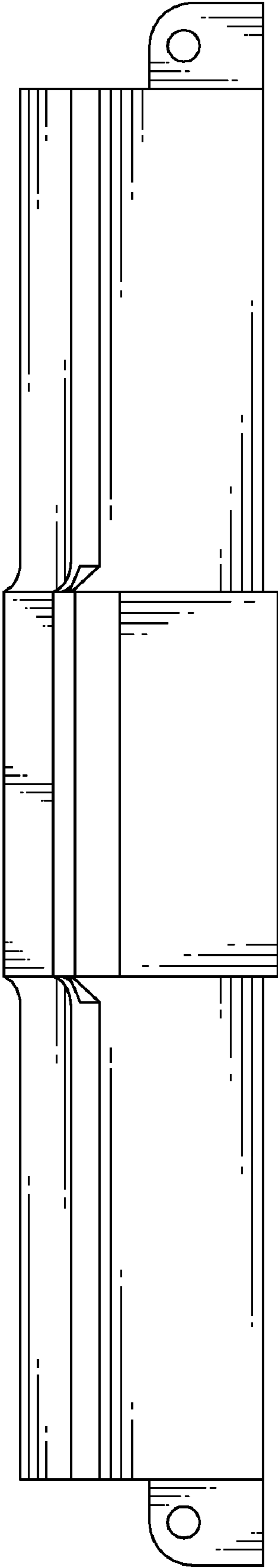


FIG. 7