



US00D619560S

(12) **United States Design Patent**
Ho

(10) **Patent No.:** **US D619,560 S**
(45) **Date of Patent:** **** Jul. 13, 2010**

(54) **MULTIMEDIA DEVICE**

(75) Inventor: **Meiyu Ho**, Taoyuan County (TW)

(73) Assignee: **Gemtek Technology Co., Ltd.**, Hsinchu (TW)

(**) Term: **14 Years**

(21) Appl. No.: **29/350,145**

(22) Filed: **Nov. 12, 2009**

(51) **LOC (9) Cl.** **14-03**

(52) **U.S. Cl.** **D14/203.8; D14/203.7**

(58) **Field of Classification Search** D14/496,
D14/401, 435, 474, 483, 217, 137, 138, 160,
D14/168, 356, 203.1–203.8, 507; 345/156,
345/169, 173–179, 905; 715/727–729, 864;
710/1, 5, 8; 713/1, 600; 455/1.1, 1.7, 73,
455/344–347, 93, 95, 3.01–3.06, 550.1, 573.1;
370/342–344; 369/1, 2, 6–12; 463/43–47;
273/148 B

See application file for complete search history.

(56) **References Cited**

U.S. PATENT DOCUMENTS

D491,902 S * 6/2004 Chen D14/126
6,793,365 B1 * 9/2004 Rieck 362/162
D517,538 S * 3/2006 Chen et al. D14/257
7,095,867 B2 * 8/2006 Schul et al. 381/334
D536,329 S * 2/2007 Lee D14/203.6

D545,810 S * 7/2007 Hussaini et al. D14/496
D555,666 S * 11/2007 Hussaini et al. D14/496
D567,513 S * 4/2008 Fang et al. D6/300
D591,308 S * 4/2009 Sasaki et al. D14/496
2006/0050473 A1 * 3/2006 Zheng 361/681

* cited by examiner

Primary Examiner—Prabhakar Deshmukh

(74) *Attorney, Agent, or Firm*—Rosenberg, Klein & Lee

(57) **CLAIM**

The ornamental design for a multimedia device, as shown and described.

DESCRIPTION

FIG. 1 is a perspective view of a multimedia device showing my new design;

FIG. 2 is a front elevational view thereof;

FIG. 3 is a rear elevational view thereof;

FIG. 4 is a left side elevational view thereof;

FIG. 5 is a right side elevational view thereof;

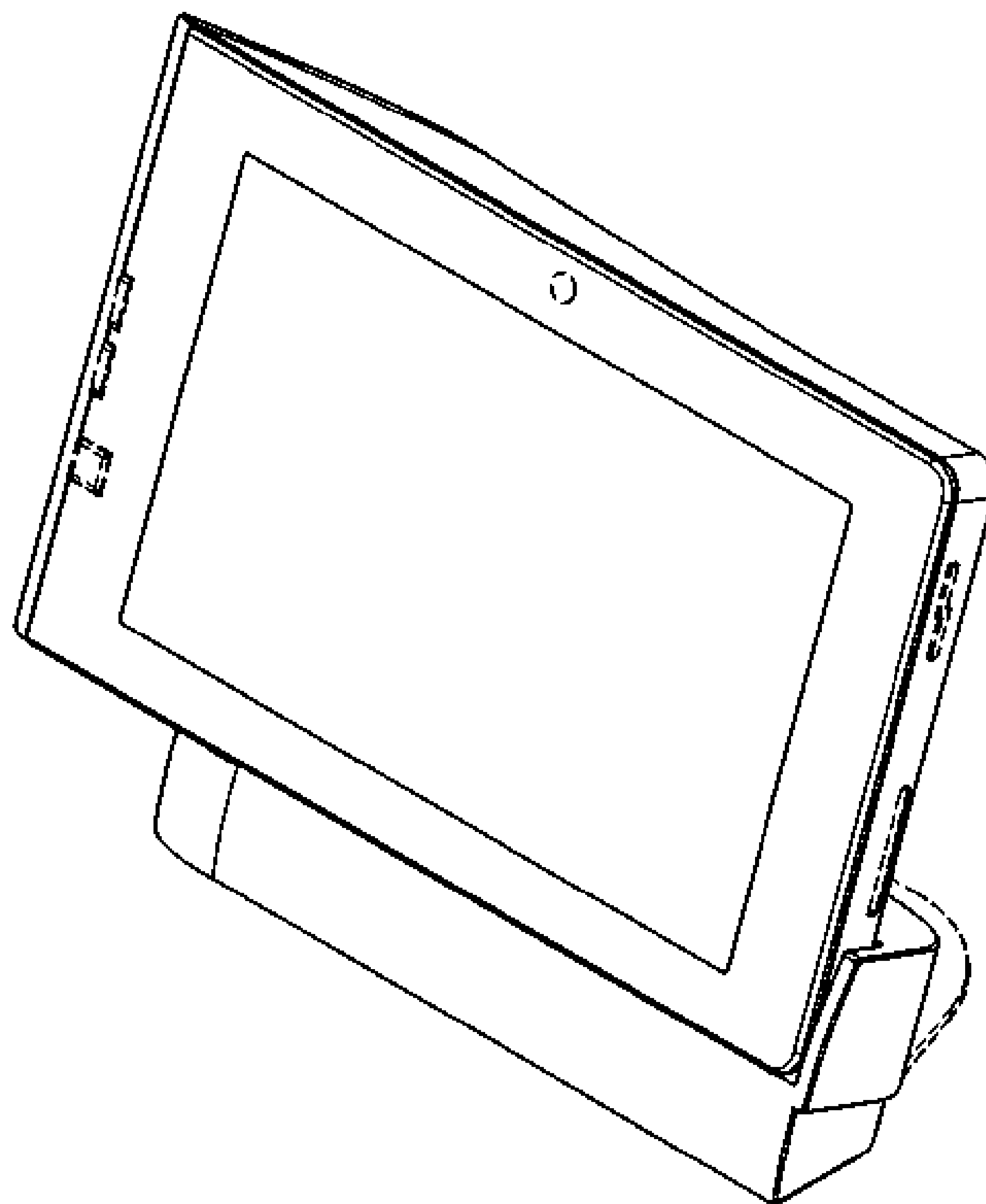
FIG. 6 is a top side elevational view thereof;

FIG. 7 is a bottom side elevational view thereof; and,

FIG. 8 is another perspective view of a multimedia device of the invention.

The broken lines in the Figures are for illustrative purposes only and form no part of the claimed design.

1 Claim, 8 Drawing Sheets



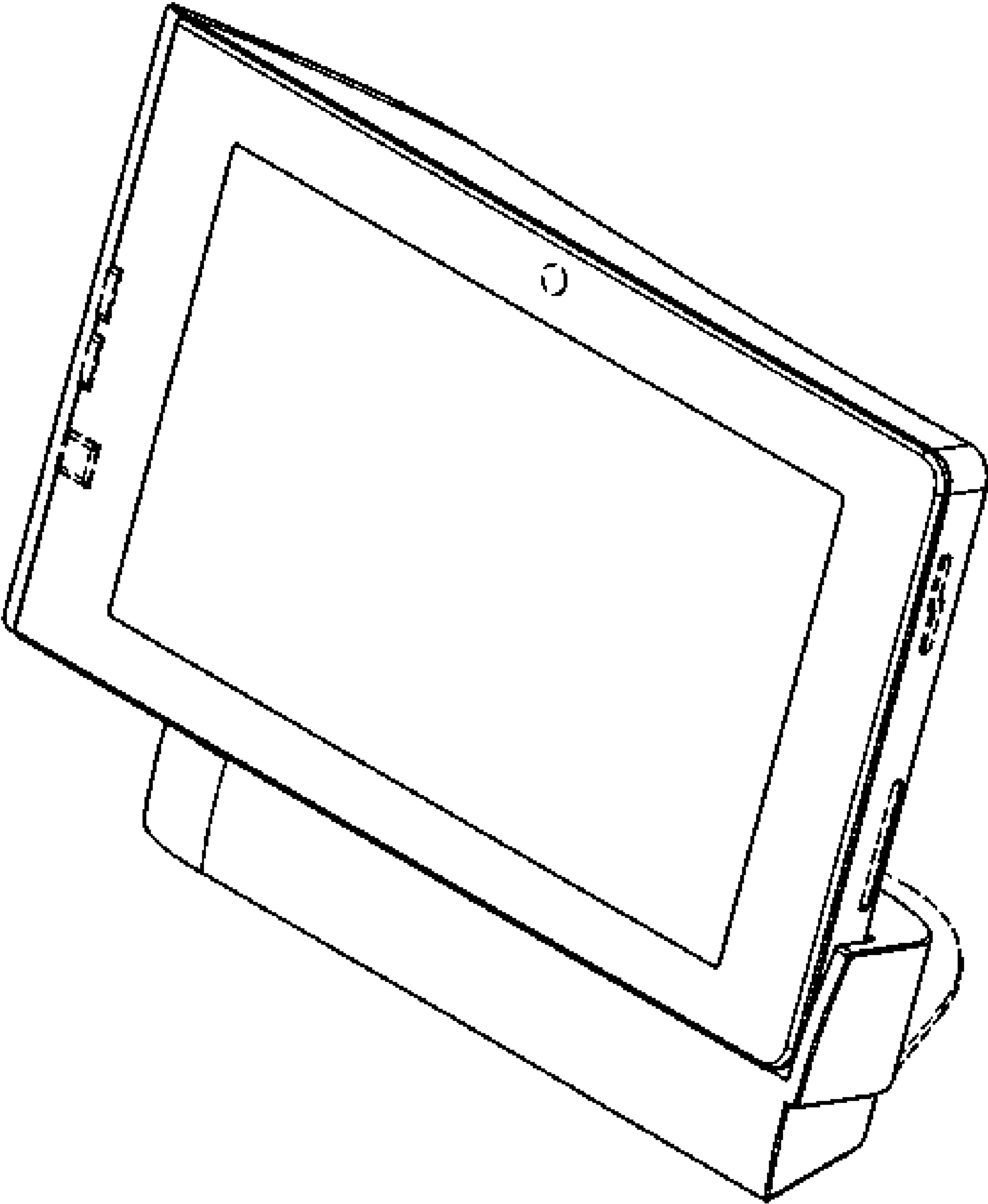


FIG. 1

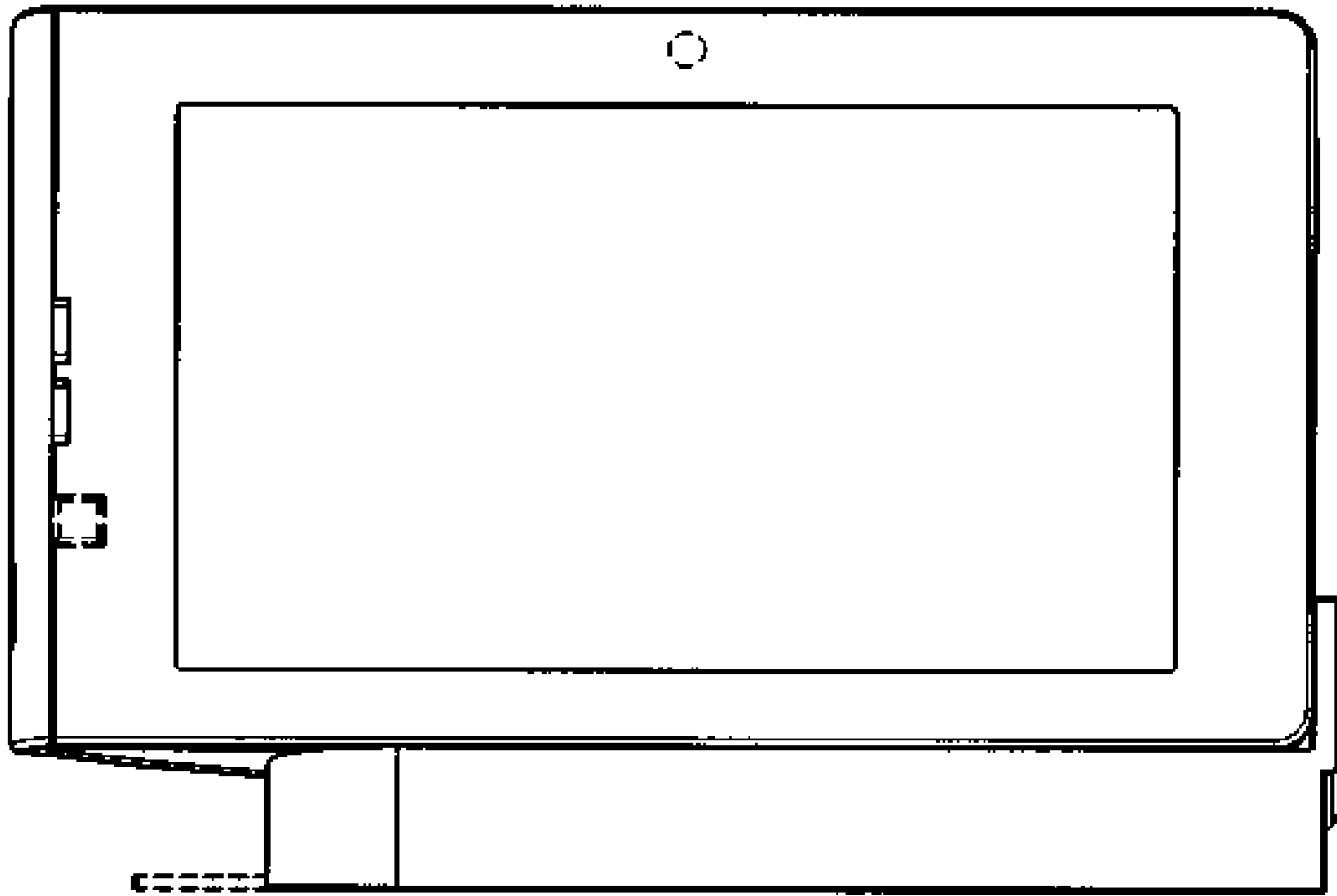


FIG.2

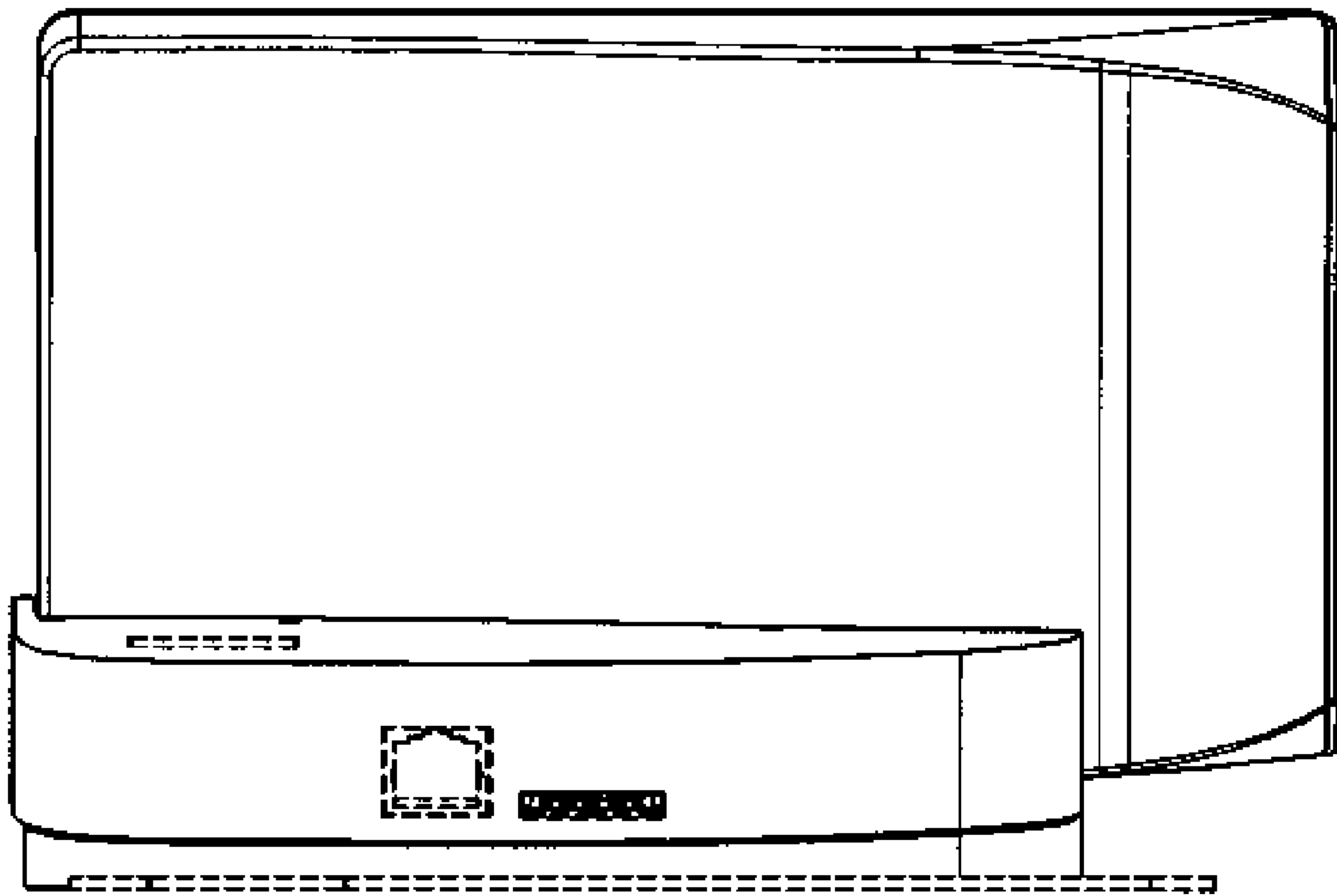


FIG.3

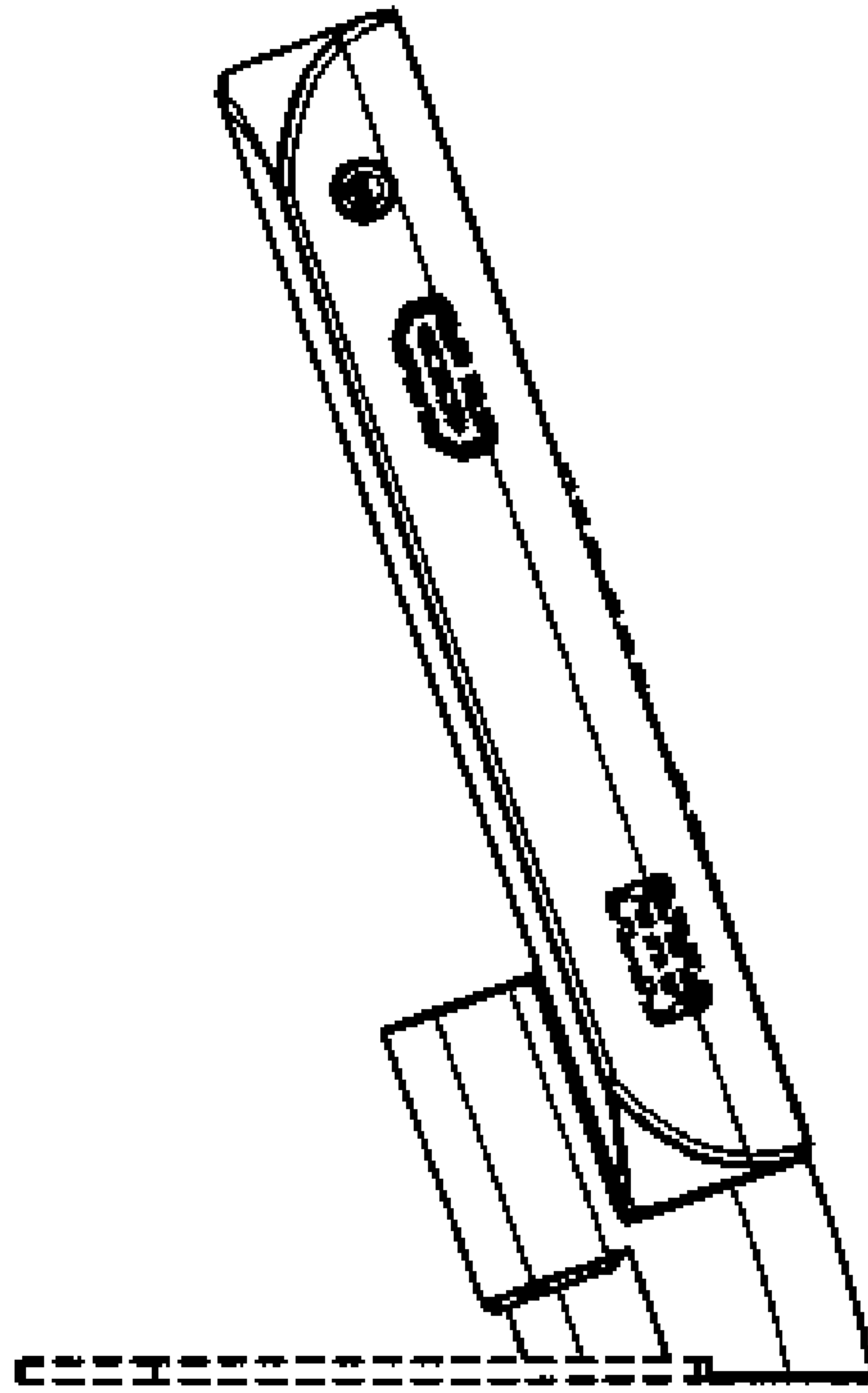


FIG. 4

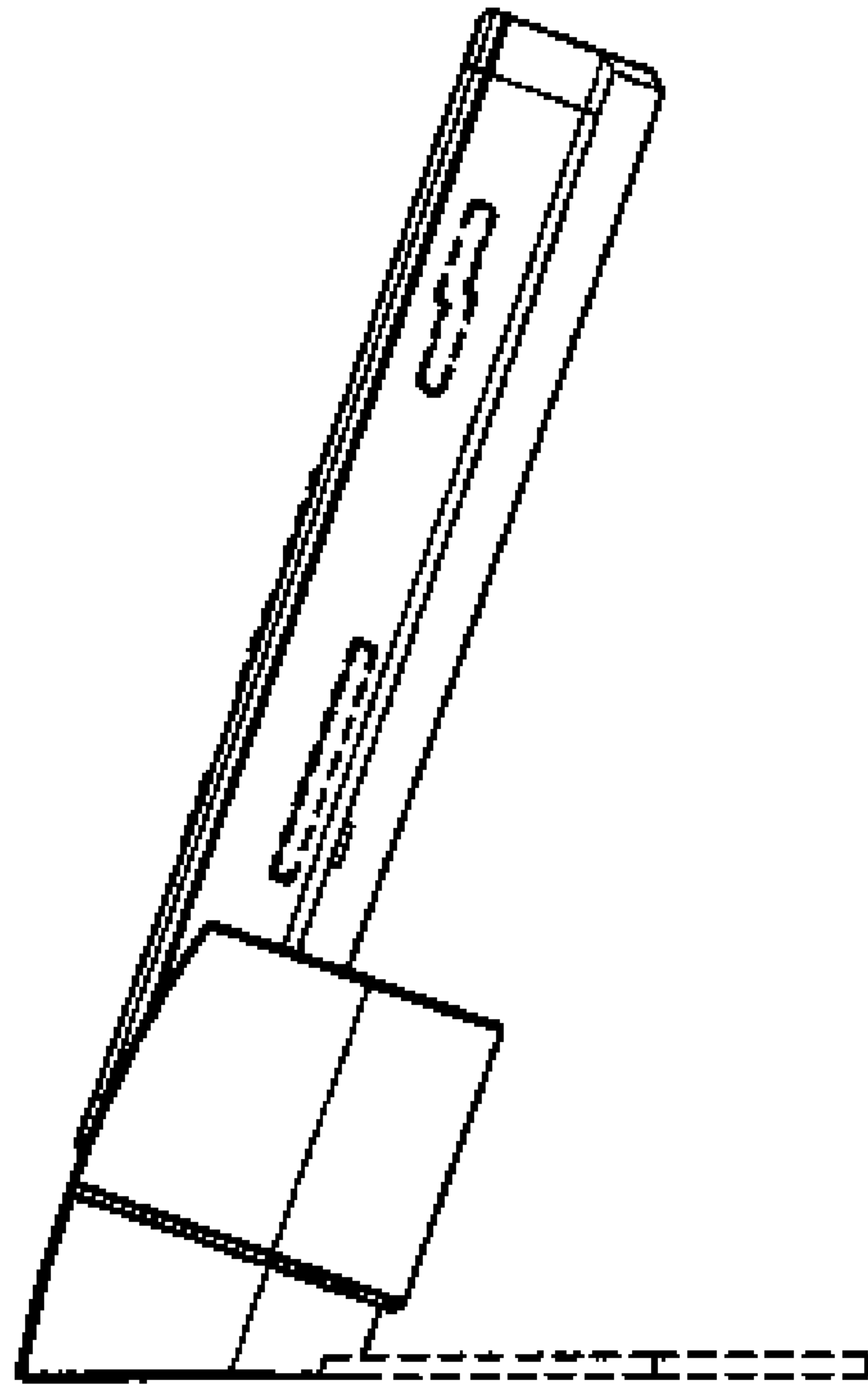


FIG. 5

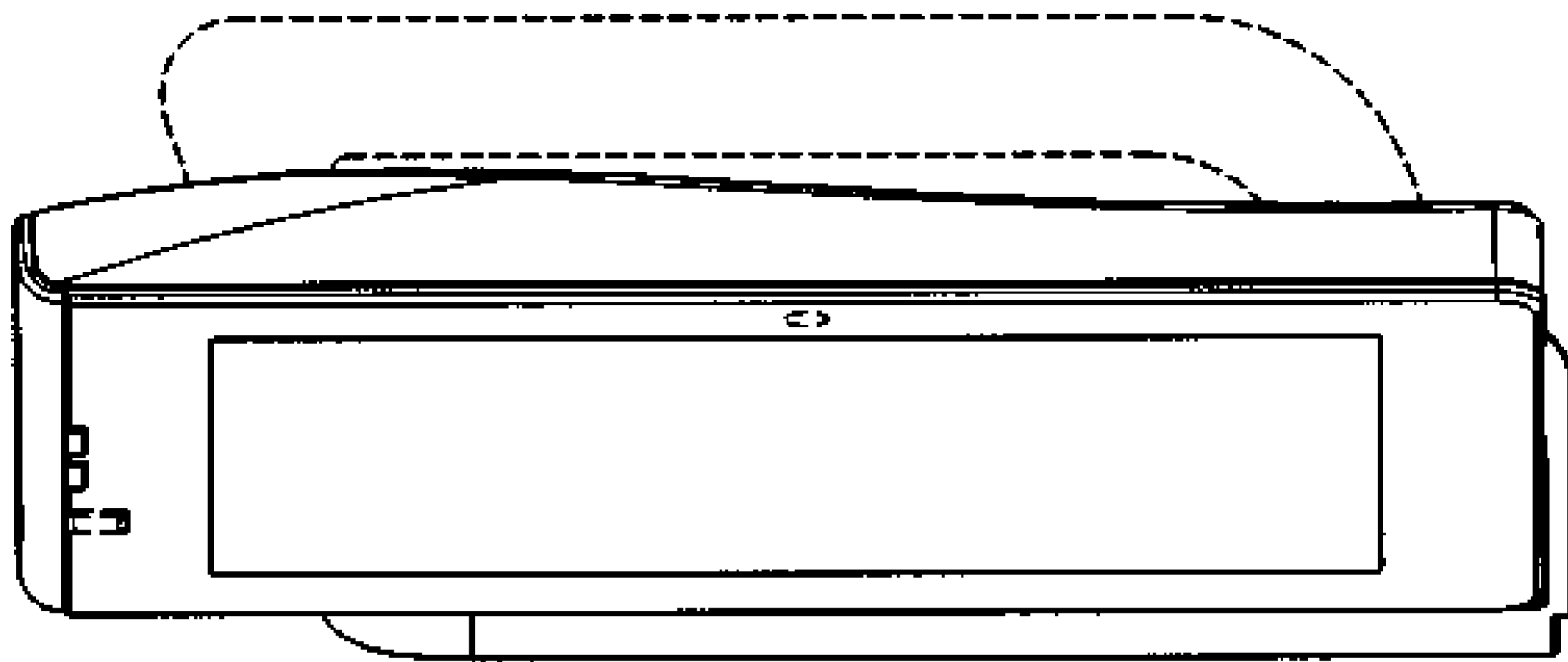


FIG. 6

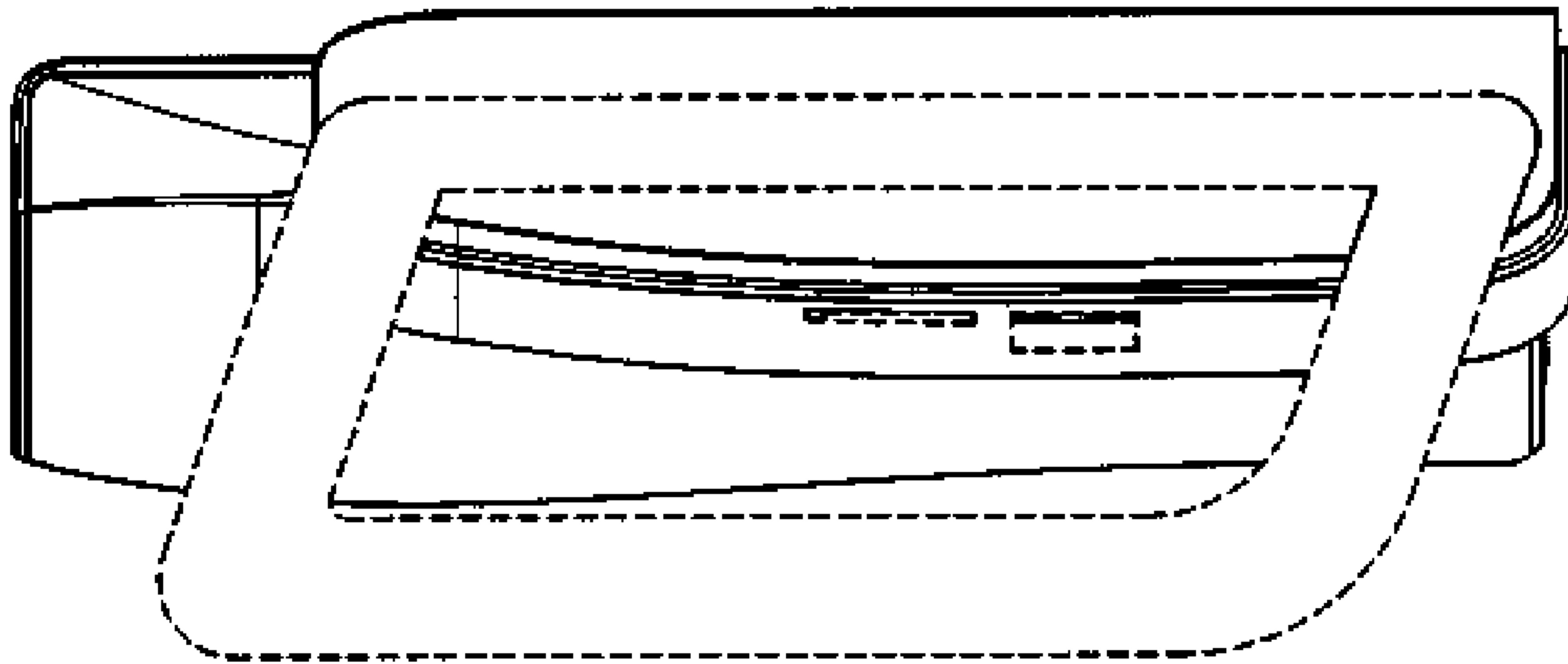


FIG. 7

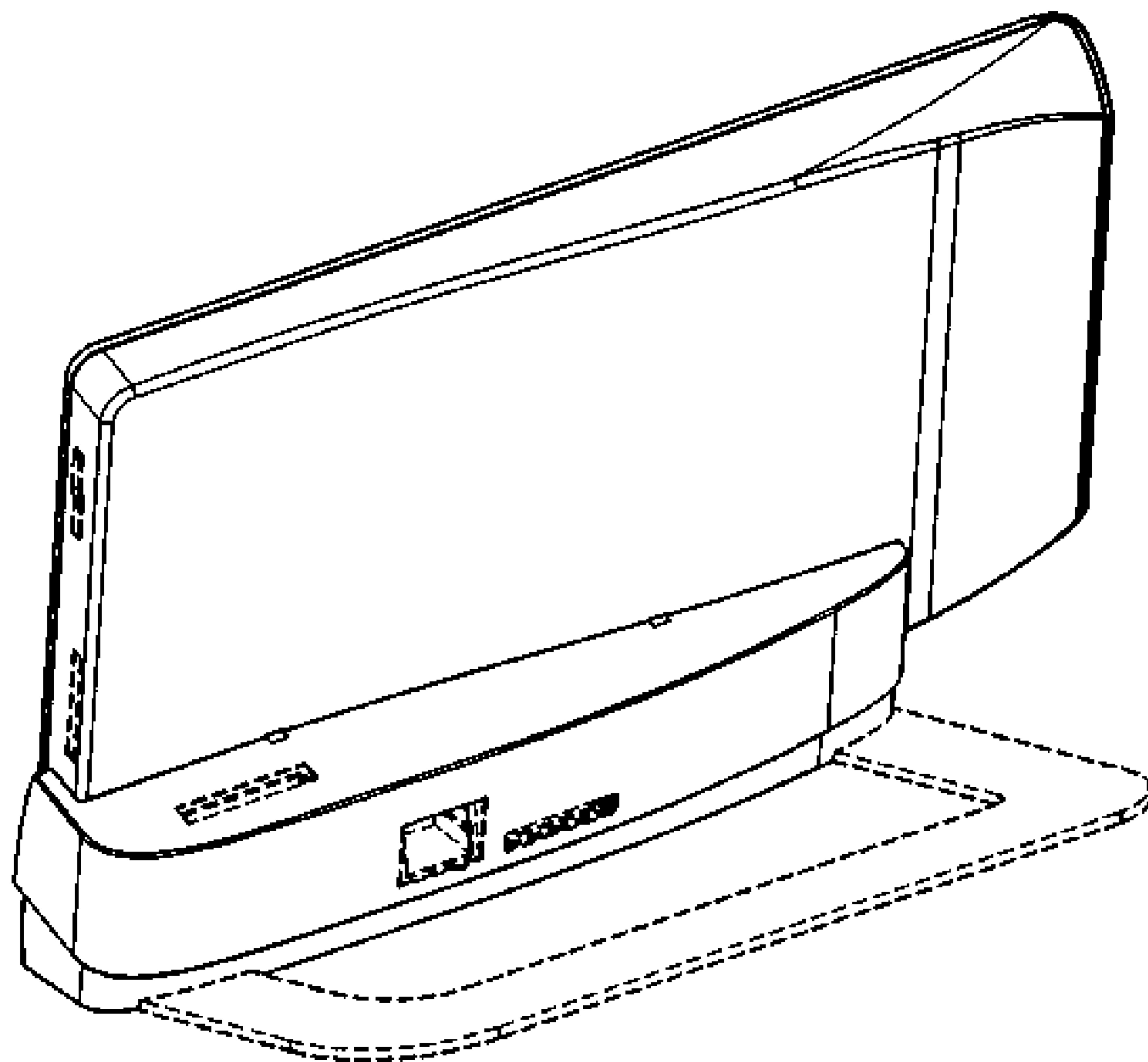


FIG. 8