



US00D619559S

(12) **United States Design Patent**  
**Voorhees**

(10) **Patent No.:** **US D619,559 S**

(45) **Date of Patent:** **\*\* Jul. 13, 2010**

(54) **MOUNT FOR AN MP3 PLAYER**

(76) Inventor: **Jeffrey C. Voorhees**, 1004 N. Lincoln St.,  
Burbank, CA (US) 91506

(\*\*) Term: **14 Years**

(21) Appl. No.: **29/334,550**

(22) Filed: **Mar. 27, 2009**

(51) **LOC (9) Cl.** ..... **14-01**

(52) **U.S. Cl.** ..... **D14/203.6; D14/238.1**

(58) **Field of Classification Search** ..... D14/203.6,  
D14/203.8, 483, 496, 509, 510, 229, 238.1;  
D7/620; D17/22; D3/218, 303

See application file for complete search history.

(56) **References Cited**

**U.S. PATENT DOCUMENTS**

D205,474	S	*	8/1966	Farnlund	.....	D17/22
D365,358	S	*	12/1995	Klein	.....	D17/22
6,076,787	A		6/2000	Troyer		
D462,711	S	*	9/2002	Arsala	.....	D17/22
D521,964	S	*	5/2006	Zhang	.....	D14/203.8
7,398,535	B2	*	7/2008	Zhang	.....	720/600
D577,761	S	*	9/2008	Nakao et al.	.....	D17/22
D579,041	S	*	10/2008	Nakao et al.	.....	D17/22
D592,637	S	*	5/2009	Zhang	.....	D14/203.6
2007/0115194	A1	*	5/2007	Song et al.	.....	343/773
2008/0001043	A1		1/2008	Meyer		

\* cited by examiner

*Primary Examiner*—T. Chase Nelson

*Assistant Examiner*—John Windmuller

(74) *Attorney, Agent, or Firm*—John K. Buche; Buche &  
Associates, P.C.

(57) **CLAIM**

The ornamental design for a mount for an MP3 player, as  
shown and described.

**DESCRIPTION**

FIG. 1 is a perspective view of a mount for an MP3 player  
showing my new design;

FIG. 2 is a rear elevational view of the invention;

FIG. 3 is a front elevational view of the invention;

FIG. 4 is a left-side elevational view of the invention;

FIG. 5 is a right-side elevational view of the invention;

FIG. 6 is a top plan view of the invention;

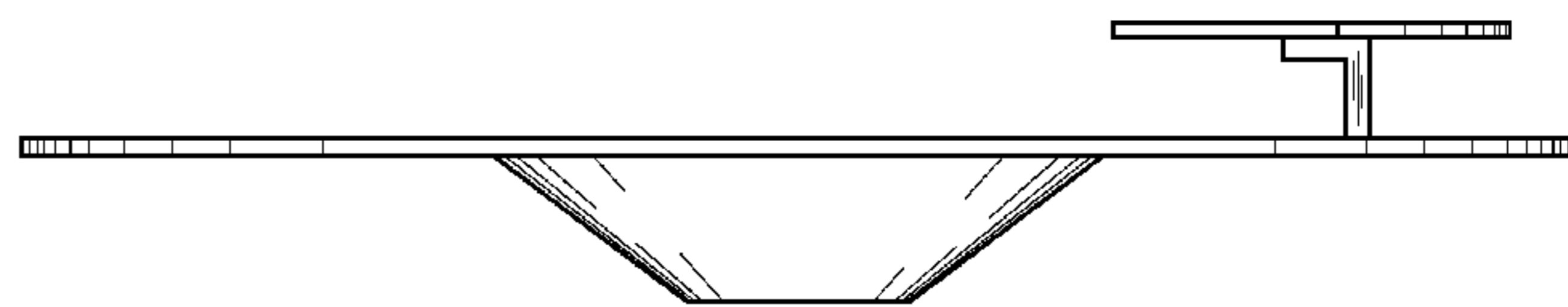
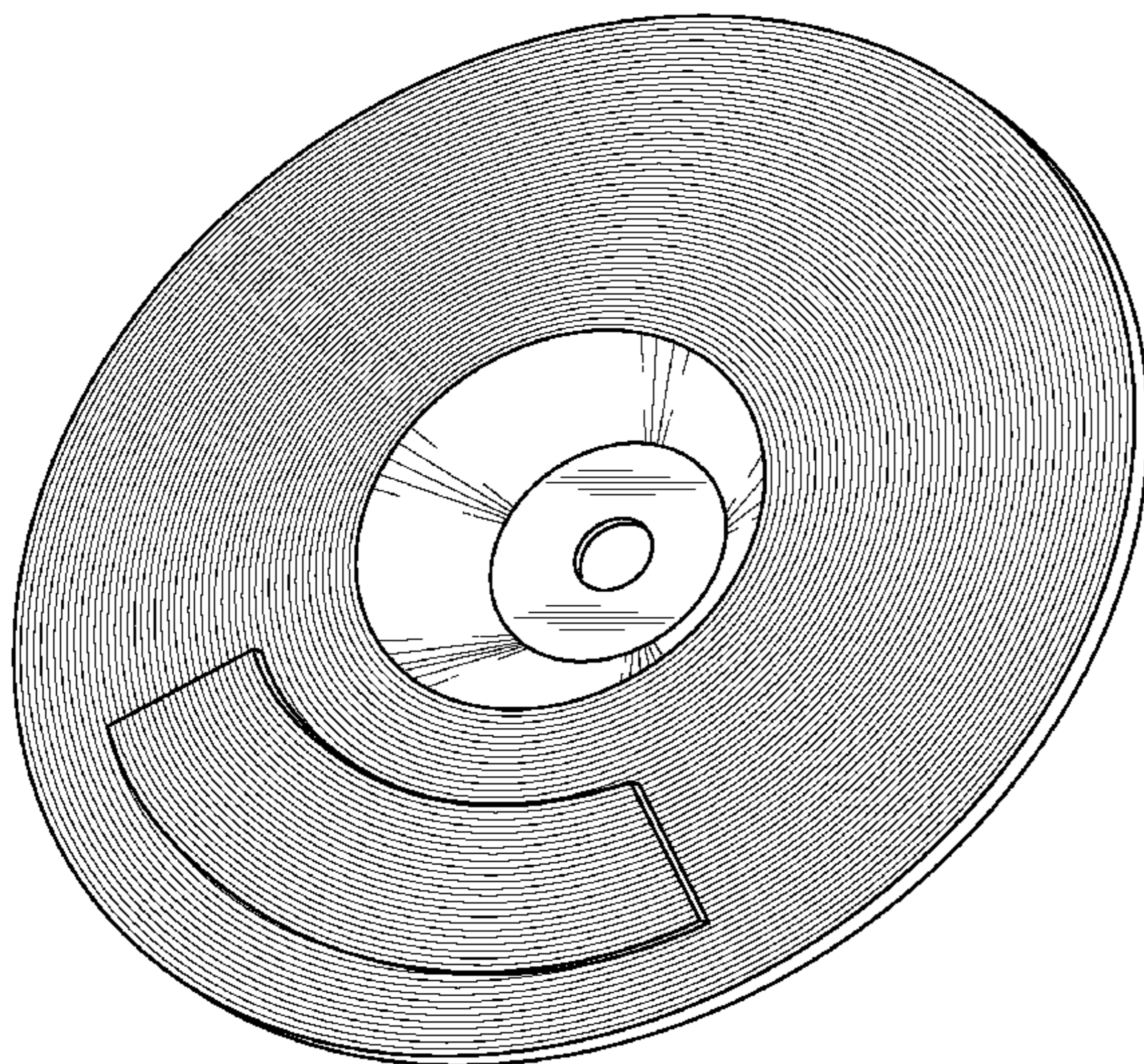
FIG. 7 is a bottom plan view of the invention;

FIG. 8 is a perspective view of the invention, shown in its  
environment; and,

FIG. 9 is a perspective view of the invention, shown in its  
environment.

The broken line showing of a stand and an MP3 player depicts  
environmental subject matter only and forms no part of the  
claimed design.

**1 Claim, 5 Drawing Sheets**



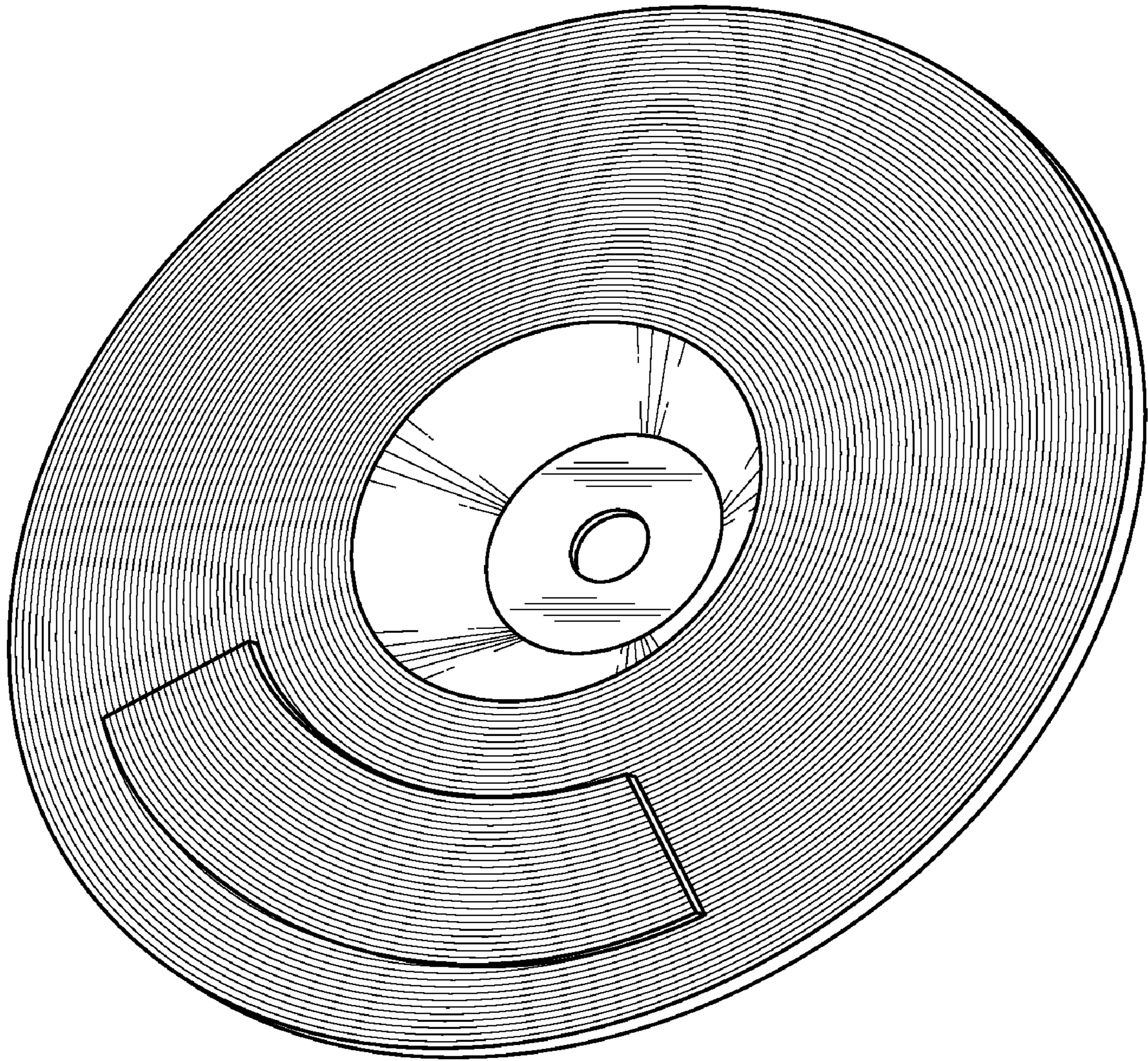


FIG. 1

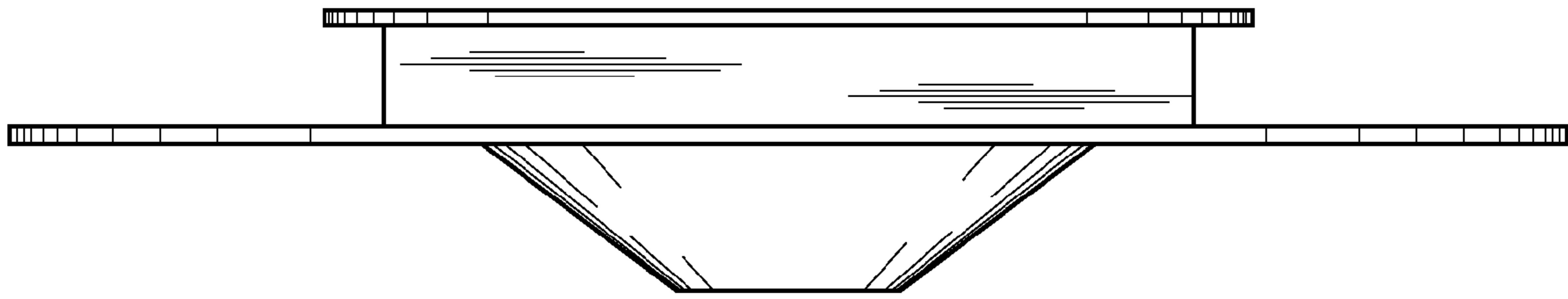


FIG. 2

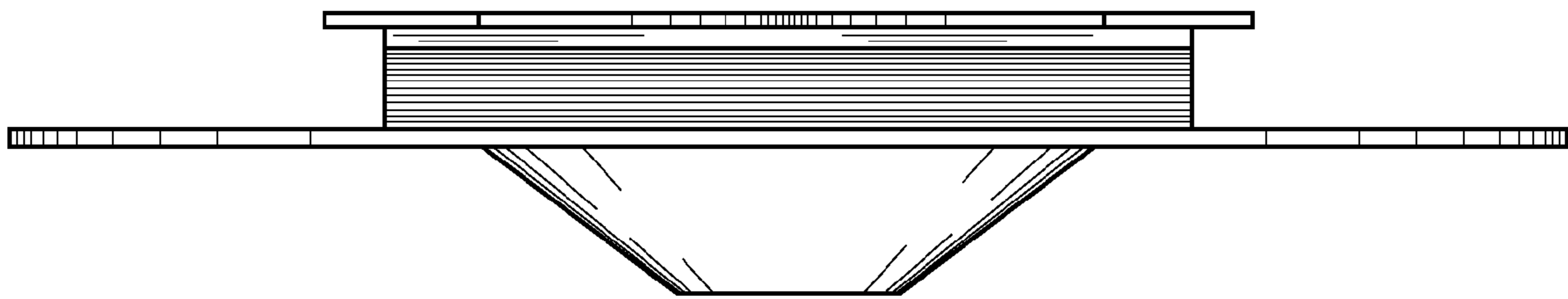


FIG. 3

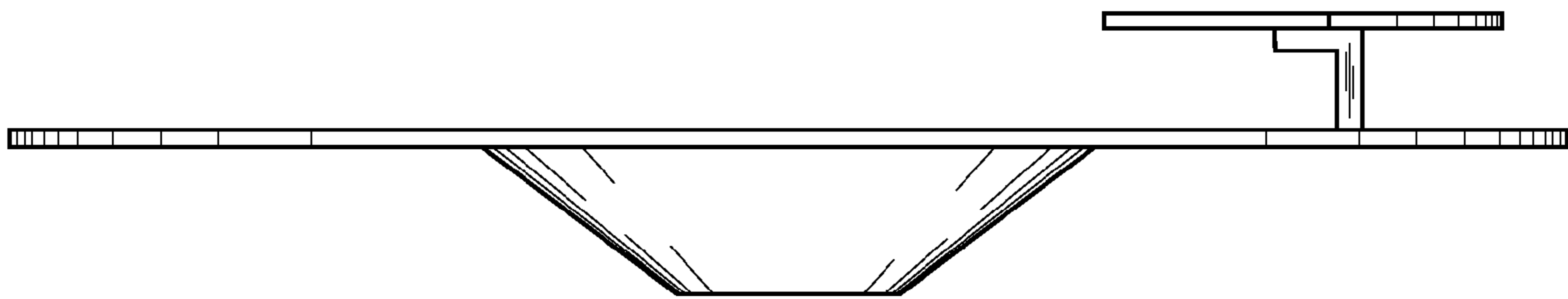


FIG. 4

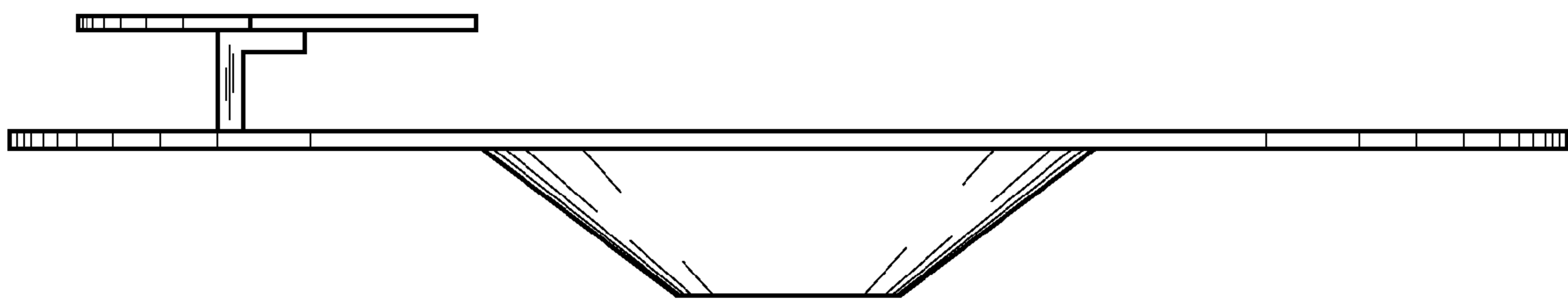


FIG. 5

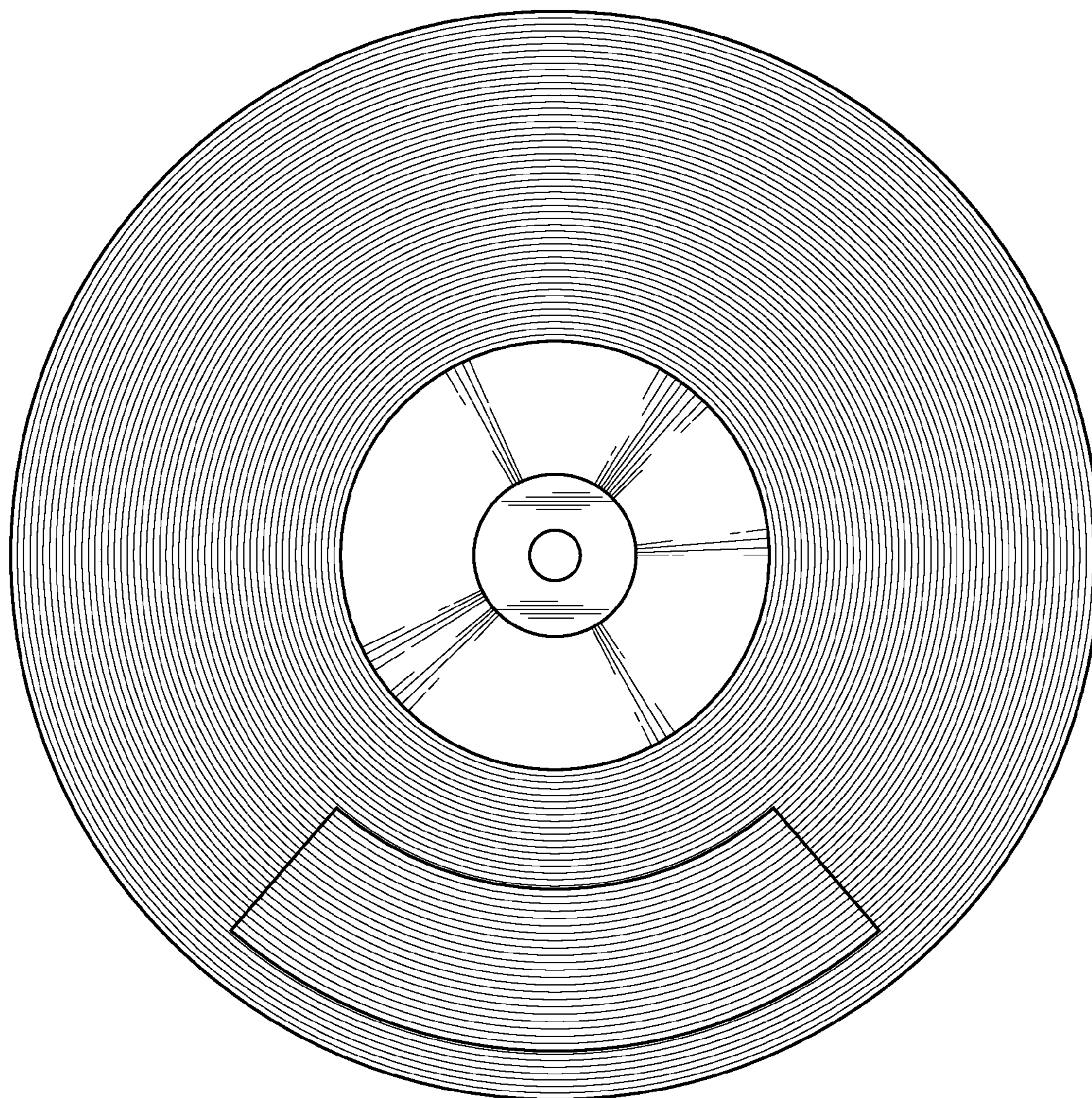


FIG. 6

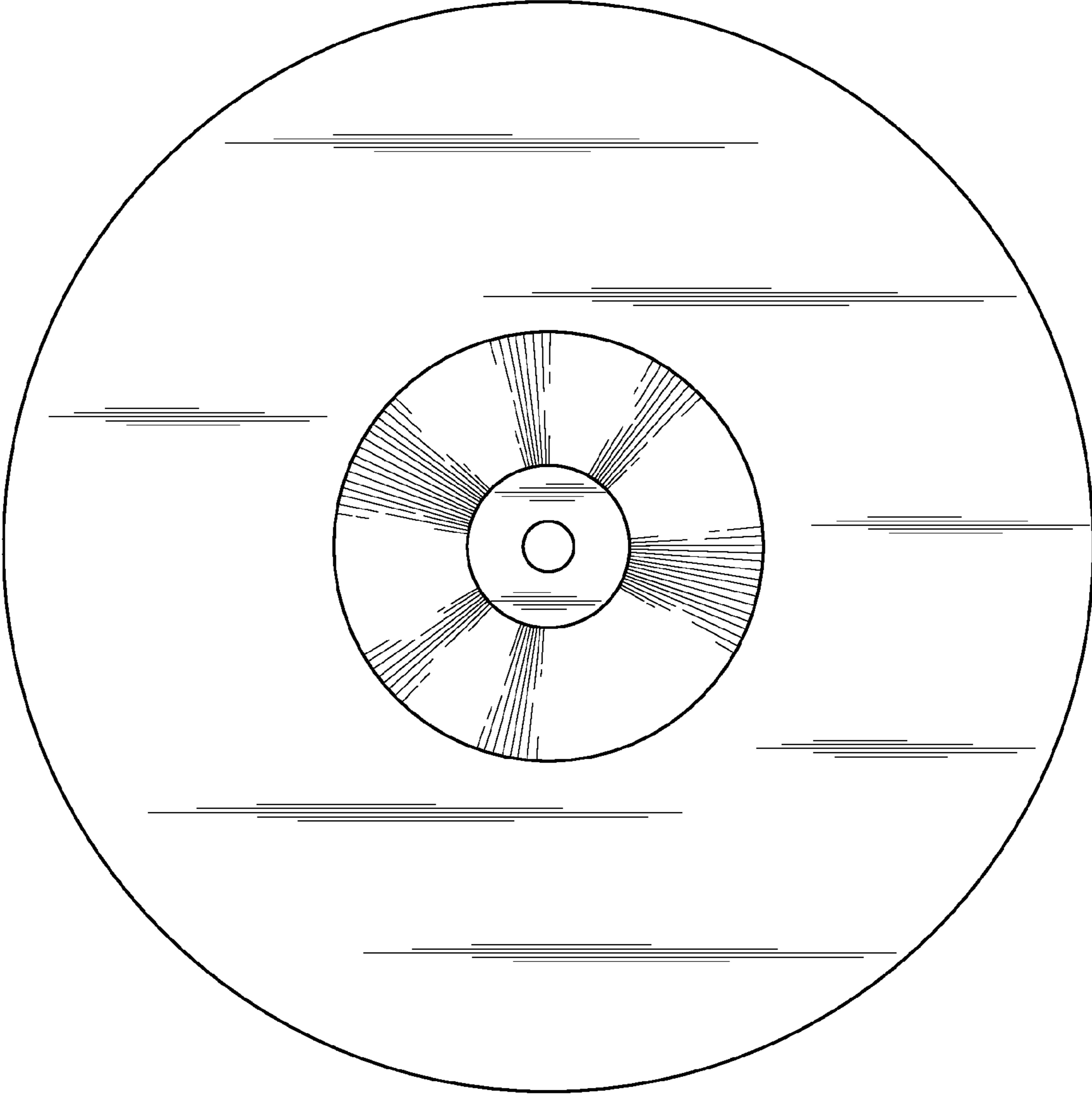


FIG. 7

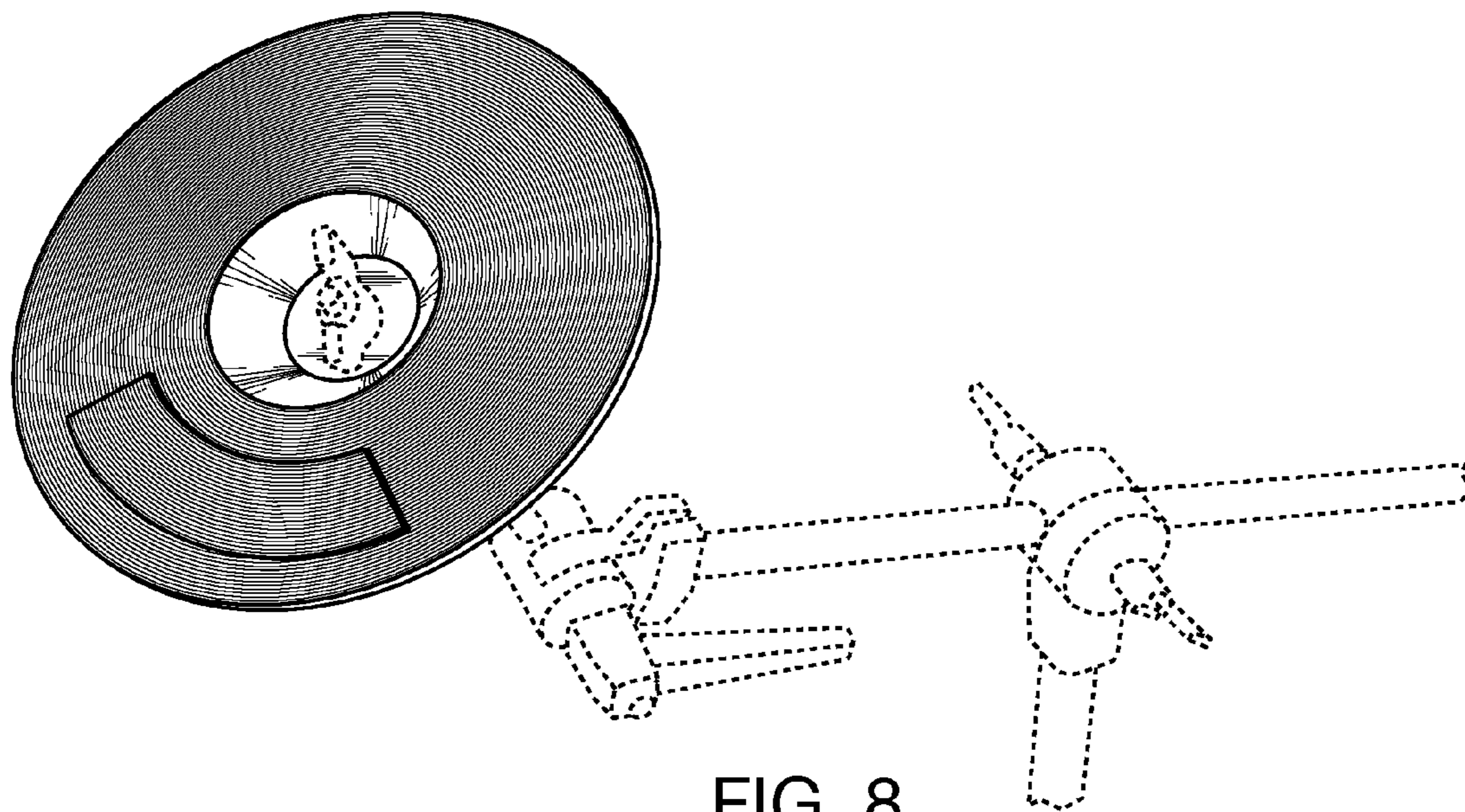


FIG. 8

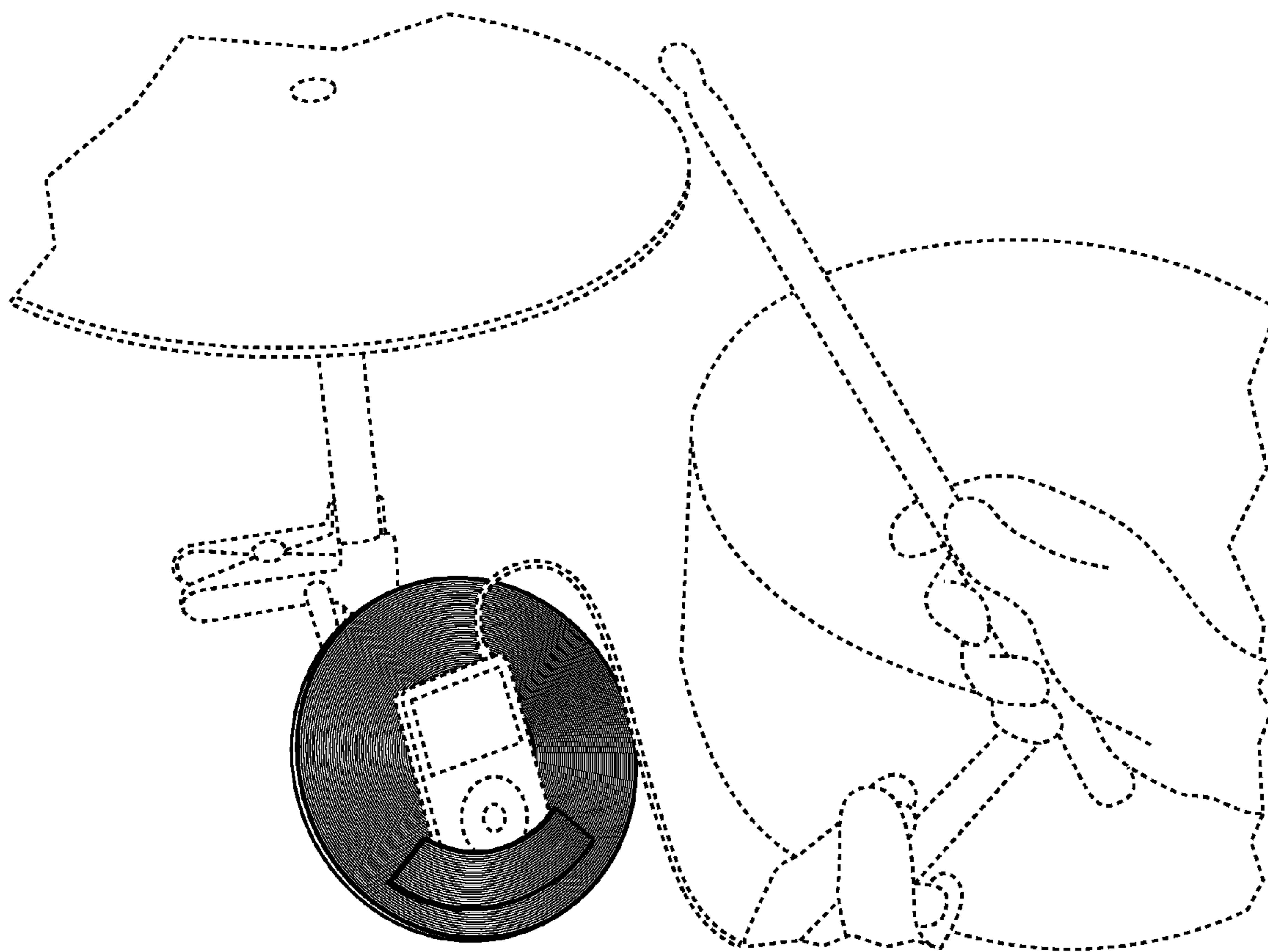


FIG. 9