



US00D619553S

(12) **United States Design Patent**  
**Katsumata**

(10) **Patent No.:** **US D619,553 S**  
(45) **Date of Patent:** **\*\* Jul. 13, 2010**

(54) **TELEVISION RECEIVER**

(75) Inventor: **Jun Katsumata**, Tokyo (JP)

(73) Assignee: **Sony Corporation**, Tokyo (JP)

(\*\*) Term: **14 Years**

(21) Appl. No.: **29/311,820**

(22) Filed: **Jul. 2, 2009**

(30) **Foreign Application Priority Data**

Jan. 5, 2009 (JP) ..... D2009-000057  
Jan. 5, 2009 (JP) ..... D2009-000058

(51) **LOC (9) Cl.** ..... **14-03**

(52) **U.S. Cl.** ..... **D14/126**

(58) **Field of Classification Search** ..... D14/125-134,  
D14/239, 371, 136, 374-377, 440, 450, 448,  
D14/336, 342; 312/7.2; 348/836, 838, 180,  
348/184, 325, 739; 341/12; 248/917-924,  
248/465; 345/104, 133, 156, 168, 87, 173;  
720/605, 669, 600, 655; 369/99, 197; 455/344-347;  
D21/329, 515, 577, 622, 333, 433, 448, 452,  
D21/450, 331; D6/477, 479, 300; 273/148 B;  
446/484, 175, 356; D10/15, 26  
See application file for complete search history.

(56) **References Cited**

**U.S. PATENT DOCUMENTS**

D494,165 S 8/2004 Yokota  
D510,919 S \* 10/2005 Kubota et al. .... D14/126  
D534,139 S 12/2006 Yokota

D535,953 S 1/2007 Fujii  
D545,787 S 7/2007 Nakamura  
D547,740 S 7/2007 Otani  
D570,805 S 6/2008 Fujii  
D580,896 S 11/2008 Niitsu  
D585,401 S 1/2009 Otani

**FOREIGN PATENT DOCUMENTS**

JP D1215197 S 8/2004

\* cited by examiner

*Primary Examiner*—Raphael Barkai

(74) *Attorney, Agent, or Firm*—Rader, Fishman & Grauer, PLLC

(57) **CLAIM**

The ornamental design for a television receiver, as shown and described.

**DESCRIPTION**

FIG. 1 is a perspective view of a television receiver showing my new design;

FIG. 2 is a front elevational view thereof;

FIG. 3 is a rear elevational view thereof;

FIG. 4 is a left side elevational view thereof;

FIG. 5 is a right side elevational view thereof;

FIG. 6 is a top plan view thereof; and,

FIG. 7 is a bottom plan view thereof.

The broken lines shown in FIGS. 1-7 are for illustrative purposes only and form no part of the claimed design.

**1 Claim, 7 Drawing Sheets**

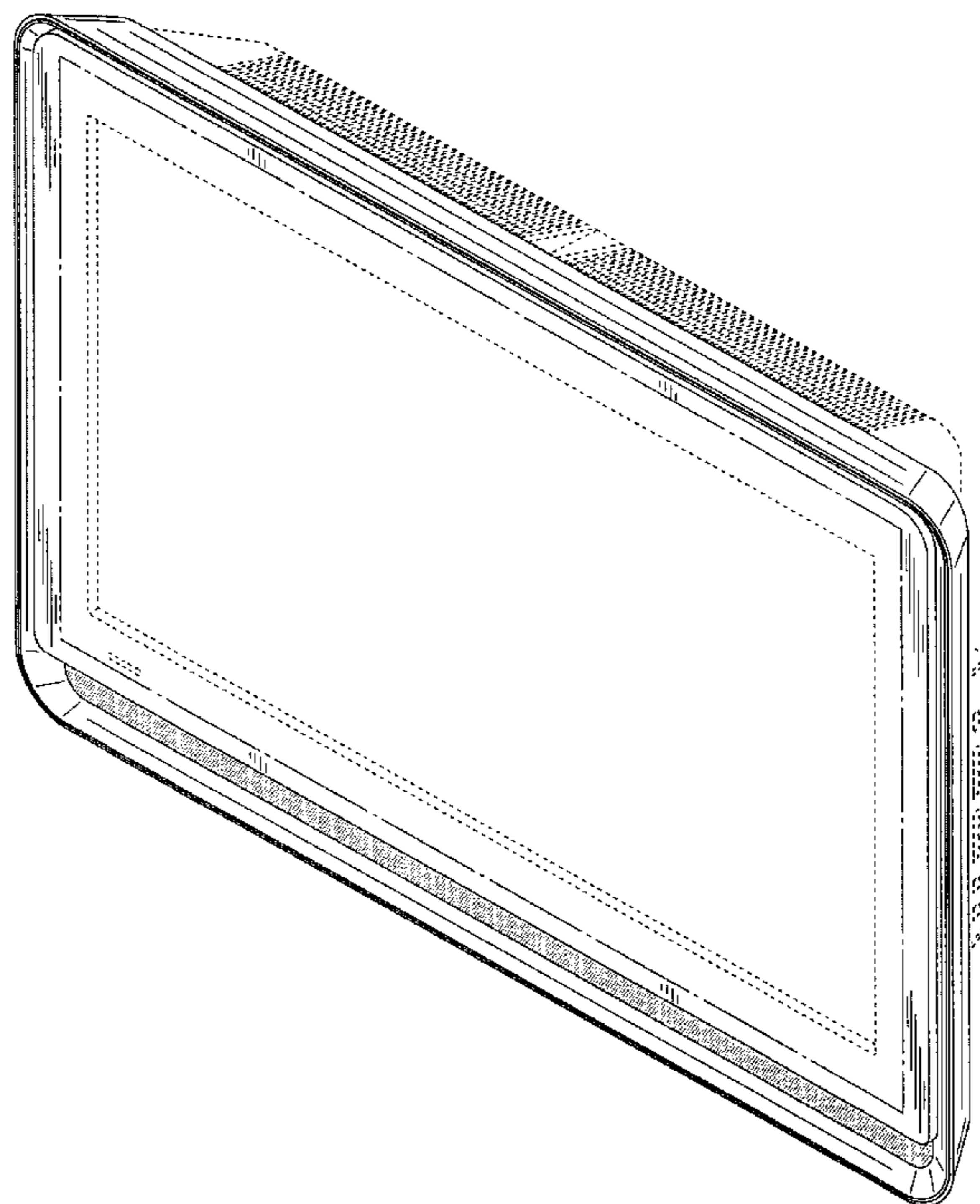


Fig.1

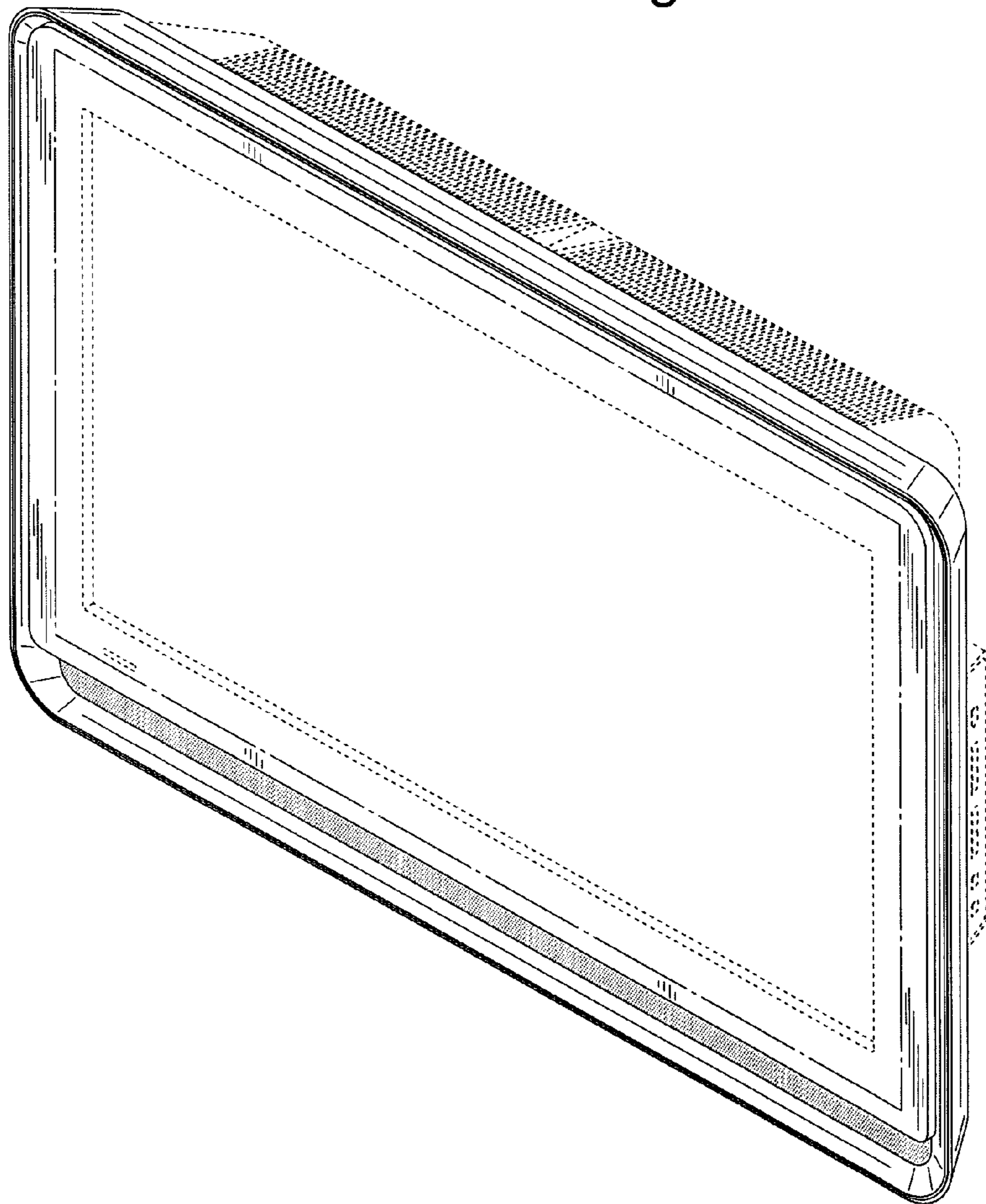


Fig.2

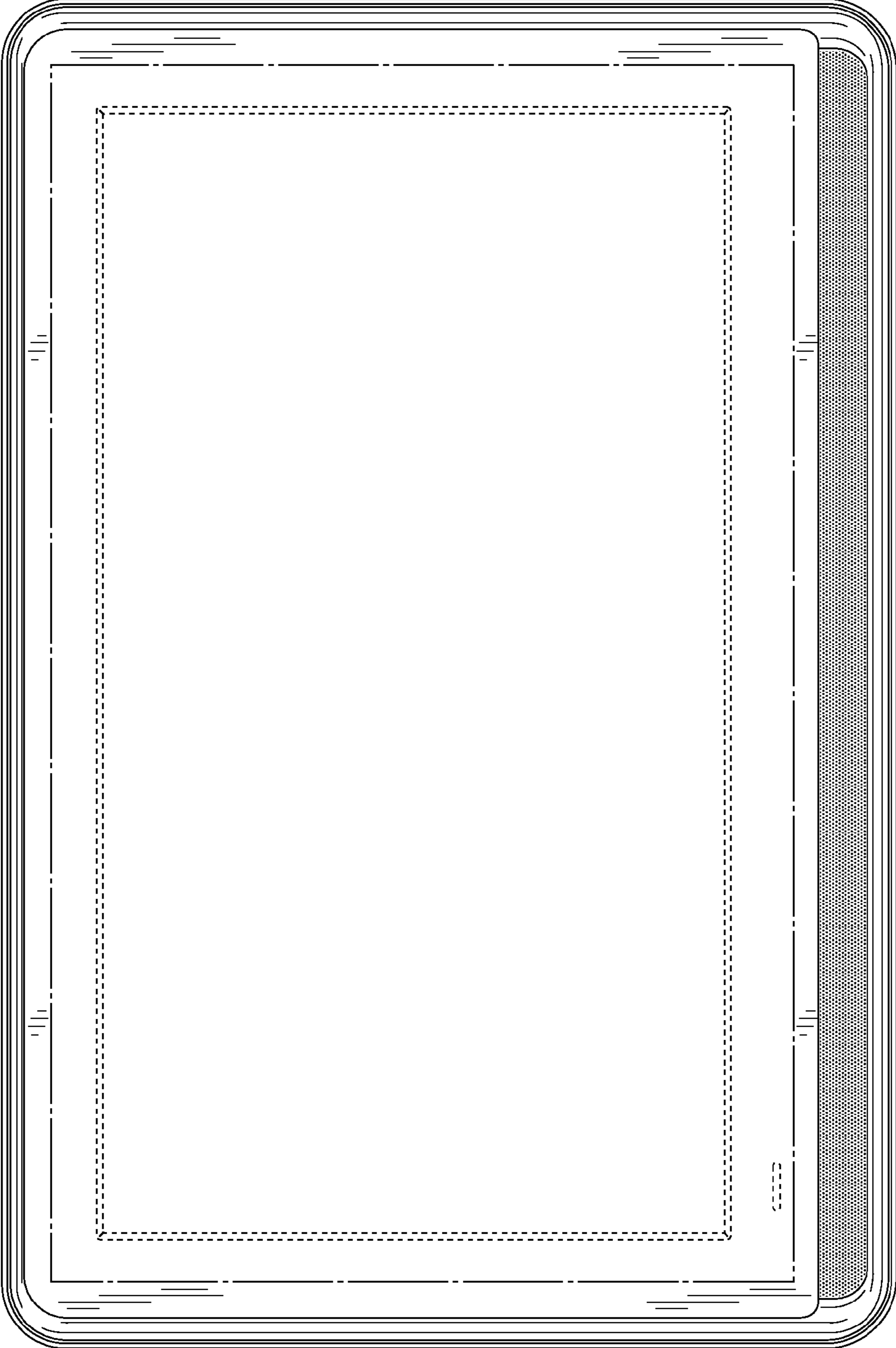
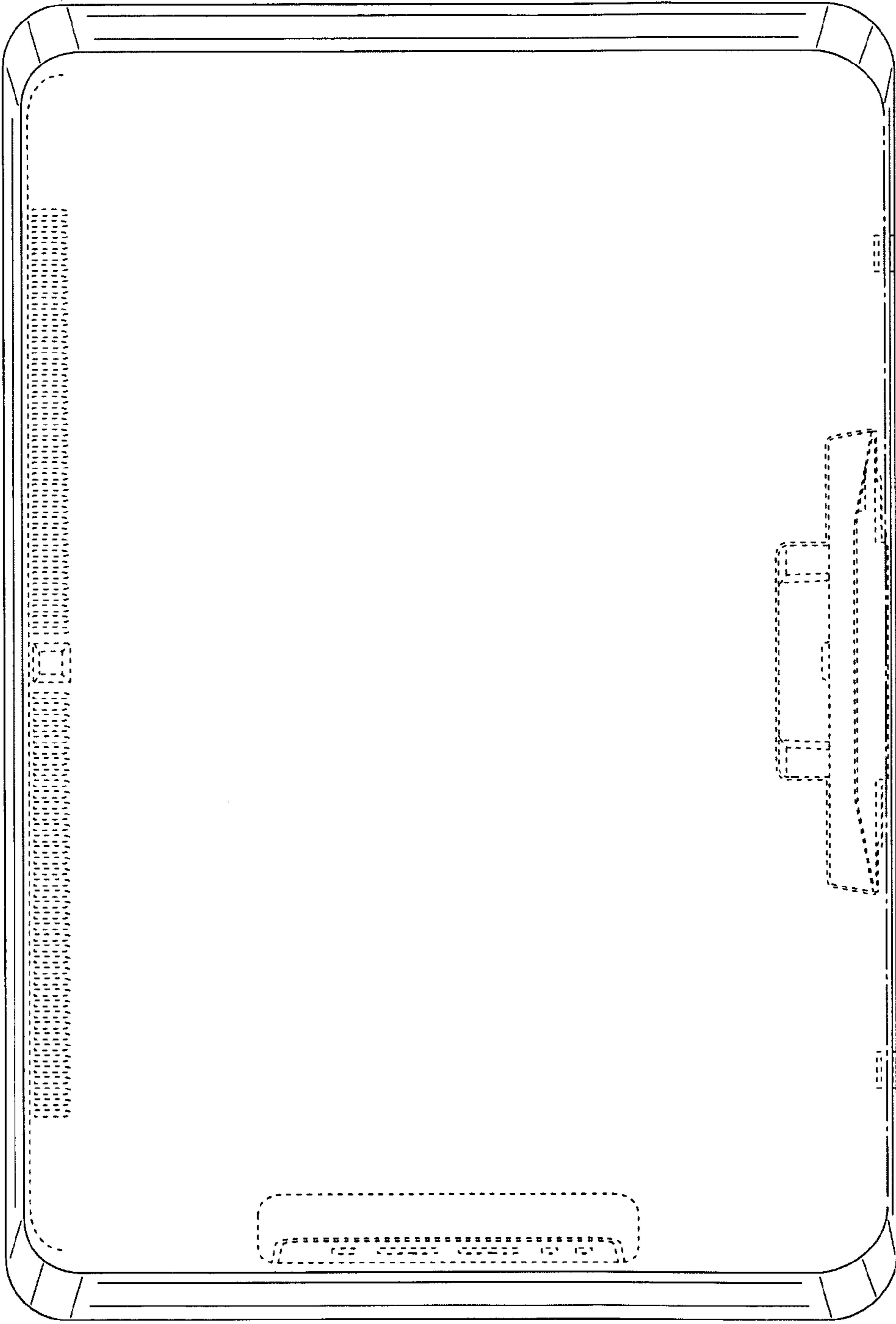


Fig.3



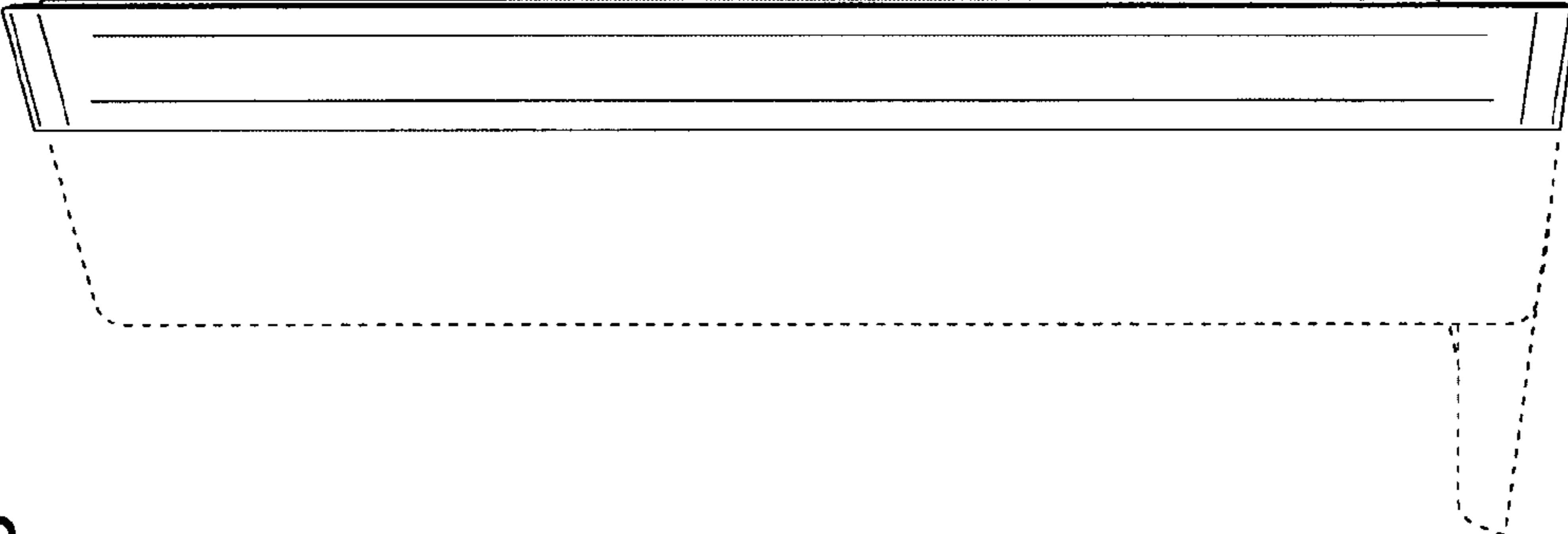


Fig.4

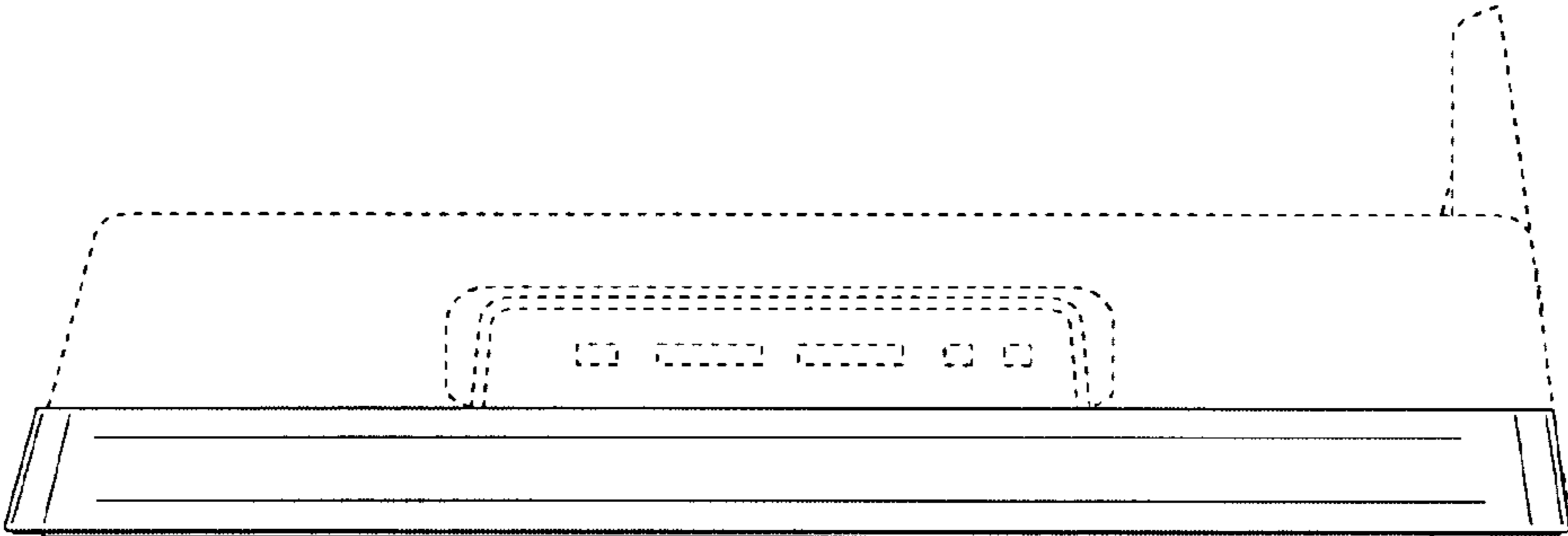


Fig.5



Fig.6

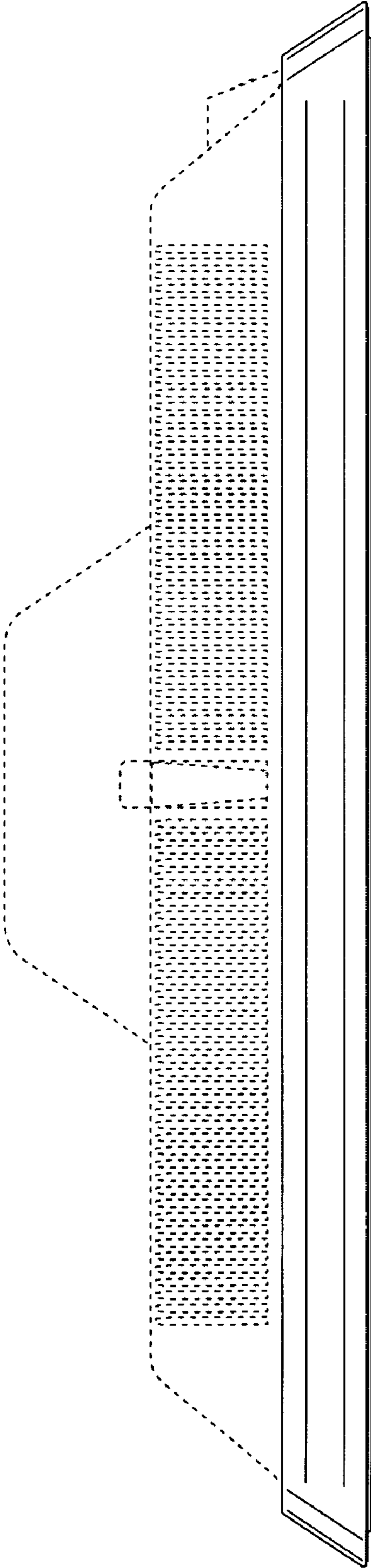


Fig. 7

