



US00D619550S

(12) **United States Design Patent**
Hwang et al.

(10) **Patent No.:** **US D619,550 S**
(45) **Date of Patent:** **** Jul. 13, 2010**

(54) **HEAT DISSIPATION DEVICE**

(75) Inventors: **Jyh-Der Hwang**, Miao-Li Hsien (TW);
Chao-Yi Yeh, Miao-Li Hsien (TW);
Shan-Ju Lin, Miao-Li Hsien (TW)

(73) Assignee: **Foxsemicon Integrated Technology, Inc.**, Chu-Nan, Miao-Li Hsien (TW)

(**) Term: **14 Years**

(21) Appl. No.: **29/346,028**

(22) Filed: **Oct. 26, 2009**

(30) **Foreign Application Priority Data**

Jul. 21, 2009 (CN) 2009 3 0309790

(51) **LOC (9) Cl.** **13-03**

(52) **U.S. Cl.** **D13/179**

(58) **Field of Classification Search** D13/179;
165/80.3, 104.33, 151, 122, 185; 257/706,
257/707, 718-722; 361/687, 695, 697, 700,
361/702, 704, 709, 710, 711, 719

See application file for complete search history.

(56) **References Cited**

U.S. PATENT DOCUMENTS

3,582,822 A * 6/1971 Karney 372/72
D306,491 S * 3/1990 Hallengren D25/124
D315,832 S * 4/1991 Rocheleau et al. D13/179
D338,449 S * 8/1993 Sahyoun D13/179
5,746,502 A * 5/1998 Huang 362/223

D500,883 S * 1/2005 Herst et al. D26/118
D520,172 S * 5/2006 Engel D26/76
D538,053 S * 3/2007 Fischer D6/328
7,244,058 B2 * 7/2007 DiPenti et al. 362/547
7,422,347 B2 * 9/2008 Miyairi et al. 362/335
7,438,441 B2 * 10/2008 Sun et al. 362/294
7,535,030 B2 * 5/2009 Lin 257/99
D595,443 S * 6/2009 Tran et al. D26/76
D606,501 S * 12/2009 Plonski et al. D13/179
2005/0243576 A1 * 11/2005 Park et al. 362/612
2006/0146531 A1 * 7/2006 Reo et al. 362/244
2009/0002978 A1 * 1/2009 Tran et al. 362/223

* cited by examiner

Primary Examiner—Selina Sikder

(74) *Attorney, Agent, or Firm*—Raymond J. Chew

(57) **CLAIM**

The ornamental design for a heat dissipation device, as shown.

DESCRIPTION

FIG. 1 is a perspective view of a heat dissipation device showing our new design.

FIG. 2 is a front elevational view thereof.

FIG. 3 is a rear elevational view thereof.

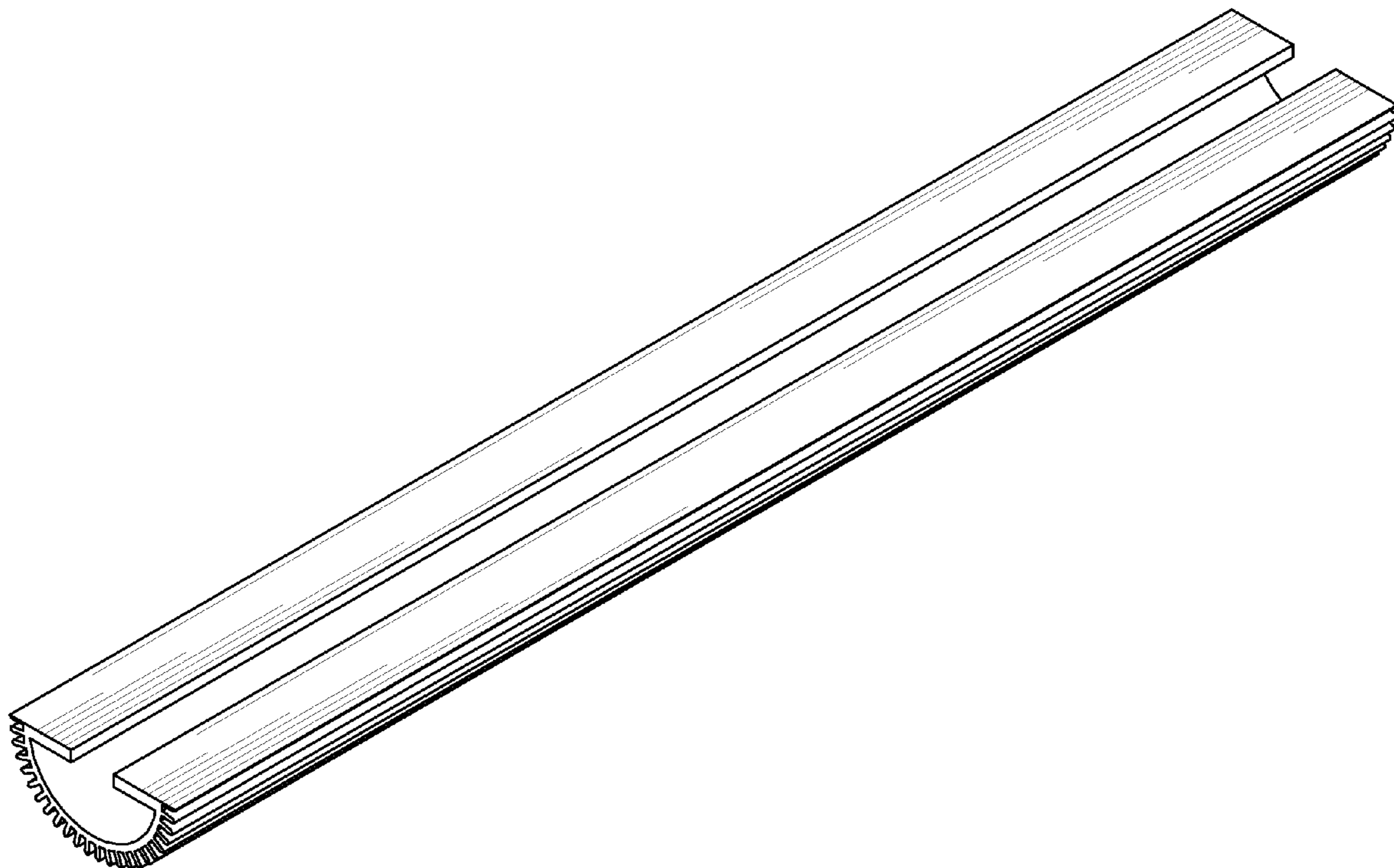
FIG. 4 is a left-side, elevational view thereof.

FIG. 5 is a right-side, elevational view thereof.

FIG. 6 is a top plan view thereof; and,

FIG. 7 is a bottom plan view thereof.

1 Claim, 7 Drawing Sheets



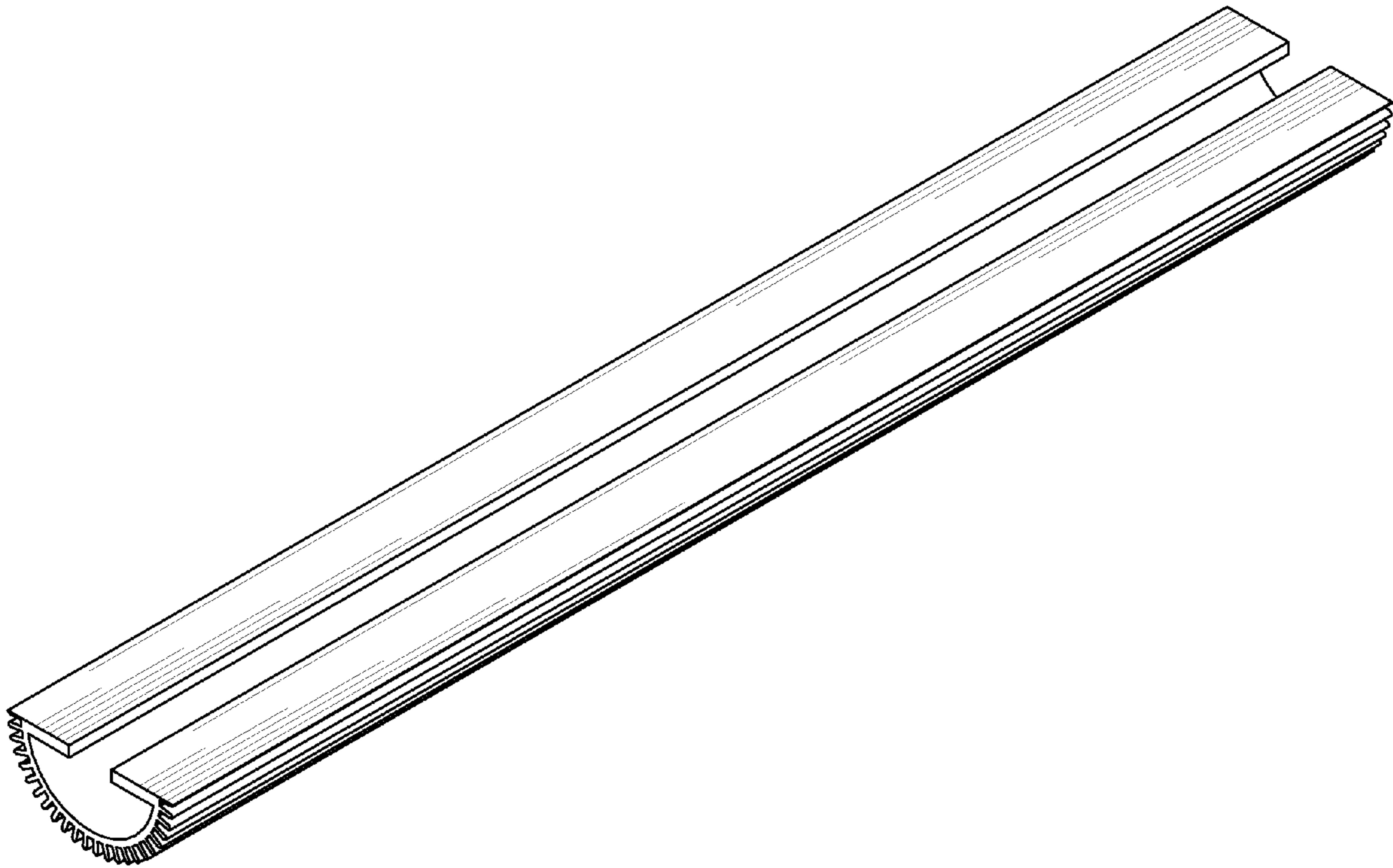


FIG. 1

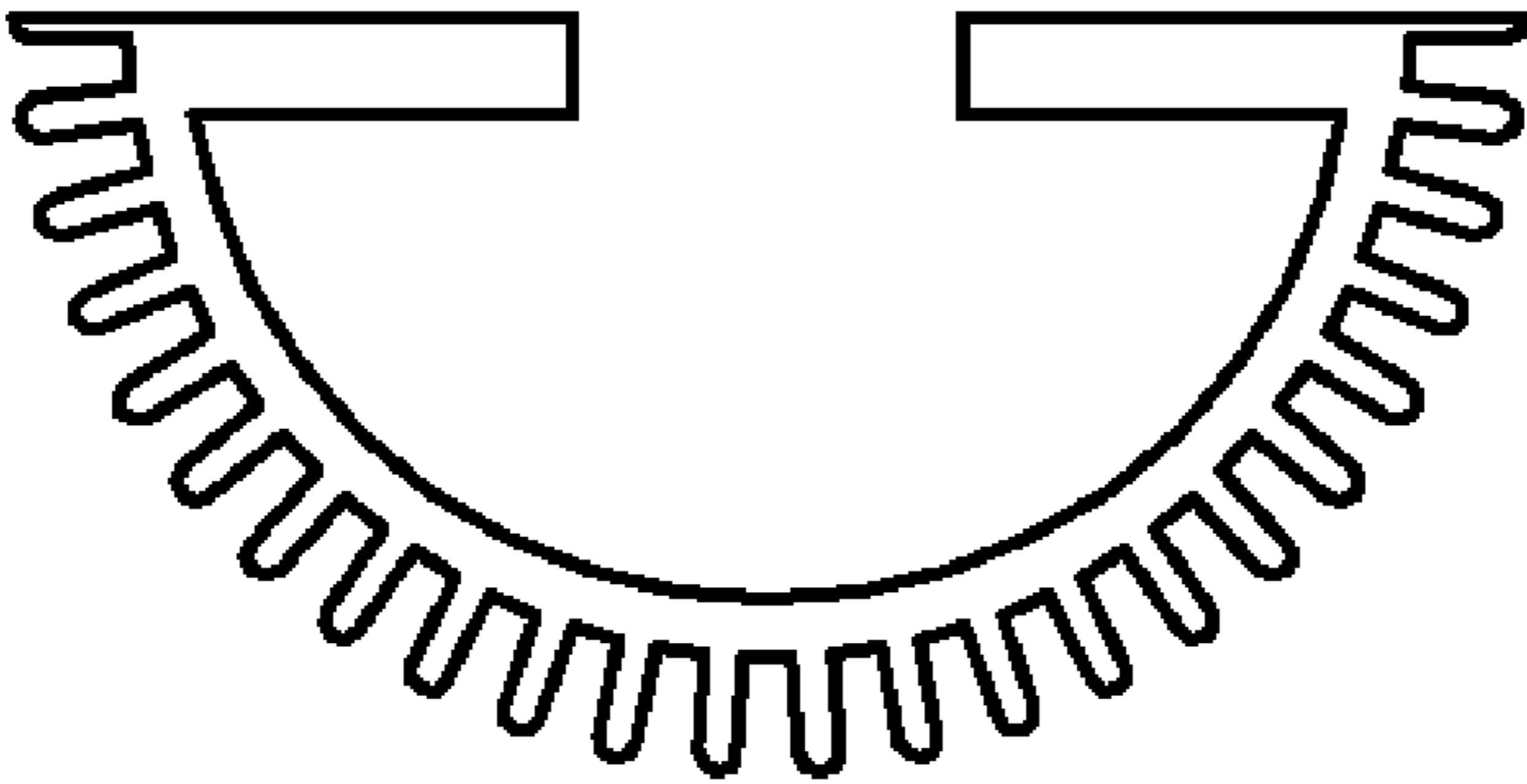


FIG. 2

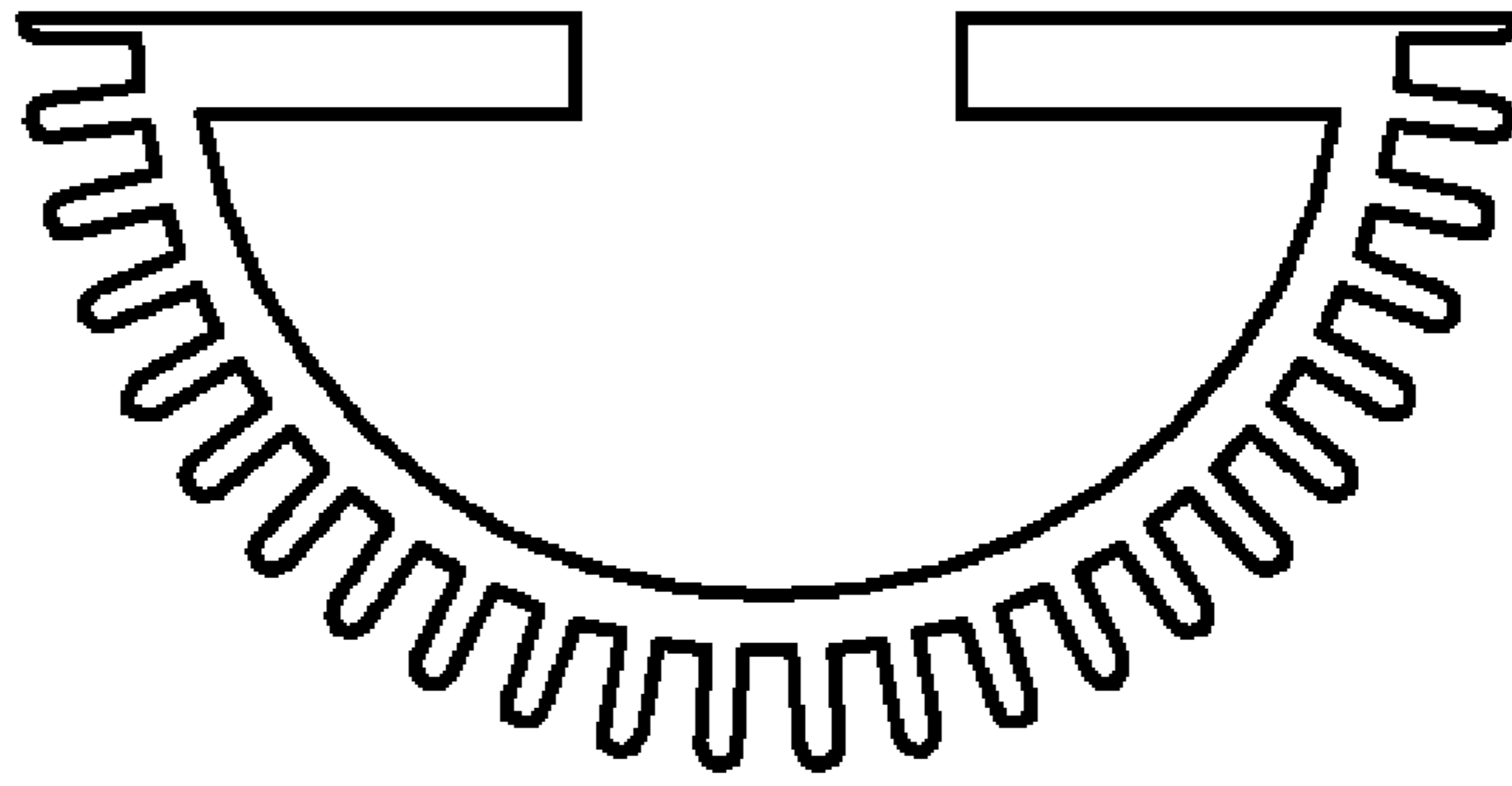


FIG. 3

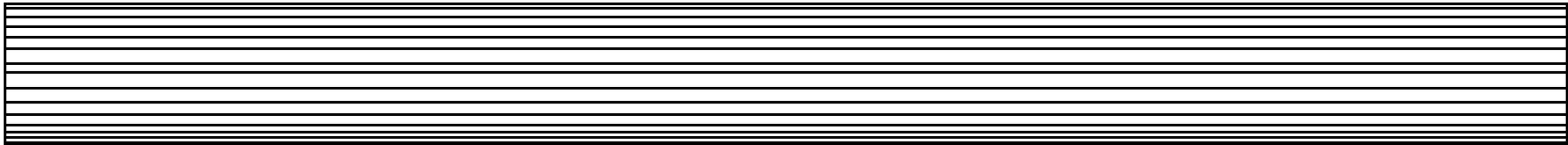


FIG. 4

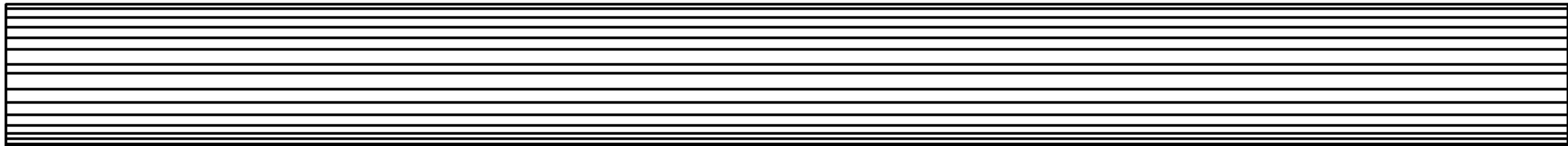


FIG. 5

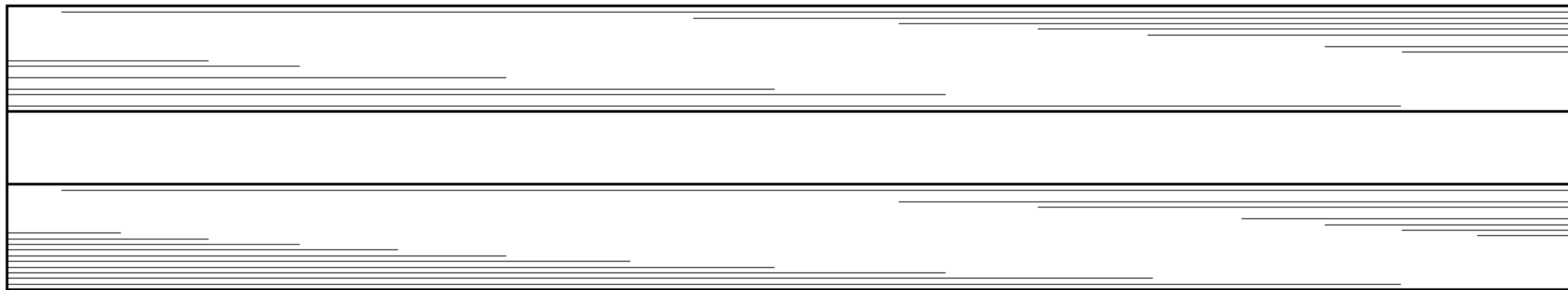


FIG. 6

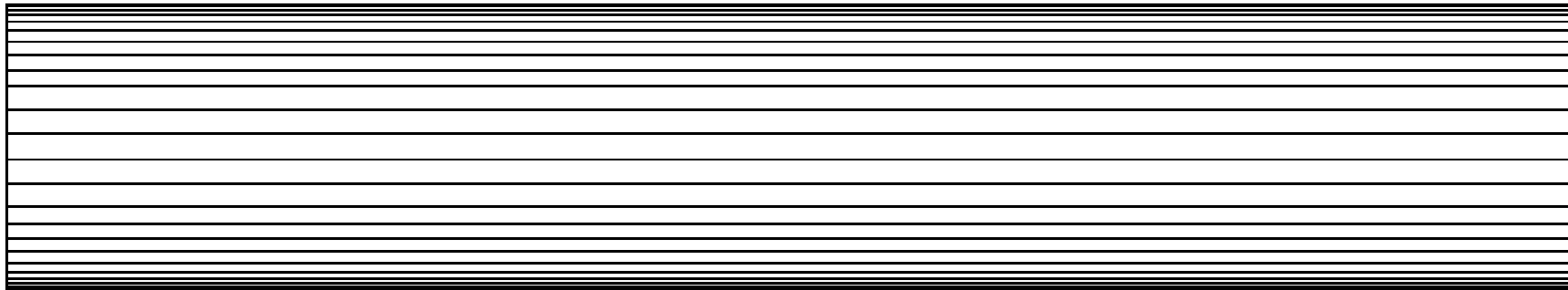


FIG. 7