



US00D619548S

(12) **United States Design Patent**  
**Liu**

(10) **Patent No.:** **US D619,548 S**  
(45) **Date of Patent:** **\*\* Jul. 13, 2010**

(54) **HEAT DISSIPATION DEVICE**

(75) Inventor: **Yu-Pin Liu, Miao-Li Hsien (TW)**

(73) Assignee: **Foxsemicon Intergrated Technology, Inc., Chu-Nan, Miao-Li Hsien (TW)**

(\*\*) Term: **14 Years**

(21) Appl. No.: **29/346,019**

(22) Filed: **Oct. 26, 2009**

(30) **Foreign Application Priority Data**

Jul. 21, 2009 (CN) ..... 2009 3 0309770

(51) **LOC (9) Cl.** ..... **13-03**

(52) **U.S. Cl.** ..... **D13/179**

(58) **Field of Classification Search** ..... D13/179;  
165/80.3, 104.33, 151, 122, 185; 257/706,  
257/707, 718-722; 361/687, 695, 697, 700,  
361/702, 704, 709, 710, 711, 719

See application file for complete search history.

(56) **References Cited**

**U.S. PATENT DOCUMENTS**

D194,787 S \* 3/1963 Chadwick ..... D13/179  
3,239,003 A \* 3/1966 Boudette et al. .... 165/185  
5,661,638 A \* 8/1997 Mira ..... 361/697

5,794,685 A \* 8/1998 Dean ..... 165/121  
6,479,895 B1 \* 11/2002 Lee et al. .... 257/720  
6,525,939 B2 \* 2/2003 Liang et al. .... 361/697  
6,657,862 B2 \* 12/2003 Crocker et al. .... 361/697  
6,712,128 B1 \* 3/2004 Dussinger et al. .... 165/80.3  
7,193,849 B2 \* 3/2007 Xu et al. .... 361/695  
D576,964 S \* 9/2008 Shaner ..... D13/179  
D608,876 S \* 1/2010 Huang et al. .... D23/323

\* cited by examiner

*Primary Examiner*—Selina Sikder

(74) *Attorney, Agent, or Firm*—Raymond J. Chew

(57) **CLAIM**

The ornamental design for a heat dissipation device, as shown.

**DESCRIPTION**

FIG. 1 is a perspective view of a heat dissipation device showing my new design.

FIG. 2 is a front elevational view thereof.

FIG. 3 is a rear elevational view thereof.

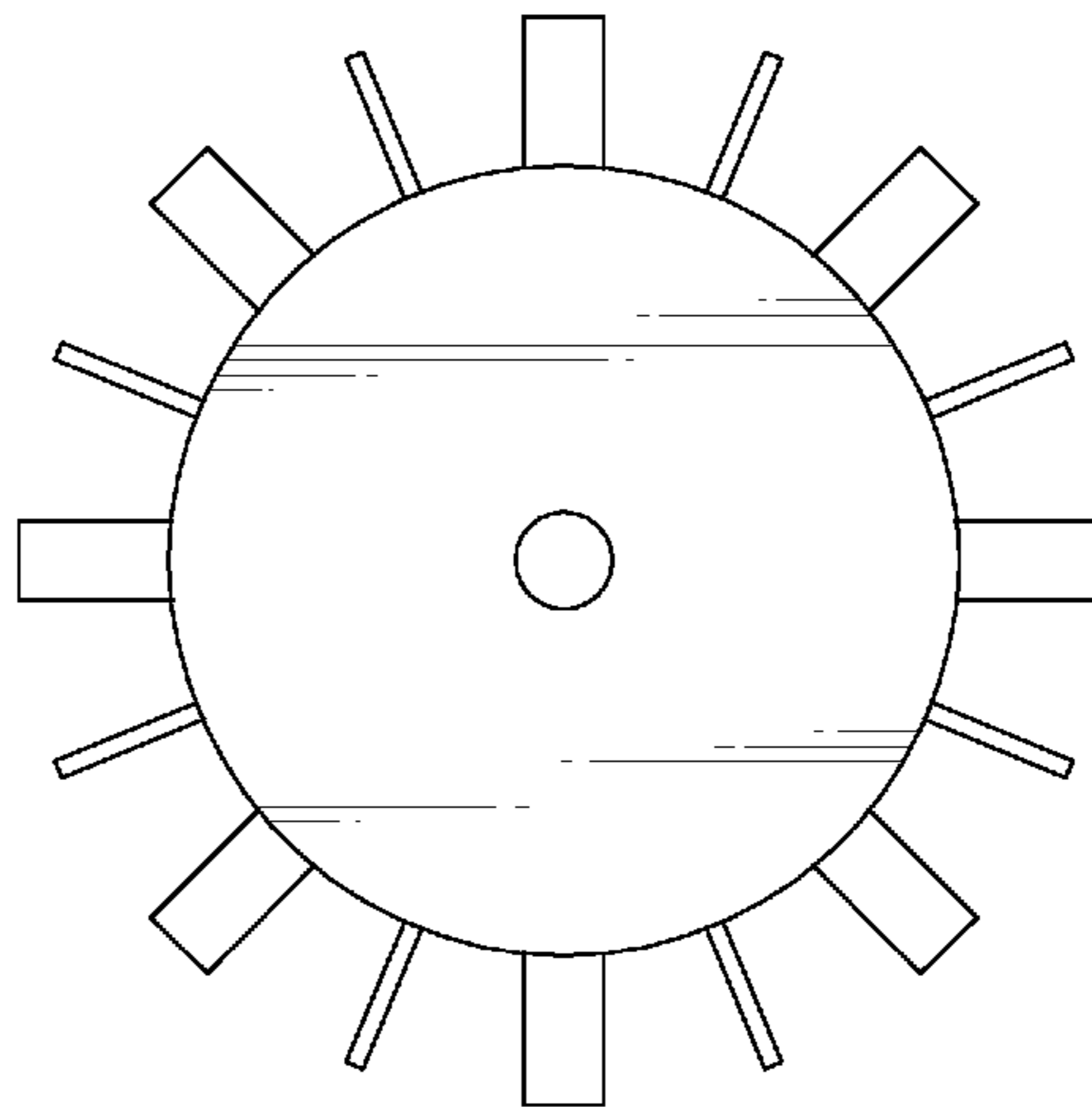
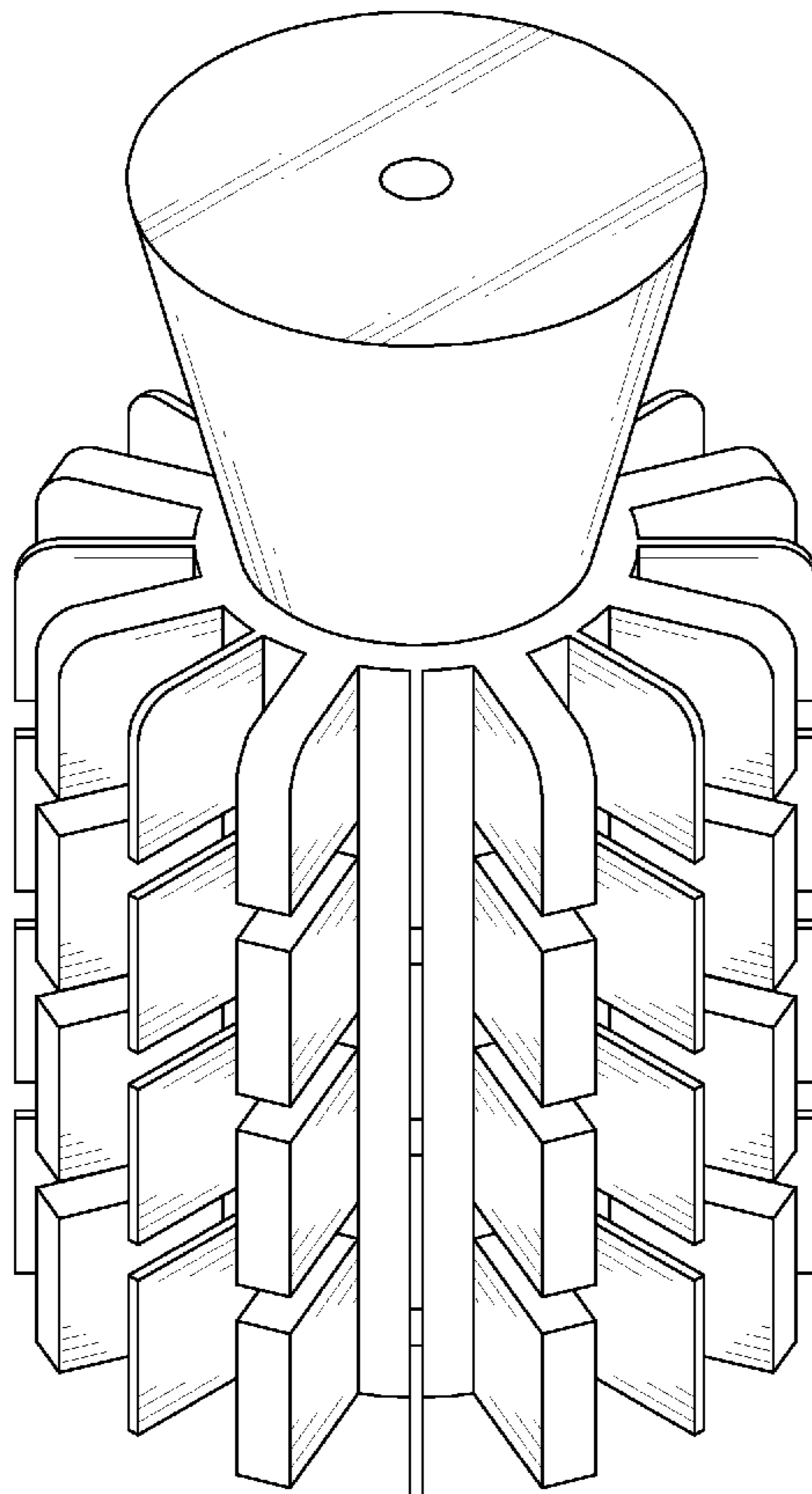
FIG. 4 is a left-side, elevational view thereof.

FIG. 5 is a right-side, elevational view thereof.

FIG. 6 is a top plan view thereof; and,

FIG. 7 is a bottom plan view thereof.

**1 Claim, 7 Drawing Sheets**



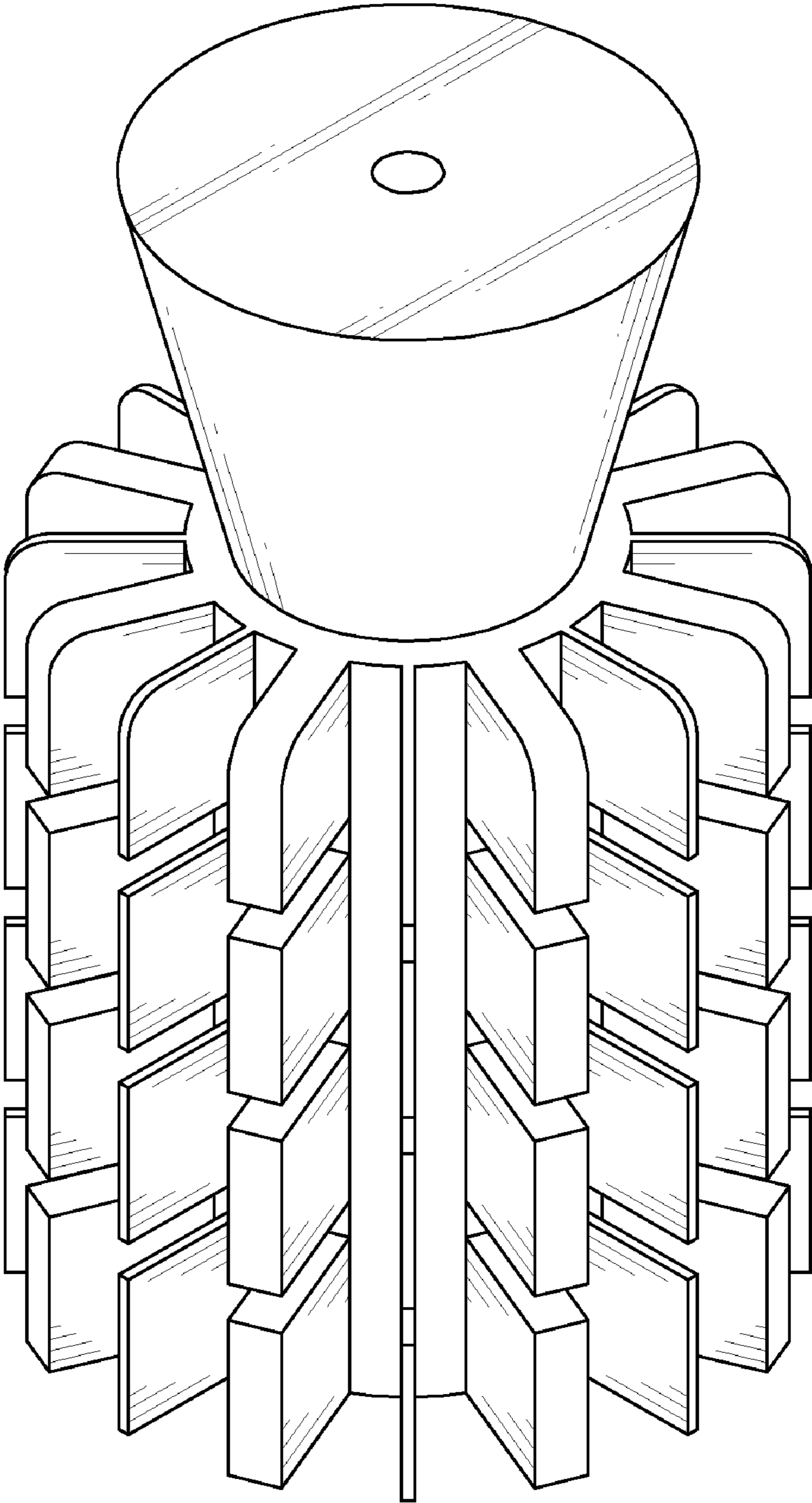


FIG. 1

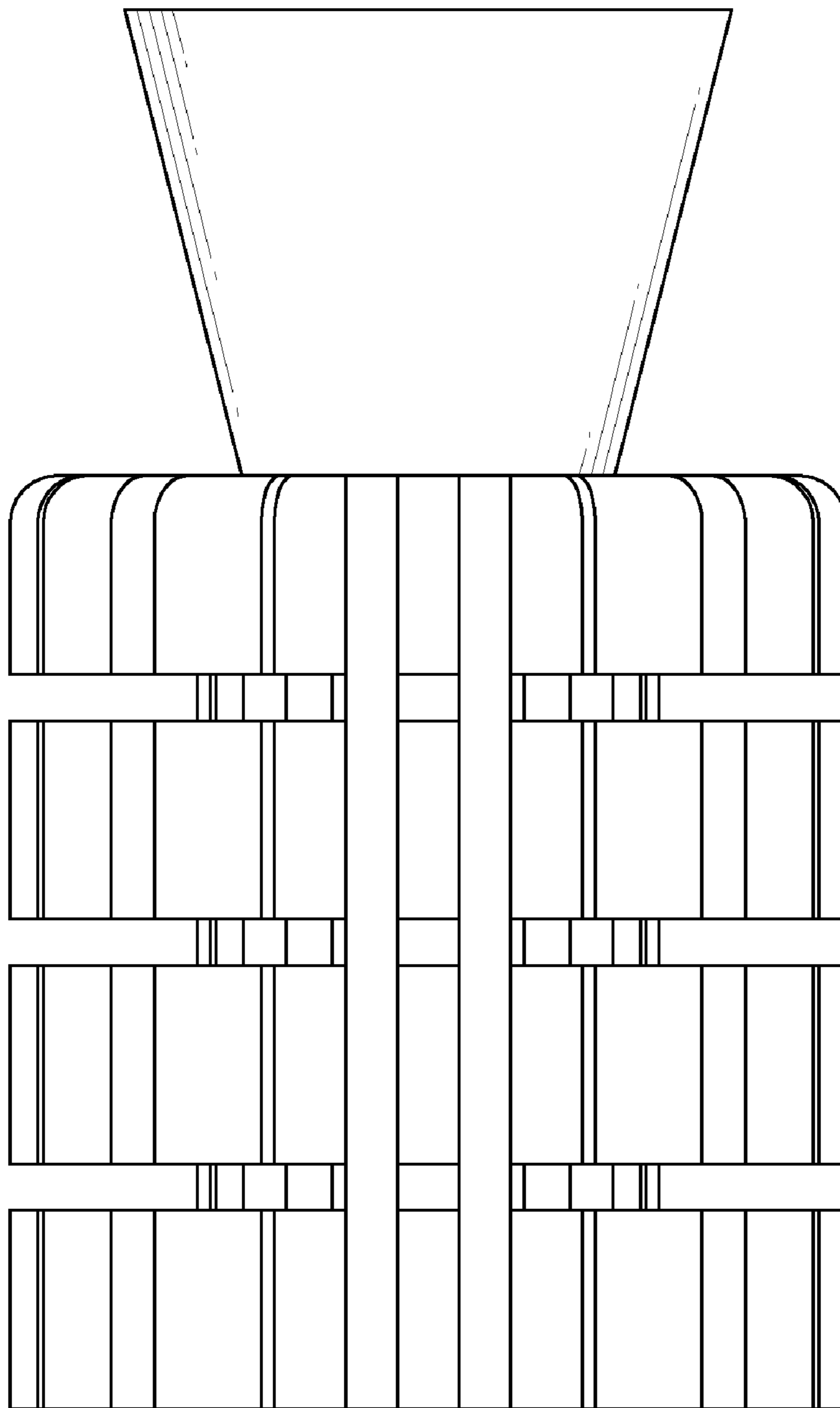


FIG. 2

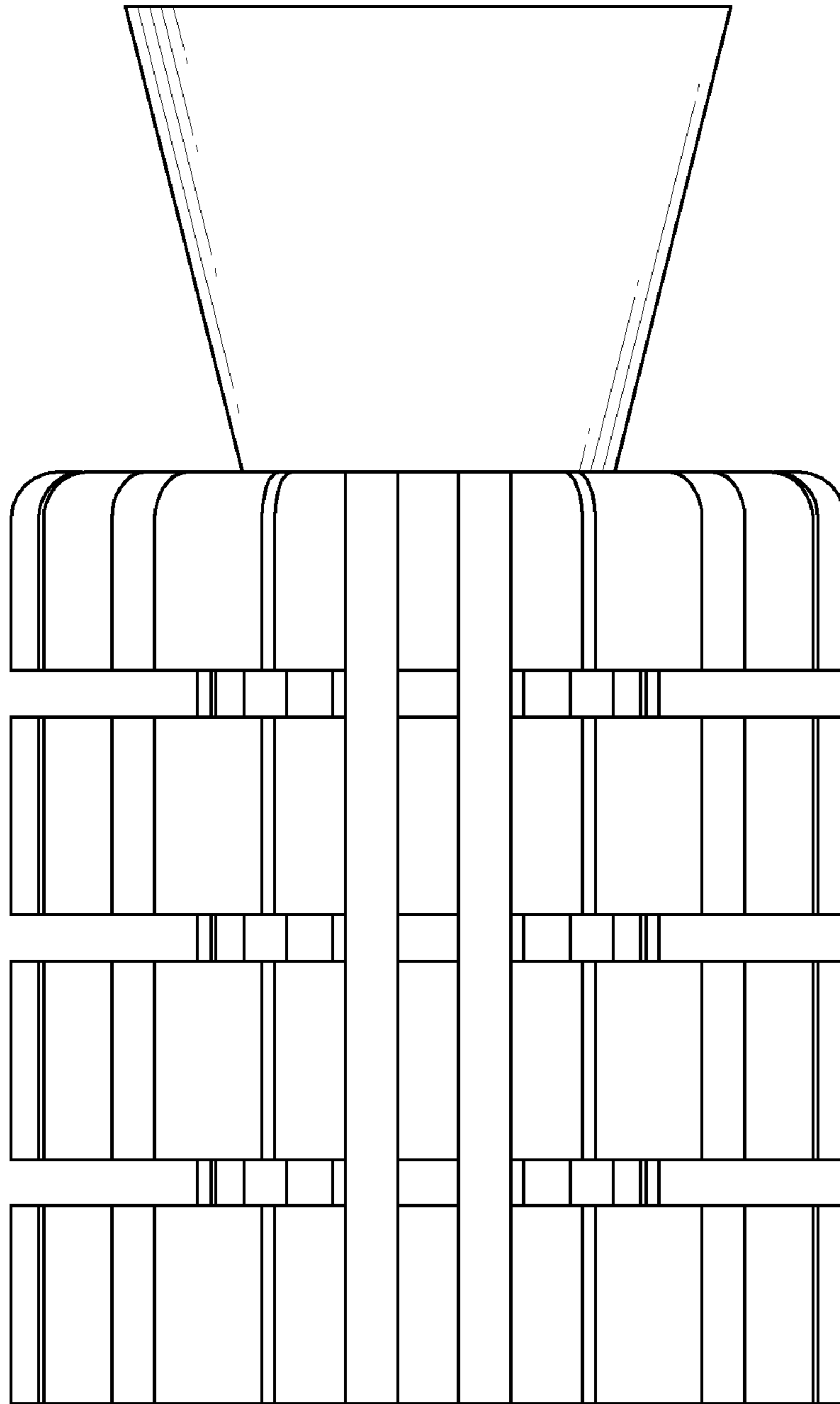


FIG. 3

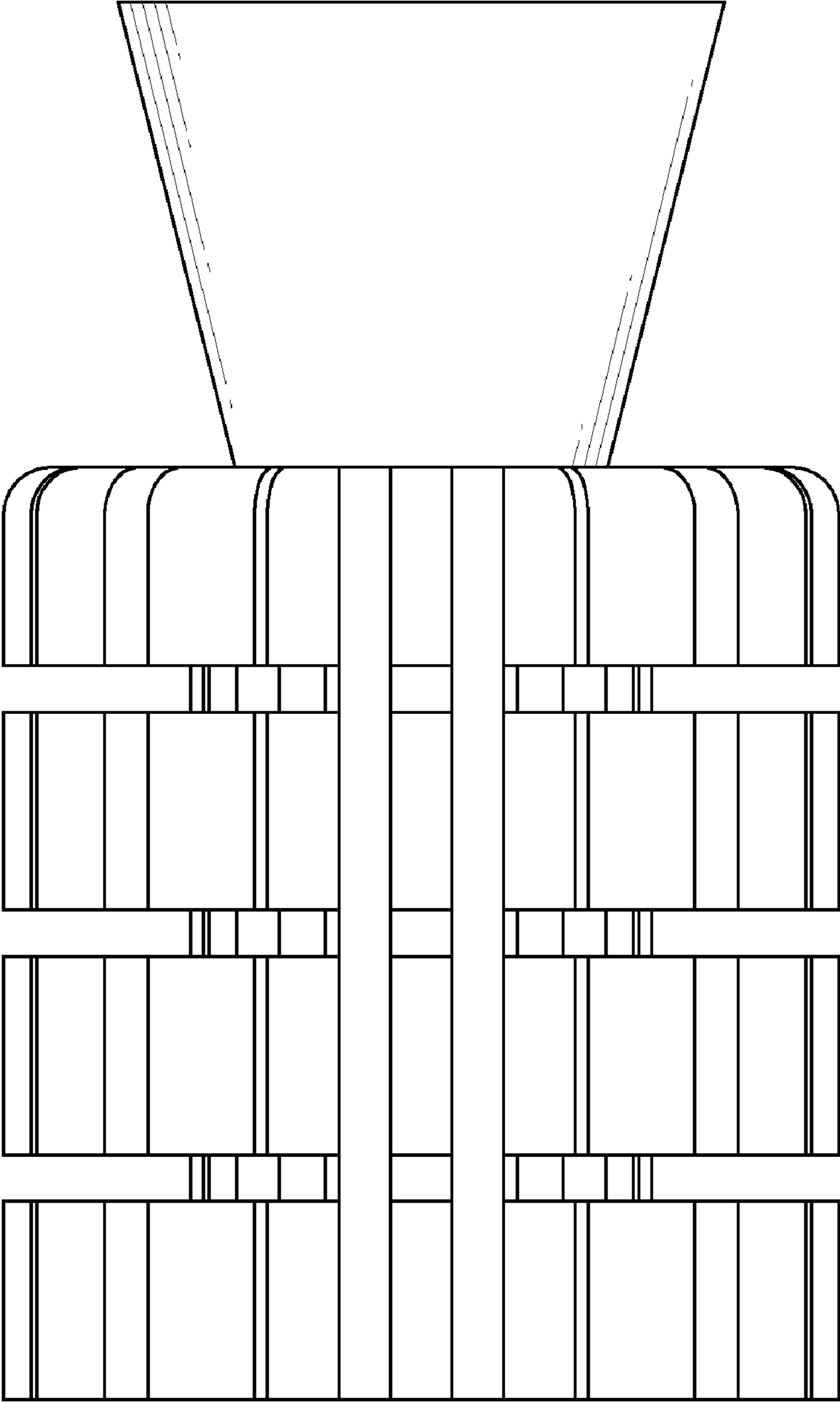


FIG. 4

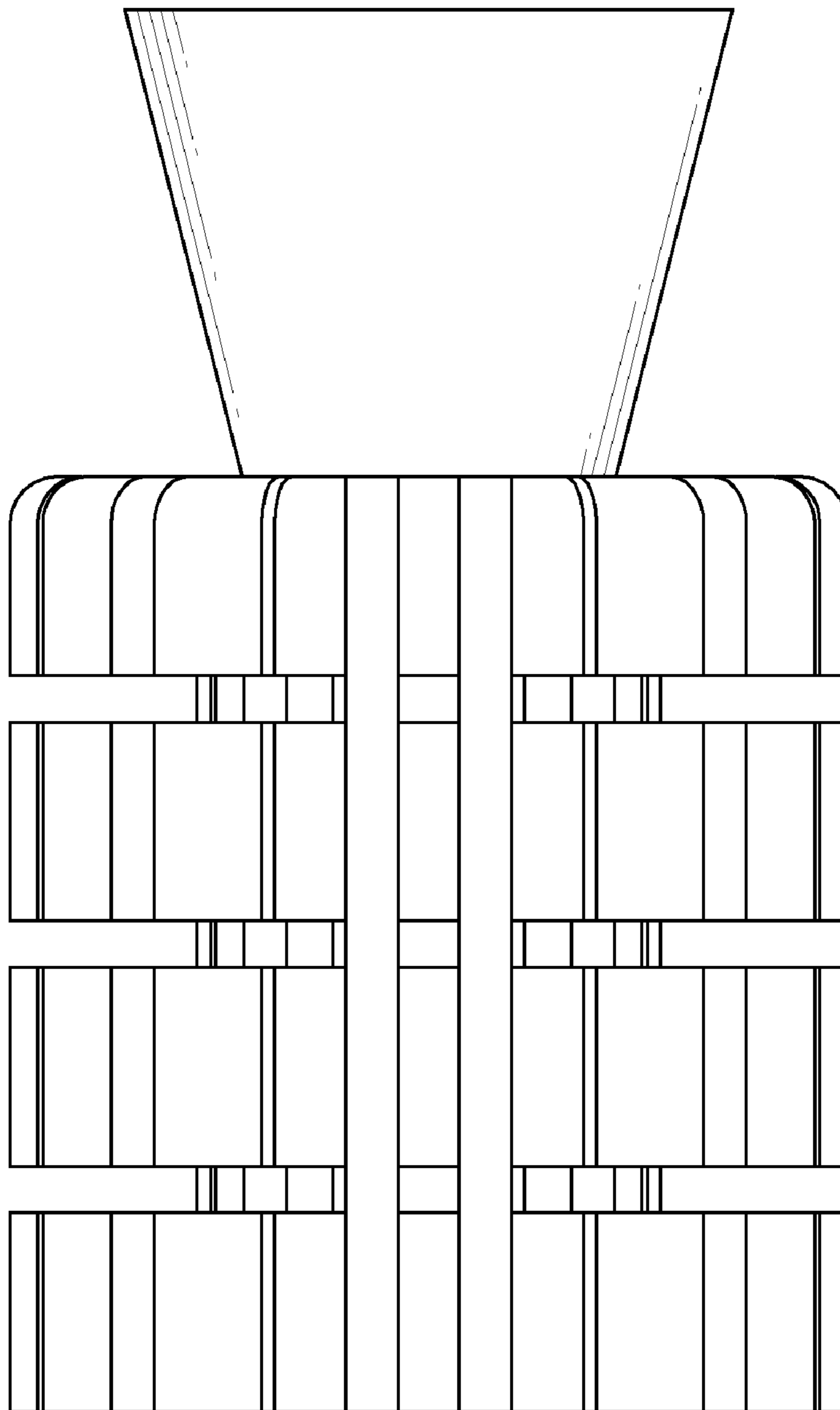


FIG. 5

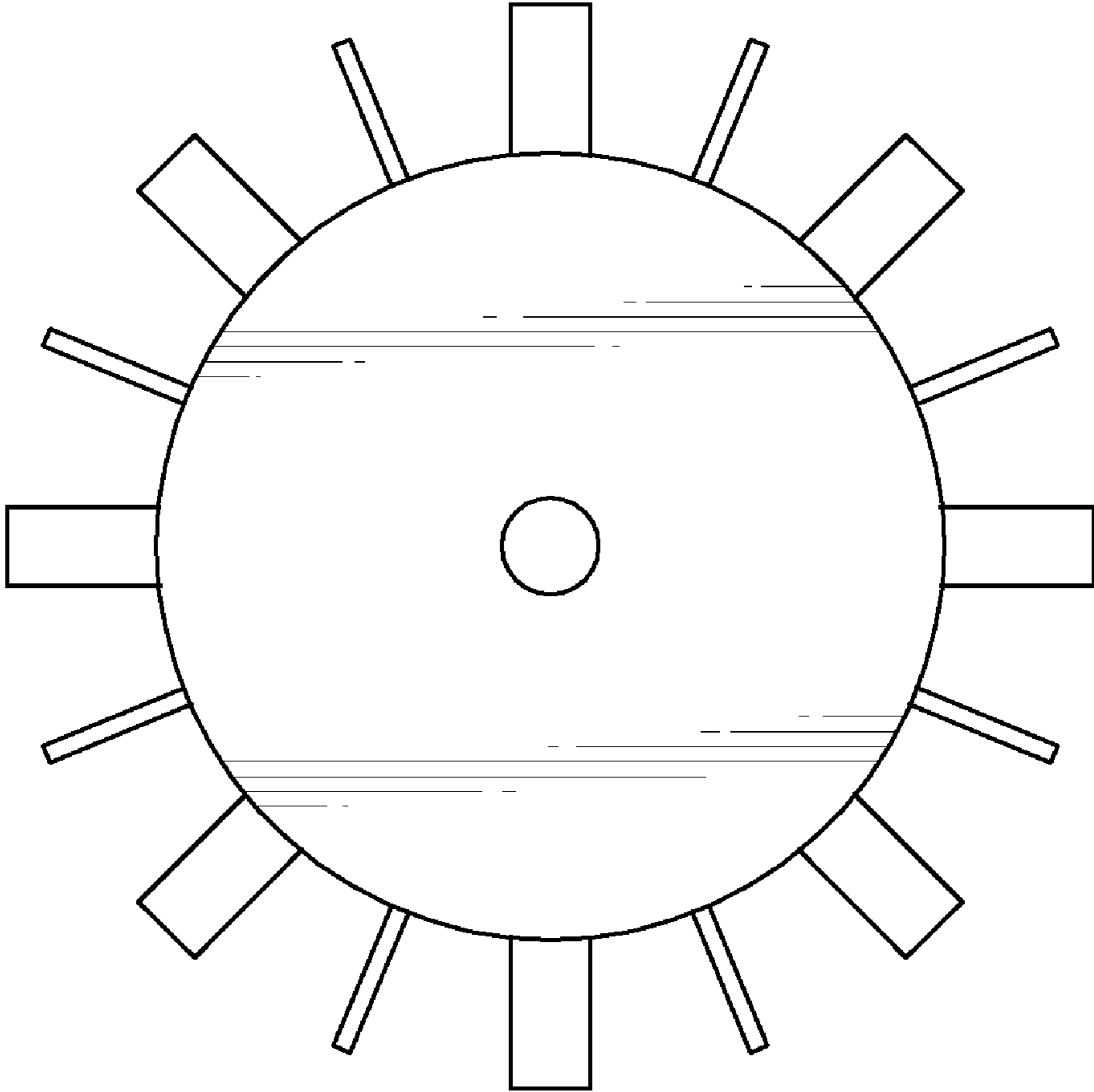


FIG. 6

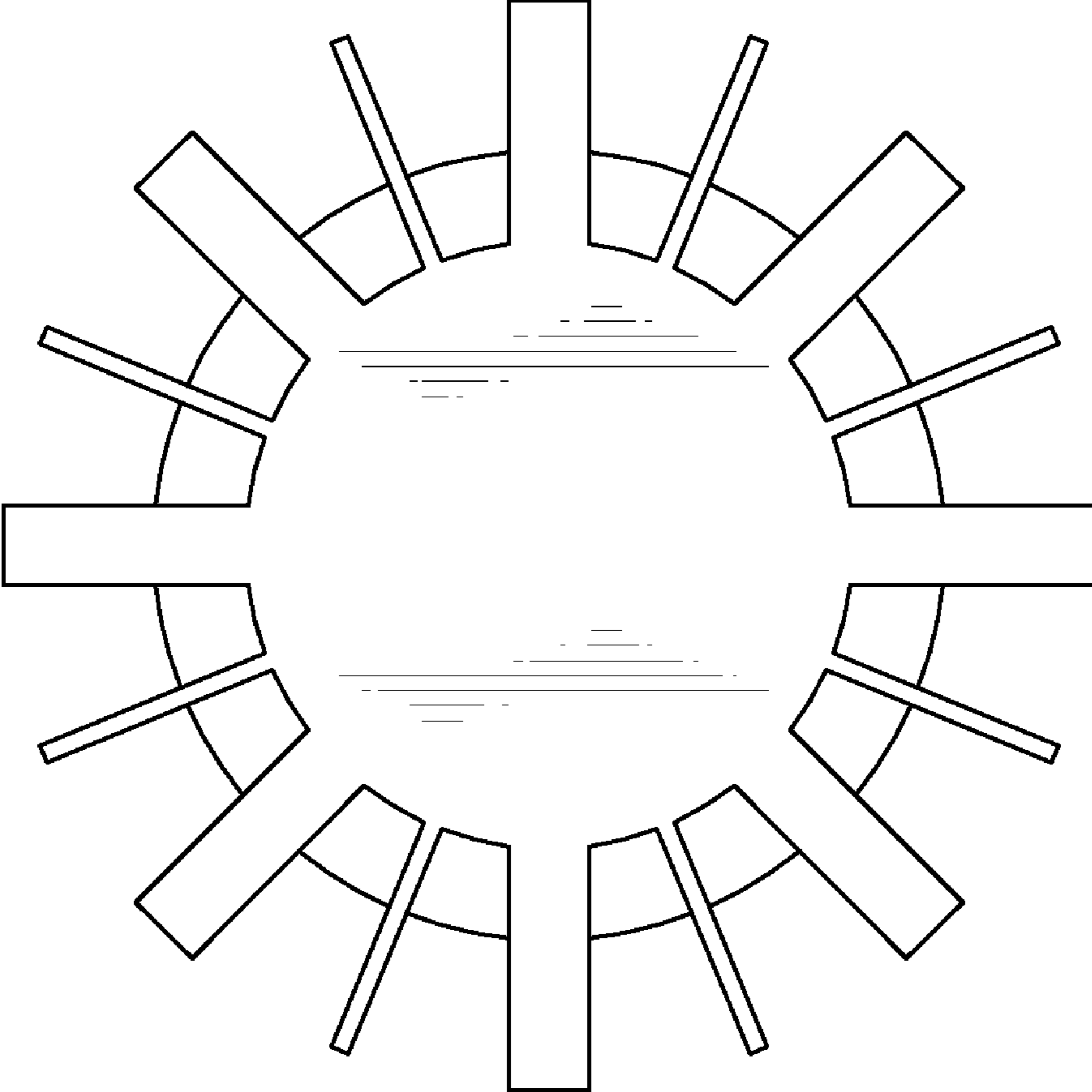


FIG. 7