



US00D619543S

(12) **United States Design Patent**  
**Nakai**

(10) **Patent No.:** **US D619,543 S**  
(45) **Date of Patent:** **\*\* Jul. 13, 2010**

(54) **REMOTE CONTROLLER FOR AIR-CONDITIONER**

D573,548 S \* 7/2008 Chouji et al. .... D13/168  
D611,432 S \* 3/2010 Ducret ..... D13/168

(75) Inventor: **So Nakai**, Chiyoda-Ku (JP)

\* cited by examiner

(73) Assignee: **Mitsubishi Electric Corporation**, Tokyo (JP)

*Primary Examiner*—Selina Sikder  
(74) *Attorney, Agent, or Firm*—Sughrue Mion, PLLC

(\*\*) Term: **14 Years**

(57) **CLAIM**

(21) Appl. No.: **29/346,527**

The ornamental design for a remote controller for air-conditioner, as shown and described.

(22) Filed: **Nov. 2, 2009**

**DESCRIPTION**

(30) **Foreign Application Priority Data**

Jul. 10, 2009 (JP) ..... 2009-015812

FIG. 1 is a front, top and right side perspective view of a remote controller for air-conditioner, showing my new design;

(51) **LOC (9) Cl.** ..... **14-03**

(52) **U.S. Cl.** ..... **D13/168**

(58) **Field of Classification Search** ..... D13/168;  
D10/49, 104, 106; D14/218, 247; 340/825.22,  
340/825.24, 825.25, 825.31, 825.36, 825.69,  
340/825.72; 341/176; 455/352; 345/156  
See application file for complete search history.

FIG. 2 is a front elevational view thereof;

FIG. 3 is a rear elevational view thereof;

FIG. 4 is a top plan view thereof;

FIG. 5 is a bottom plan view thereof;

FIG. 6 is a left side elevational view thereof;

FIG. 7 is a right side elevational view thereof;

FIG. 8 is an enlarged cross-sectional view thereof; taken along line 8—8 of FIG. 4, with the internal system omitted; and,

FIG. 9 is a front elevational view with the cover opened.

(56) **References Cited**

**U.S. PATENT DOCUMENTS**

4,855,746 A \* 8/1989 Stacy ..... 341/176  
D451,891 S \* 12/2001 Noonan et al. .... D13/168  
D531,137 S \* 10/2006 Wu ..... D13/168  
D561,702 S \* 2/2008 Ohta et al. .... D13/168

**1 Claim, 3 Drawing Sheets**

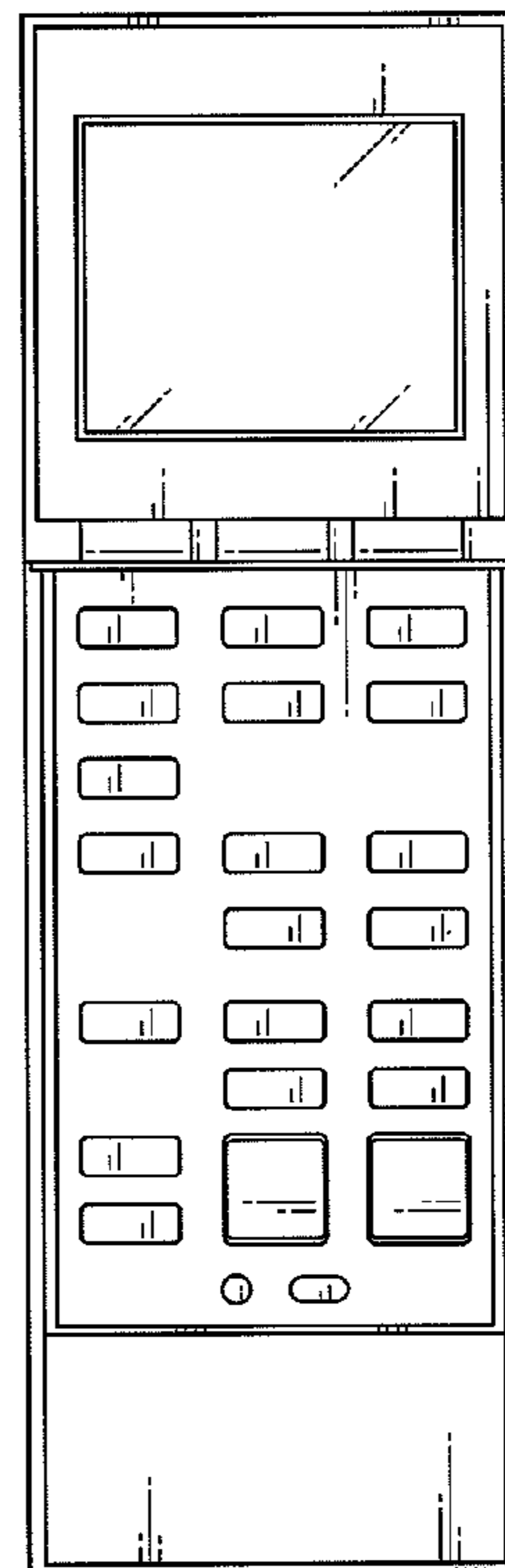
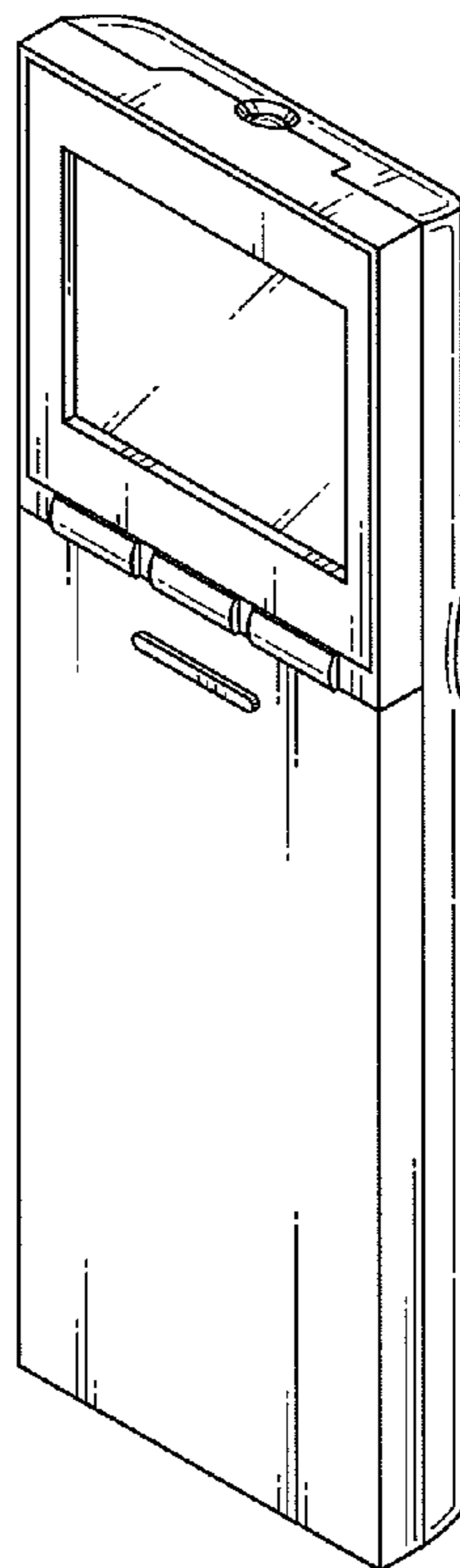


FIG.1

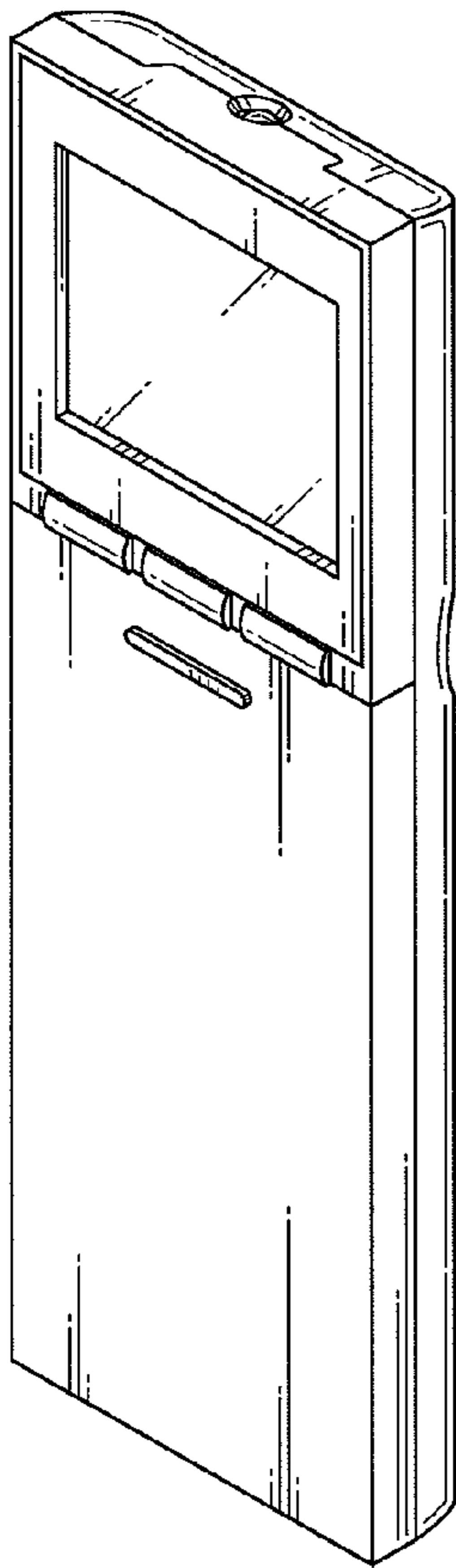


FIG.2

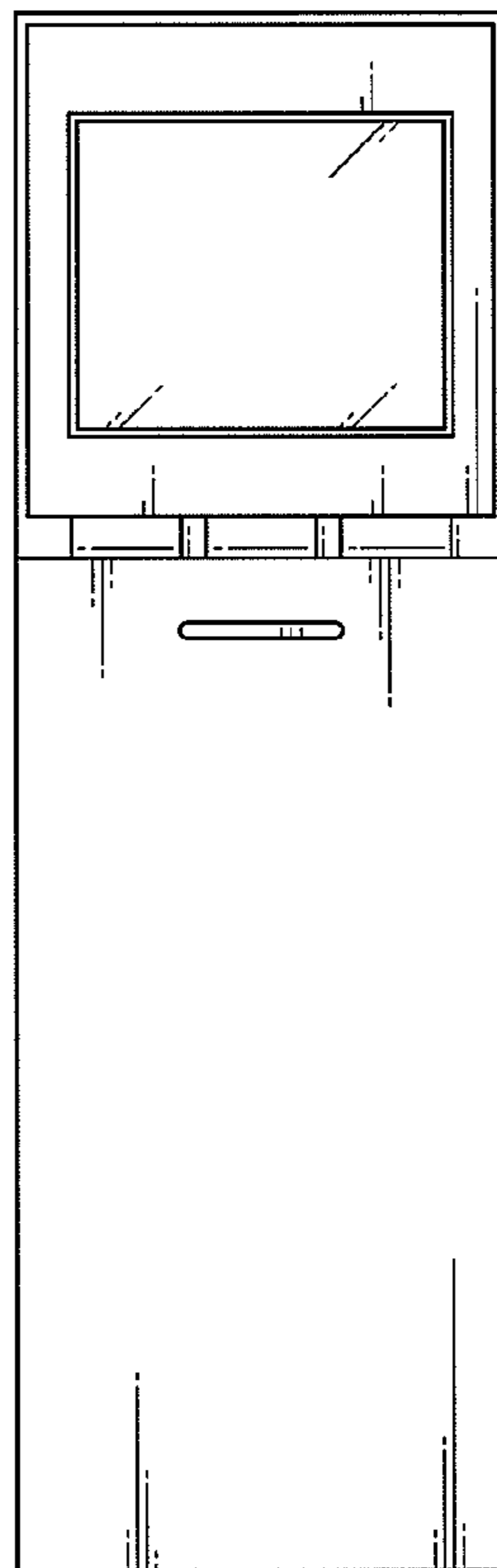


FIG.3

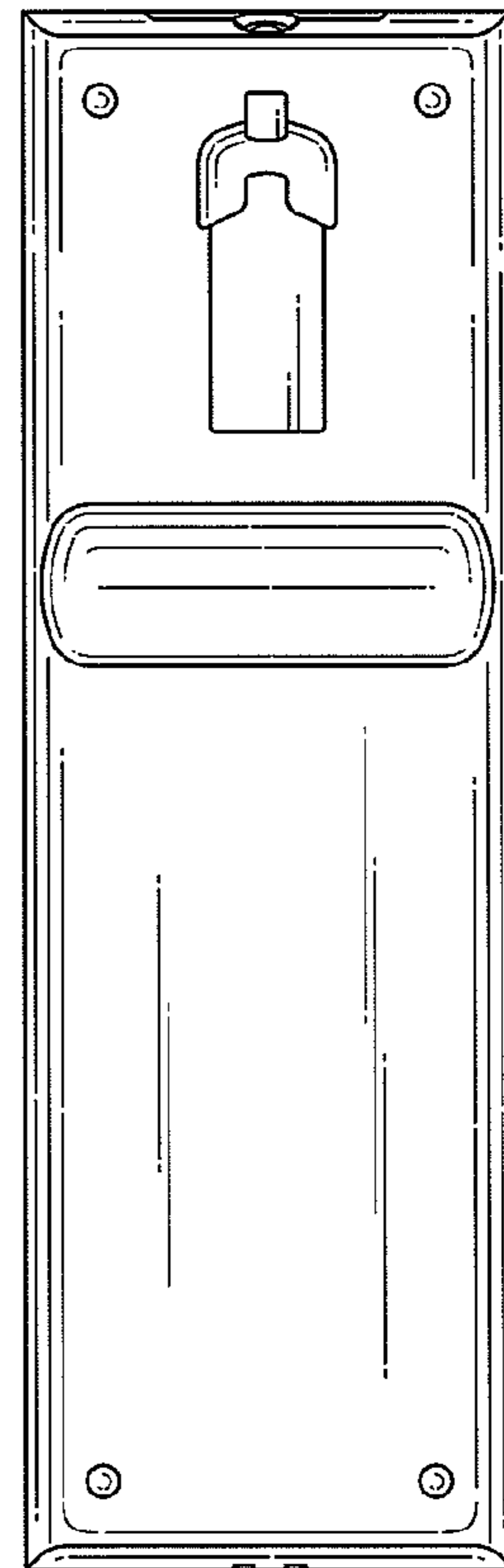


FIG. 4

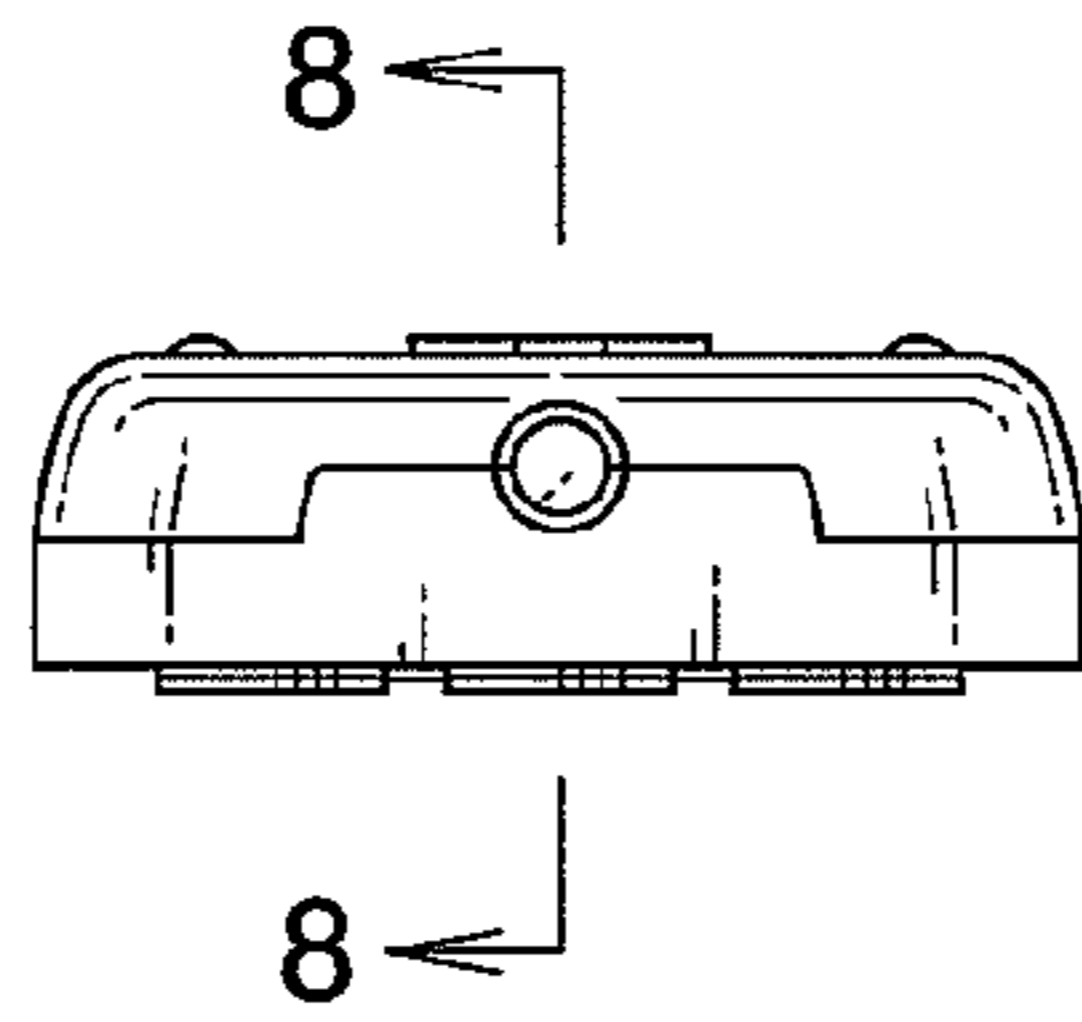


FIG. 5



FIG. 6

FIG. 7

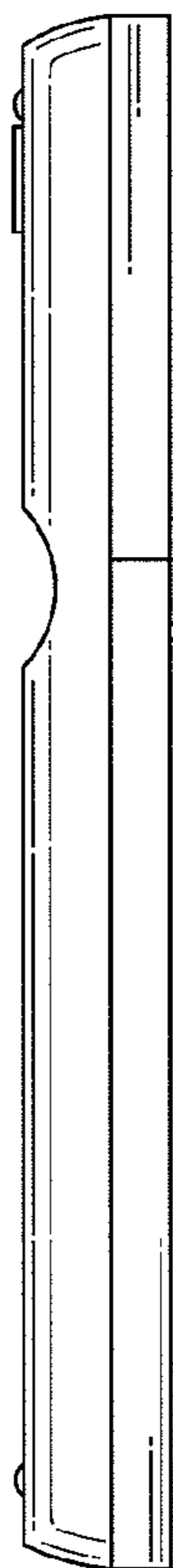


FIG.8

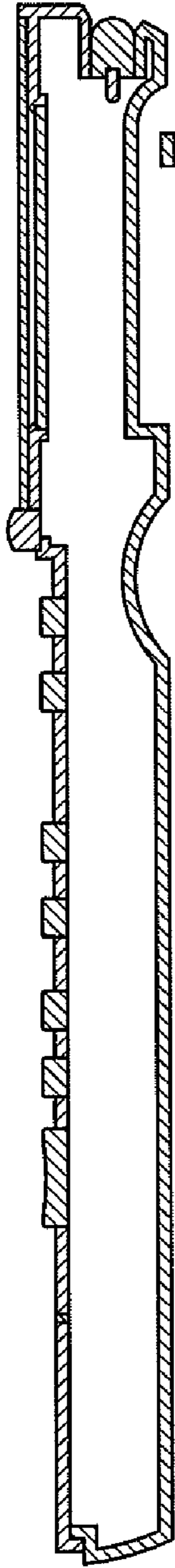


FIG.9

