



US00D619542S

(12) **United States Design Patent**  
**Svoboda et al.**

(10) **Patent No.:** **US D619,542 S**  
(45) **Date of Patent:** **\*\* \*Jul. 13, 2010**

(54) **TRAILER BRAKE CONTROLLER**  
(75) Inventors: **Paul F. Svoboda**, Emporia, KS (US);  
**Jimmie Barnes, Jr.**, Emporia, KS (US)  
(73) Assignee: **Oneida Ltd.**, Oneida, NY (US)

D515,483 S \* 2/2006 Culbert ..... D12/180  
D580,853 S \* 11/2008 Ahlgren ..... D13/107  
D593,507 S \* 6/2009 Svoboda et al. .... D13/162  
D603,808 S \* 11/2009 Svoboda et al. .... D13/162

(\* ) Notice: This patent is subject to a terminal disclaimer.

\* cited by examiner

(\*\*) Term: **14 Years**

*Primary Examiner*—Daniel D Bui

*Assistant Examiner*—Thomas J Johannes

(21) Appl. No.: **29/340,578**

(74) *Attorney, Agent, or Firm*—George R. McGuire; Bond Schoeneck & King, PLLC

(22) Filed: **Jul. 21, 2009**

(57) **CLAIM**

**Related U.S. Application Data**

The ornamental design for a trailer brake controller, as shown and described.

(63) Continuation-in-part of application No. 29/329,330, filed on Dec. 12, 2008, now Pat. No. Des. 603,808.

**DESCRIPTION**

(51) **LOC (9) Cl.** ..... **13-03**

(52) **U.S. Cl.** ..... **D13/162**

(58) **Field of Classification Search** ..... D13/158,  
D13/160, 162, 168, 169, 174, 184, 199; 174/50,  
174/52.1, 58; D12/174, 179, 180, 192; 188/3 R,  
188/181 R, 73.3, 73.31–73.39, 73.43, 73.45,  
188/206; 296/70, 190, 191, 7.2, 24.1, 9.6;  
280/750–752, 770; 303/7, 20, 3, 24.1, 123;  
340/825.22, 825.24; 361/622, 627, 679,  
361/680, 681; 700/17

FIG. 1 is a perspective view of a trailer brake controller, showing our new design.

FIG. 2 is a front elevation view thereof;

FIG. 3 is a rear elevation view thereof;

FIG. 4 is a right side elevation view thereof;

FIG. 5 is a left side elevation view thereof;

FIG. 6 is a top plan view thereof; and,

FIG. 7 is a bottom plan view thereof.

See application file for complete search history.

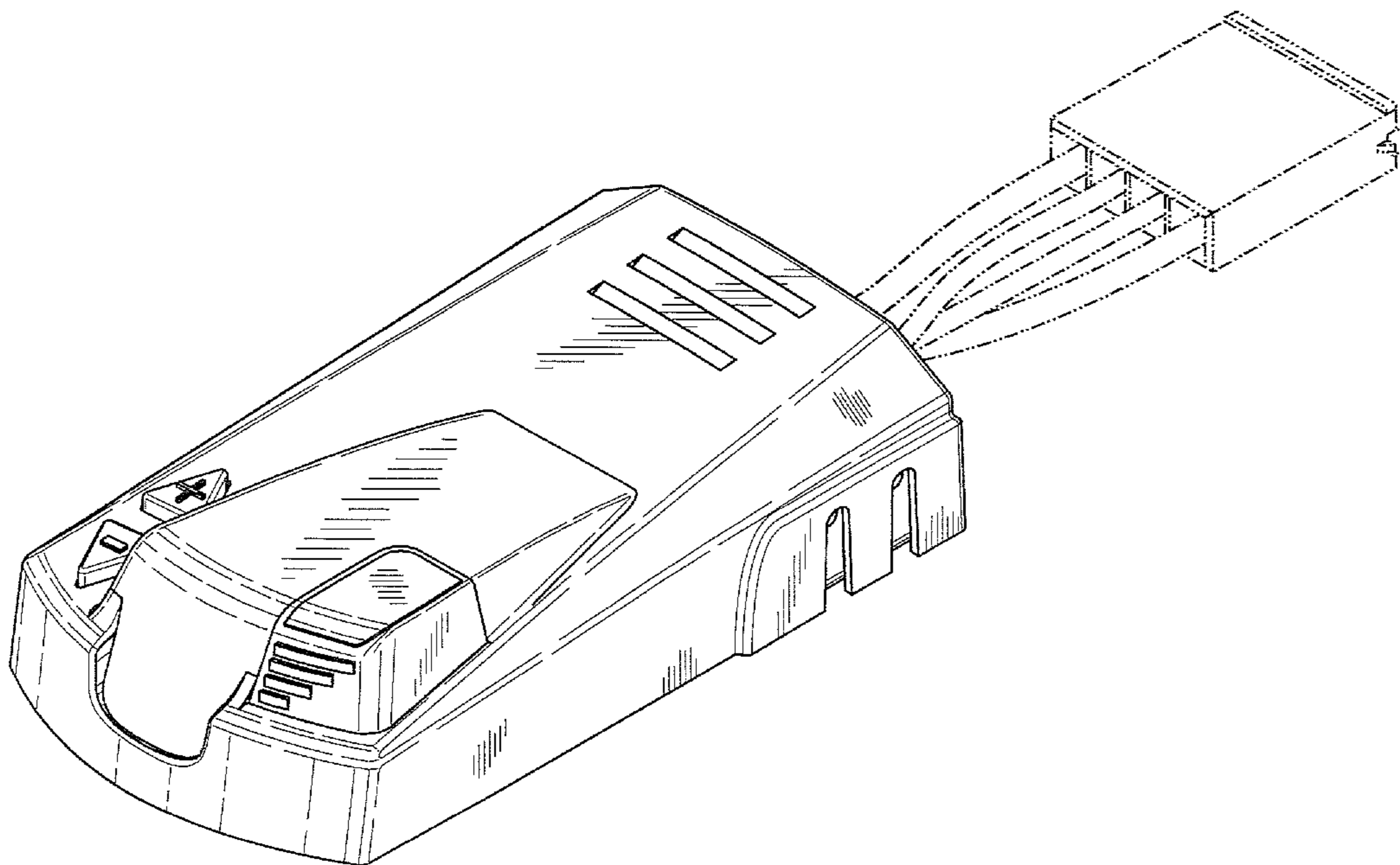
The broken line portions of the figure drawings are included to show unclaimed subject matter only and form no part of the claimed design.

(56) **References Cited**

**U.S. PATENT DOCUMENTS**

D404,365 S \* 1/1999 Robertson et al. .... D13/162

**1 Claim, 4 Drawing Sheets**



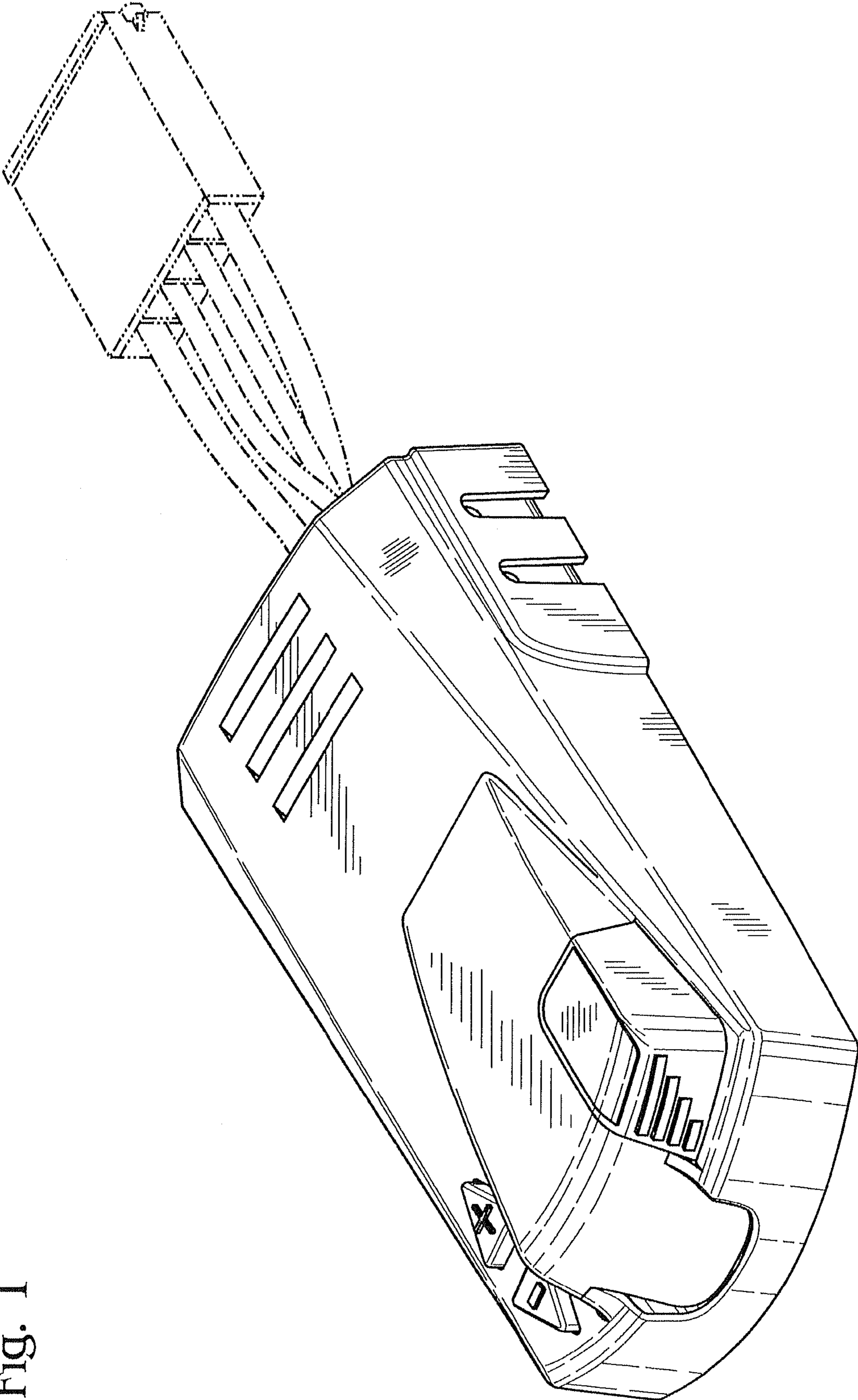


Fig. 1

Fig. 2

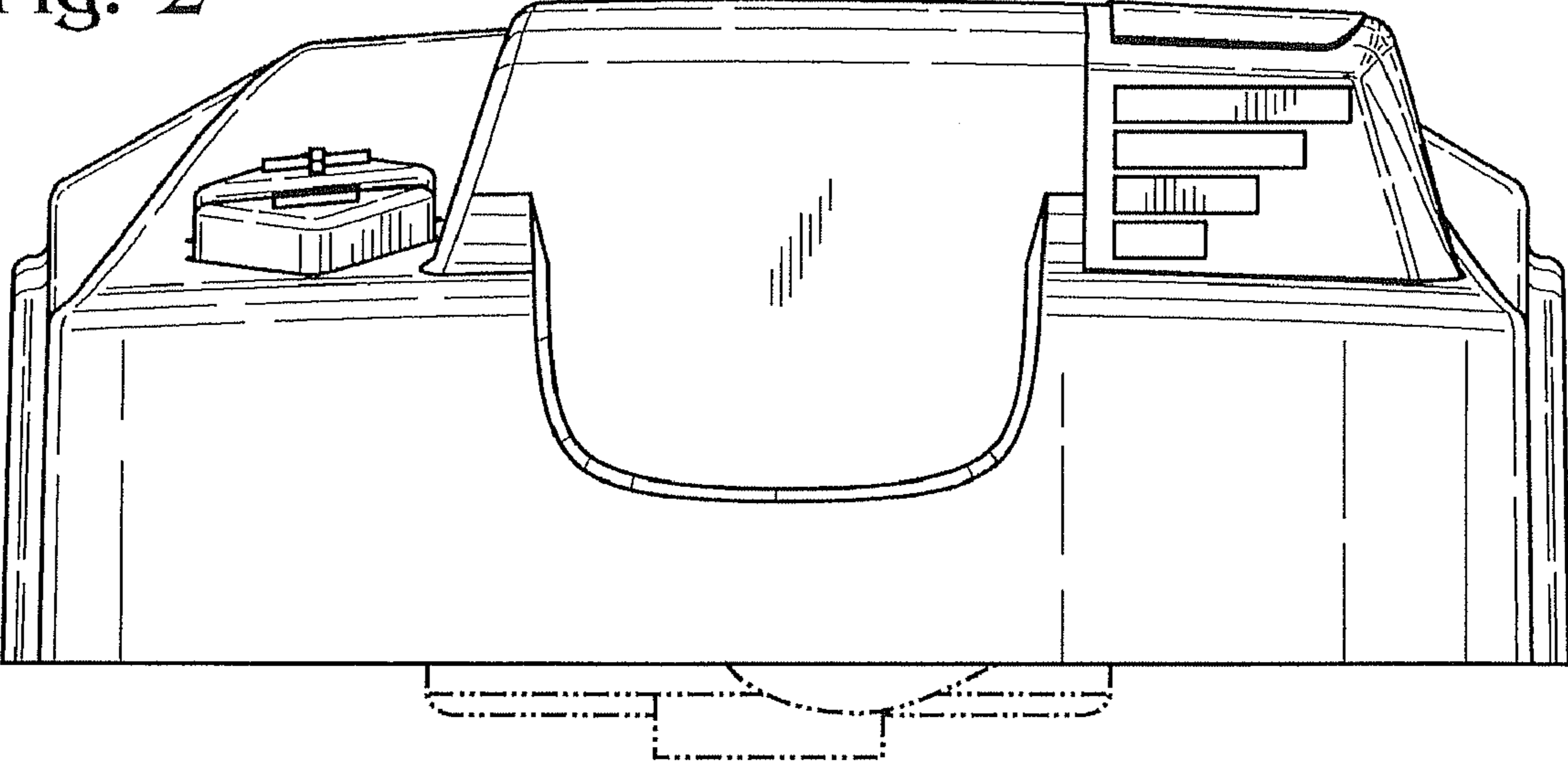


Fig. 3

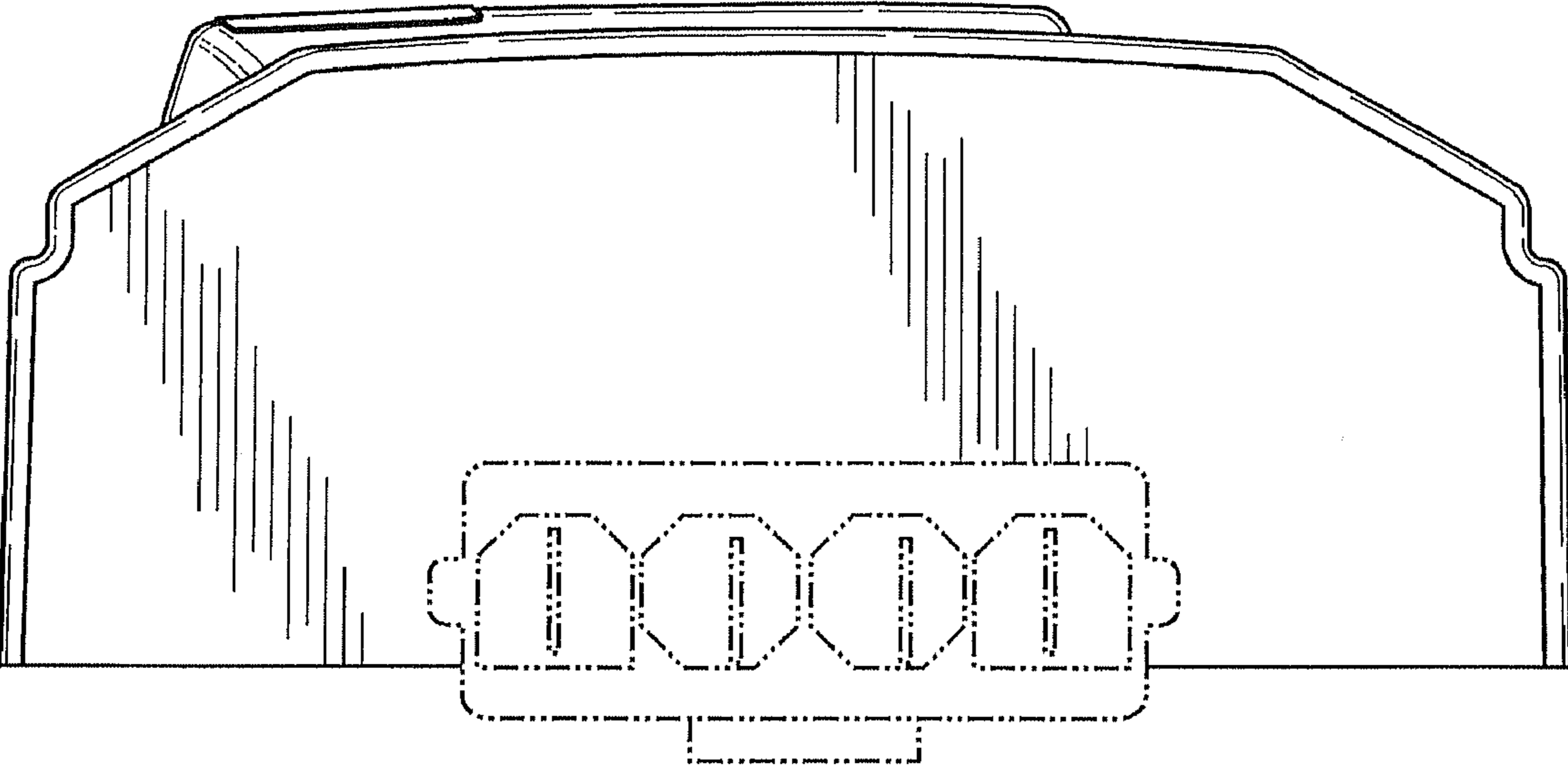


Fig. 4

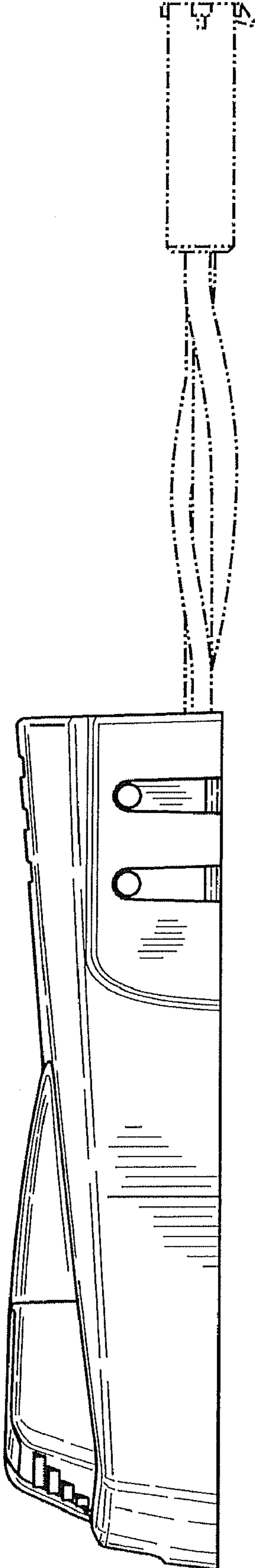


Fig. 5

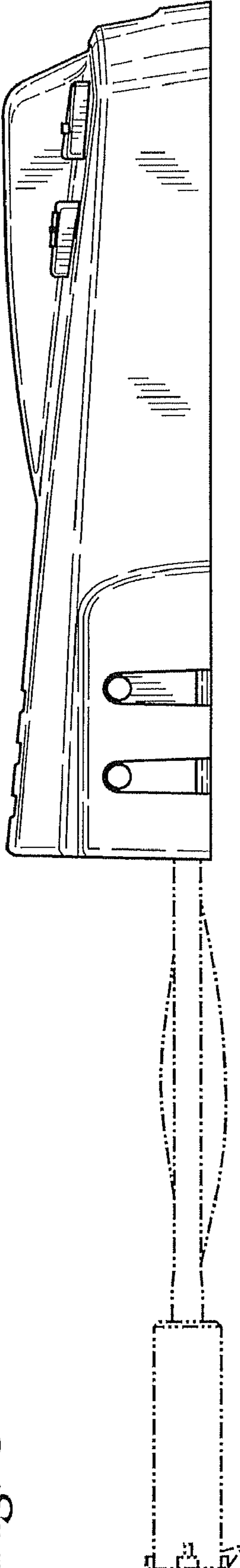


Fig. 6

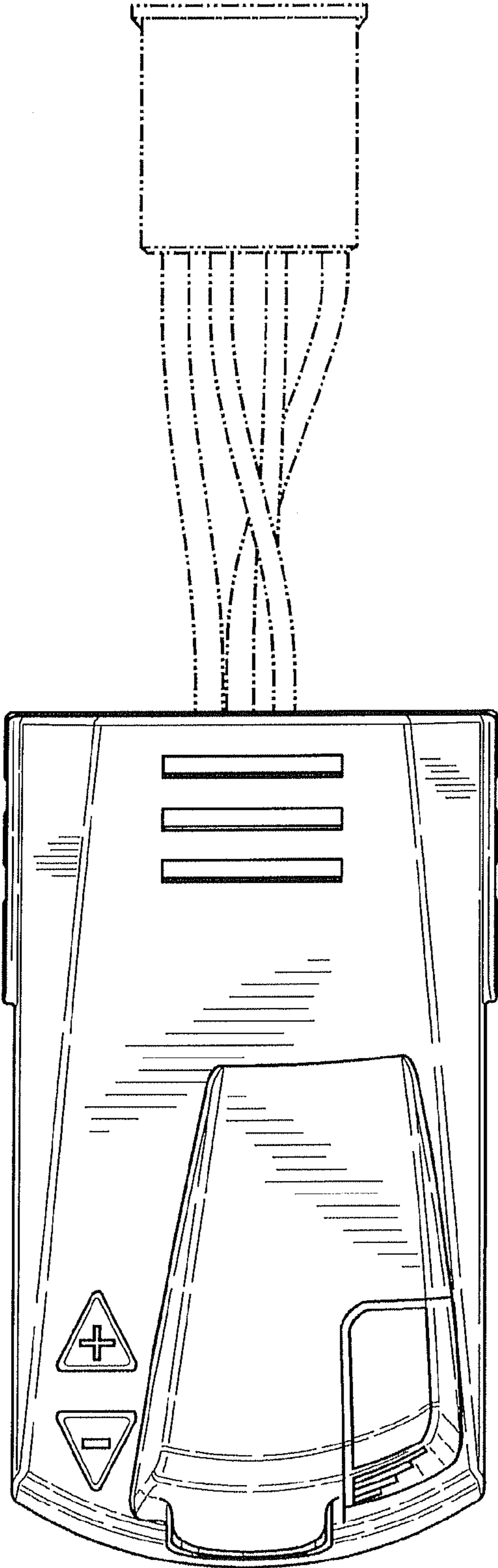


Fig. 7

