



US00D619541S

(12) **United States Design Patent**
Lucas

(10) **Patent No.:** **US D619,541 S**

(45) **Date of Patent:** **** Jul. 13, 2010**

(54) **SWITCH BLOCK**

(75) Inventor: **John M Lucas**, 5 Acorn Cir., Pocasset, MA (US) 02559

(73) Assignee: **John M Lucas**, Pocasset, MA (US)

(**) Term: **14 Years**

(21) Appl. No.: **29/323,881**

(22) Filed: **Sep. 2, 2008**

(51) **LOC (9) Cl.** **13-03**

(52) **U.S. Cl.** **D13/162; D13/169**

(58) **Field of Classification Search** D13/158, D13/168, 169, 170, 171, 173, 174, 184, 199, D13/133, 137.1, 137.3; 200/50.01, 50.02, 200/50.15, 333, 339; D14/247; D10/104, D10/106; 174/50, 53, 57, 66; 307/140, 141; 362/95, 145; 439/373, 535, 536

See application file for complete search history.

(56) **References Cited**

U.S. PATENT DOCUMENTS

- D269,607 S * 7/1983 Ohashi D13/169
- D300,921 S * 5/1989 Tetreault D13/154
- D350,278 S * 9/1994 Figueroa D8/353
- D420,333 S * 2/2000 Starkey D13/169
- D440,946 S * 4/2001 Yu D13/169
- D442,147 S * 5/2001 Tamura D13/164
- D467,557 S * 12/2002 Eckel et al. D13/162
- D484,101 S * 12/2003 Long et al. D13/158

- D531,583 S * 11/2006 Suzuki D13/165
- D542,232 S * 5/2007 Suzuki D13/165
- D582,847 S * 12/2008 Wang D13/113

OTHER PUBLICATIONS

<http://www.lucasmfg.com/> applicant's website home page showing similar but not identical designs . . . not dated.*

* cited by examiner

Primary Examiner—Daniel D Bui

Assistant Examiner—Thomas J Johannes

(57) **CLAIM**

The ornamental design for a switch block, as shown and described.

DESCRIPTION

FIG. 1 is a perspective view of a switch block, showing my new design;

FIG. 2 is a front elevational view thereof;

FIG. 3 is a rear elevational view thereof;

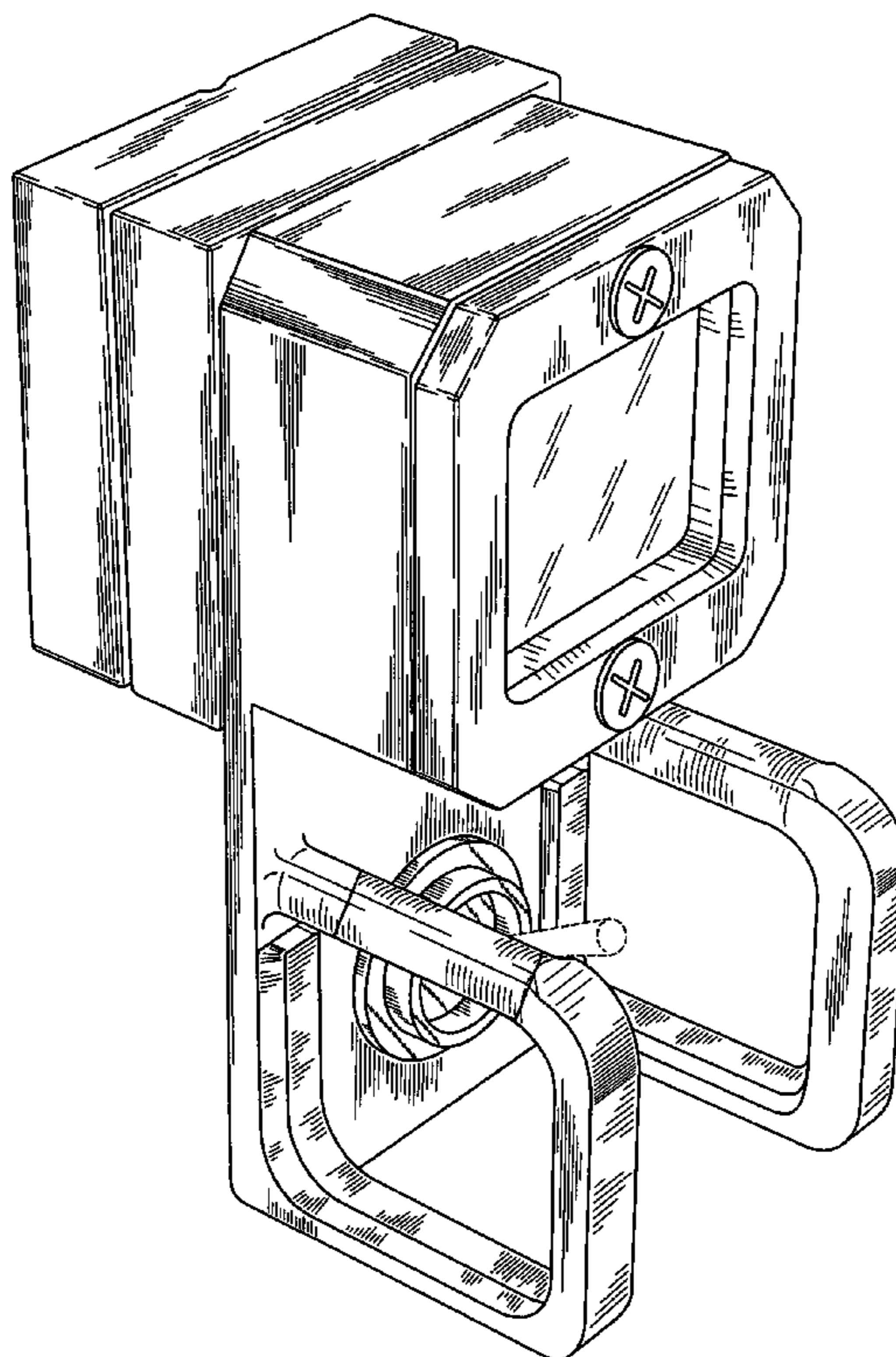
FIG. 4 is a left-side elevational view thereof; the right-side elevational view being a mirror image thereto;

FIG. 5 is a top plan view thereof; and,

FIG. 6 is a bottom plan view thereof.

The broken line portion of the figure drawings is included to show unclaimed subject matter only and forms no part of the claimed design.

1 Claim, 3 Drawing Sheets



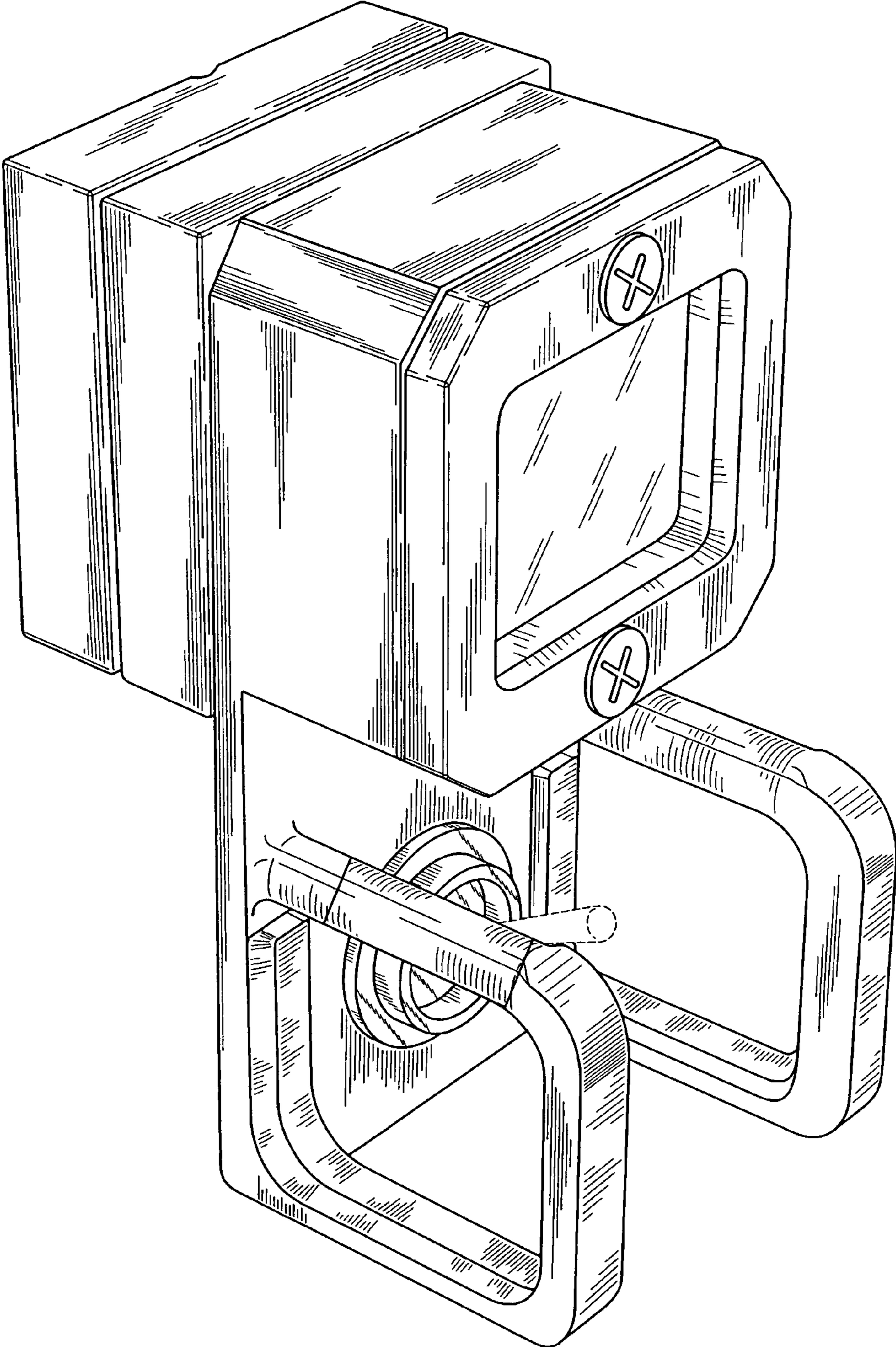


FIG. 1

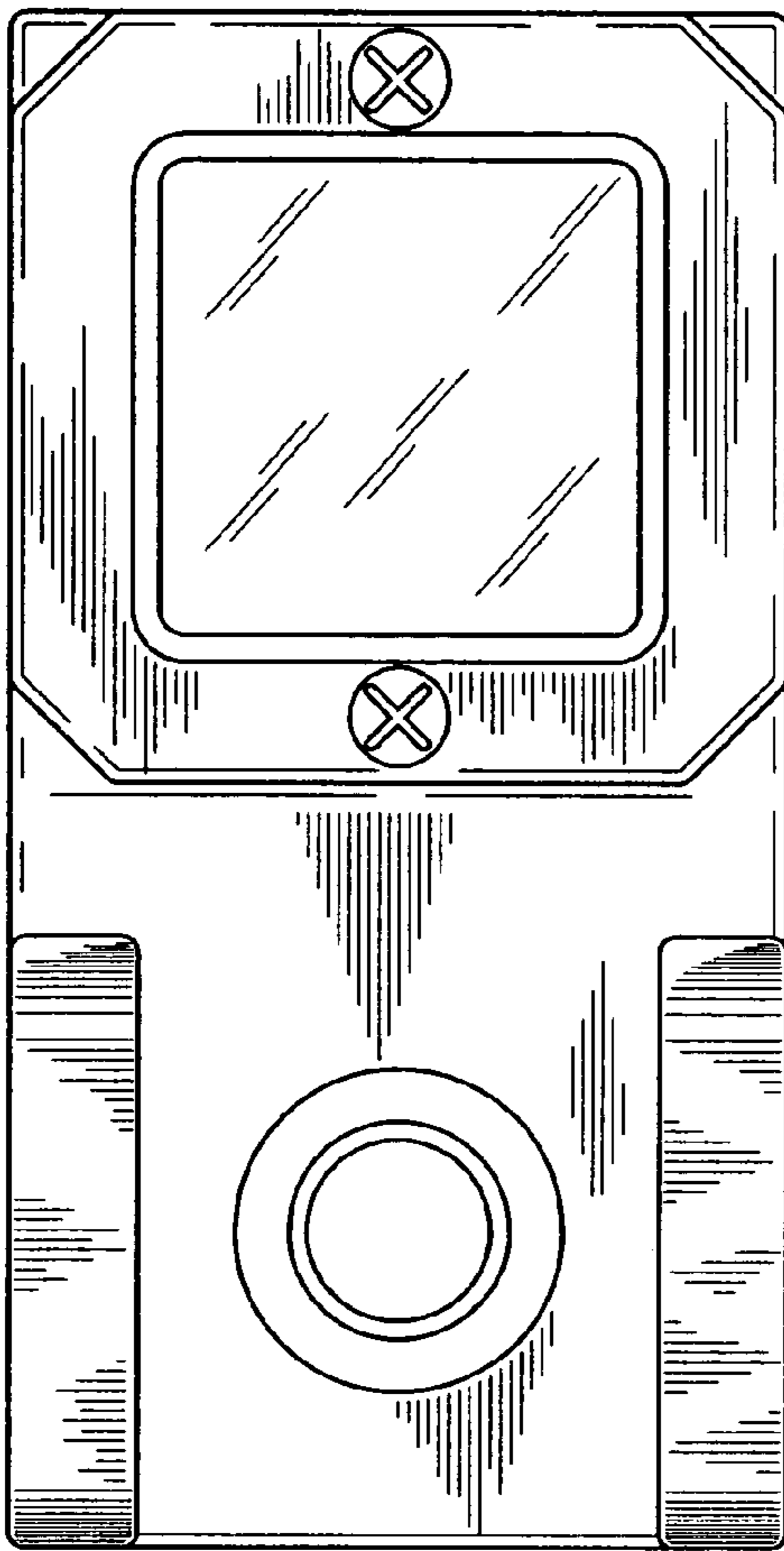


FIG. 2

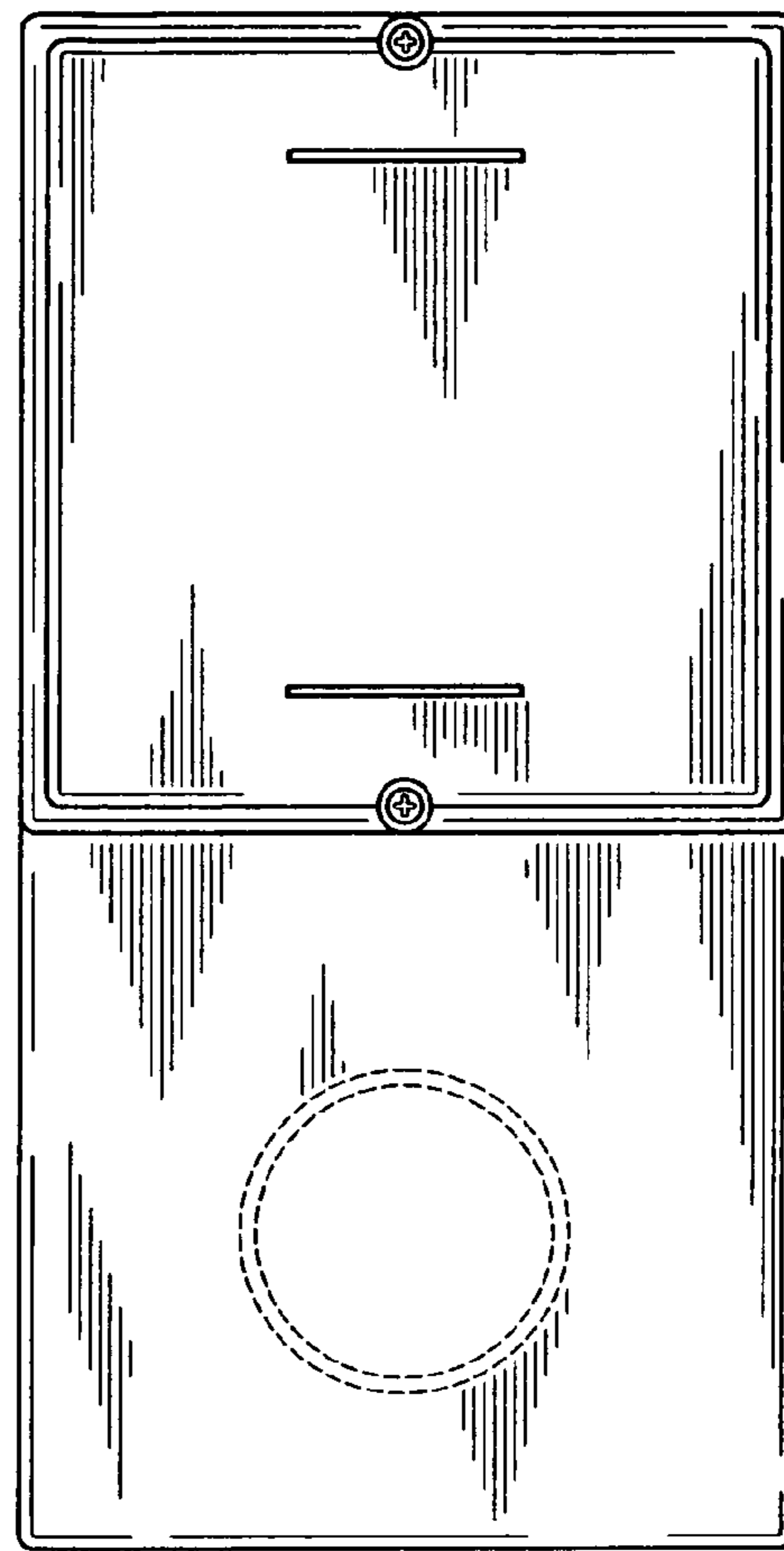


FIG. 3

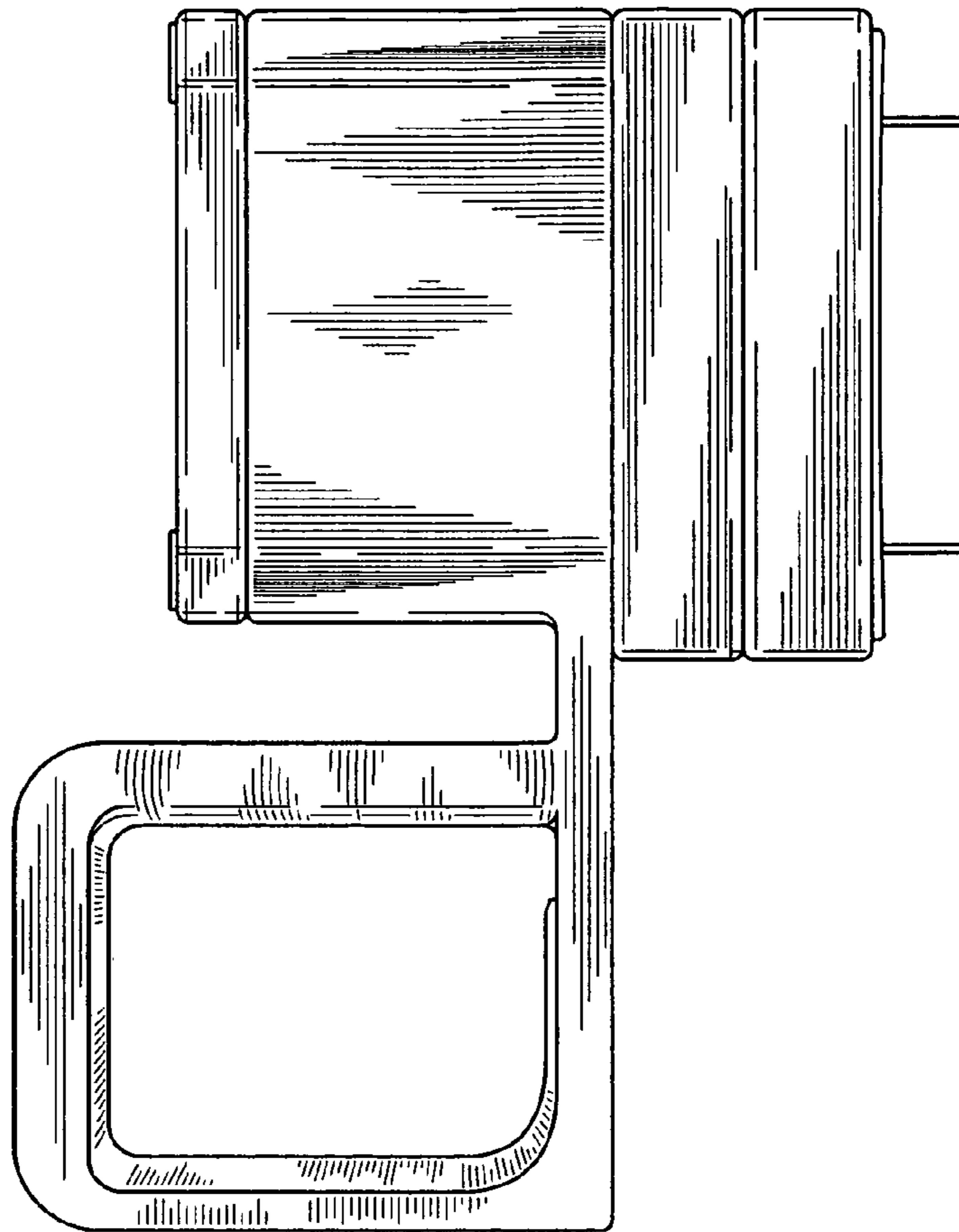


FIG. 4

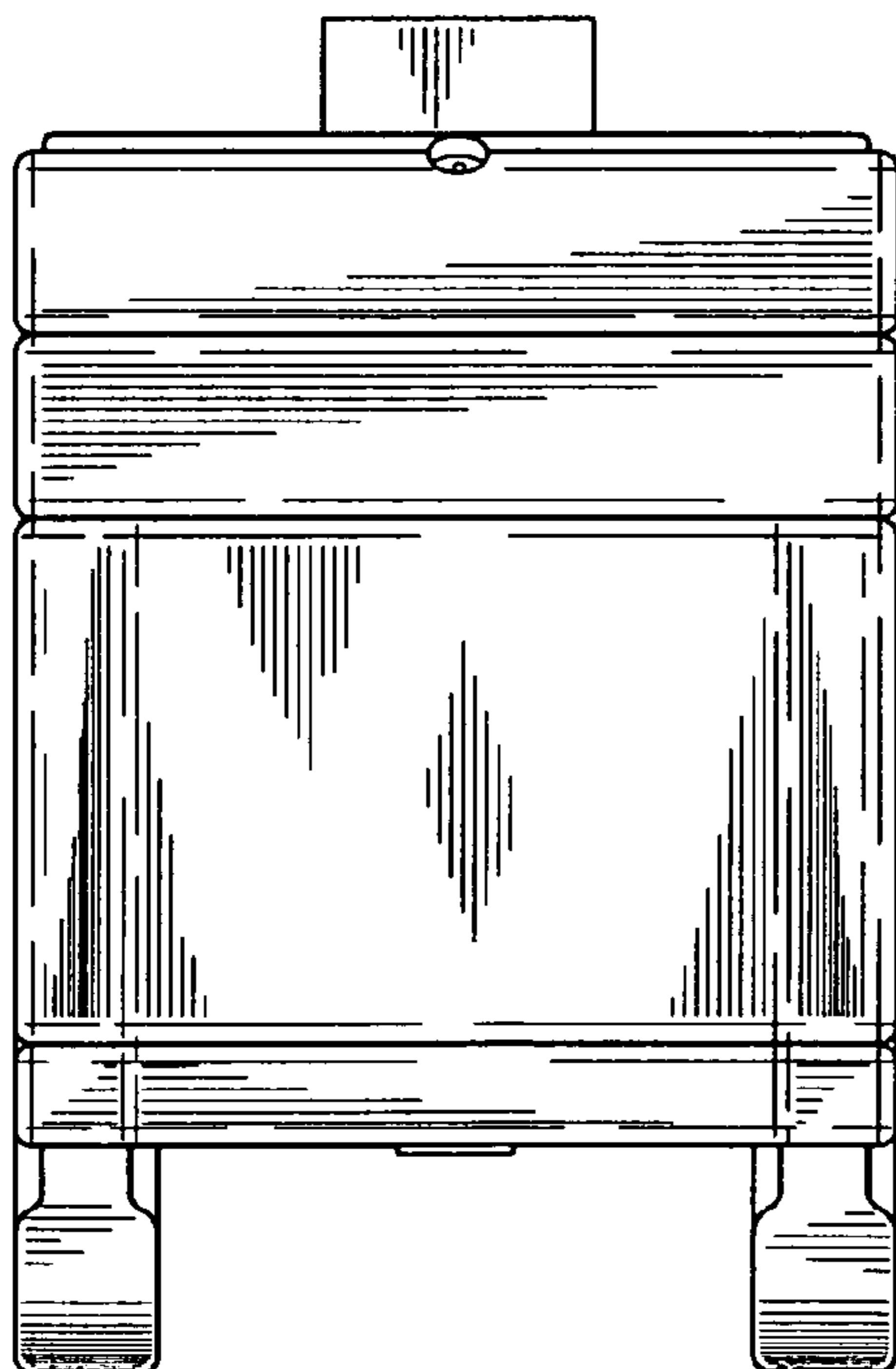


FIG. 5

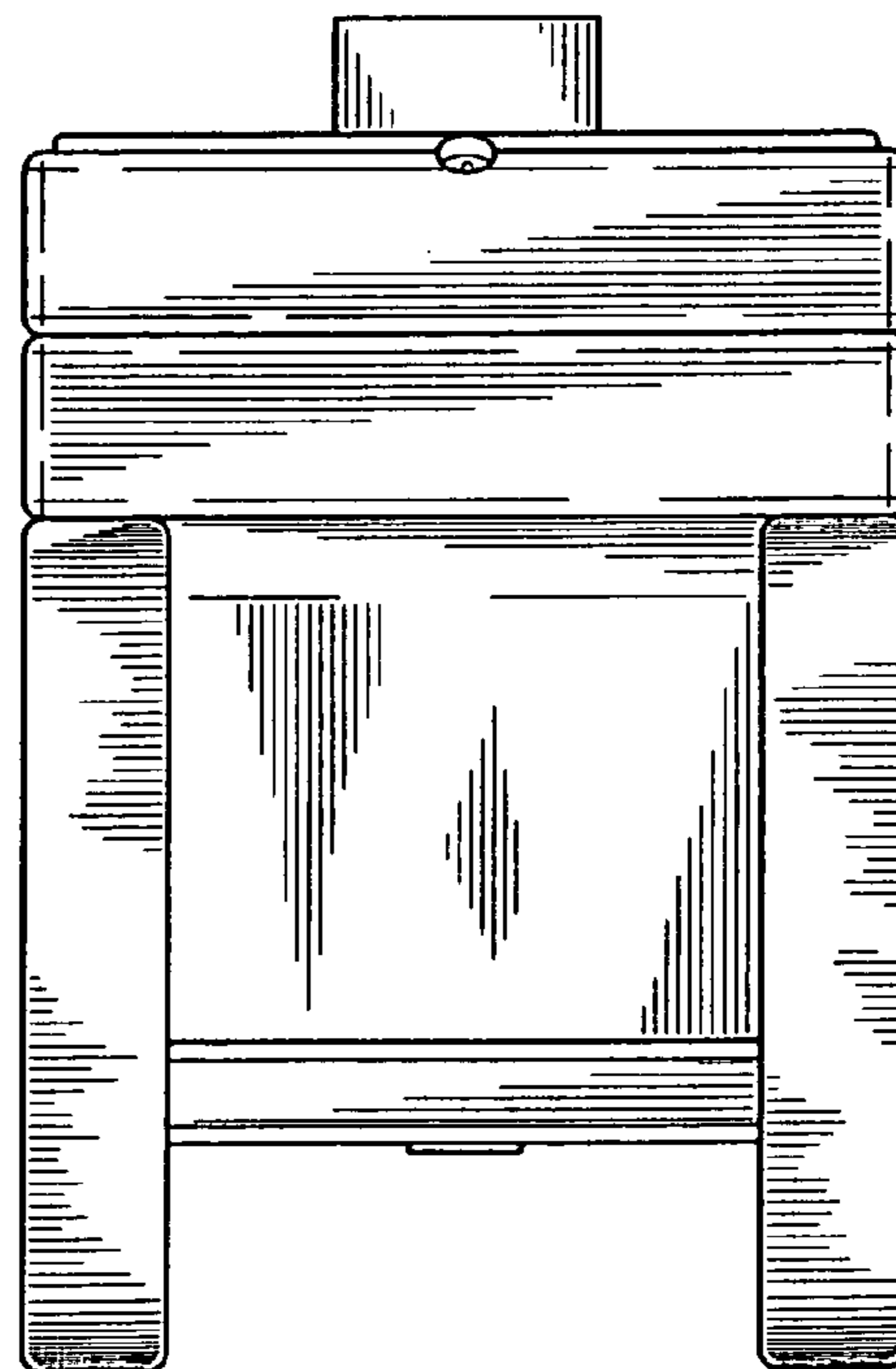


FIG. 6