



US00D619540S

(12) **United States Design Patent**
Victor

(10) **Patent No.:** **US D619,540 S**
(45) **Date of Patent:** **** Jul. 13, 2010**

(54) **CABLE CONNECTOR**

(76) Inventor: **Jay Victor**, 2017 Bataan Rd., Unit A,
Redondo Beach, CA (US) 90278

(**) Term: **14 Years**

(21) Appl. No.: **29/344,939**

(22) Filed: **Oct. 6, 2009**

(51) **LOC (9) Cl.** **13-03**

(52) **U.S. Cl.** **D13/154**

(58) **Field of Classification Search** D13/133,
D13/146-147, 154, 184; D14/432, 433,
D14/435, 438; 439/350, 447, 607-610, 660,
439/677, 680-682

See application file for complete search history.

(56) **References Cited**

U.S. PATENT DOCUMENTS

D555,094 S	*	11/2007	Victor et al.	D13/133
D563,899 S	*	3/2008	Goetz et al.	D13/154
D584,238 S	*	1/2009	Victor	D13/156
D593,959 S	*	6/2009	Victor	D13/156
D604,251 S	*	11/2009	Hwang	D13/154

* cited by examiner

Primary Examiner—Daniel D Bui
(74) *Attorney, Agent, or Firm*—Trojan Law Offices

(57) **CLAIM**

The ornamental design for a cable connector, as shown and described.

DESCRIPTION

FIG. 1 is a perspective view of a cable connector, showing my new design;

FIG. 2 is a top view of the cable connector shown in FIG. 1; a bottom view of the cable connector shown in FIG. 1 is a mirror image of the top view shown;

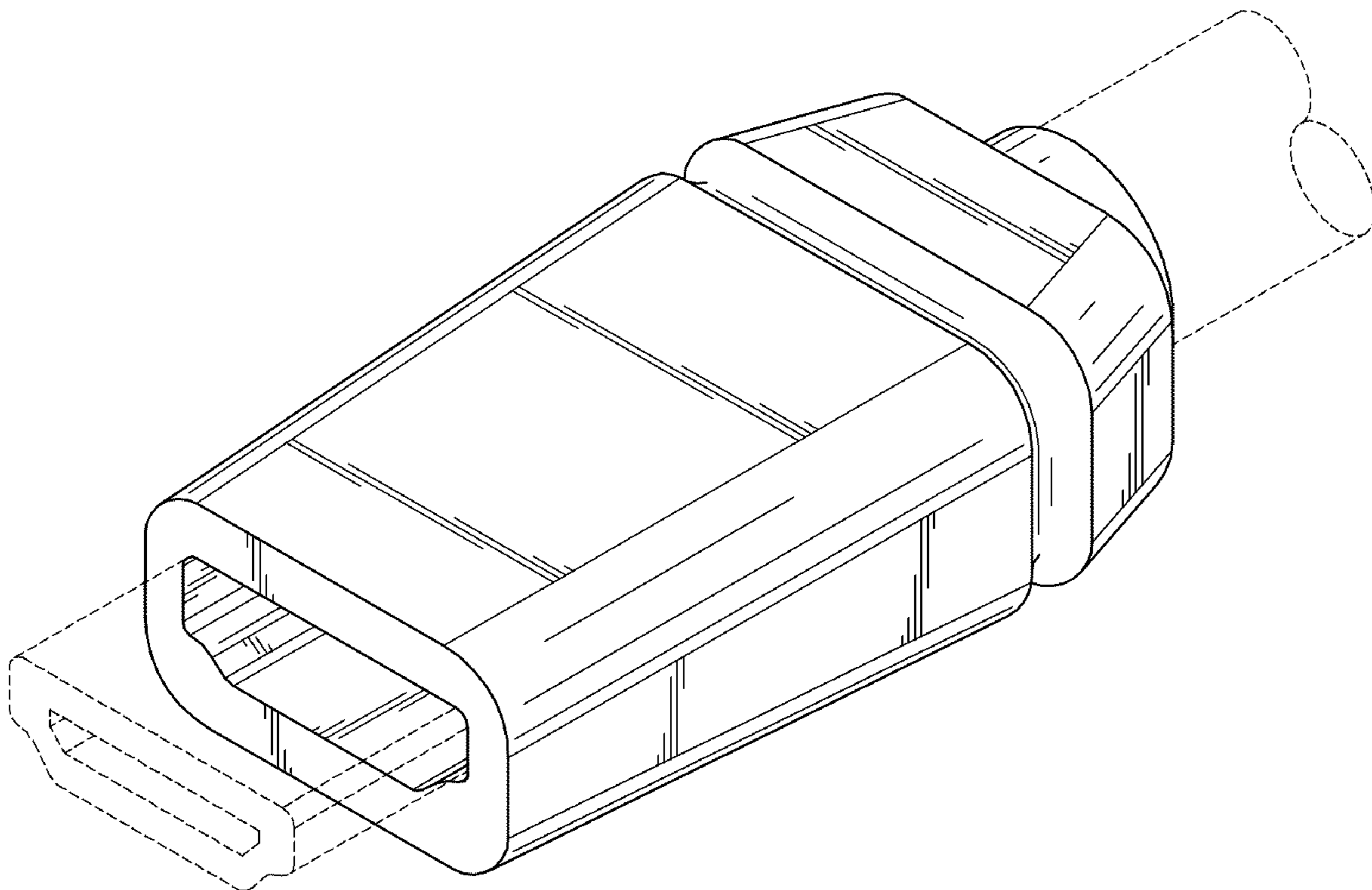
FIG. 3 is a front view of the cable connector shown in FIG. 1;

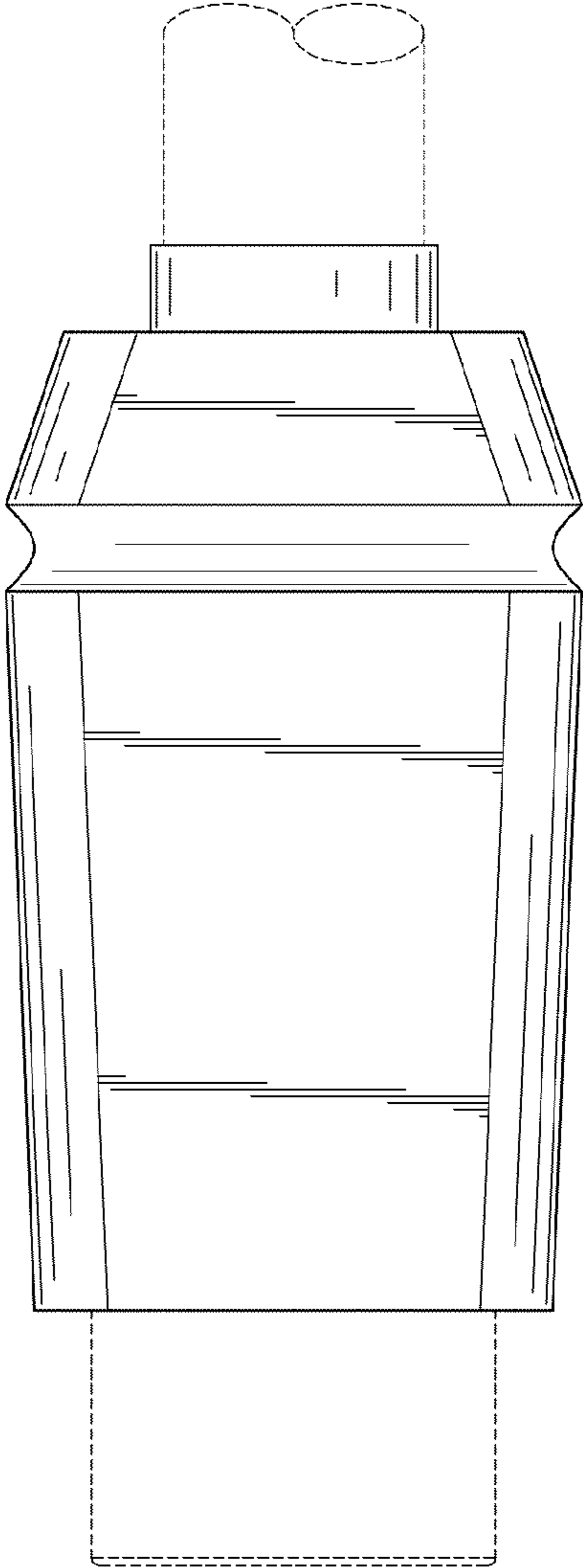
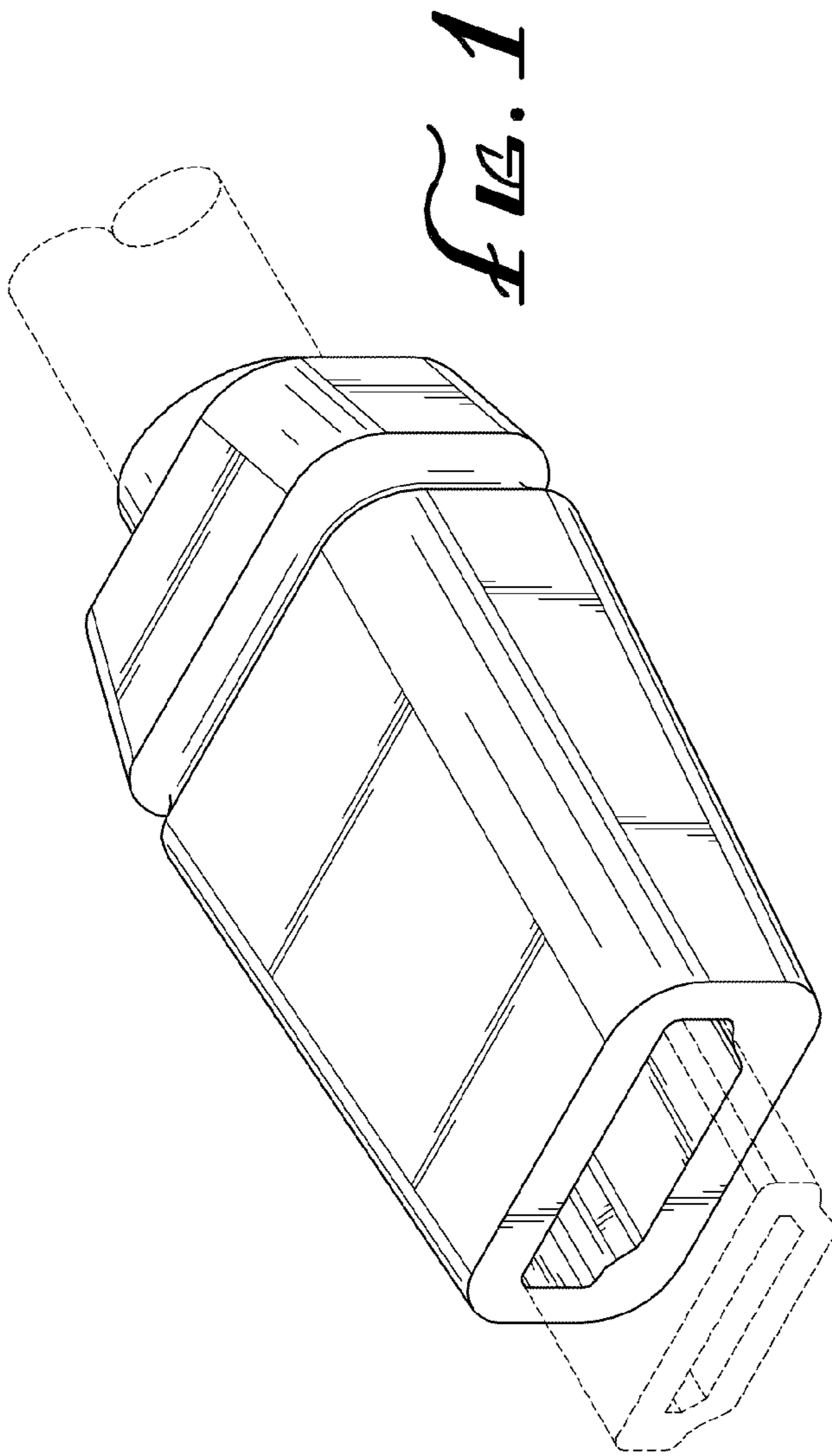
FIG. 4 is a side view of the cable connector shown in FIG. 1; the opposite side of the view shown in FIG. 4 is a mirror image of the side view shown; and,

FIG. 5 is a rear view of the cable connector shown in FIG. 1.

The broken line portion of the figure drawings is included for the purpose of illustrating environment only and forms no part of the claimed.

1 Claim, 2 Drawing Sheets





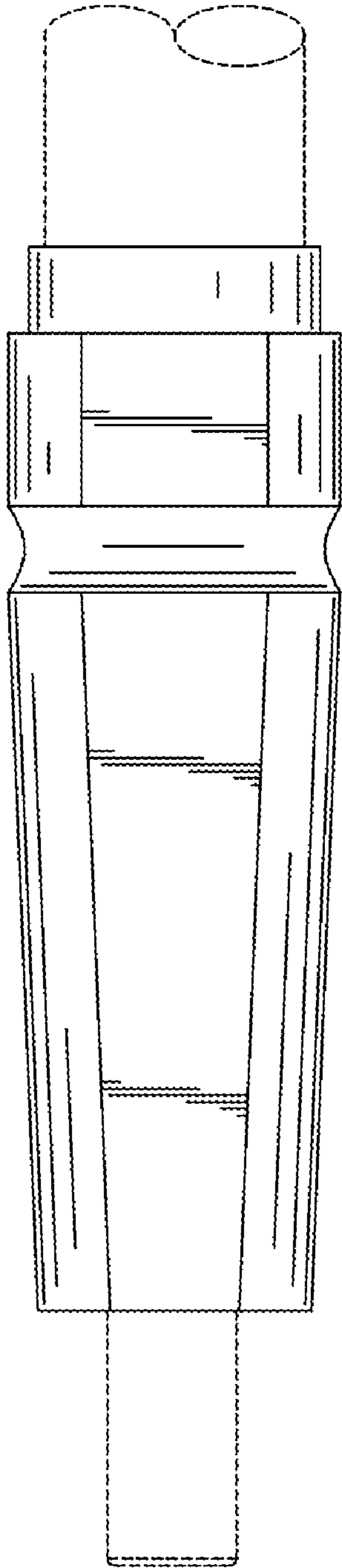


Fig. 4

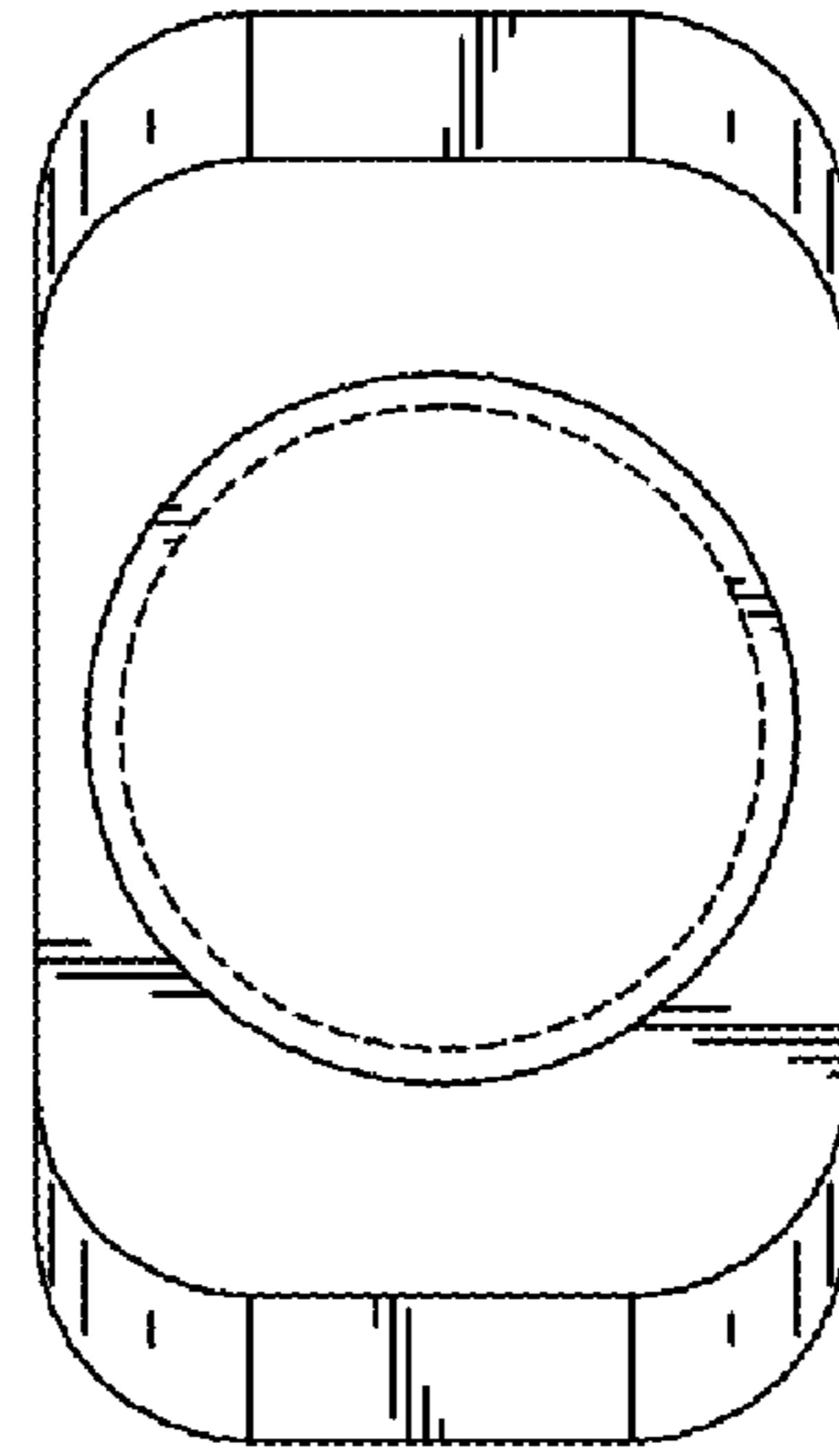


Fig. 5

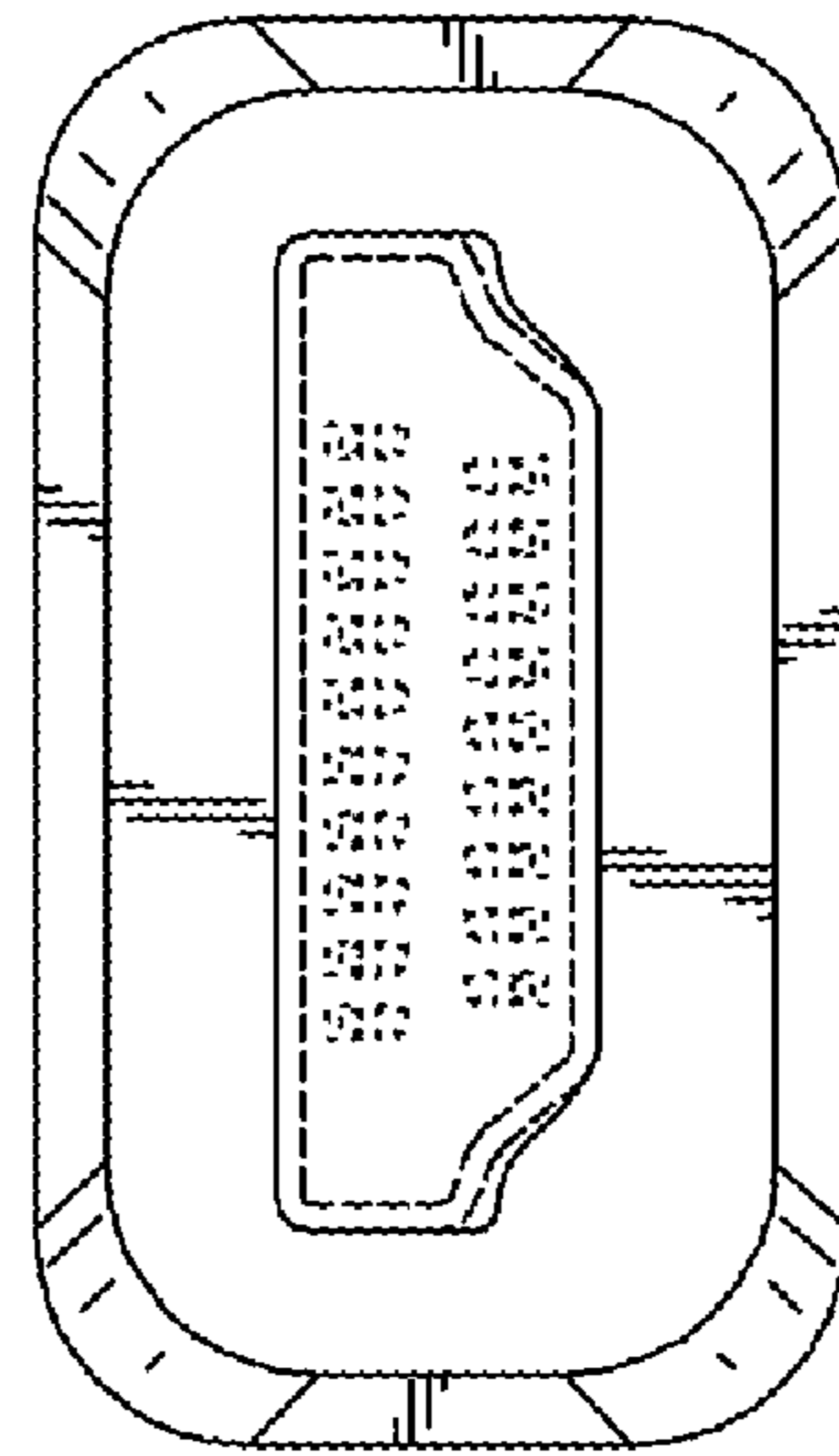


Fig. 6