



US00D619537S

(12) **United States Design Patent**  
**Cohen et al.**

(10) **Patent No.:** **US D619,537 S**  
(45) **Date of Patent:** **\*\* Jul. 13, 2010**

(54) **ELECTRONIC DEVICE CONNECTOR**

(75) Inventors: **Itay Cohen**, Raanana (IL); **Eyal Bychkov**, Hod Hasharon (IL); **Noam Bernstein**, Tel Aviv (IL); **Yaniv Maydar**, Tel Aviv (IL); **Michael Ip Siu Kong**, Tuen Mun (HK); **Yaohua Hou**, Shenzhen (CN); **Xiaolin Yin**, Shenzhen (CN)

(73) Assignee: **Modu Ltd.**, Kfar Saba (IL)

(\*\*) Term: **14 Years**

(21) Appl. No.: **29/340,451**

(22) Filed: **Jul. 19, 2009**

(51) **LOC (9) Cl.** ..... **13-03**

(52) **U.S. Cl.** ..... **D13/147**

(58) **Field of Classification Search** ..... D13/147,  
D13/154, 184; 439/64, 79, 108, 159–160,  
439/260, 607–610, 629–630, 946

See application file for complete search history.

(56) **References Cited**

**U.S. PATENT DOCUMENTS**

D429,219 S \* 8/2000 Chiou ..... D13/147

D456,011 S \* 4/2002 Shi et al. .... D13/147  
D457,859 S \* 5/2002 Wu ..... D13/146  
D474,155 S \* 5/2003 Wu ..... D13/147  
D543,944 S \* 6/2007 Yamada et al. .... D13/147  
D596,576 S \* 7/2009 Zhu ..... D13/147  
D597,951 S \* 8/2009 Hatano et al. .... D13/147

\* cited by examiner

*Primary Examiner*—Daniel D Bui

(74) *Attorney, Agent, or Firm*—Soquel Group LLC

(57) **CLAIM**

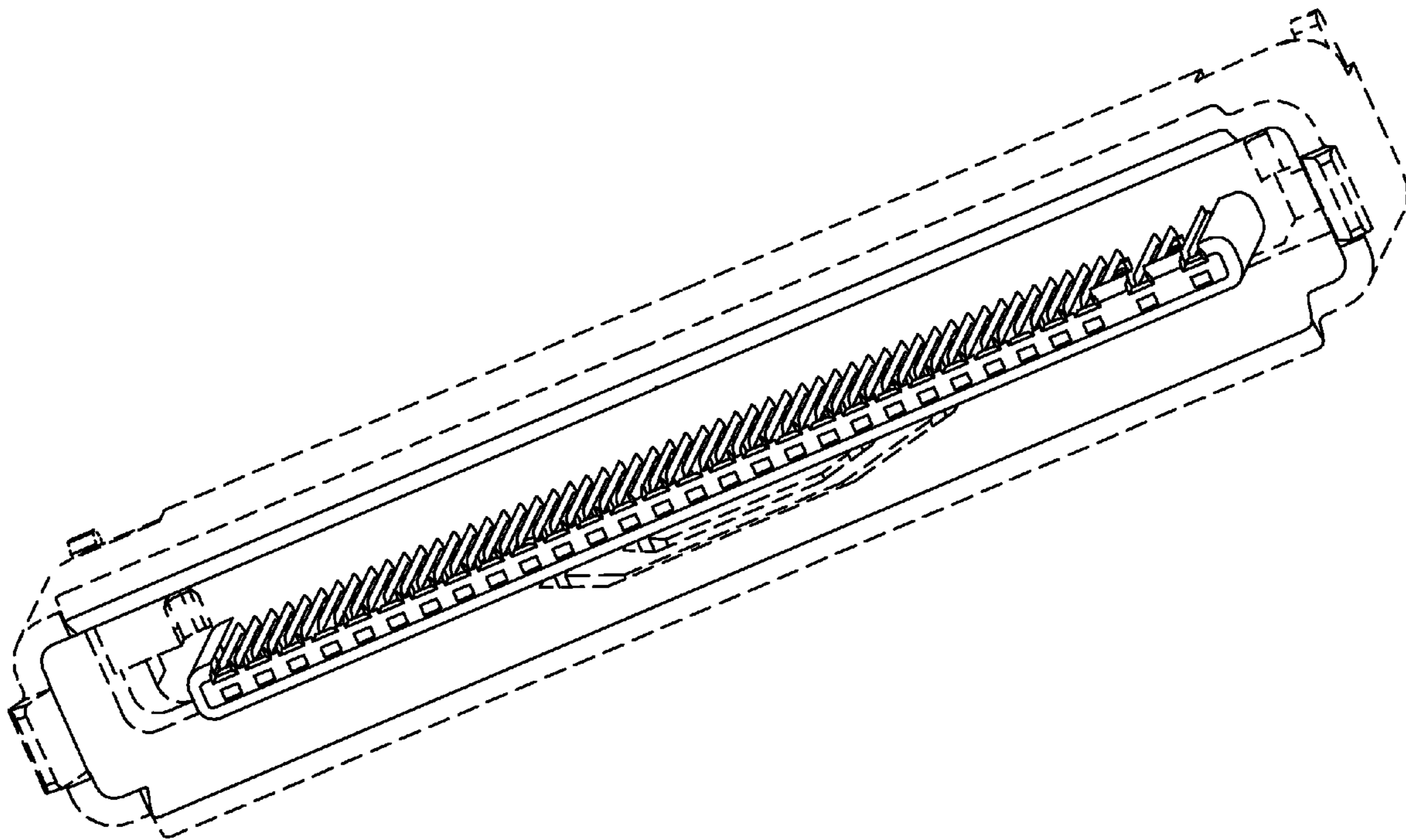
The ornamental design for an electronic device connector, as shown and described.

**DESCRIPTION**

FIG. 1 is a front and right side perspective view of an electronic device connector showing our new design; and, FIG. 2 is a front elevation view thereof.

The broken line portion of the figure drawings is included to show unclaimed subject matter only and forms no part of the claimed design.

**1 Claim, 2 Drawing Sheets**



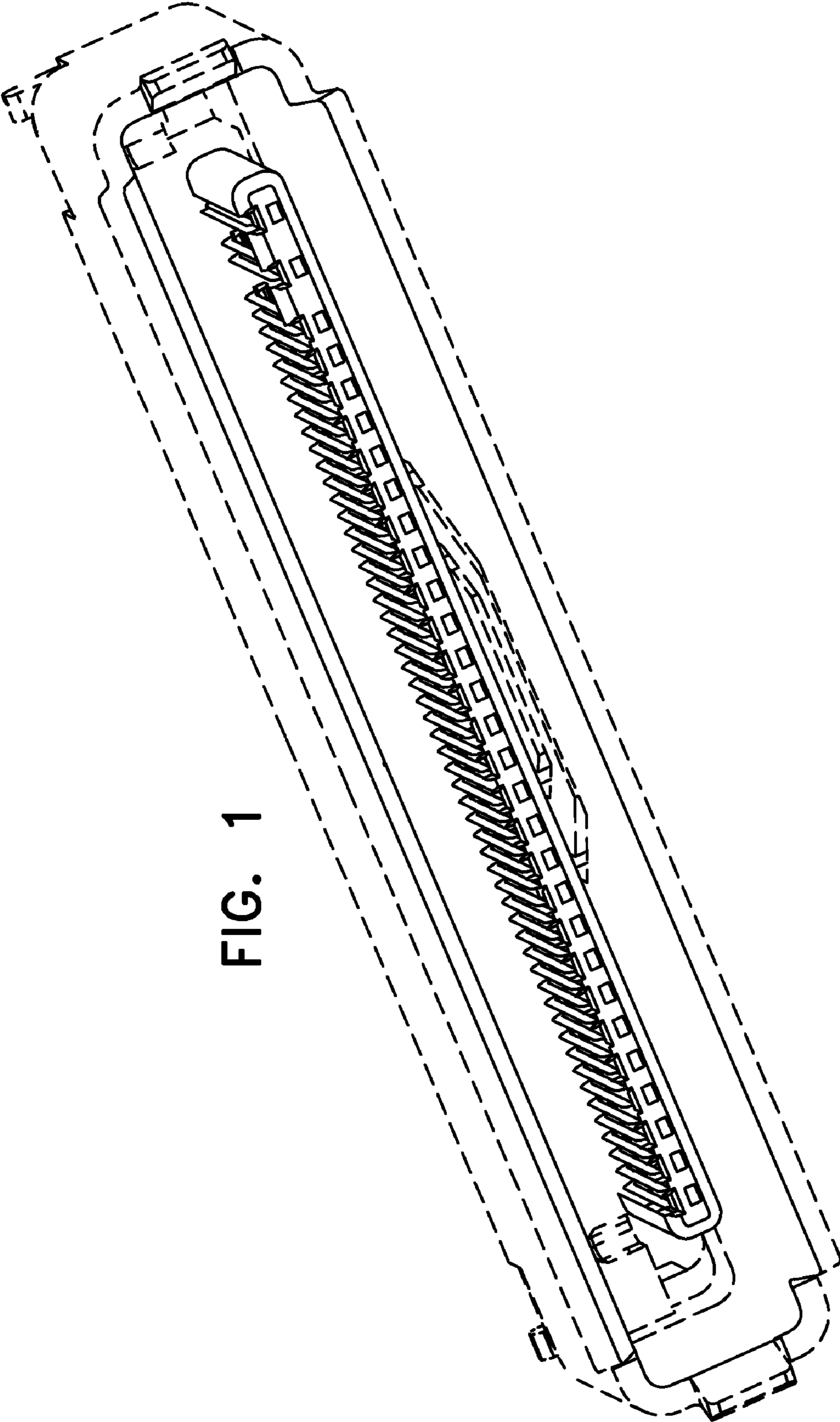


FIG. 1

FIG. 2

