



US00D619536S

(12) **United States Design Patent**  
**Kato**

(10) **Patent No.:** **US D619,536 S**

(45) **Date of Patent:** **\*\* \*Jul. 13, 2010**

(54) **OPTICAL CONNECTOR**

(75) Inventor: **Seiji Kato**, Chiba (JP)

(73) Assignee: **Fujikura Ltd.**, Tokyo (JP)

(\*) Notice: This patent is subject to a terminal disclaimer.

(\*\*) Term: **14 Years**

(21) Appl. No.: **29/311,859**

(22) Filed: **Jul. 15, 2009**

**Related U.S. Application Data**

(63) Continuation of application No. 29/309,288, filed on Jul. 18, 2008.

(51) **LOC (9) Cl.** ..... **13-03**

(52) **U.S. Cl.** ..... **D13/147**

(58) **Field of Classification Search** ..... D13/133,  
D13/146-147, 154, 184; 385/55, 59-60,  
385/71, 78, 80, 83, 89-91; 439/353, 358,  
439/660, 682

See application file for complete search history.

(56) **References Cited**

**U.S. PATENT DOCUMENTS**

5,799,122 A \* 8/1998 Jeong et al. .... 385/59  
5,923,803 A \* 7/1999 Bunin et al. .... 385/80  
6,146,024 A \* 11/2000 Melchior ..... 385/59  
6,168,317 B1 \* 1/2001 Shahid ..... 385/71  
6,257,917 B1 \* 7/2001 Hyzin ..... 439/358

D526,276 S \* 8/2006 Shiraishi et al. .... D13/146  
D590,773 S \* 4/2009 Suematsu et al. .... D13/147  
2001/0053266 A1 \* 12/2001 Suematsu et al. .... 385/80  
2004/0208456 A1 \* 10/2004 Yang et al. .... 385/78  
2006/0245695 A1 \* 11/2006 Fujiwara et al. .... 385/71  
2009/0116793 A1 \* 5/2009 Nishimura et al. .... 385/78

**OTHER PUBLICATIONS**

Kato et al., U.S. Appl. No. 29/309,288, filed Jul. 18, 2008.

\* cited by examiner

*Primary Examiner*—Daniel D Bui

(74) *Attorney, Agent, or Firm*—Nixon & Vanderhye P.C.

(57) **CLAIM**

The ornamental design for an optical connector, as shown and described.

**DESCRIPTION**

FIG. 1 is a front perspective view of an optical connector showing my design;

FIG. 2 is a rear perspective view thereof;

FIG. 3 is a front elevation view thereof;

FIG. 4 is a rear elevation view thereof;

FIG. 5 is left side elevation view thereof with the right side elevation view being symmetrical with the left side elevation view; and,

FIG. 6 is a top plan view thereof.

The broken line portion of the figure drawings is included to show unclaimed subject matter only and forms no part of the claimed design.

**1 Claim, 6 Drawing Sheets**

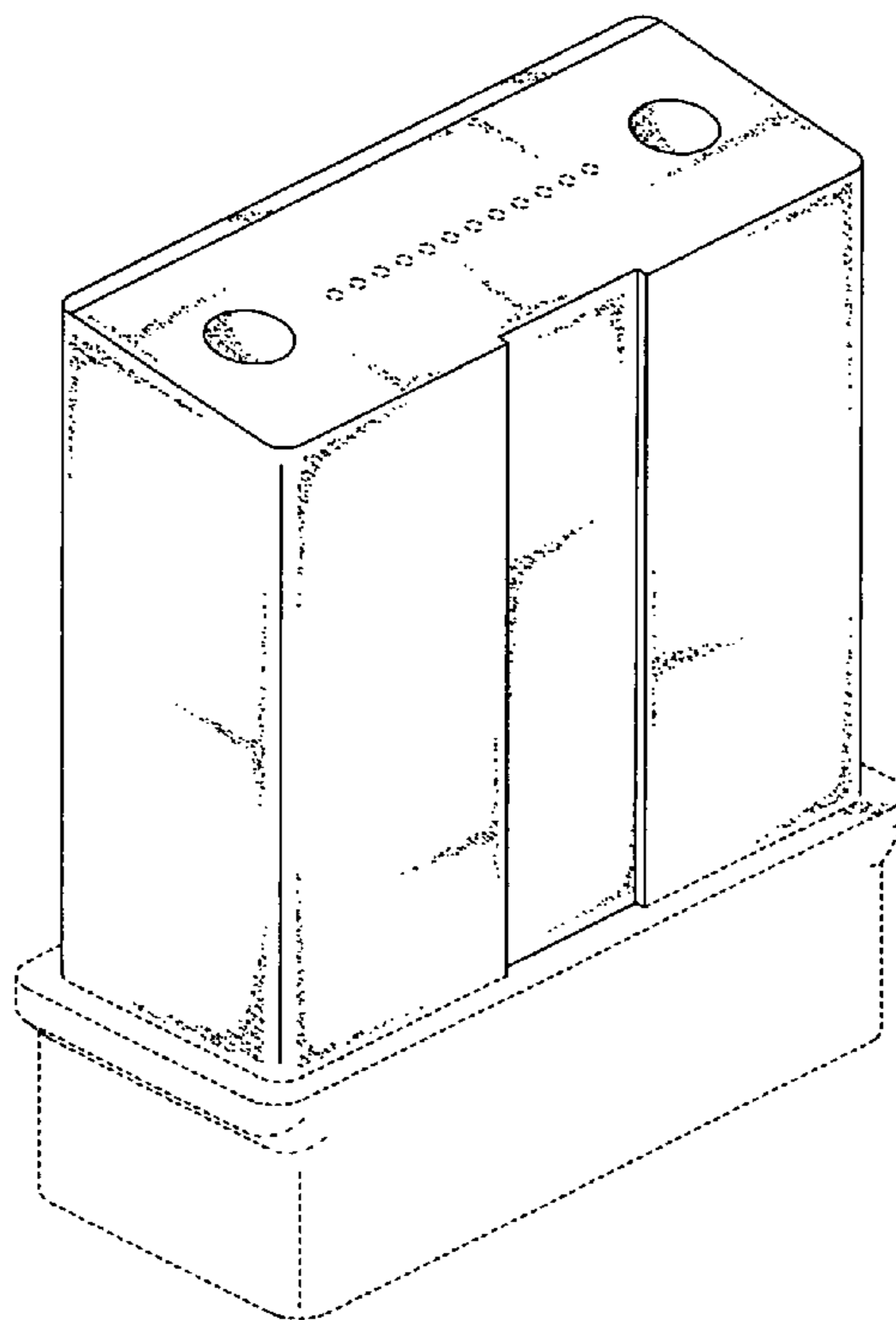


FIG. 1

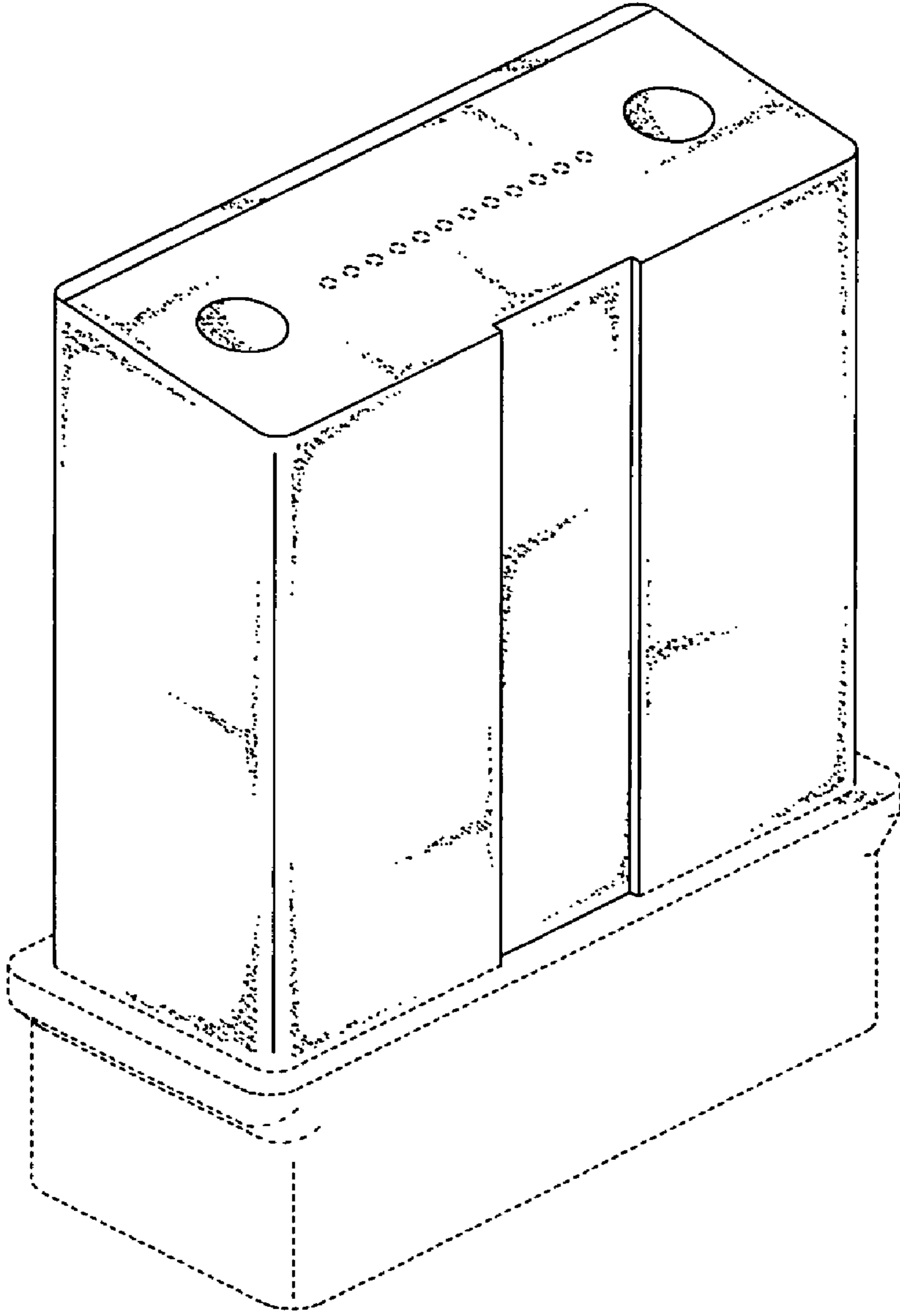


FIG. 2

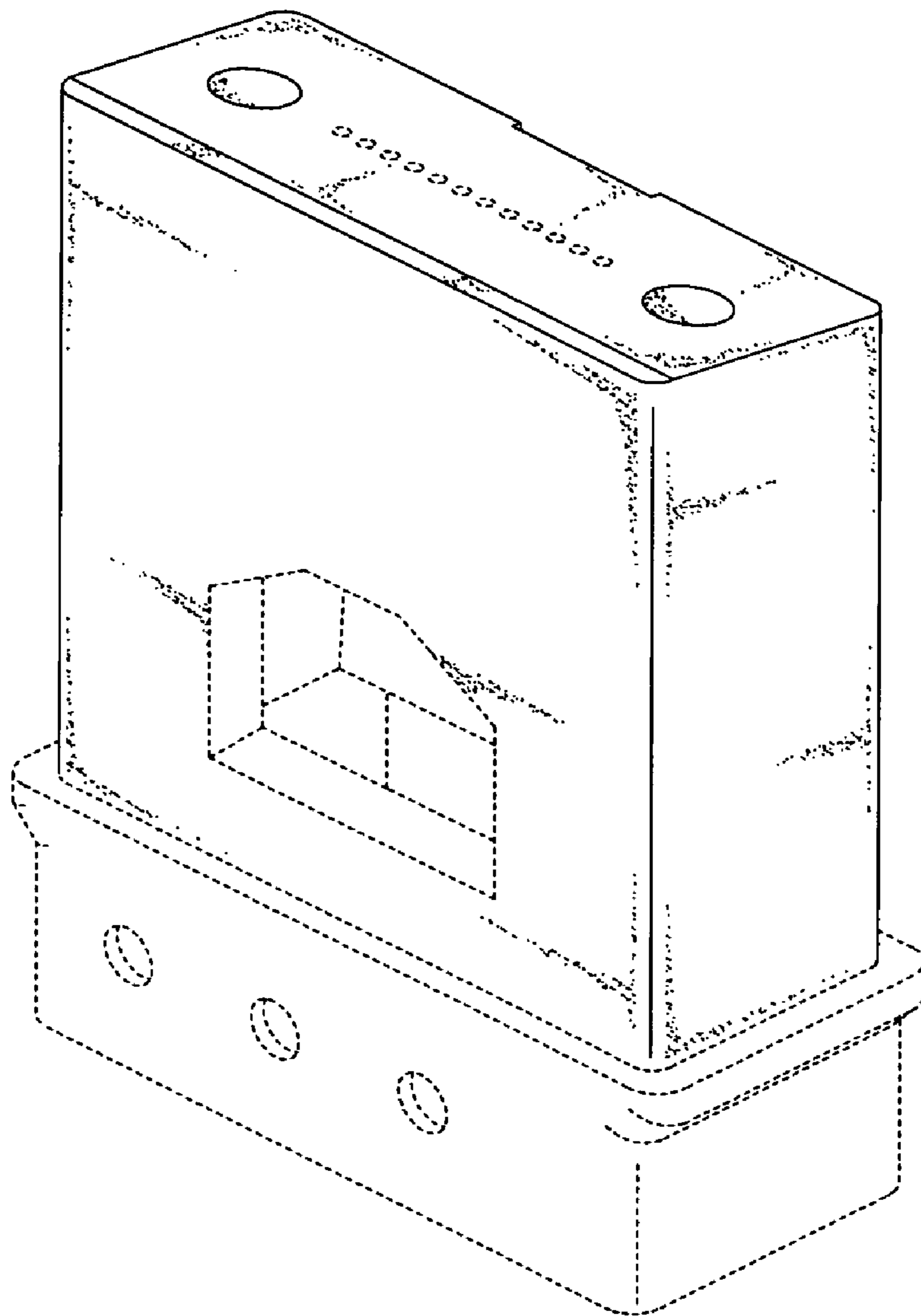


FIG. 3

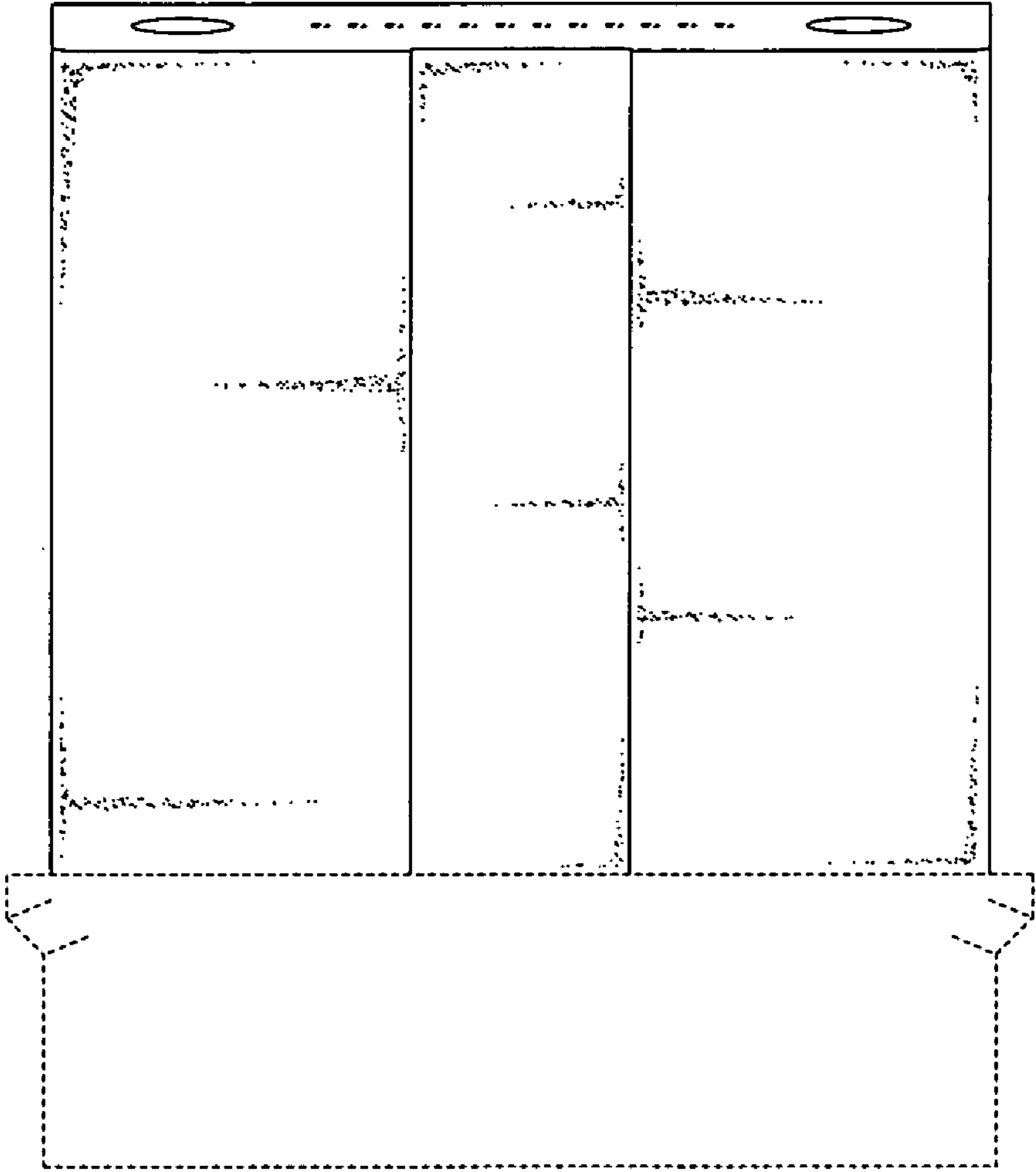


FIG. 4

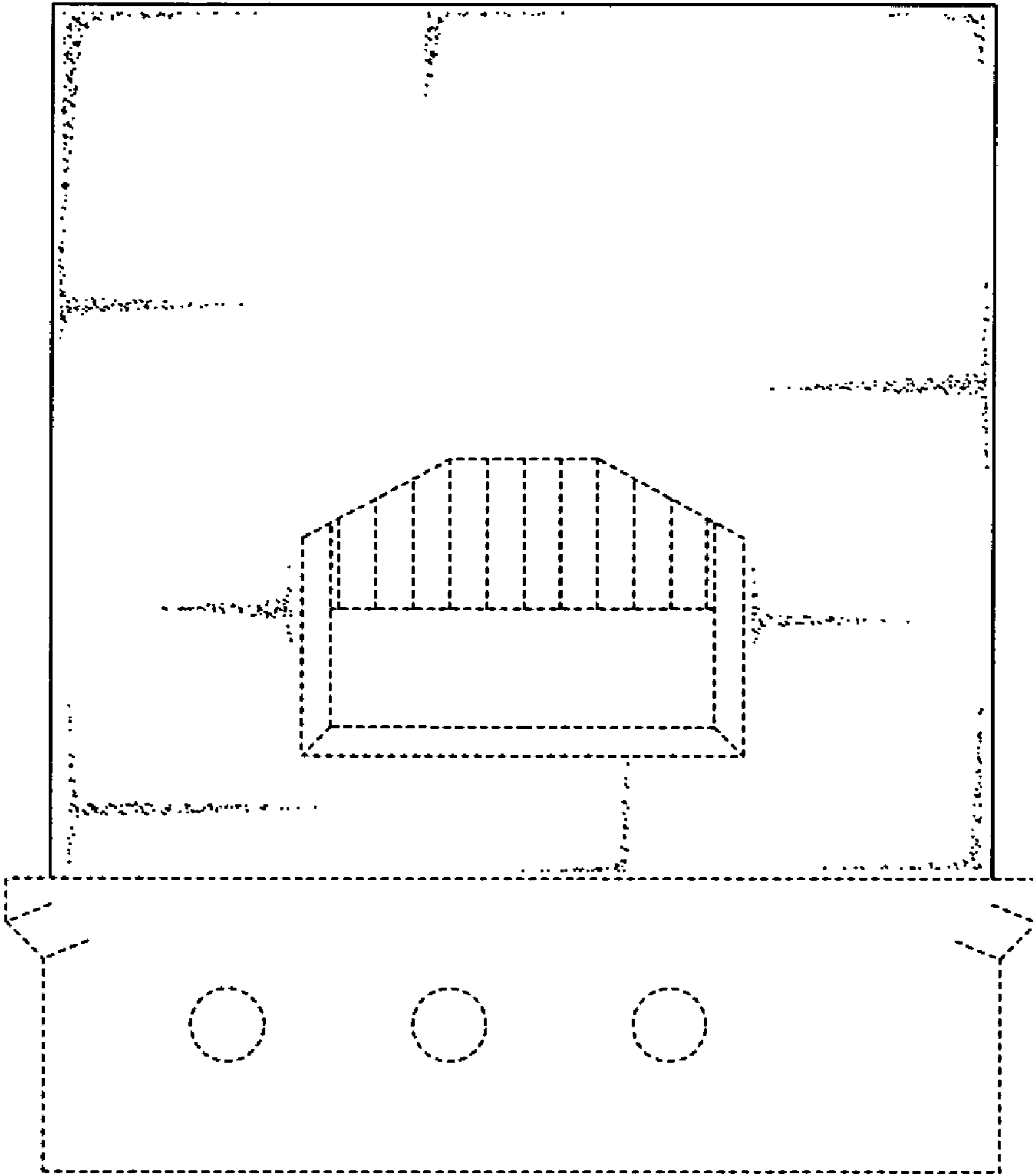


FIG. 5

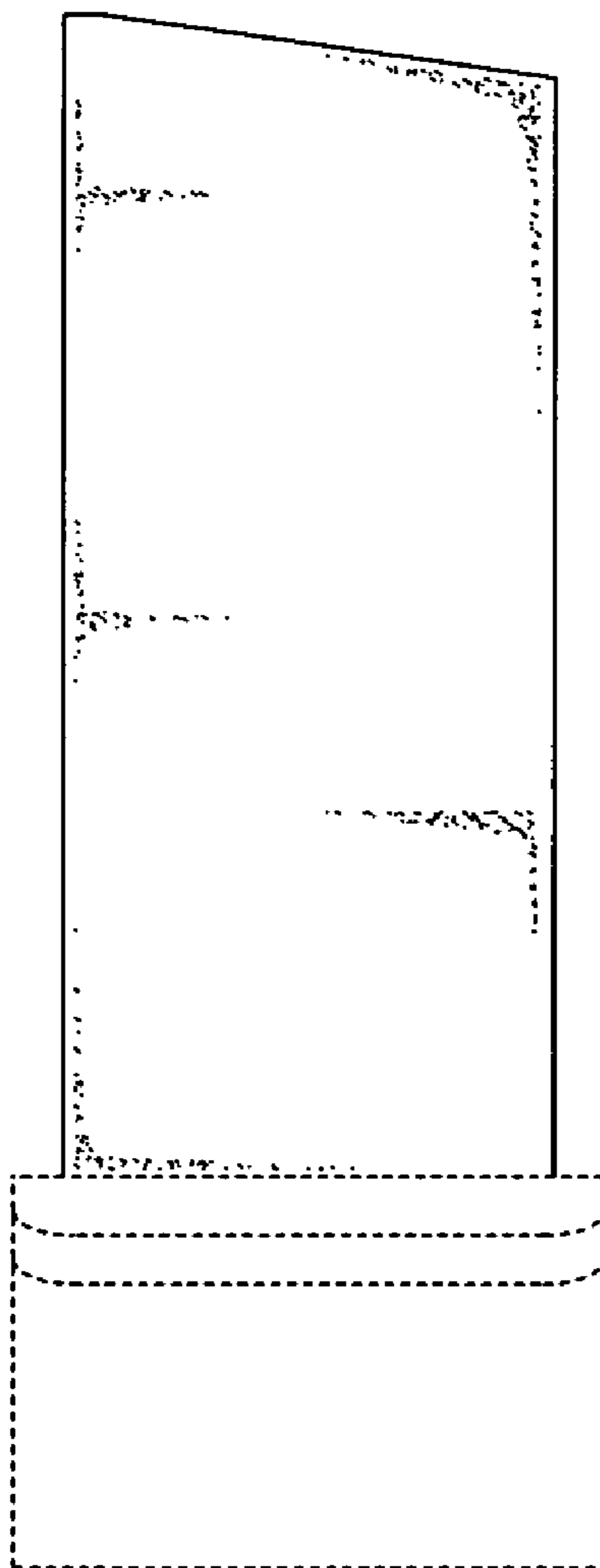


FIG. 6

