



US00D619529S

(12) **United States Design Patent**
Georges et al.

(10) **Patent No.:** **US D619,529 S**
(45) **Date of Patent:** **** Jul. 13, 2010**

(54) **TIRE**

(75) Inventors: **Francois Pierre Charles Gerard Georges**, Stavelot (BE); **Vincent Benoit Mathonet**, Habay la Neuve (BE); **Alain Joseph Jose Godefroid**, Meix-le-Tige (BE)

(73) Assignee: **The Goodyear Tire & Rubber Company**, Akron, OH (US)

(**) Term: **14 Years**

(21) Appl. No.: **29/331,395**

(22) Filed: **Jan. 26, 2009**

(51) **LOC (9) Cl.** **12-15**

(52) **U.S. Cl.** **D12/590**

(58) **Field of Classification Search** D12/568–603;
152/209.1, 209.5, 209.8, 209.12, 209.18,
152/209.21, 209.9

See application file for complete search history.

(56) **References Cited**

U.S. PATENT DOCUMENTS

D315,128 S	3/1991	Grass et al.	D12/147
D315,129 S	3/1991	Graas et al.	D12/147
D352,487 S	11/1994	Paulin et al.	D12/143
D382,519 S	8/1997	Young et al.	D12/143
D384,313 S	9/1997	Harden, Jr.	D12/147
D402,237 S	12/1998	Harris et al.	D12/142
D402,238 S	12/1998	Young et al.	D12/142
D403,626 S	1/1999	Harris et al.	D12/142
D428,368 S *	7/2000	Harris et al.	D12/586
D448,707 S	10/2001	Maziarka et al.	D12/147
D458,582 S	6/2002	Rodicq et al.	D12/586
D459,295 S	6/2002	Rodicq et al.	D12/590
D500,010 S	12/2004	Maziarka et al.	D12/590
D534,117 S	12/2006	Welbes et al.	D12/584
D555,081 S *	11/2007	Feider et al.	D12/588

D591,224 S *	4/2009	Ludwig et al.	D12/588
D601,085 S *	9/2009	Janesh et al.	D12/600
D609,169 S *	2/2010	Feider	D12/588
D609,170 S *	2/2010	Feider et al.	D12/588

* cited by examiner

Primary Examiner—Caron Veynar

Assistant Examiner—George D Kirschbaum

(74) *Attorney, Agent, or Firm*—Richard B. O’Planick

(57) **CLAIM**

The ornamental design for a tire, as shown and described.

DESCRIPTION

FIG. 1 is a perspective view of a tire showing our new design, it being understood that the pattern repeats uniformly throughout the circumference of the tread;

FIG. 2 is a front elevational view thereof;

FIG. 3 is a right side elevational view thereof; the opposite side elevational view being identical thereto;

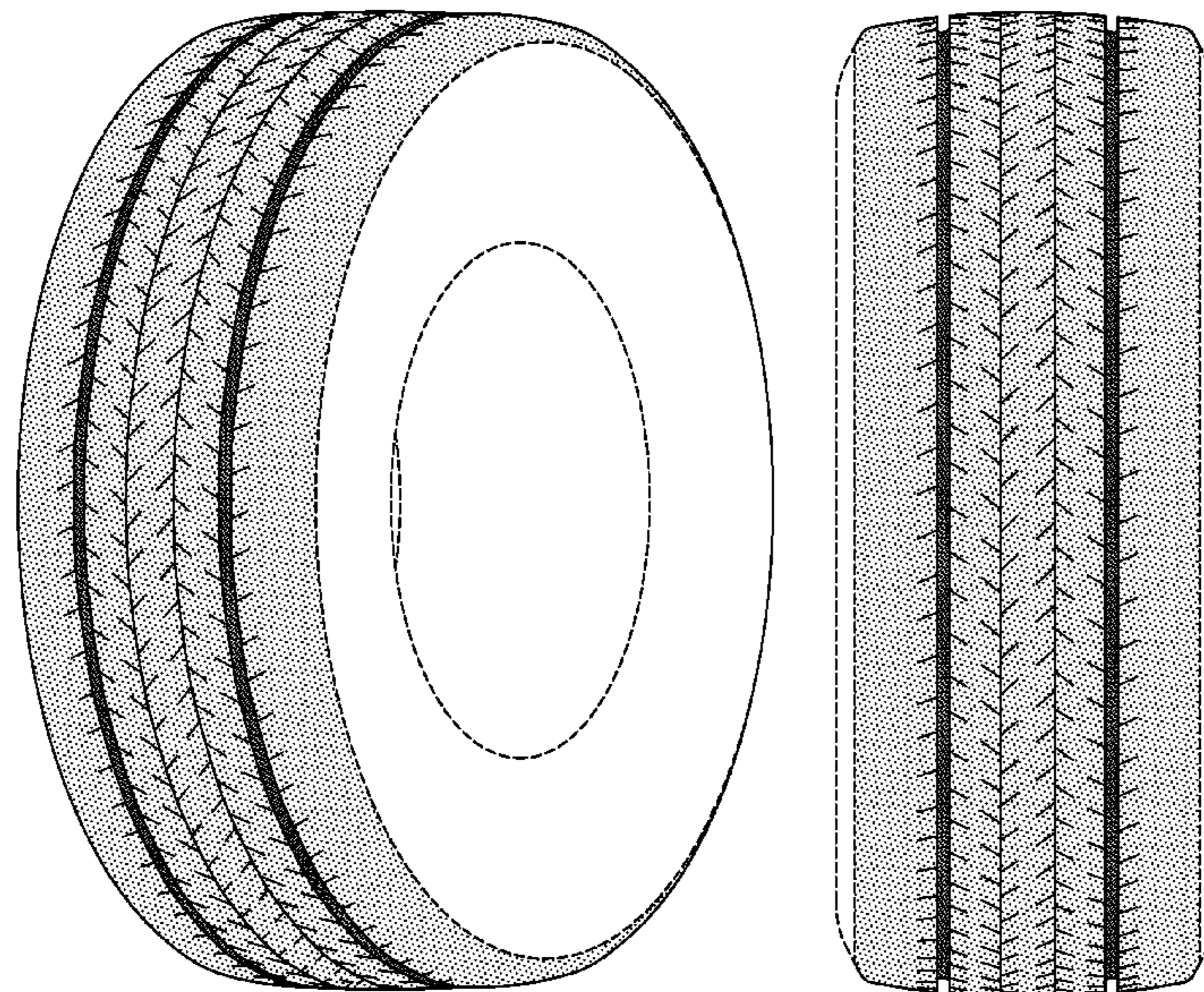
FIG. 4 is an enlarged fragmentary front elevational view thereof;

FIG. 5 is a perspective view of a second embodiment of a tire showing our new design, it being understood that the pattern repeats uniformly throughout the circumference of the tread and that the opposite side perspective view is identical thereto; and,

FIG. 6 is a front elevational view of a second embodiment, it being understood that an enlarged fragmentary view thereof would be substantially identical to that shown in FIG. 4, with the exception of the inclusion of the sidewall in solid lines.

In the drawings, the broken line showing of the sidewall, inner bead and the peripheral boundary between the tire tread and the sidewall in FIGS. 1 through 4 depict environmental subject matter and form no part of the claimed design.

1 Claim, 6 Drawing Sheets



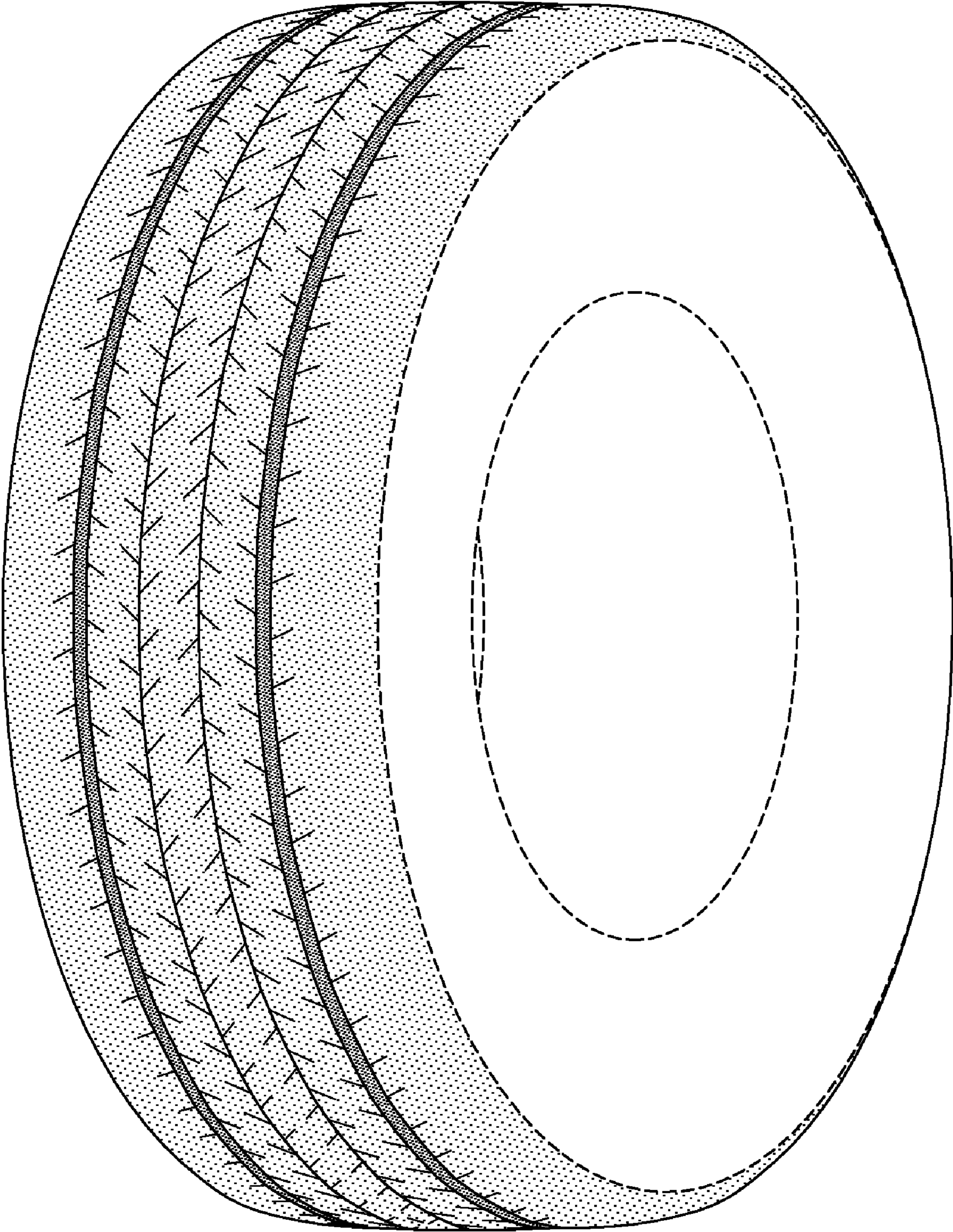


FIG-1

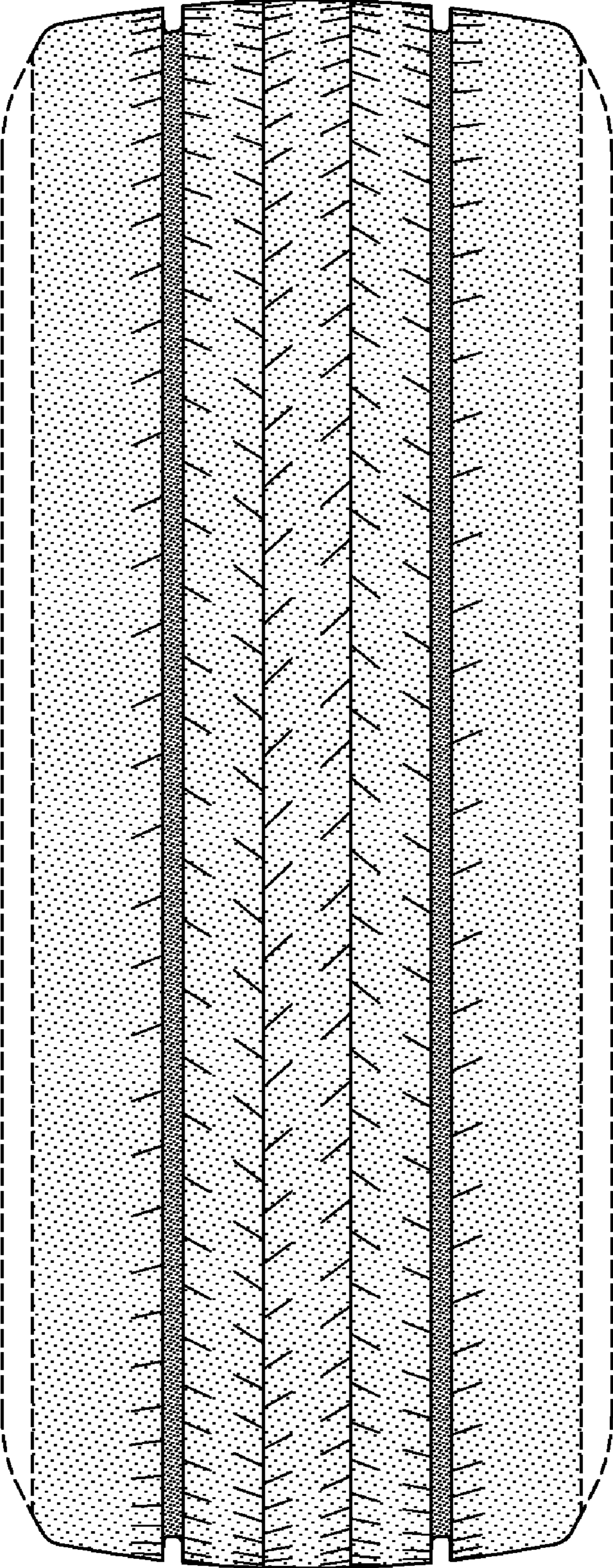


FIG-2

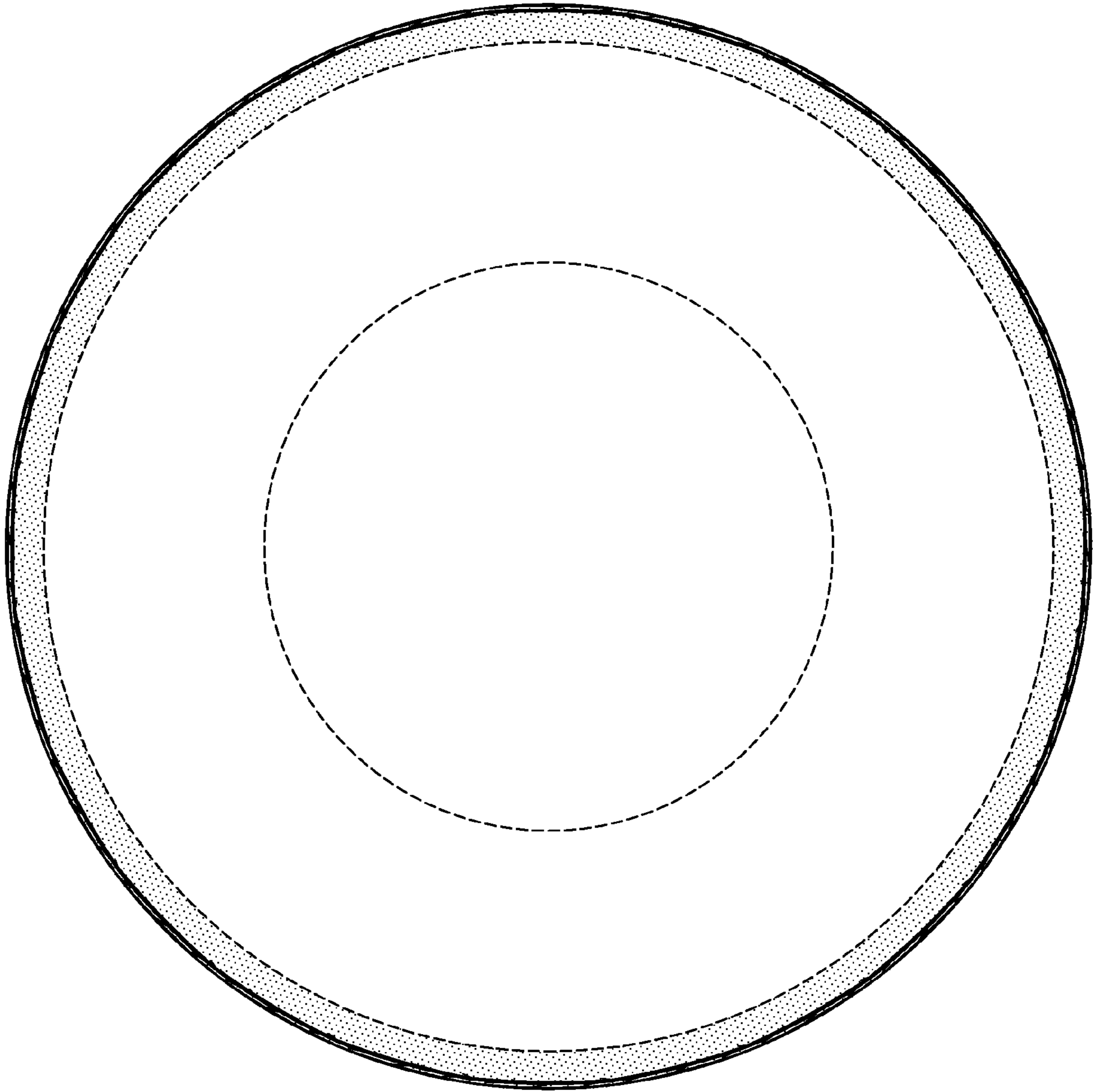


FIG-3

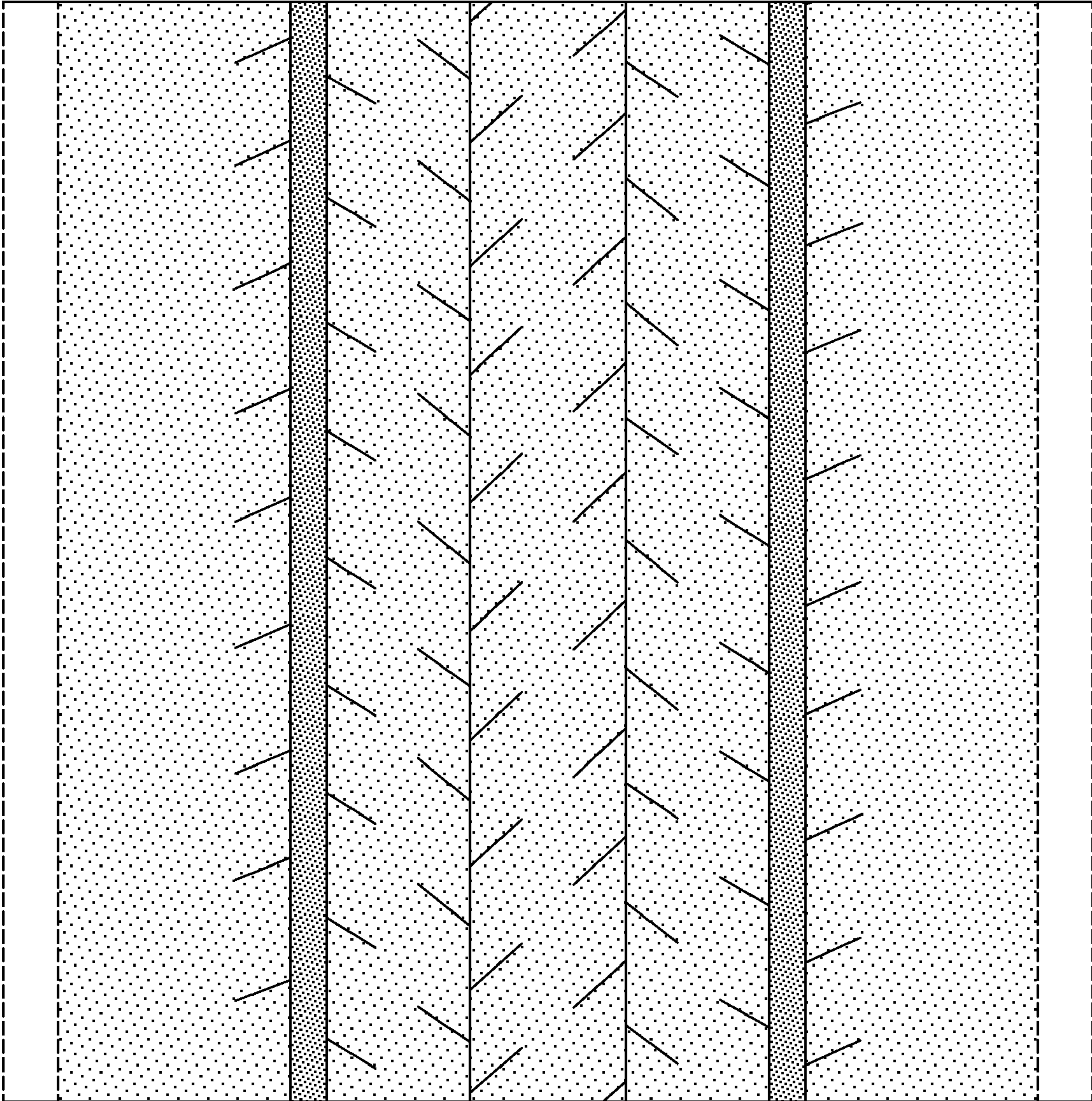


FIG-4

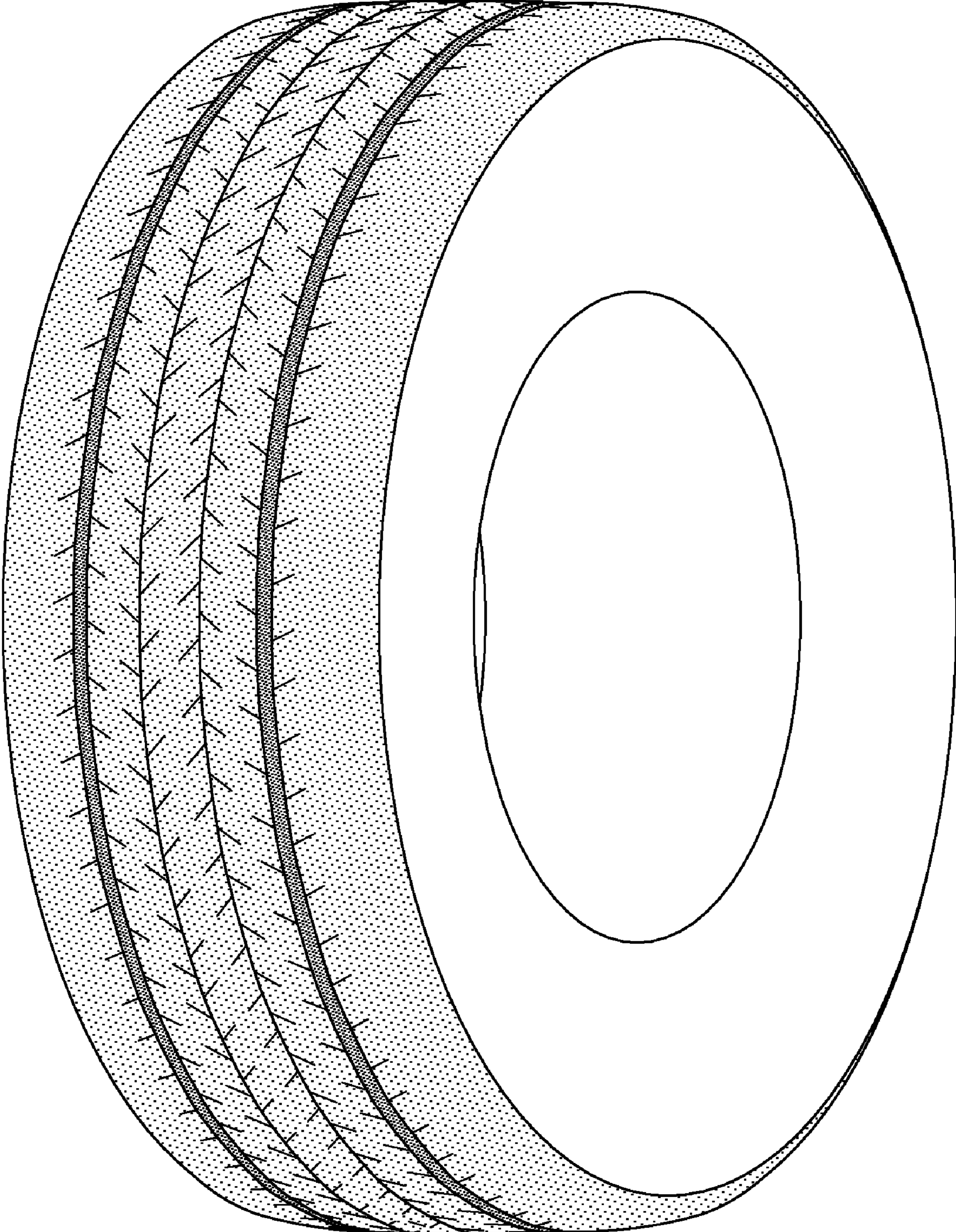


FIG-5

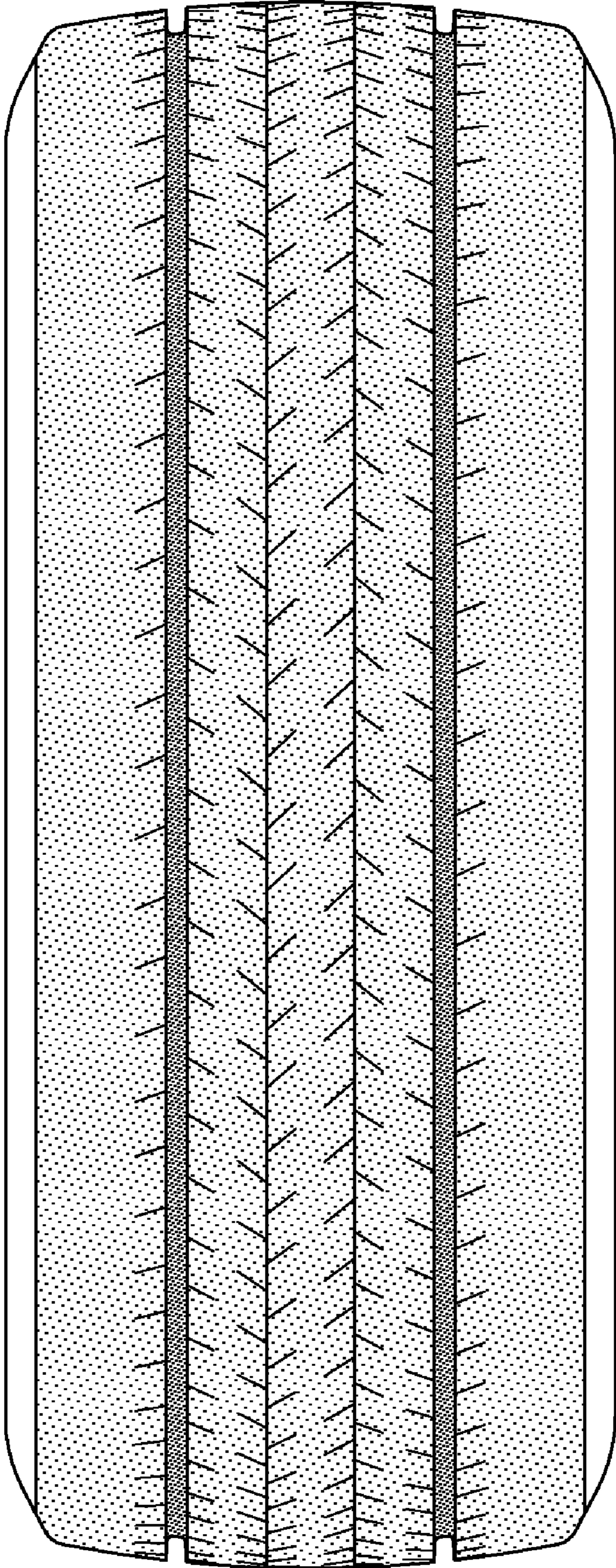


FIG-6