



US00D619524S

(12) **United States Design Patent**
Gabath

(10) **Patent No.:** **US D619,524 S**
(45) **Date of Patent:** **** Jul. 13, 2010**

(54) **WHEEL OR WHEEL COVER**

D584,209 S * 1/2009 Klimas D12/209

(75) Inventor: **Peter Gabath**, Jesenwang (DE)

(Continued)

(73) Assignee: **Bayerische Motoren Werke**
Aktiengesellschaft, Munich (DE)

FOREIGN PATENT DOCUMENTS

(**) Term: **14 Years**

DE M9200421.0 6/1992

(21) Appl. No.: **29/351,129**

(Continued)

(22) Filed: **Dec. 1, 2009**

Primary Examiner—Stacia Cadmus

(30) **Foreign Application Priority Data**

(74) *Attorney, Agent, or Firm*—Crowell & Moring LLP

Jun. 2, 2009 (DE) 402009002805

(57) **CLAIM**

(51) **LOC (9) Cl.** **12-16**

The ornamental design for a wheel or wheel cover, as shown and described.

(52) **U.S. Cl.** **D12/209**

(58) **Field of Classification Search** D12/204–213;
301/37.101, 64.101, 65, 64.201
See application file for complete search history.

DESCRIPTION

(56) **References Cited**

U.S. PATENT DOCUMENTS

- D384,630 S * 10/1997 Bhambra D12/209
- D402,249 S * 12/1998 Kulla D12/209
- D409,546 S * 5/1999 Stark D12/209
- D409,966 S * 5/1999 Chung D12/209
- D428,377 S * 7/2000 Kubosaki et al. D12/209
- D428,594 S * 7/2000 Neeper D12/209
- D445,749 S * 7/2001 Kuninari et al. D12/209
- D451,062 S * 11/2001 Yoshida D12/209
- D451,065 S * 11/2001 Braun D12/211
- D451,460 S * 12/2001 Arellano D12/209
- D453,132 S * 1/2002 Chen D12/209
- D455,693 S * 4/2002 Sato et al. D12/209
- D474,139 S 5/2003 Warming
- D493,405 S 7/2004 Boyer
- D499,681 S 12/2004 Boyer
- D504,096 S * 4/2005 Nakagawa et al. D12/209
- D508,671 S 8/2005 Baum
- D514,494 S * 2/2006 Scheu D12/209
- D531,950 S 11/2006 Huet
- D581,337 S 11/2008 Juergens et al.
- D584,208 S * 1/2009 Markefka D12/209

This application contains subject matter related to the following pending U.S. patent applications:

Application Ser. No. 29/350,139, filed Nov. 12, 2009 and entitled “Wheel or Wheel Cover”;

Application Ser. No. 29/351,128, filed herewith and entitled “Wheel or Wheel Cover”; and

Application Ser. No. 29/351,130, filed herewith and entitled “Wheel or Wheel Cover”.

FIG. 1 is a front view of a first embodiment of a wheel or wheel cover according to my design; and

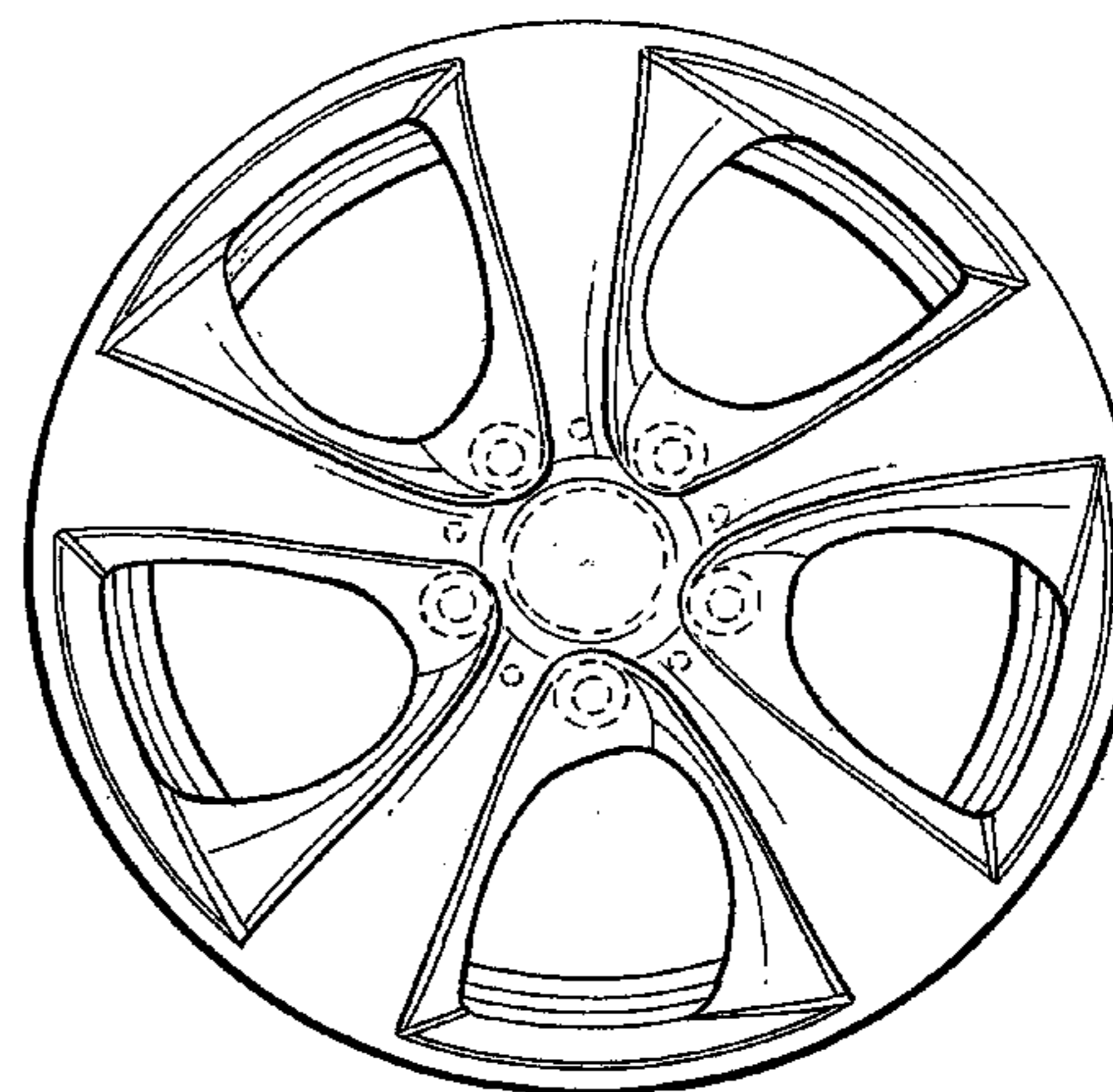
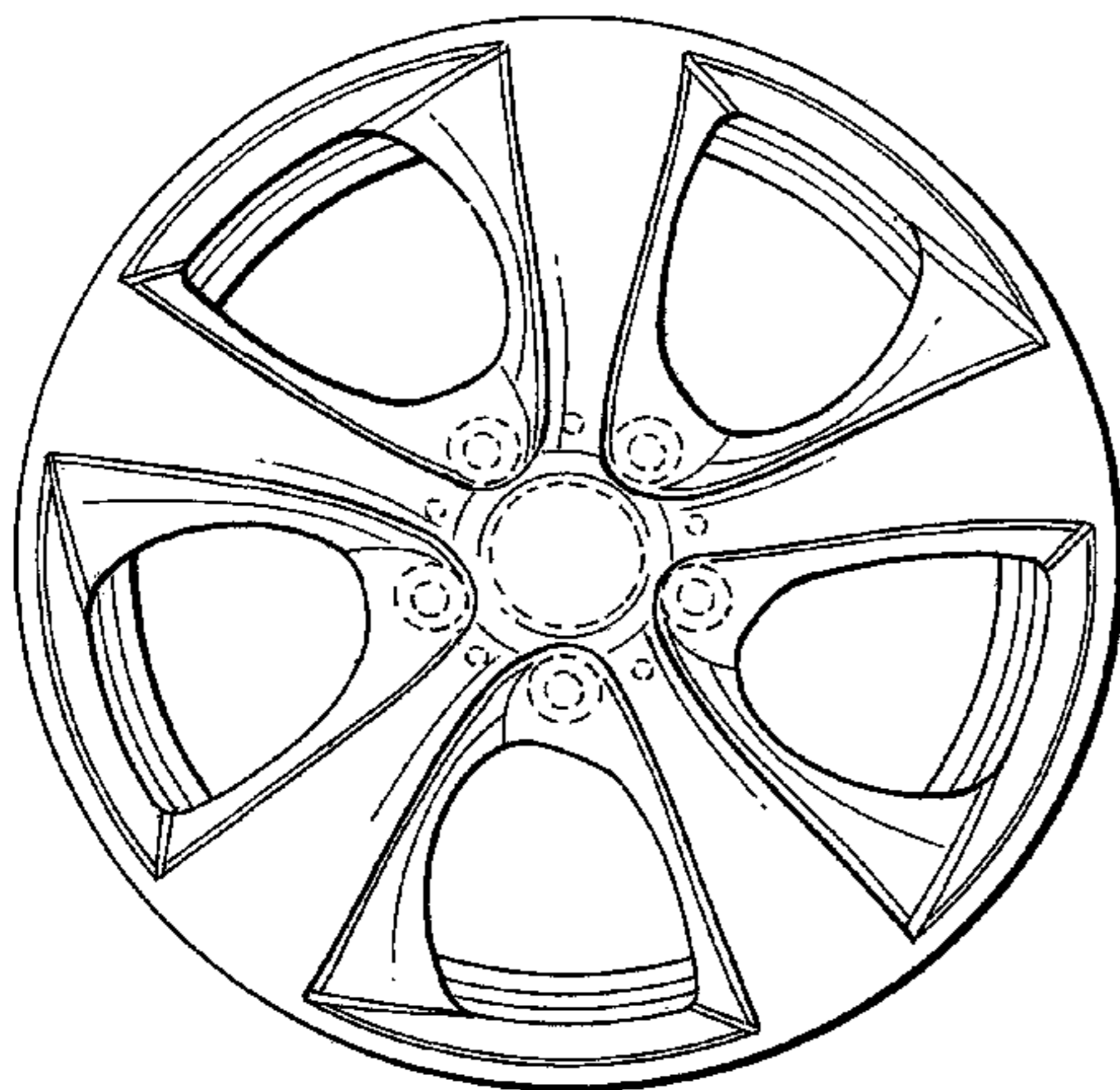
FIG. 2 is a perspective view thereof.

FIG. 3 is a front view of a second embodiment of the wheel or wheel cover according to my design; and,

FIG. 4 is a perspective view thereof.

The broken line showing of the rear of the rim and the bolt holes and center hole in the central hub area is included for the purpose of illustrating environment and forms no part of the claimed design.

1 Claim, 2 Drawing Sheets



US D619,524 S

Page 2

U.S. PATENT DOCUMENTS				EM		
				EM	000032438-0007	10/2003
D589,863	S	*	4/2009 Huet D12/209	EM	000090410-0004	3/2004
D593,476	S		6/2009 Juergens et al.	EM	000062591-0002	5/2004
D594,800	S		6/2009 Blasi	EM	000491592-0004	4/2007
D608,712	S	*	1/2010 Pollmann D12/209	EM	000889951-0001	4/2008
				EM	000997572-0003	10/2008
				EM	001621541-0002	10/2009
FOREIGN PATENT DOCUMENTS				EM		
DE	40106965.6		1/2002			

* cited by examiner

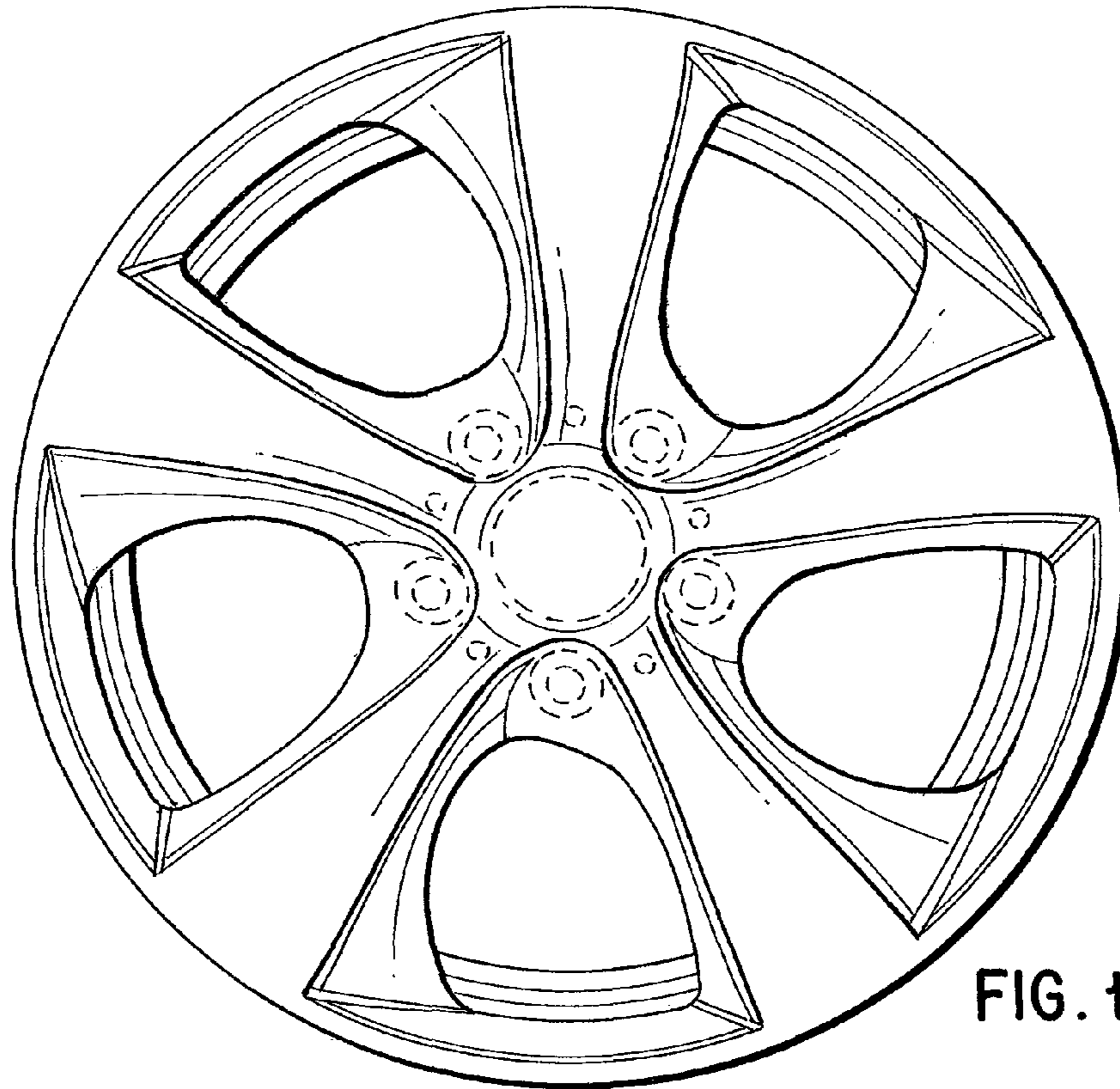


FIG. 1

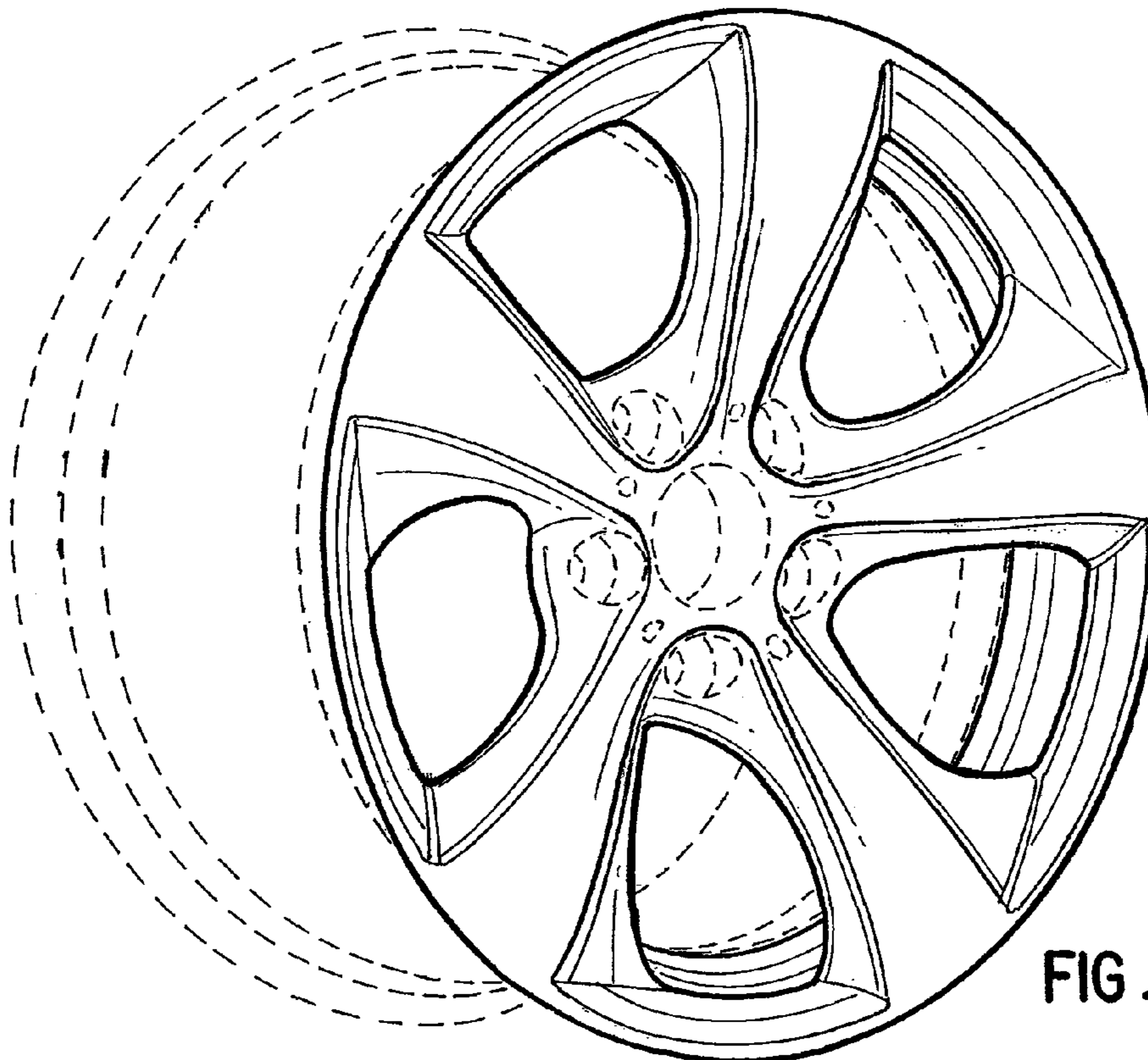


FIG. 2

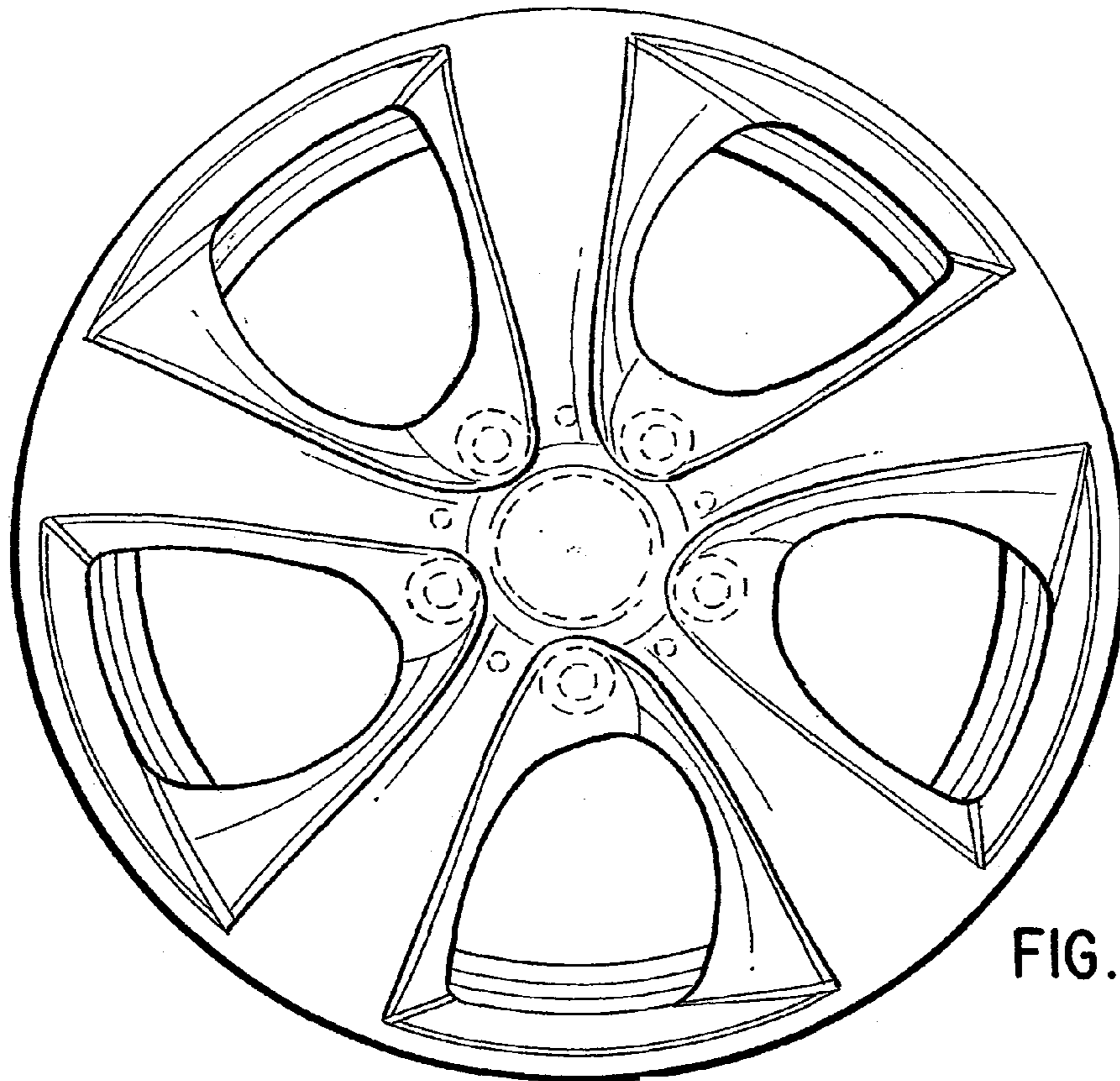


FIG. 3

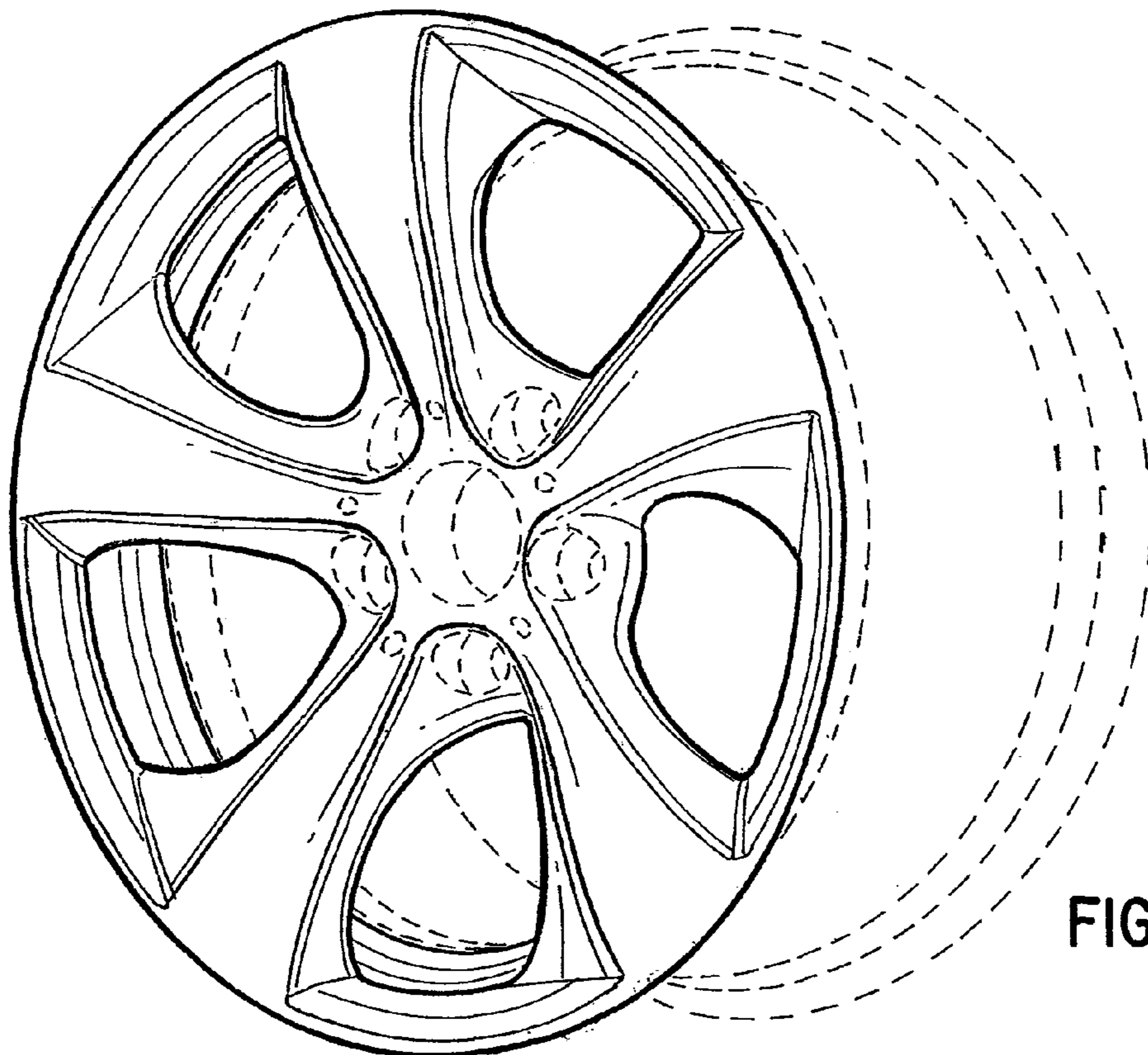


FIG. 4