



US00D619523S

(12) **United States Design Patent**  
**Gallert**

(10) **Patent No.:** **US D619,523 S**  
(45) **Date of Patent:** **\*\* Jul. 13, 2010**

(54) **AUTOMOBILE WHEEL**

(75) Inventor: **Michael Gallert**, Stuttgart (DE)

(73) Assignee: **Dr. Ing. h.c. F. Porsche AG**, Stuttgart (DE)

(\*\*) Term: **14 Years**

(21) Appl. No.: **29/341,342**

(22) Filed: **Aug. 4, 2009**

(30) **Foreign Application Priority Data**

Feb. 28, 2009 (DE) ..... 40 2009 001 039

(51) **LOC (9) Cl.** ..... **12-16**

(52) **U.S. Cl.** ..... **D12/209**

(58) **Field of Classification Search** ..... D12/204-213;  
301/37.101, 64.101, 65, 64.201  
See application file for complete search history.

(56) **References Cited**

**U.S. PATENT DOCUMENTS**

- D522,432 S \* 6/2006 Pfeiffer ..... D12/209
- D522,434 S \* 6/2006 Langer ..... D12/209
- D526,610 S \* 8/2006 Muzzarelli ..... D12/211

- D540,238 S \* 4/2007 Sycha ..... D12/209
- D548,160 S \* 8/2007 Viandante ..... D12/209
- D570,761 S \* 6/2008 Antoniadis et al. .... D12/211
- D582,331 S \* 12/2008 Blasi ..... D12/209
- D587,181 S \* 2/2009 Musser ..... D12/209
- D589,428 S \* 3/2009 Scheu ..... D12/211
- D590,757 S \* 4/2009 Froehlich ..... D12/209
- D598,834 S \* 8/2009 Juergens et al. .... D12/209
- D608,713 S \* 1/2010 Bucher et al. .... D12/209
- D609,154 S \* 2/2010 Rider et al. .... D12/209

\* cited by examiner

*Primary Examiner*—Stacia Cadmus

(57) **CLAIM**

The ornamental design for an automobile wheel, as shown and described.

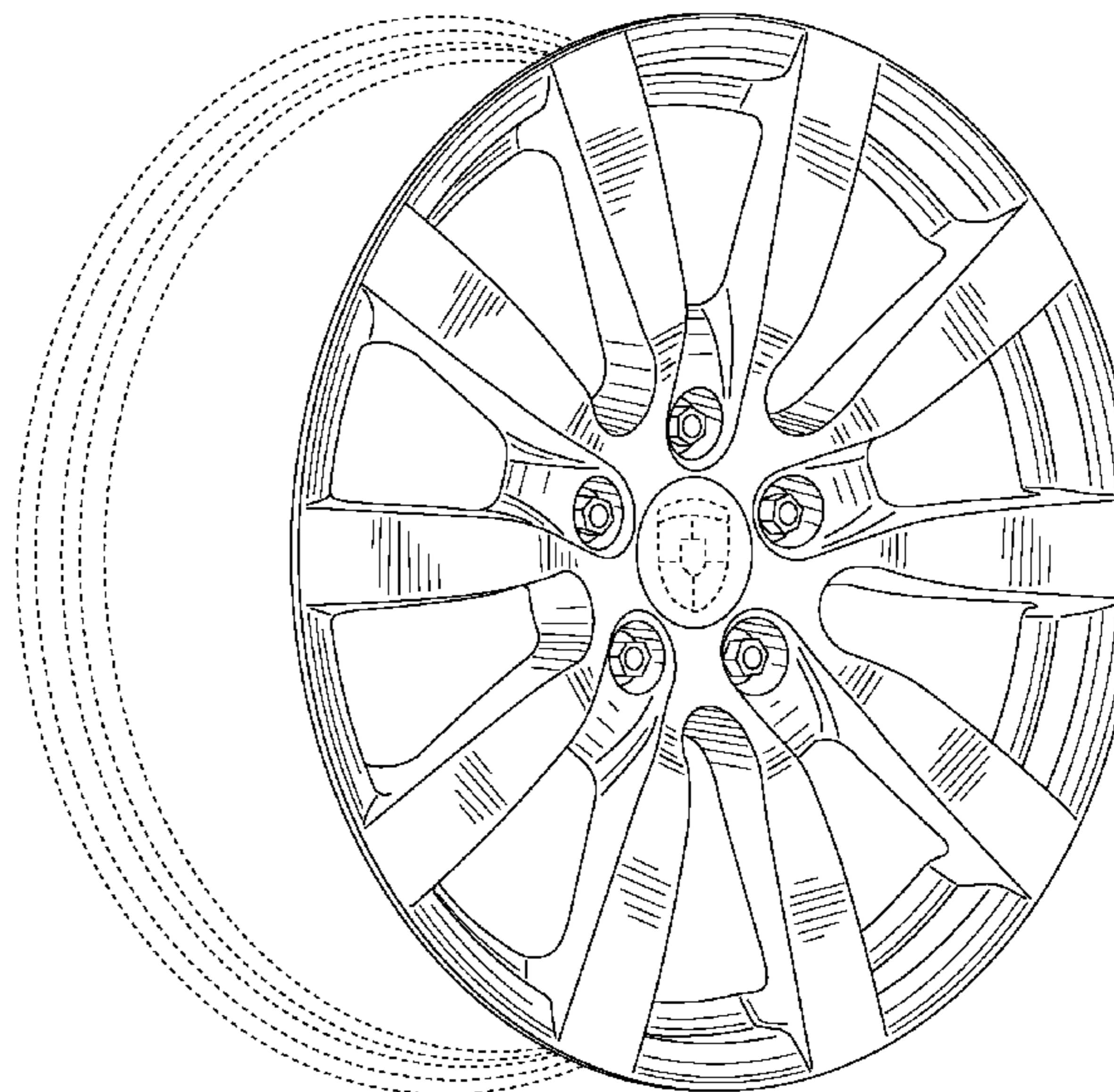
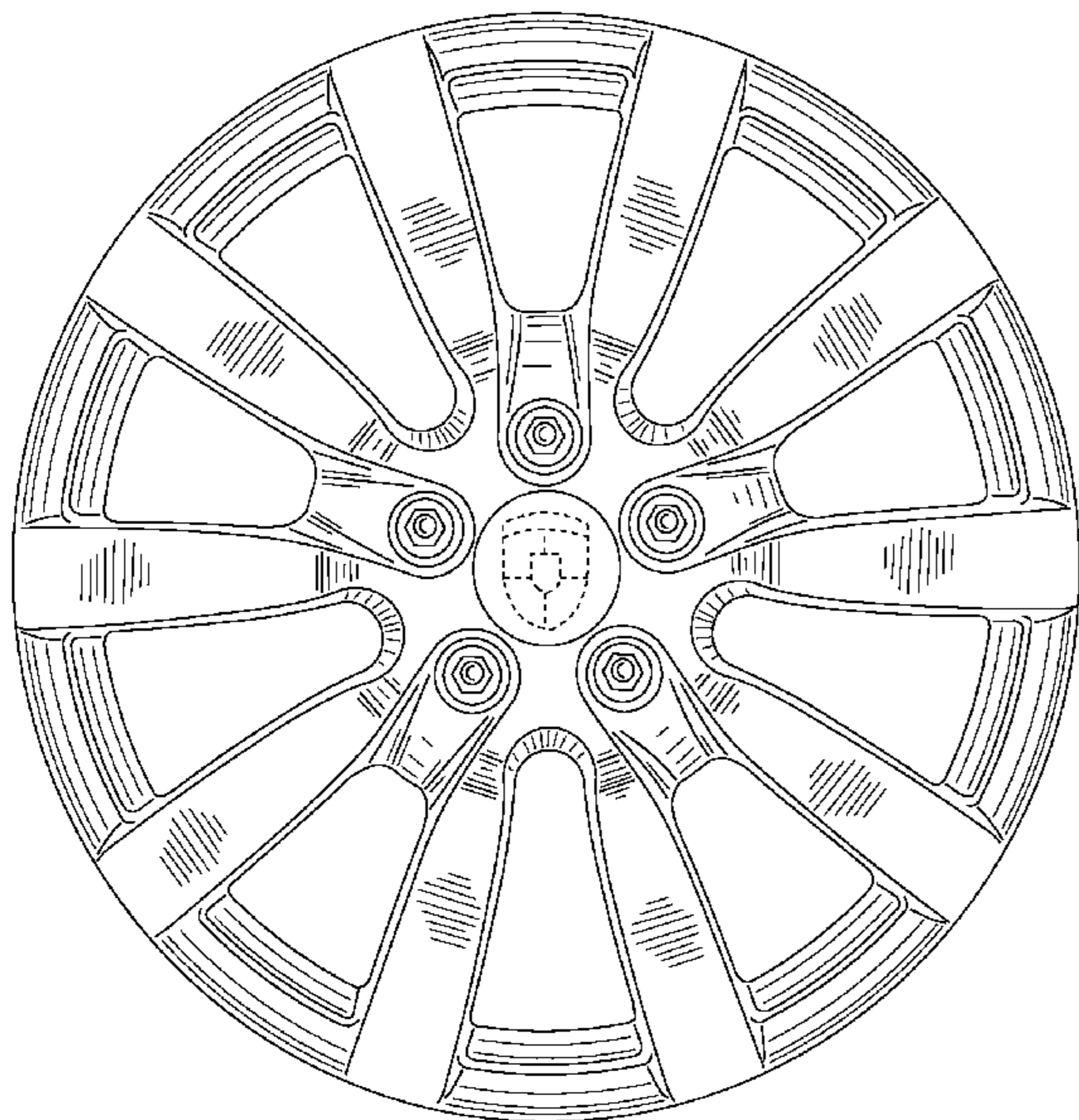
**DESCRIPTION**

FIG. 1 is a front elevational view of an automobile wheel, showing my new design; and,

FIG. 2 is a perspective view thereof.

In the drawings, the broken lines show environmental subject matter which forms no part of the claim.

**1 Claim, 2 Drawing Sheets**



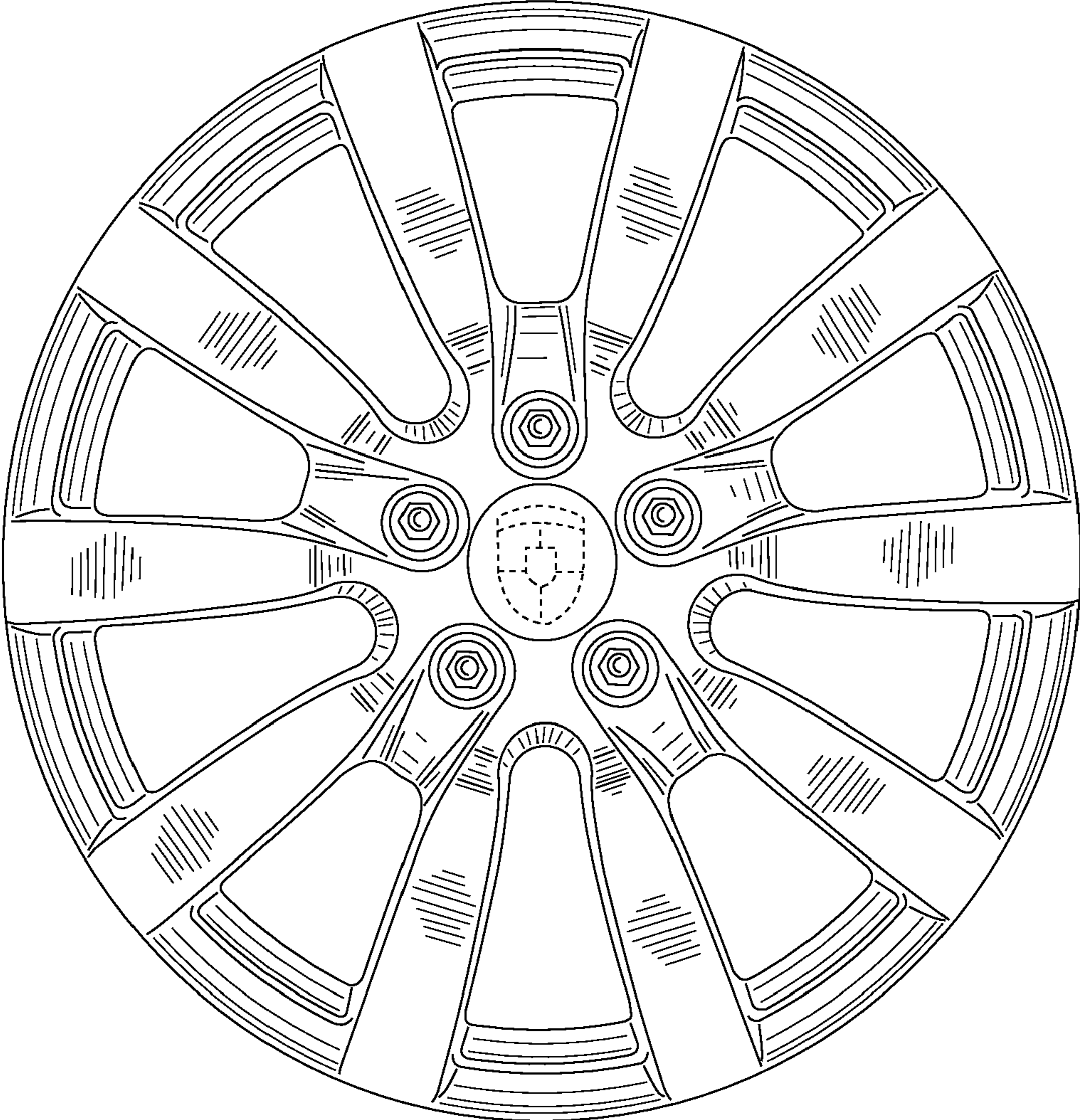


FIG. 1

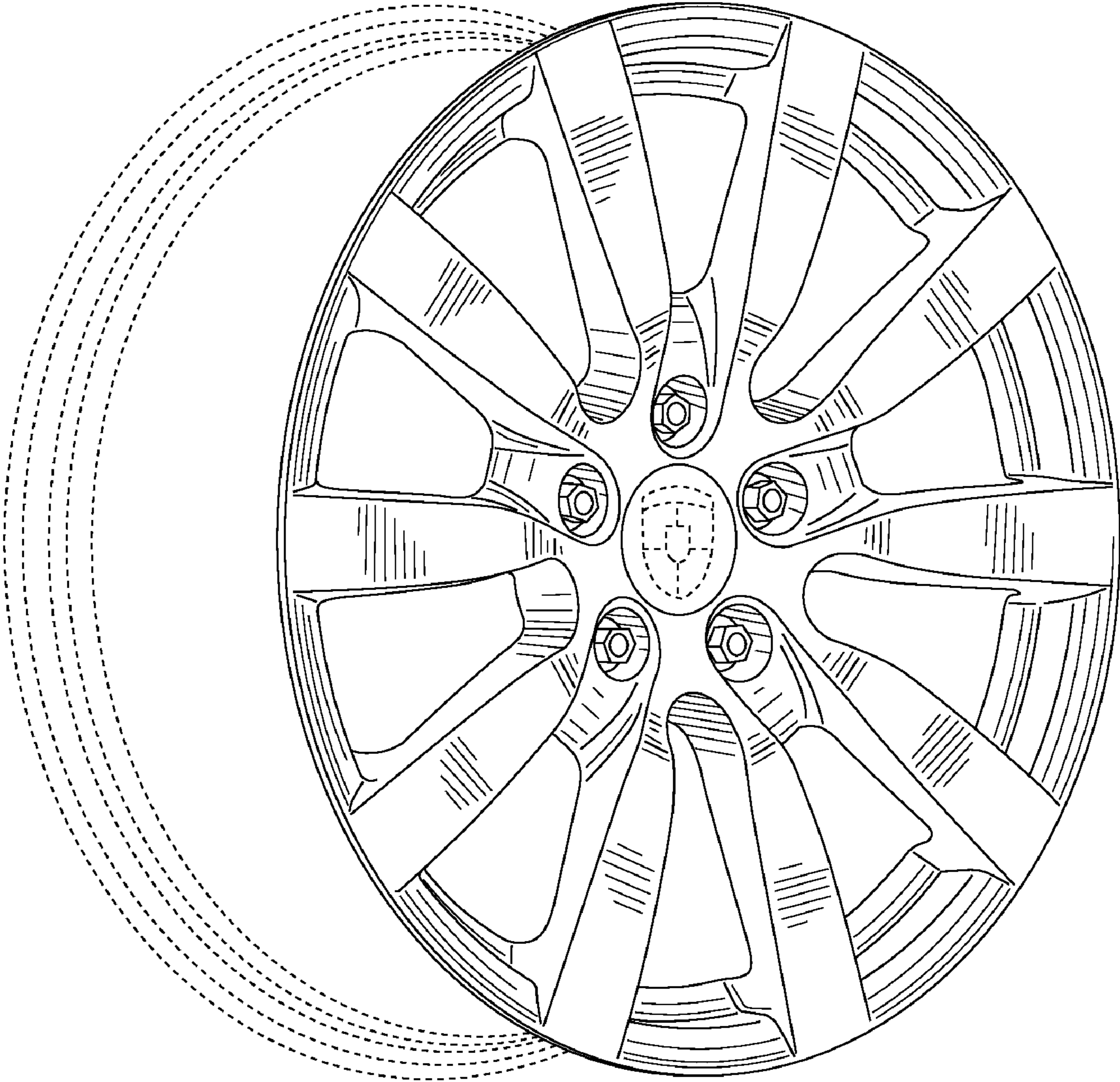


FIG. 2