



US00D619521S

(12) **United States Design Patent**
Schmitz et al.

(10) **Patent No.:** **US D619,521 S**
(45) **Date of Patent:** **** Jul. 13, 2010**

(54) **INNER PORTION OF A BRAKE ROTOR**

(75) Inventors: **Johann Schmitz**, Wurlmingen (DE);
Ingo Hoffmann, Tuttlingen (DE)

(73) Assignee: **Schwäbische Hüttenwerke Automotive GmbH & Co. KG** (DE)

(**) Term: **14 Years**

(21) Appl. No.: **29/339,661**

(22) Filed: **Jul. 6, 2009**

D465,179 S *	11/2002	Ballinger	D12/180
D482,643 S *	11/2003	Gavin	D12/180
D484,836 S *	1/2004	Gavin	D12/180
7,159,698 B2 *	1/2007	Banks et al.	188/218 XL
D565,487 S	4/2008	Zhang	
2006/0086579 A1 *	4/2006	Gerber	188/218 XL
2006/0124410 A1 *	6/2006	Drage	188/218 XL
2007/0199778 A1 *	8/2007	Lee	188/218 XL
2008/0135359 A1 *	6/2008	Basirico et al.	188/218 XL
2009/0000884 A1 *	1/2009	Layton et al.	188/218 XL
2009/0020379 A1 *	1/2009	Hanna et al.	188/218 XL

Related U.S. Application Data

(62) Division of application No. 29/319,669, filed on Jun. 12, 2008, now Pat. No. Des. 603,314.

Foreign Application Priority Data

Dec. 12, 2007 (DE) 407 06 127

(51) **LOC (9) Cl.** **12-16**

(52) **U.S. Cl.** **D12/180**

(58) **Field of Classification Search** D12/179-180;
188/218 XL, 264 R, 26, 73, 1, 24.22, 73.31-73.43
See application file for complete search history.

References Cited

U.S. PATENT DOCUMENTS

D458,882 S * 6/2002 Oberti D12/180

* cited by examiner

Primary Examiner—Antoine D Davis

(74) *Attorney, Agent, or Firm*—GrayRobinson, P.A.

CLAIM

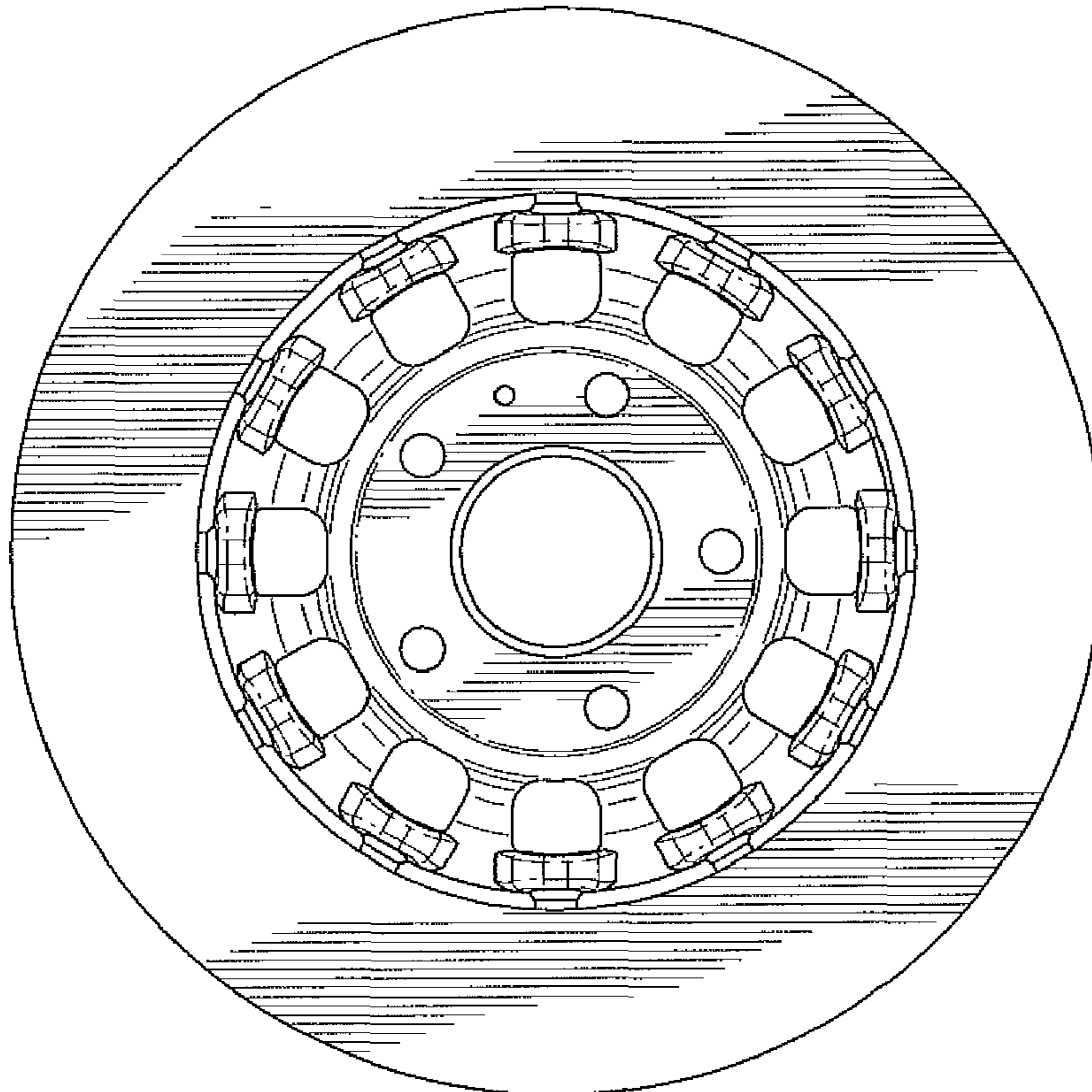
The ornamental design of an inner portion of a brake rotor, as shown and described.

DESCRIPTION

FIG. 1 is a front elevational view of a first embodiment thereof; and,

FIG. 2 is a perspective view of the embodiment of FIG. 1.

1 Claim, 1 Drawing Sheet



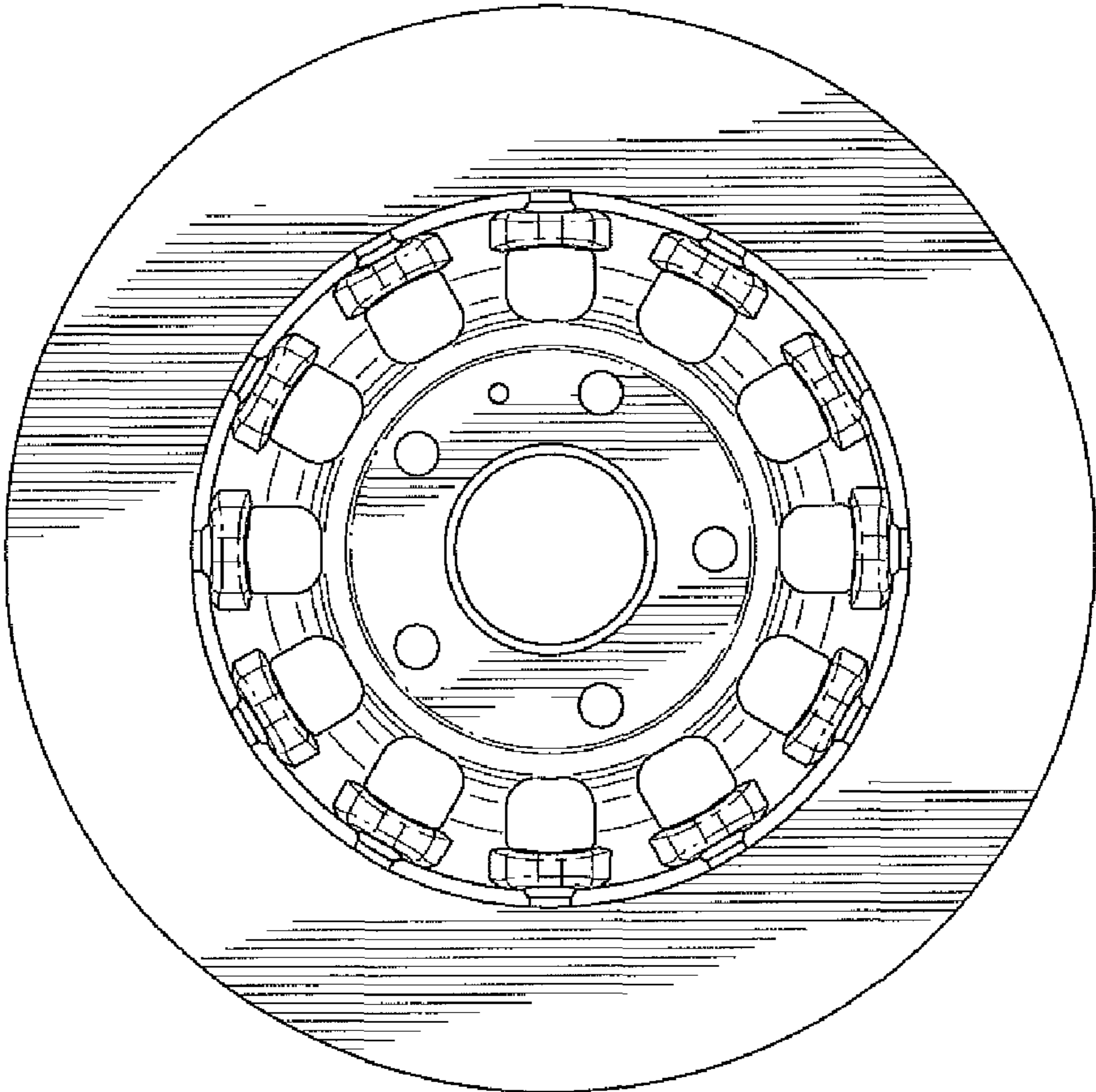


FIG. 1

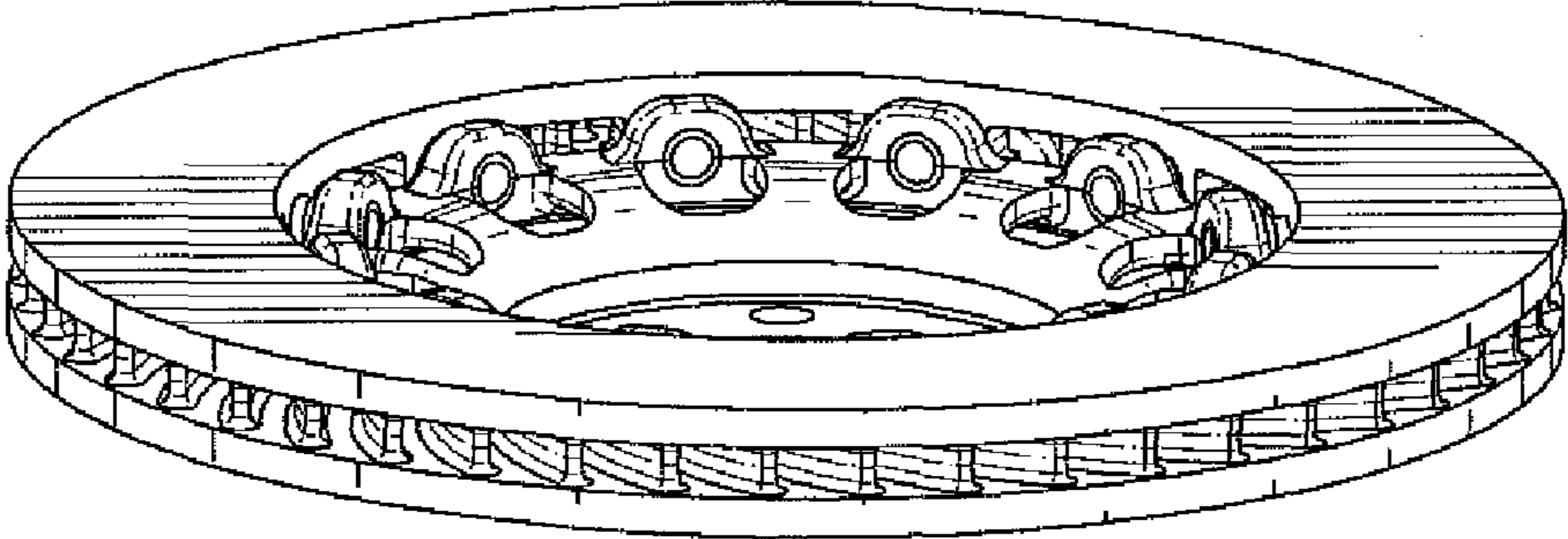


FIG. 2