



US00D619519S

(12) **United States Design Patent**  
**Granata**

(10) **Patent No.:** **US D619,519 S**

(45) **Date of Patent:** **\*\* Jul. 13, 2010**

(54) **STEERING WHEEL FOR A BOAT**

D445,740 S \* 7/2001 Hartog ..... D12/177  
D461,435 S \* 8/2002 Johnson ..... D12/176

(75) Inventor: **Peter Granata**, Hilton Head Island, SC  
(US)

\* cited by examiner

(73) Assignee: **Grant Products International, Inc.**,  
Duarte, CA (US)

*Primary Examiner*—Melody N Brown  
(74) *Attorney, Agent, or Firm*—Venable LLP; Stefan J.  
Kirchanski

(\*\*) Term: **14 Years**

(57) **CLAIM**

(21) Appl. No.: **29/344,995**

The ornamental design for a steering wheel for a boat, as  
shown and described.

(22) Filed: **Oct. 7, 2009**

(51) **LOC (9) Cl.** ..... **12-16**

(52) **U.S. Cl.** ..... **D12/176**

(58) **Field of Classification Search** ..... D12/175,  
D12/176; 74/552, 558, 558.5

See application file for complete search history.

**DESCRIPTION**

FIG. 1 is a top left perspective view of a steering wheel for a  
boat showing my design;

FIG. 2 is a front view thereof;

FIG. 3 is a rear view thereof;

FIG. 4 is a left side view thereof;

FIG. 5 is a right side view thereof;

FIG. 6 is a top view thereof; and,

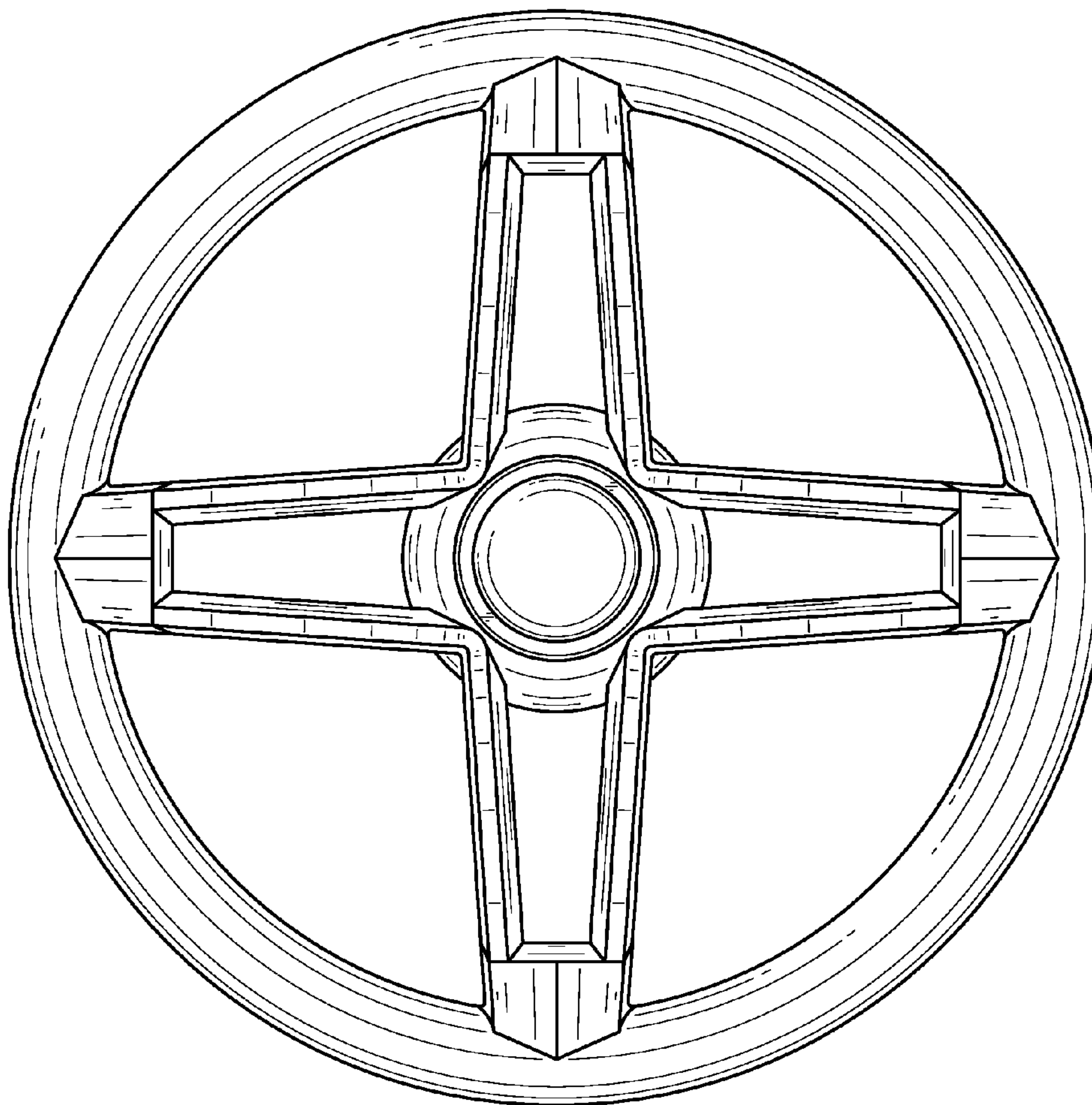
FIG. 7 is a bottom view thereof.

(56) **References Cited**

U.S. PATENT DOCUMENTS

- D356,765 S \* 3/1995 DiMatteo ..... D12/176
- D367,837 S \* 3/1996 Harding ..... D12/176
- D369,136 S \* 4/1996 Harding ..... D12/176
- D442,129 S \* 5/2001 Schmitt ..... D12/176

**1 Claim, 5 Drawing Sheets**



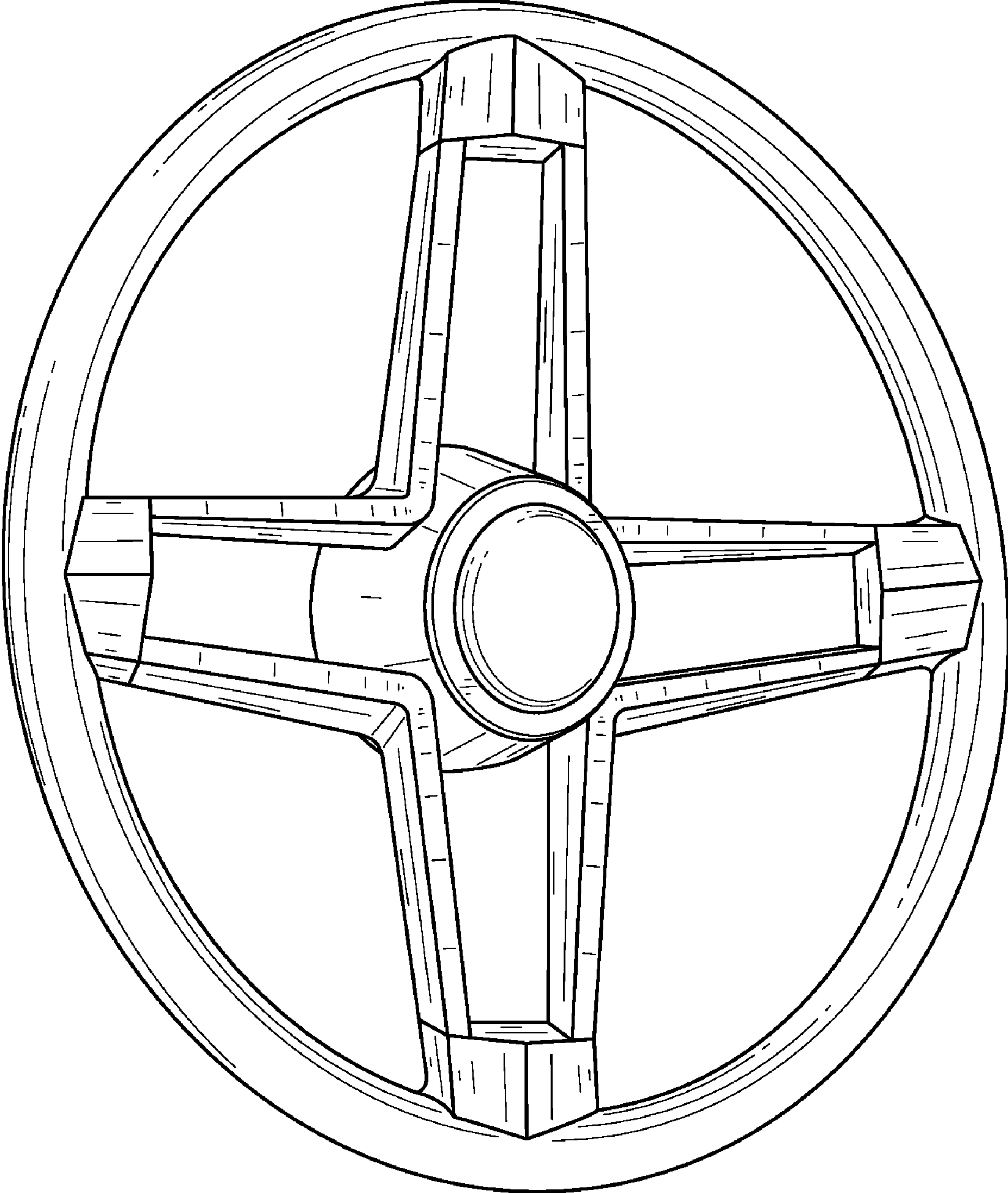


FIG. 1

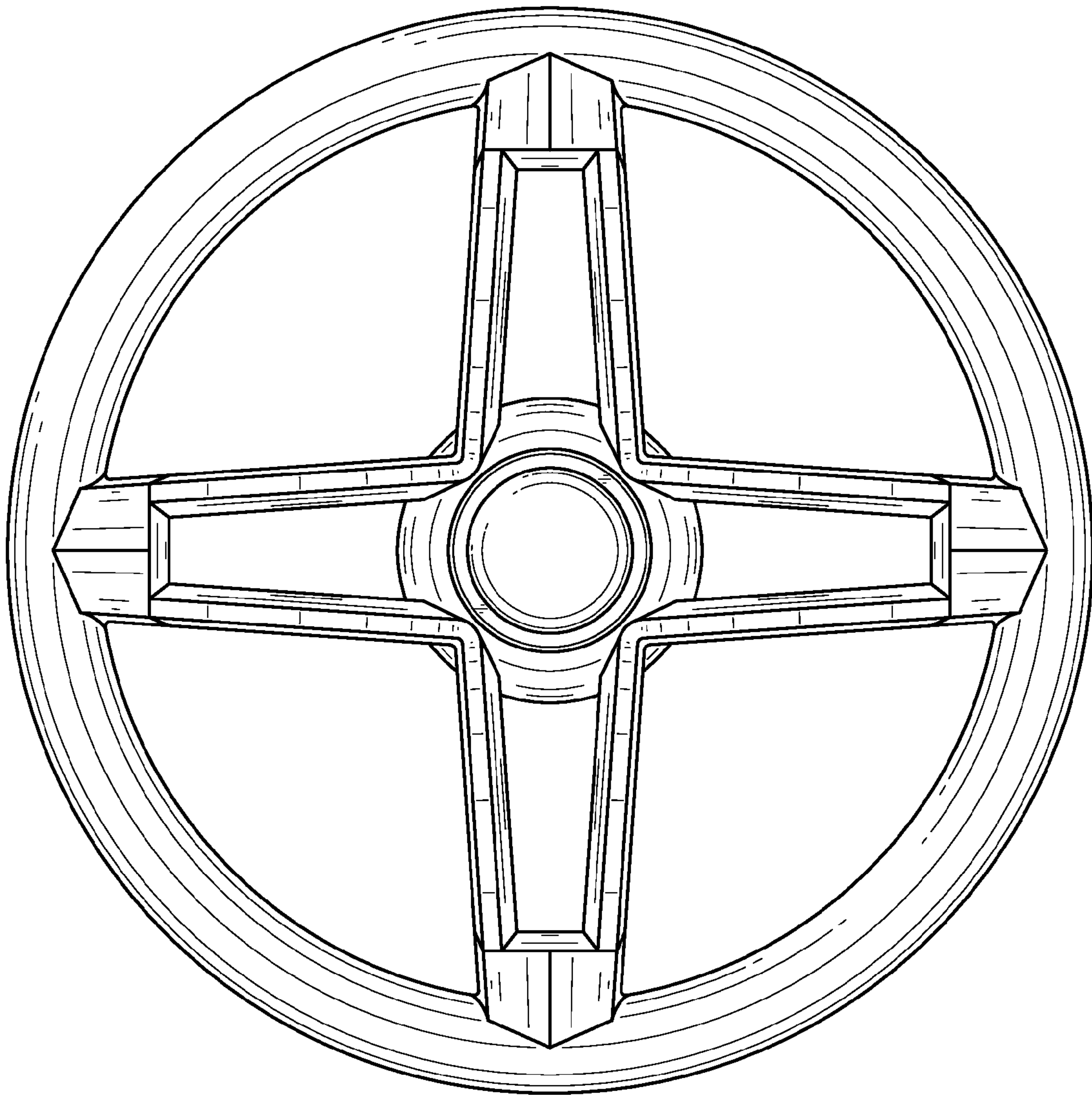


FIG. 2



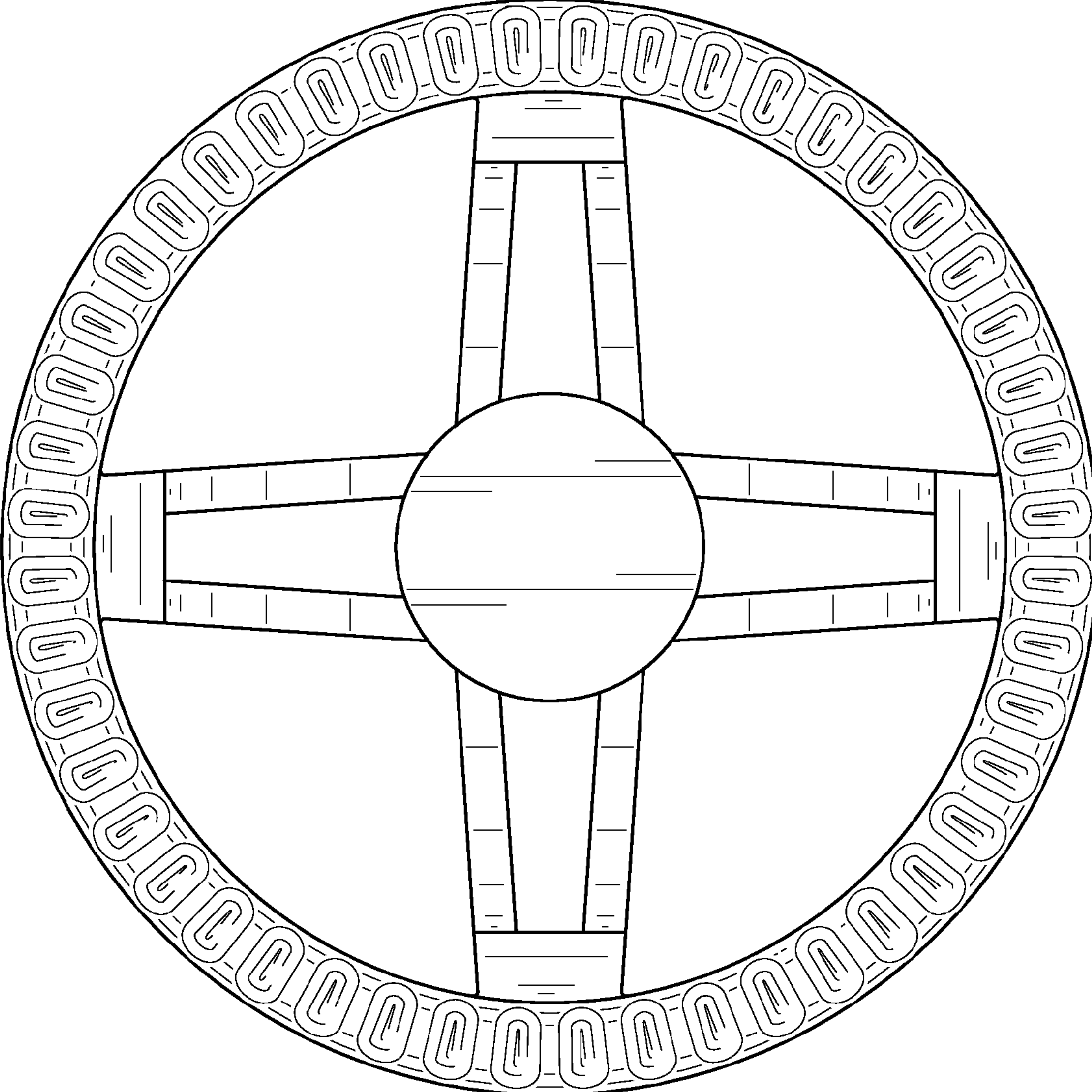


FIG. 3

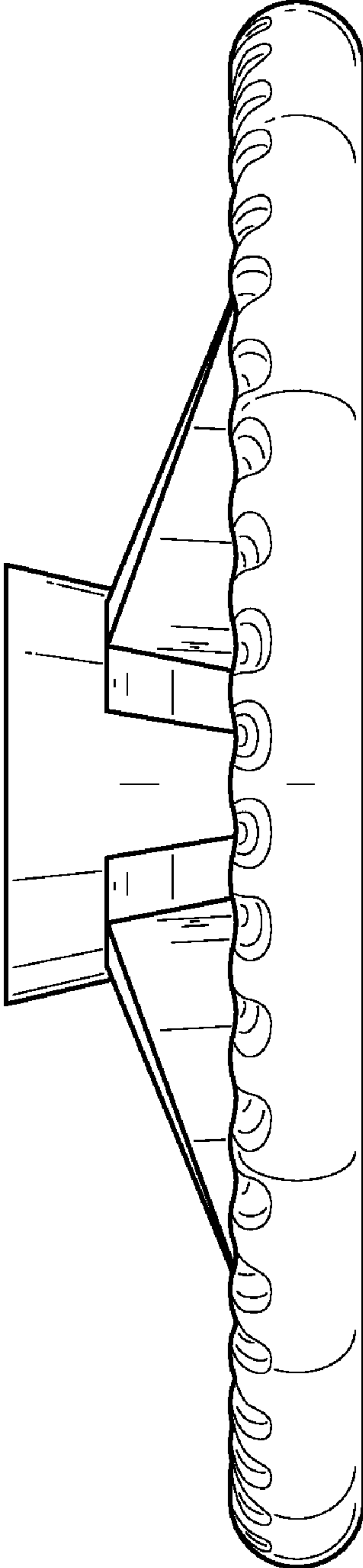


FIG. 4

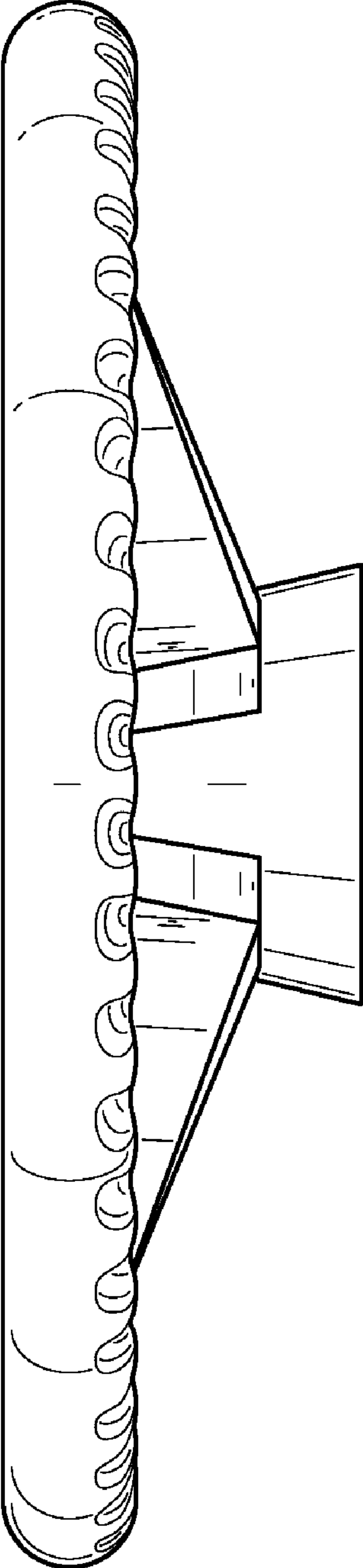


FIG. 5

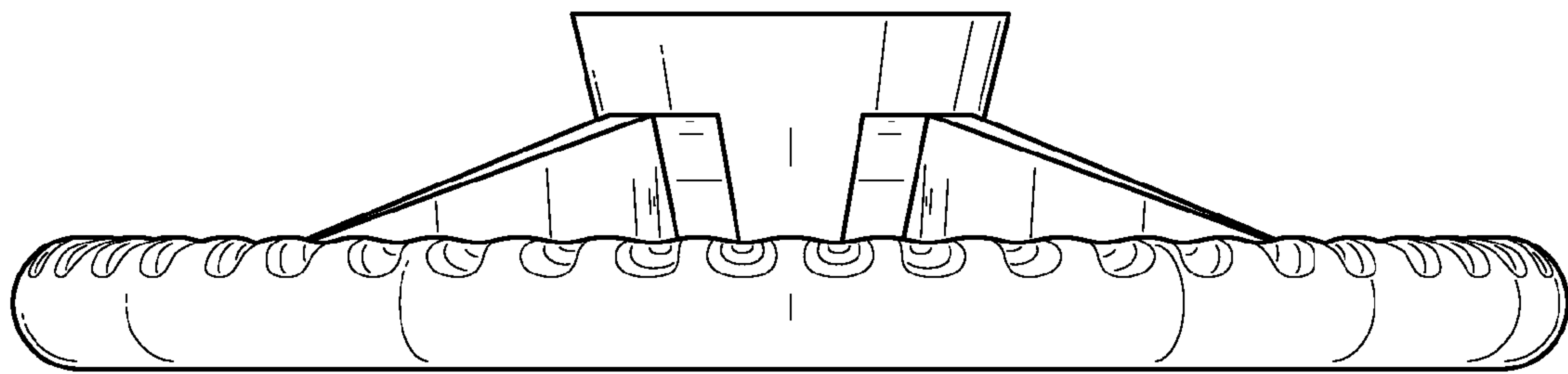


FIG. 6

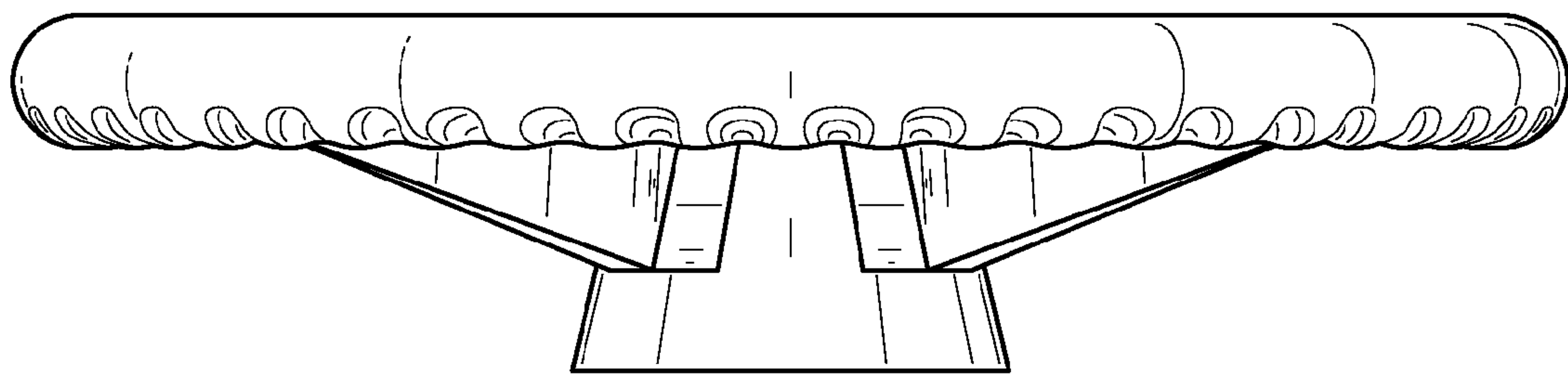


FIG. 7