



US00D619518S

(12) **United States Design Patent**
Granata

(10) **Patent No.:** **US D619,518 S**

(45) **Date of Patent:** **** Jul. 13, 2010**

(54) **STEERING WHEEL FOR A BOAT**

D571,697 S * 6/2008 Maeda et al. D12/176
D583,735 S * 12/2008 Wyszogrod et al. D12/176

(75) Inventor: **Peter Granata**, Hilton Head Island, SC
(US)

* cited by examiner

(73) Assignee: **Grant Products International, Inc.**,
Duarte, CA (US)

Primary Examiner—Melody N Brown
(74) *Attorney, Agent, or Firm*—Venable LLP; Stephan J.
Kirchanski

(**) Term: **14 Years**

(57) **CLAIM**

(21) Appl. No.: **29/344,992**

The ornamental design for a steering wheel for a boat, as
shown and described.

(22) Filed: **Oct. 7, 2009**

(51) **LOC (9) Cl.** **12-16**

(52) **U.S. Cl.** **D12/176**

(58) **Field of Classification Search** D12/175,
D12/176; 74/552, 558, 558.5

See application file for complete search history.

DESCRIPTION

FIG. 1 is a top right perspective view of a steering wheel for
a boat showing my design;

FIG. 2 is a front view thereof;

FIG. 3 is a rear view thereof;

FIG. 4 is a left side view thereof;

FIG. 5 is a right side view thereof;

FIG. 6 is a top view thereof; and,

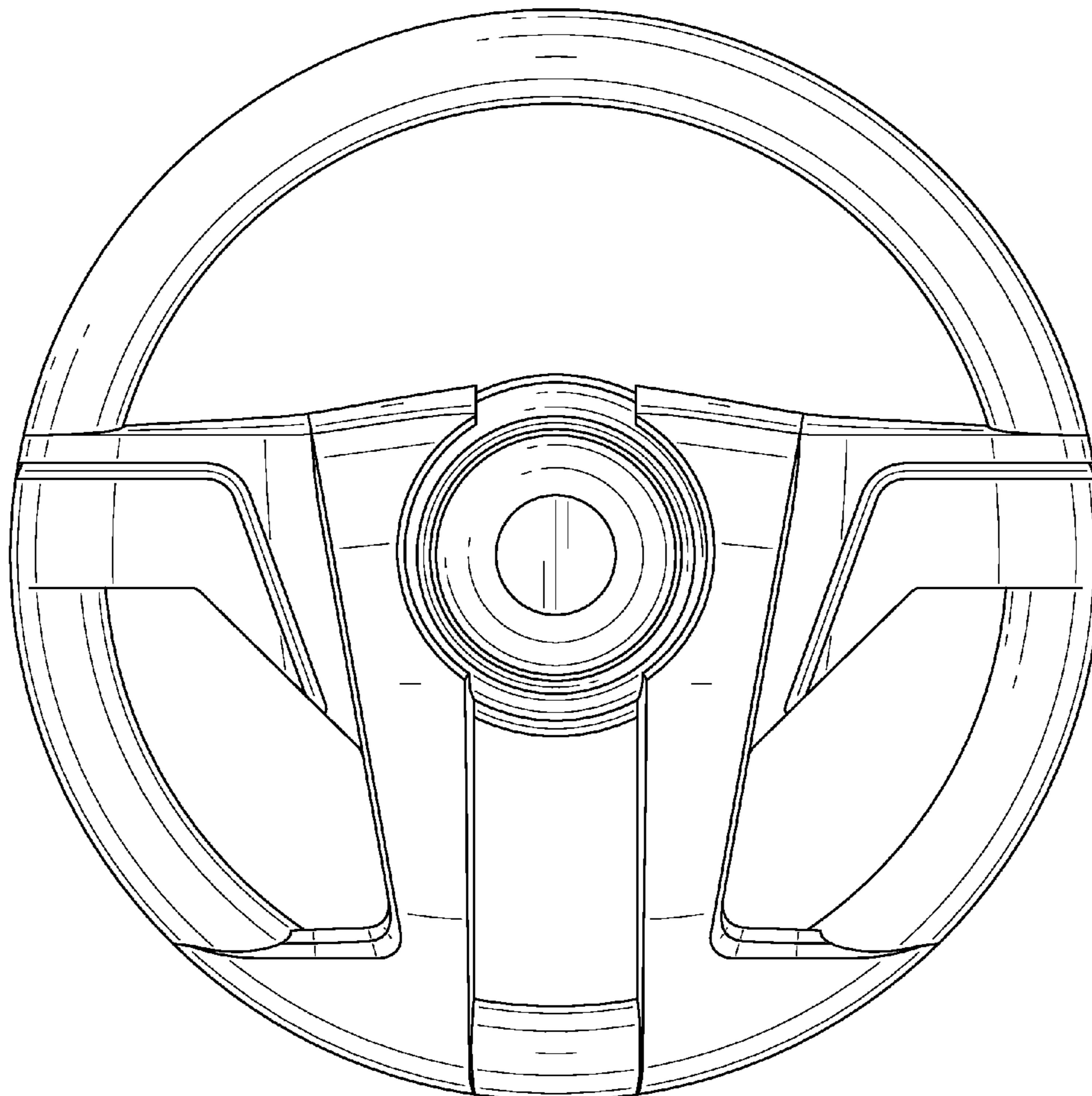
FIG. 7 is a bottom view thereof.

(56) **References Cited**

U.S. PATENT DOCUMENTS

- D483,305 S * 12/2003 Okumura D12/176
- D497,857 S * 11/2004 Namgoong et al. D12/176
- D515,479 S * 2/2006 Yamazaki et al. D12/176
- D552,520 S * 10/2007 Maezono et al. D12/176

1 Claim, 5 Drawing Sheets



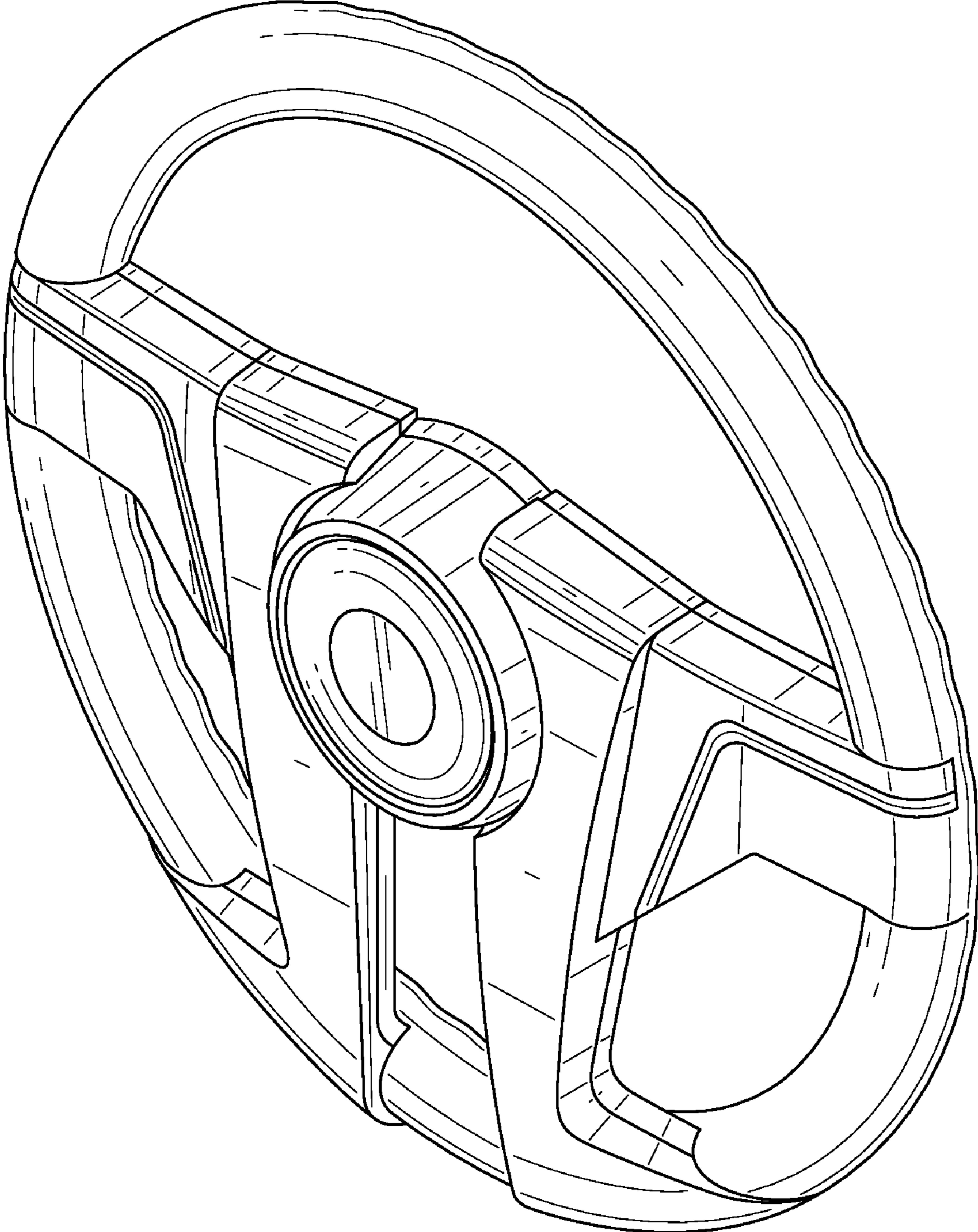


FIG. 1

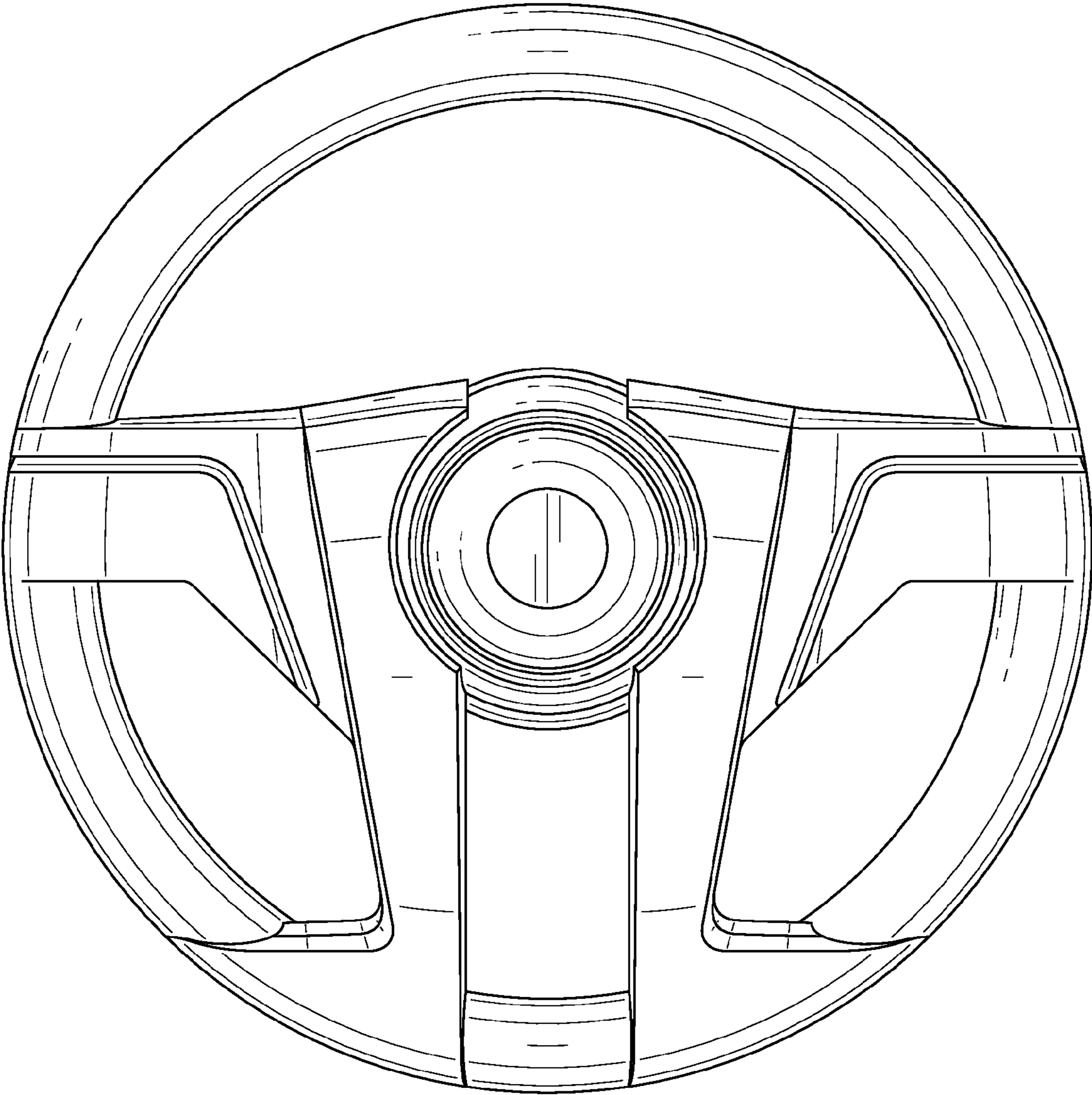


FIG. 2

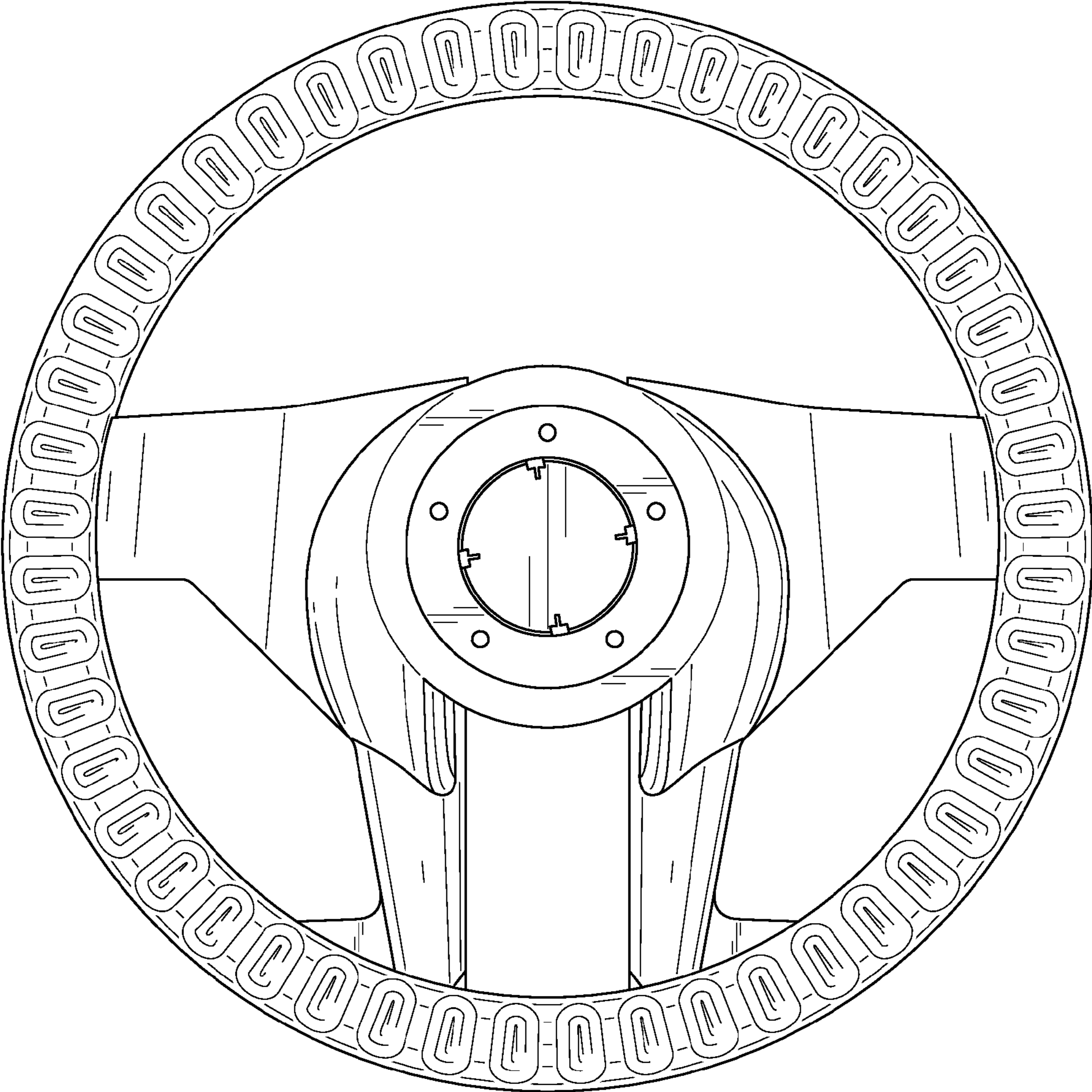


FIG. 3

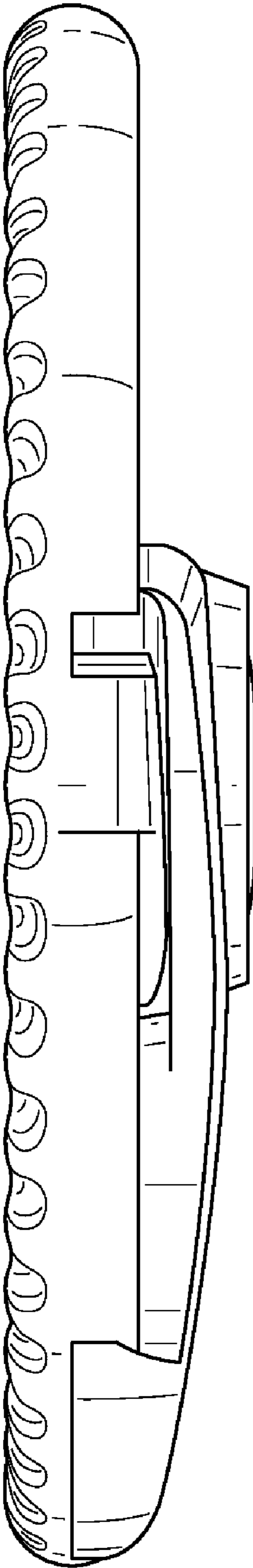


FIG. 4

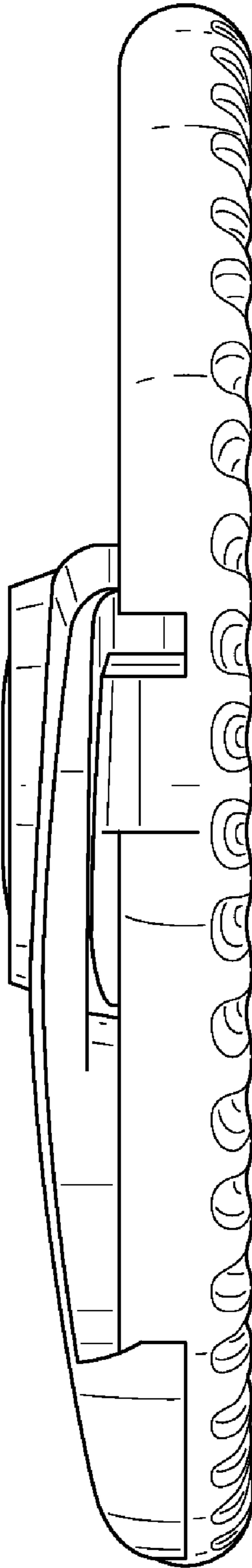


FIG. 5

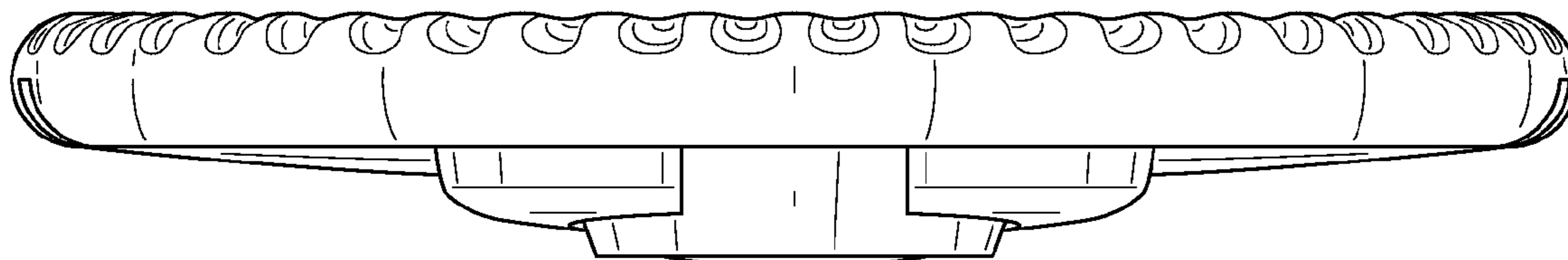


FIG. 6

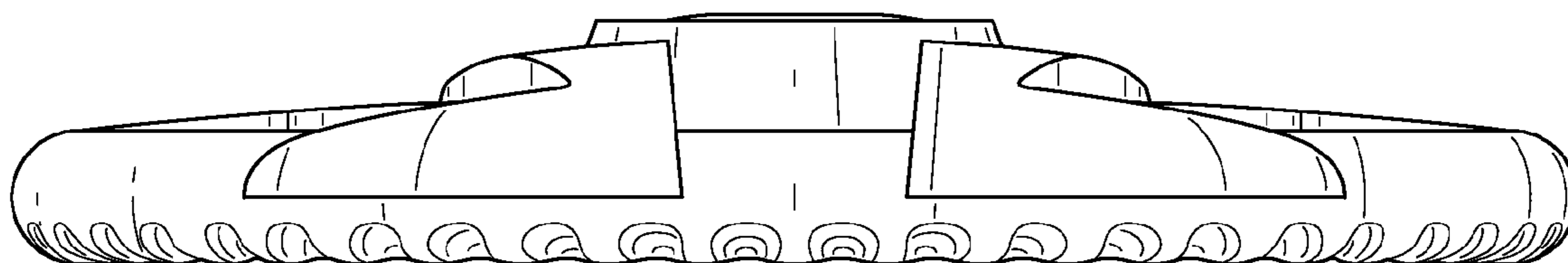


FIG. 7