



US00D619512S

(12) **United States Design Patent**
Walter et al.

(10) **Patent No.:** **US D619,512 S**

(45) **Date of Patent:** **** *Jul. 13, 2010**

(54) **VEHICLE REAR BUMPER COVER**

D583,726 S * 12/2008 Song et al. D12/169
D592,567 S * 5/2009 Saracoglu D12/169

(75) Inventors: **Christopher George Walter**, Walled Lake, MI (US); **James Yu-Hsin Kuo**, Farmington Hills, MI (US); **Solomon H Song**, Farmington Hills, MI (US); **Darrell Paul Behmer**, Novi, MI (US); **Moray Stuart Callum**, Ann Arbor, MI (US)

* cited by examiner

Primary Examiner—Melody N Brown
(74) *Attorney, Agent, or Firm*—Damian Porcari

(73) Assignee: **Ford Motor Company**, Dearborn, MI (US)

(57) **CLAIM**

The ornamental design for a vehicle rear bumper cover, as shown and described.

(*) Notice: This patent is subject to a terminal disclaimer.

DESCRIPTION

(**) Term: **14 Years**

FIG. 1 is a front elevational view of a vehicle rear bumper cover;

(21) Appl. No.: **29/296,011**

FIG. 2 is a left side elevational view of the vehicle rear bumper cover;

(22) Filed: **Oct. 12, 2007**

FIG. 3 is a right side elevational view of the vehicle rear bumper cover;

(51) **LOC (9) Cl.** **12-16**

(52) **U.S. Cl.** **D12/169**

(58) **Field of Classification Search** D12/169,
D12/196, 171, 216, 163, 86, 90–92; 293/102,
293/113, 115, 117, 120; 296/180.1, 180.2
See application file for complete search history.

FIG. 4 is a top plan view of the vehicle rear bumper cover;

FIG. 5 is a bottom plan view of the vehicle rear bumper cover; and,

FIG. 6 is a rear elevational view of the vehicle rear bumper cover.

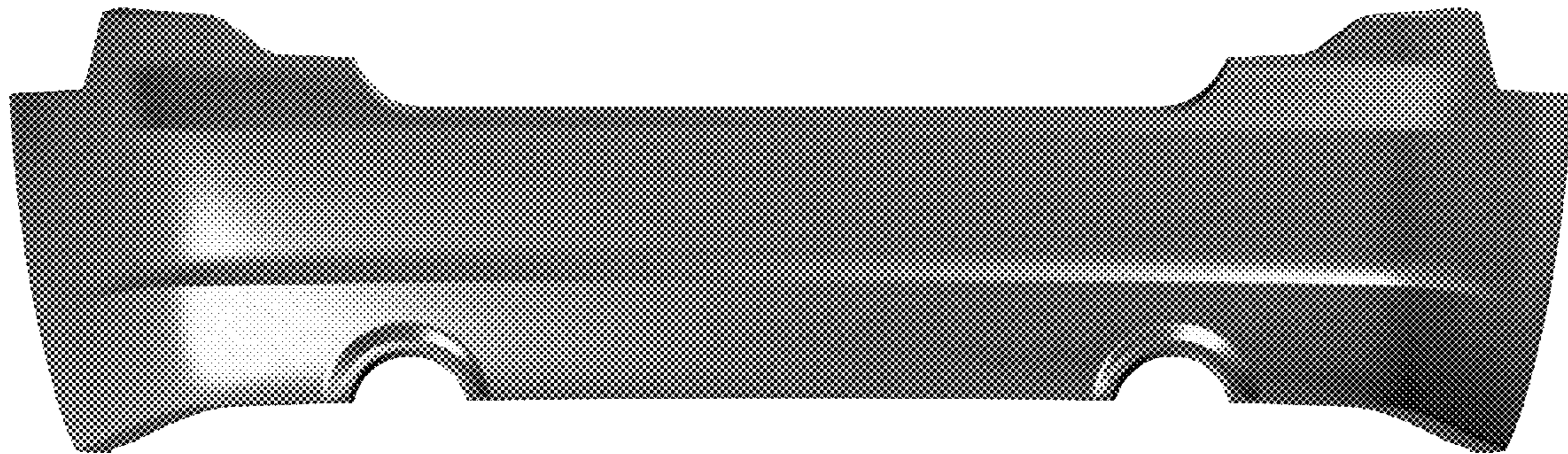
The vehicle rear bumper cover is styled independently of adjacent vehicle panels. To the extent that any feature lines are illustrated, they are intended to illustrate the crest and valley of the feature and are not necessarily sharp bends in the part. Shading is used to illustrate the curvature of the part and not color. Areas shown in or sounded by broken lines are not claimed. Any functional features of the vehicle rear bumper cover are not claimed. Views are orthogonal projections unless otherwise noted. The various views are not necessarily to scale in order to better illustrate the design.

(56) **References Cited**

U.S. PATENT DOCUMENTS

- D500,716 S * 1/2005 Hosoda et al. D12/169
- D503,132 S * 3/2005 Pfeiffer et al. D12/169
- D516,968 S * 3/2006 Sakae et al. D12/169
- D522,937 S * 6/2006 Tada D12/169
- D532,346 S * 11/2006 Tachibana D12/169
- D532,726 S * 11/2006 Sonoda et al. D12/169
- D533,818 S * 12/2006 Kitazumi et al. D12/169

1 Claim, 6 Drawing Sheets



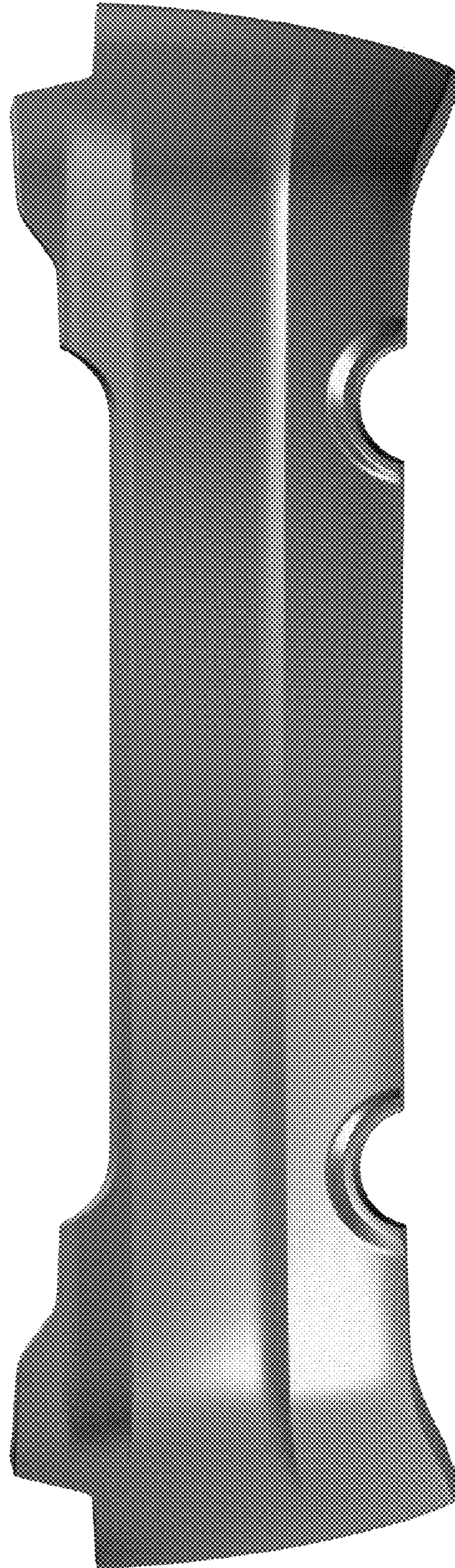


Figure 1

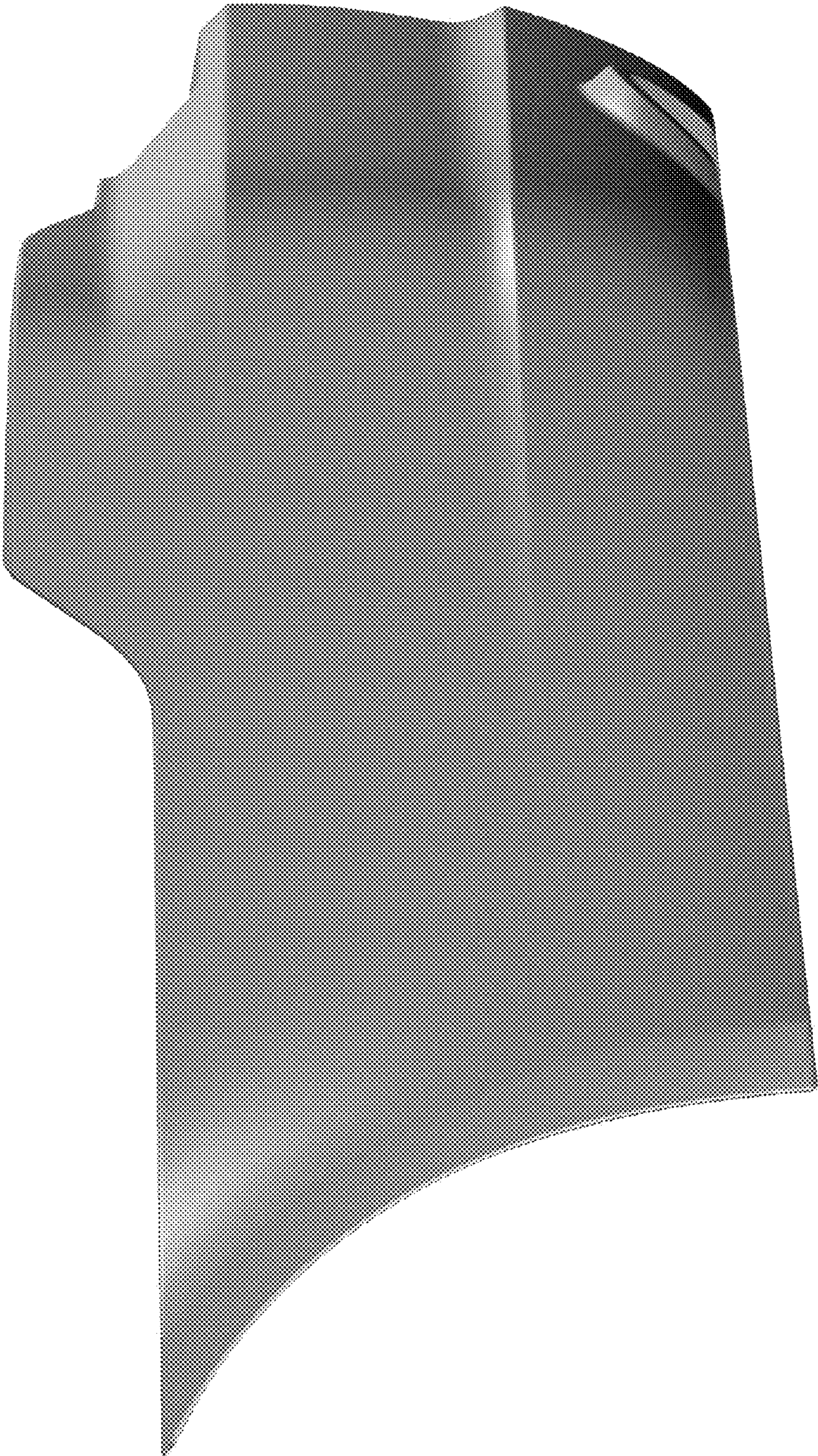


Figure 2

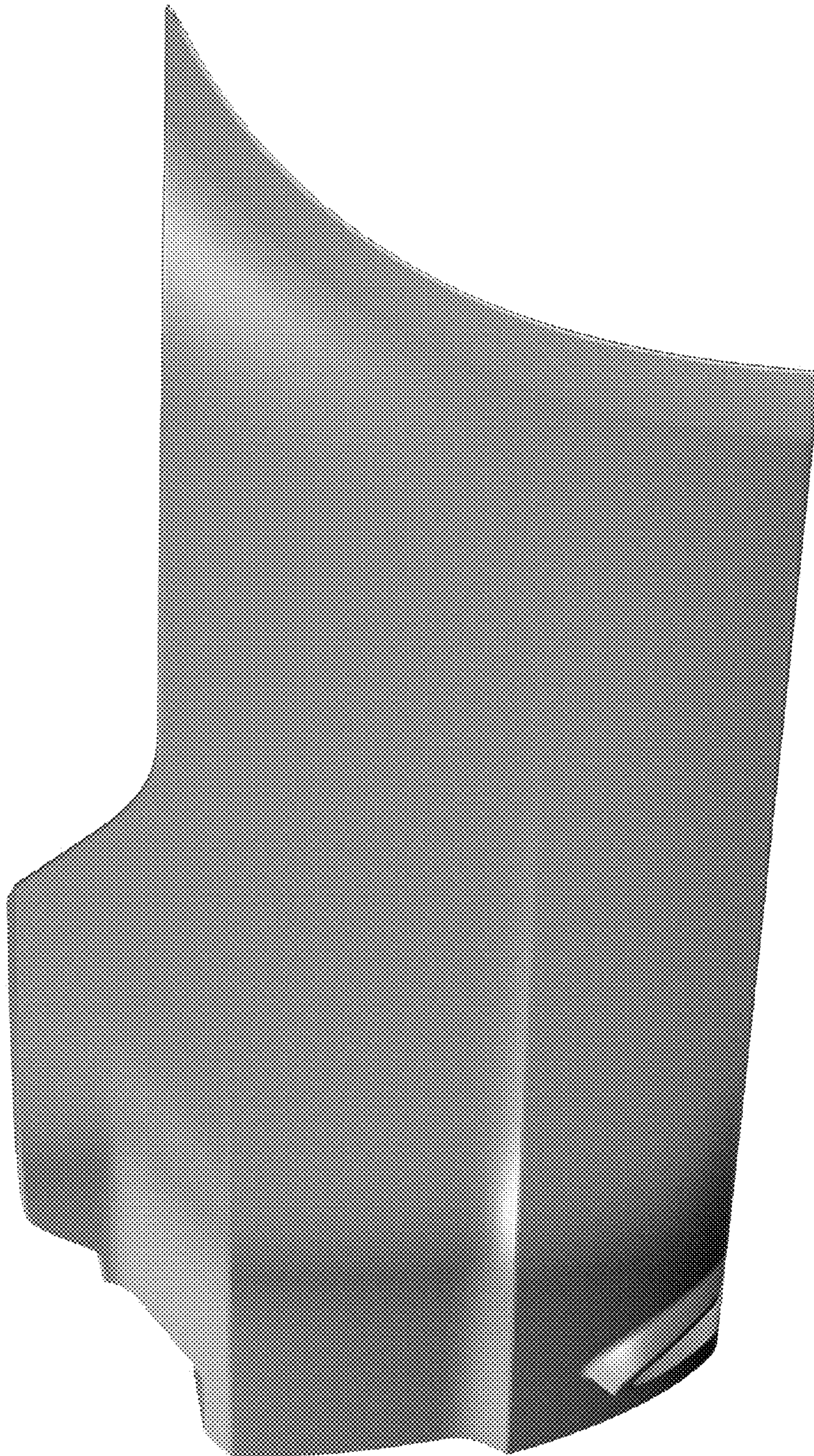


Figure 3

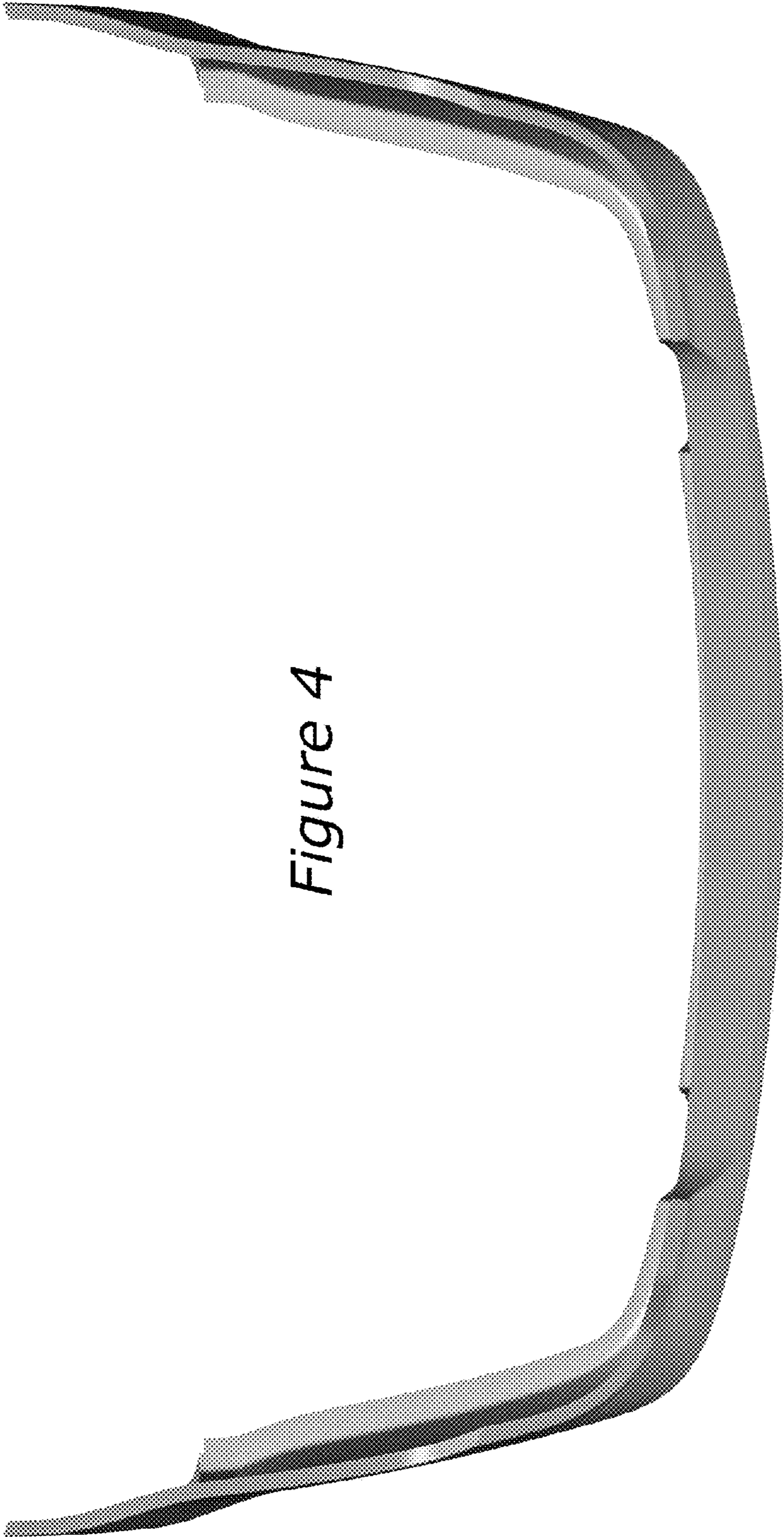


Figure 4



Figure 5

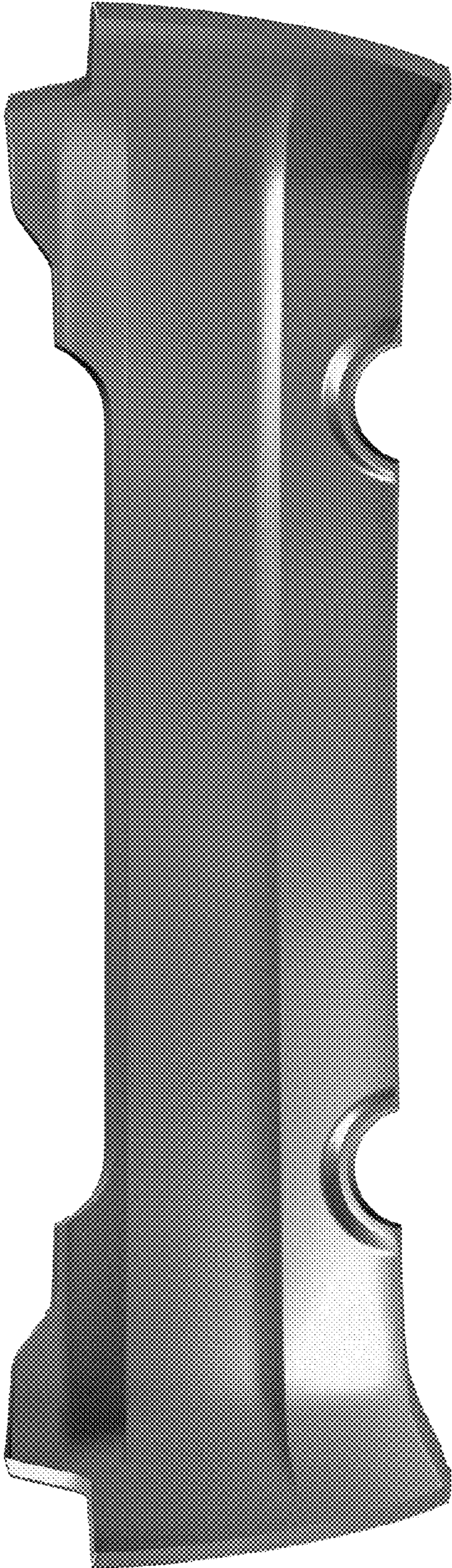


Figure 6