



US00D619508S

(12) **United States Design Patent**
Choi et al.

(10) **Patent No.:** **US D619,508 S**

(45) **Date of Patent:** **** Jul. 13, 2010**

(54) **VEHICLE FRONT PORTION**

D598,820 S * 8/2009 Nakamura D12/164
D602,821 S * 10/2009 Tada et al. D12/164

(75) Inventors: **Young Choi**, Redondo Beach, CA (US);
Guillermo A. Gonzalez, Lawndale, CA (US)

* cited by examiner

Primary Examiner—Melody N Brown

(73) Assignee: **Honda Motor Co., Ltd.**, Tokyo (JP)

(74) *Attorney, Agent, or Firm*—Plumsea Law Group, LLC;
Mark E. Duell

(**) Term: **14 Years**

(57) **CLAIM**

(21) Appl. No.: **29/346,400**

The ornamental design for a vehicle front portion, as shown and described.

(22) Filed: **Oct. 30, 2009**

DESCRIPTION

(51) **LOC (9) Cl.** **12-16**

FIG. 1 is a perspective view of a vehicle front portion showing our new design;

(52) **U.S. Cl.** **D12/164**

FIG. 2 is a side elevational view of one side thereof;

(58) **Field of Classification Search** D12/164,
D12/196, 90-92, 86; 296/181.1, 181.5
See application file for complete search history.

FIG. 3 is a side elevational view of the other side thereof; and,
FIG. 4 is a front elevational view thereof.

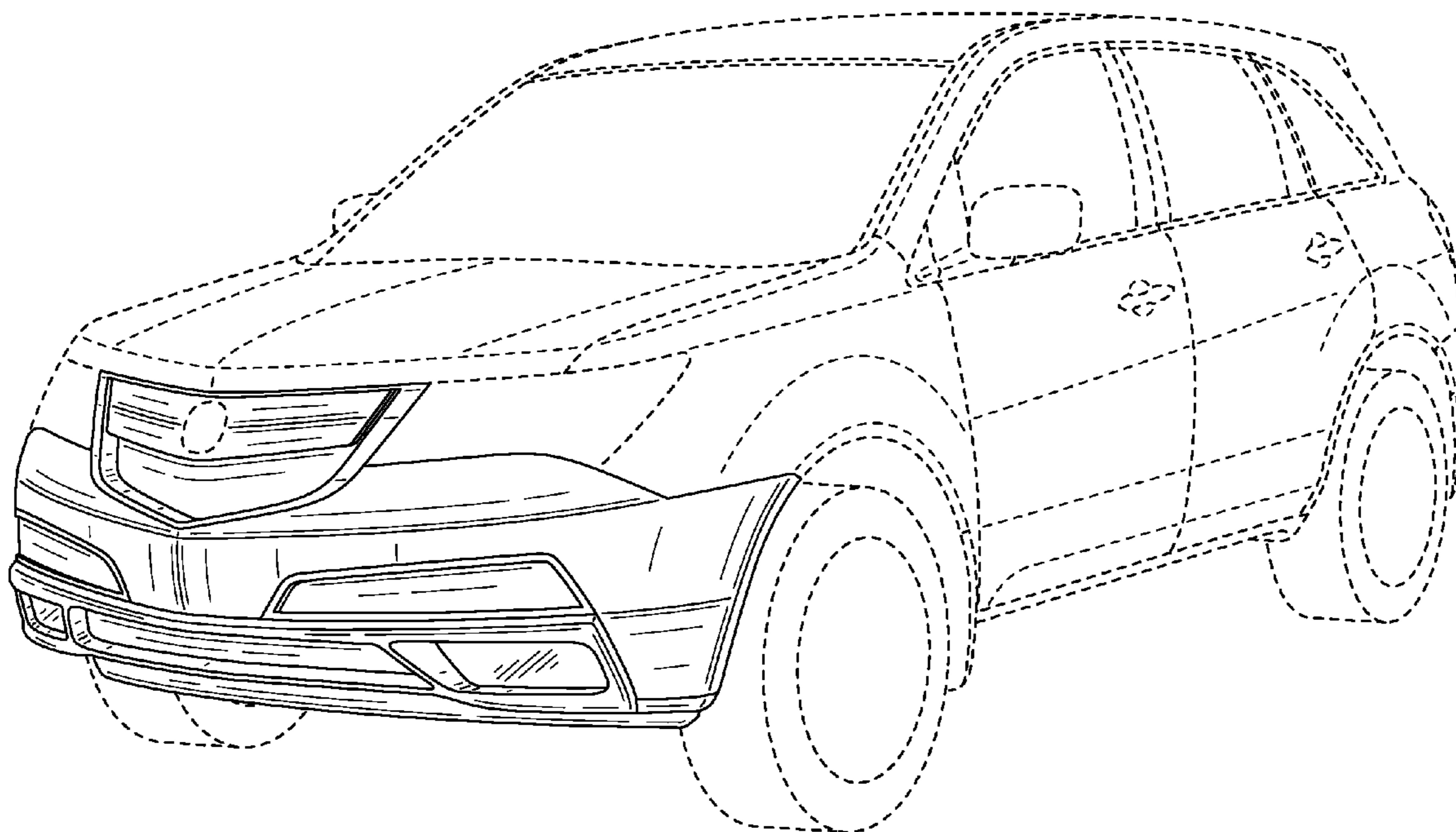
(56) **References Cited**

The broken line showings of the wheels, tires and lozenge shape, and the remainder of the vehicle exterior form no part of the claimed design.

U.S. PATENT DOCUMENTS

D538,710 S 3/2007 Hsu
D572,636 S * 7/2008 Hayashi et al. D12/164
D586,263 S * 2/2009 Osborne et al. D12/92

1 Claim, 4 Drawing Sheets



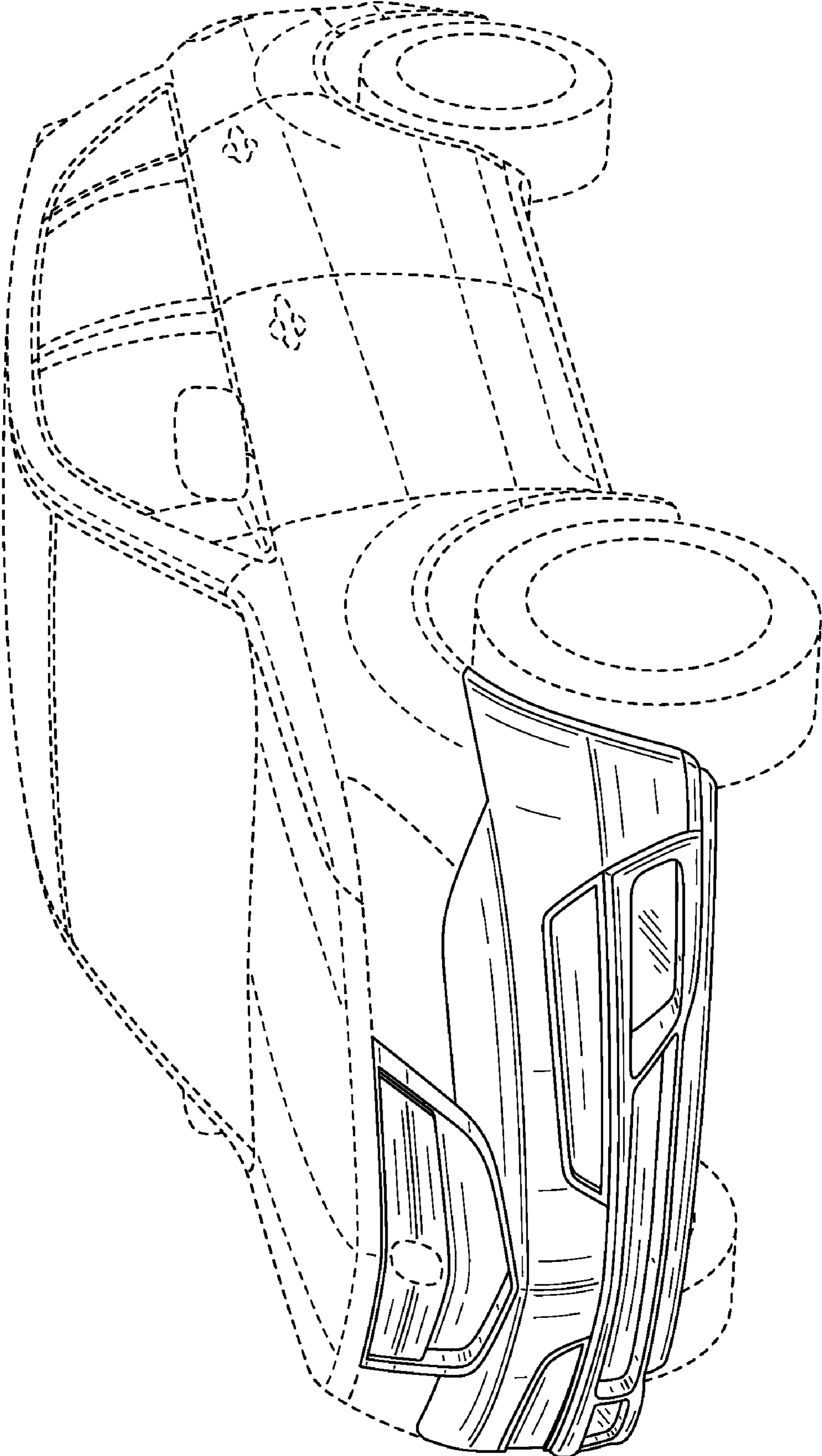


FIG. 1

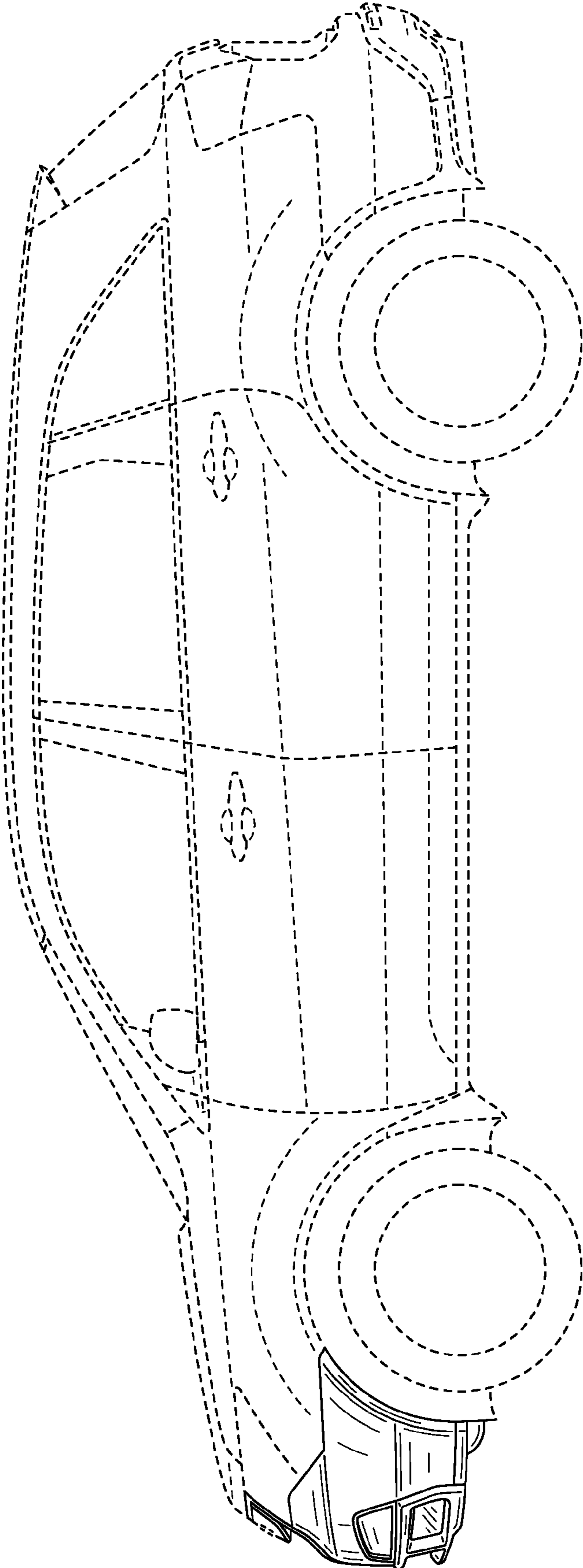


FIG. 2

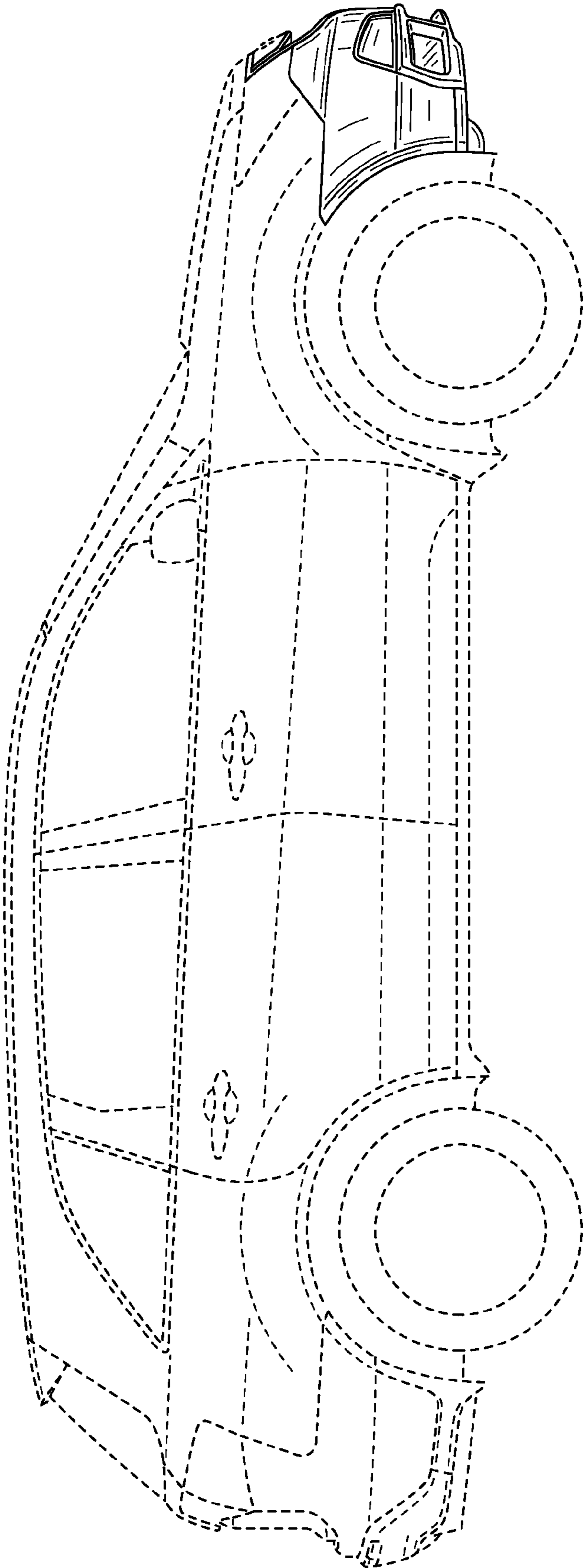


FIG. 3

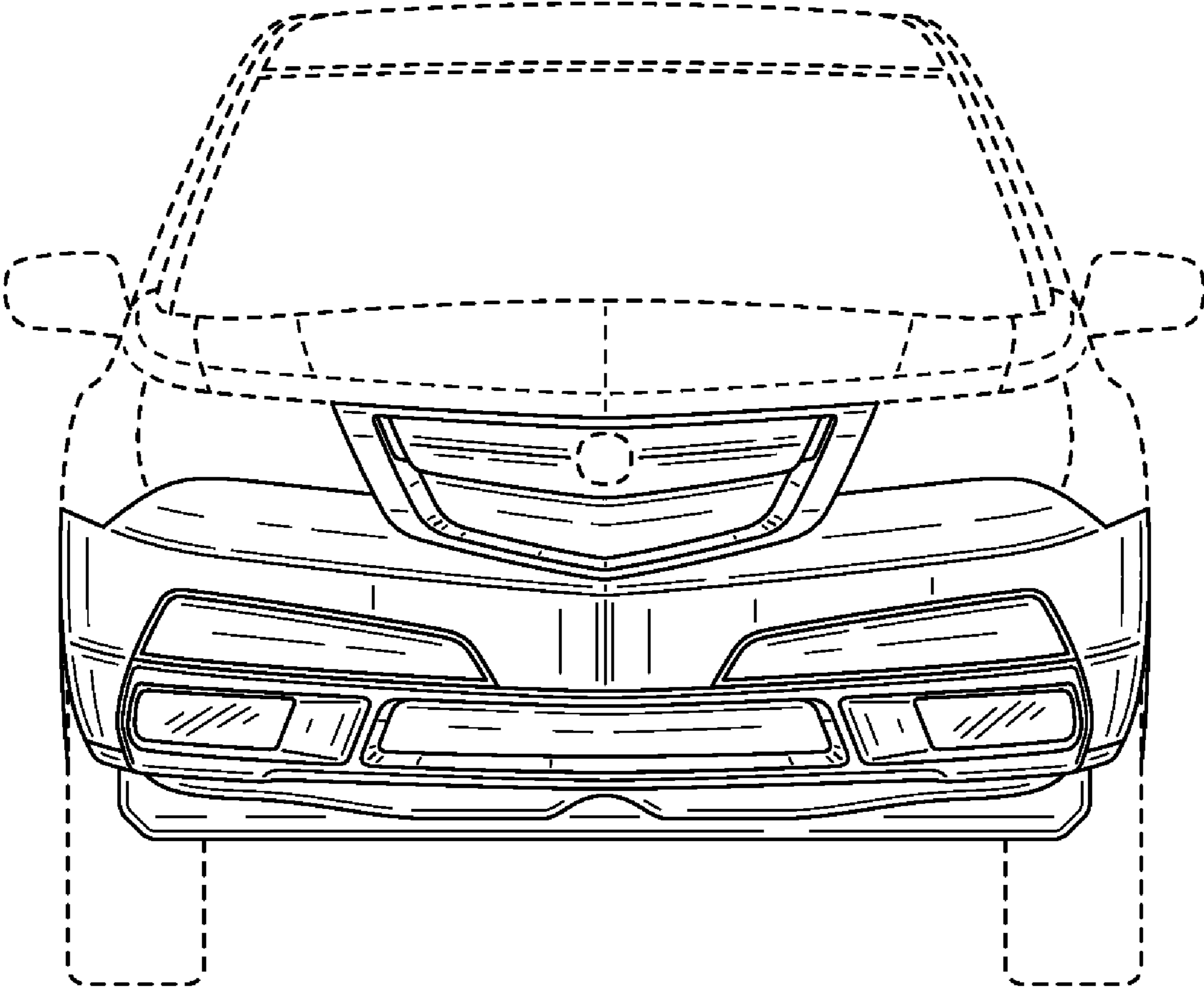


FIG. 4