



US00D619506S

(12) **United States Design Patent**
Isaksen et al.

(10) **Patent No.:** **US D619,506 S**
(45) **Date of Patent:** **** Jul. 13, 2010**

(54) **UNIVERSAL WHEELCHAIR TABLE**

(75) Inventors: **Ike Isaksen**, 1727 Labrador Dr., Costa Mesa, CA (US) 92626; **Steve Erik Isaksen**, Temecula, CA (US)

(73) Assignees: **Ike Isaksen**, Costa Mesa, CA (US); **Steve Isaksen**, Temecula, CA (US)

(**) Term: **14 Years**

(21) Appl. No.: **29/324,337**

(22) Filed: **Sep. 10, 2008**

(51) **LOC (9) Cl.** **12-12**

(52) **U.S. Cl.** **D12/133; D6/406.3**

(58) **Field of Classification Search** D6/406.1-406.6, D6/429, 426, 440, 451, 489, 510, 511; D7/552.1, D7/552.2, 54.1, 554.4, 550.1, 554.2, 554.3, D7/566; 211/133.1, 85.31, 126.8, 126.16, 211/133.5; 108/43, 157.1, 157.13; 434/432; D14/458; D12/128-133

See application file for complete search history.

(56) **References Cited**

U.S. PATENT DOCUMENTS

D218,759	S	*	9/1970	Foster	D12/133
4,116,413	A	*	9/1978	Andersen	248/451
4,632,451	A	*	12/1986	Lee	297/153
4,867,506	A	*	9/1989	Chavez	297/188.2
D315,463	S	*	3/1991	Spiegel	D6/511
5,026,114	A	*	6/1991	Miller	297/145
5,254,007	A	*	10/1993	Eagan	434/319
5,294,172	A	*	3/1994	Dubus	297/148
5,454,581	A	*	10/1995	Ringer	280/304.1

5,588,663	A	*	12/1996	Rundle et al.	280/304.1
D403,280	S	*	12/1998	Diestel et al.	D12/133
6,450,570	B1	*	9/2002	Hoekstra et al.	297/153
6,739,653	B1	*	5/2004	Hoekstra et al.	297/148
7,073,449	B2	*	7/2006	Pipkin	108/44
7,210,735	B2	*	5/2007	Lang	297/155
7,210,736	B1	*	5/2007	Large	297/155

* cited by examiner

Primary Examiner—Ian Simmons

Assistant Examiner—Charles D Hanson

(57) **CLAIM**

The ornamental design for a universal wheelchair table, as shown and described.

DESCRIPTION

FIG. 1 is a perspective view of a universal wheelchair table showing my new design;

FIG. 2 is a top view thereof;

FIG. 3 is a front view thereof;

FIG. 4 is a back view thereof;

FIG. 5 is a bottom view thereof;

FIG. 6 is a perspective view, in first elevated position;

FIG. 7 is a back view thereof;

FIG. 8 is a side view thereof;

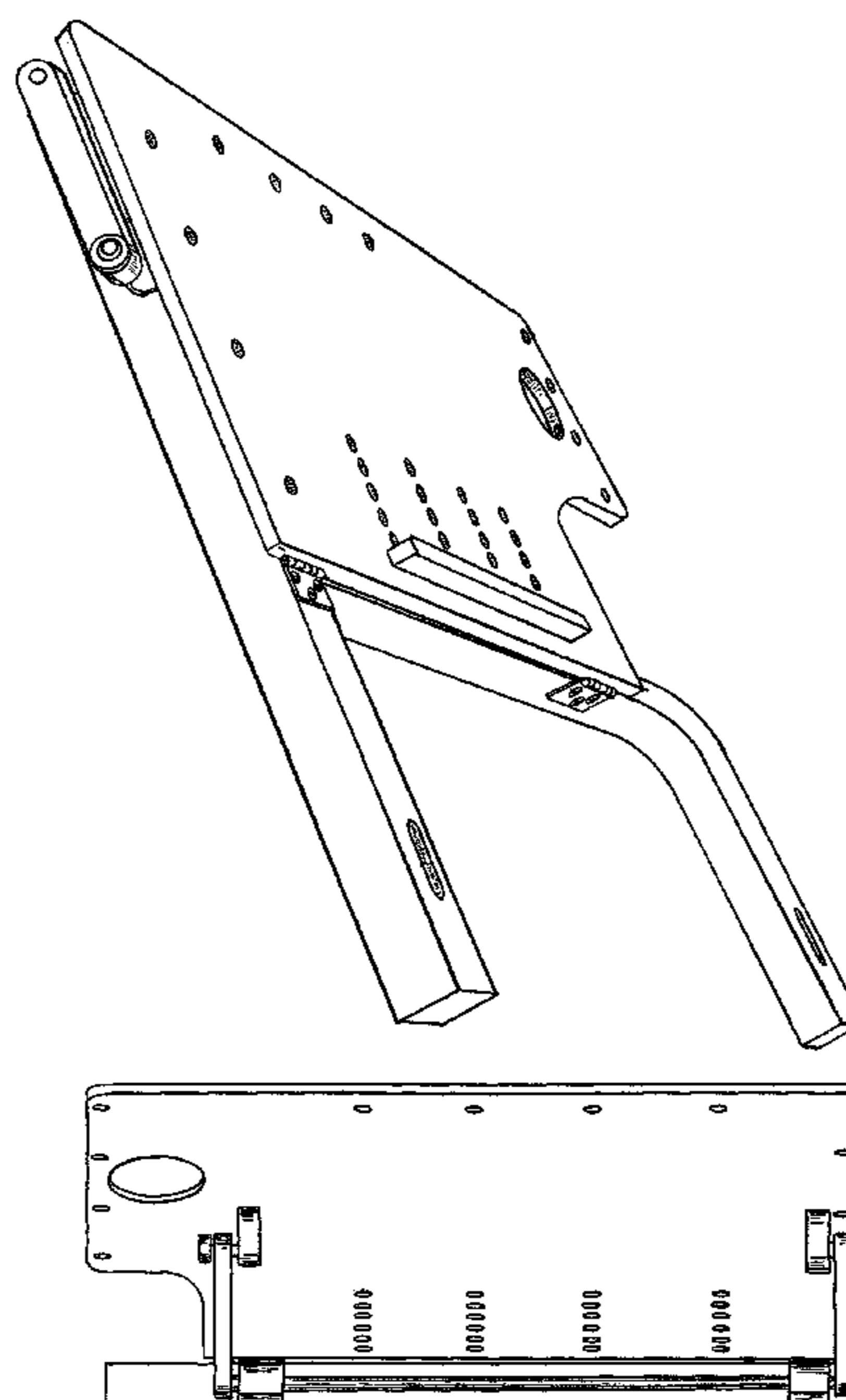
FIG. 9 is a perspective view, in second elevated position;

FIG. 10 is a front view thereof;

FIG. 11 is a side view thereof; and,

FIG. 12 is a perspective back view thereof.

1 Claim, 8 Drawing Sheets



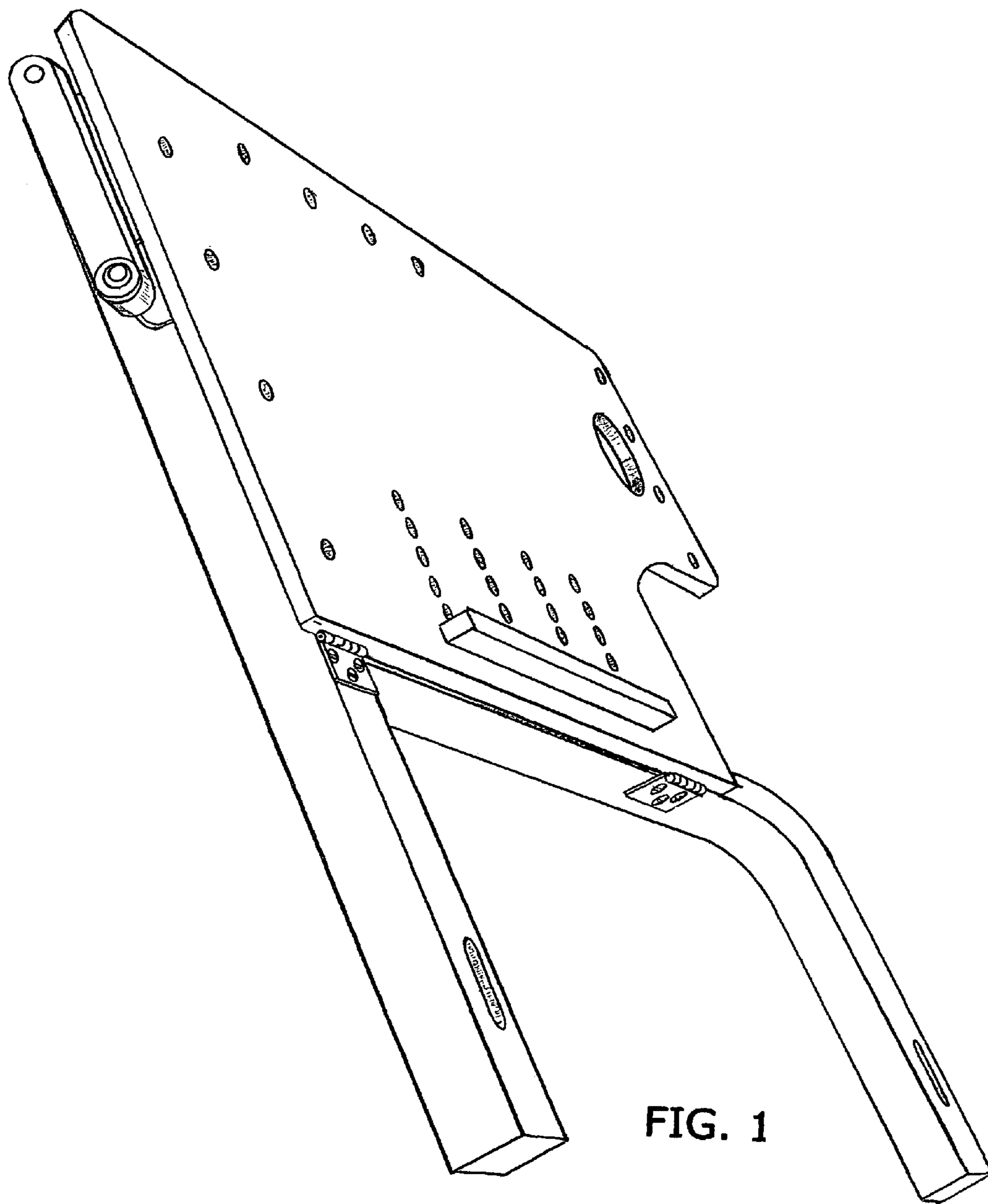


FIG. 1

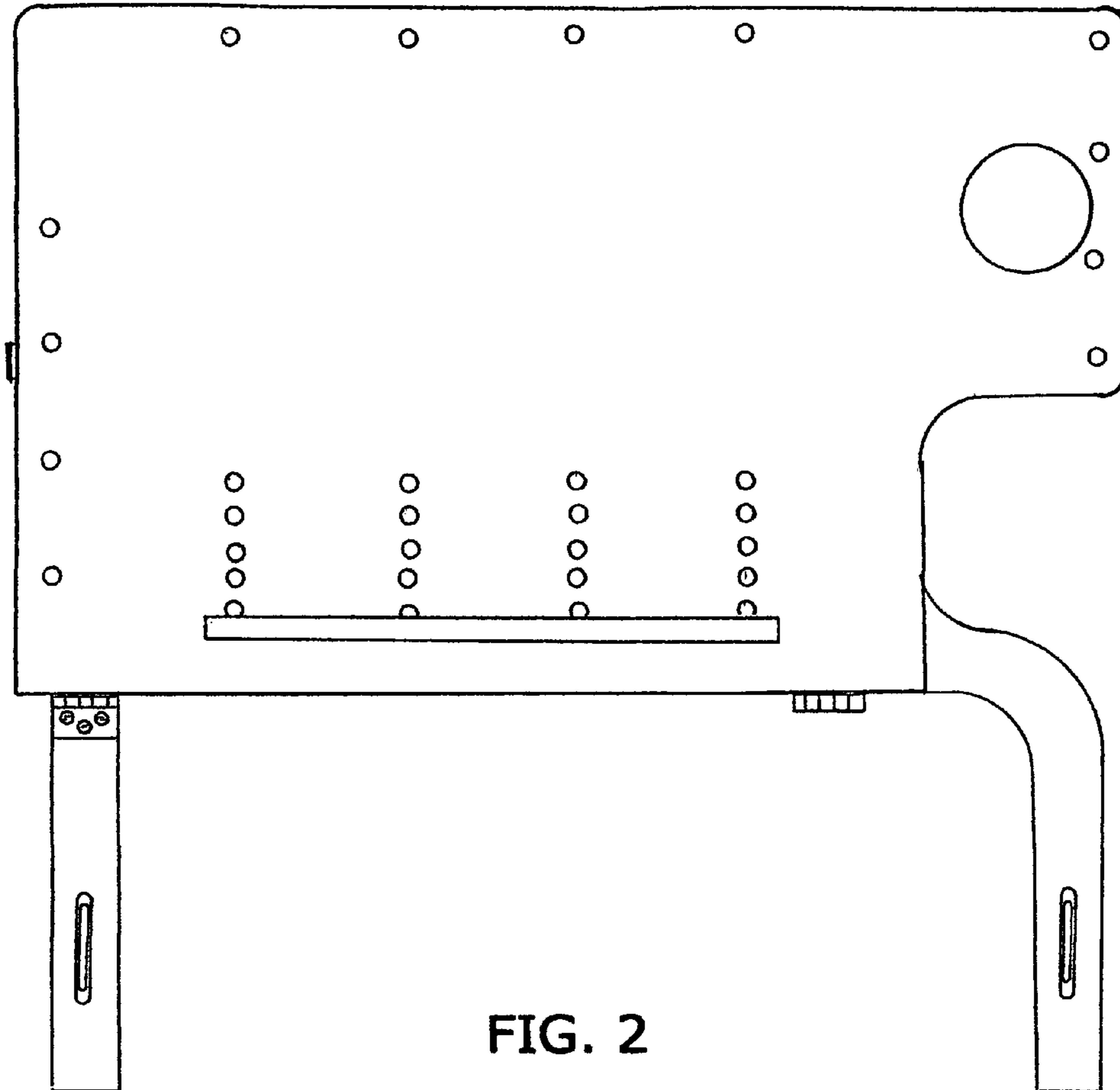


FIG. 2

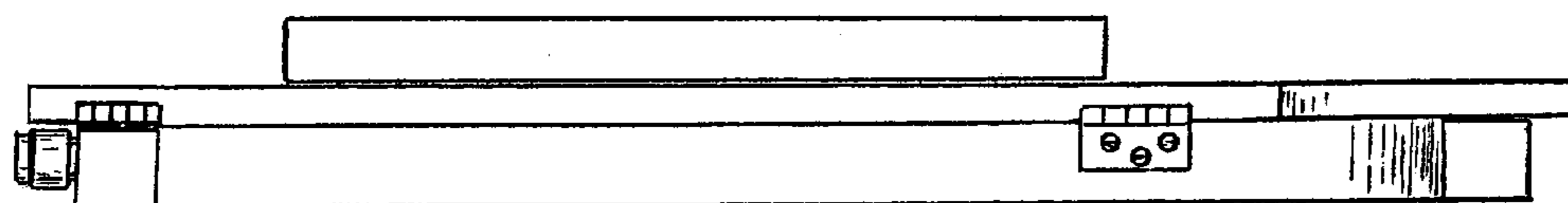


FIG. 3

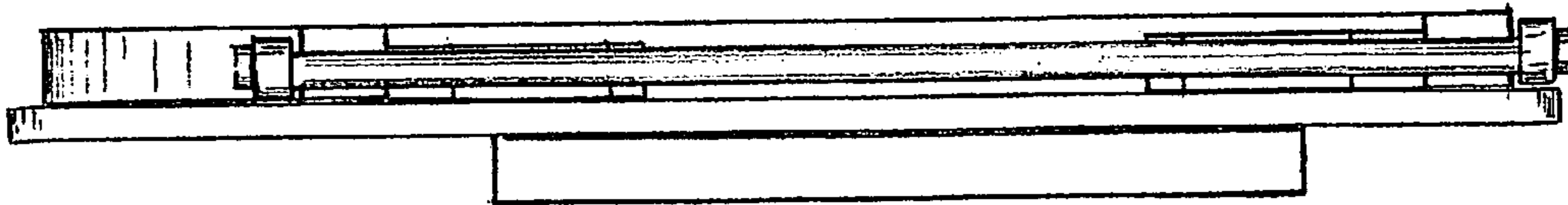


FIG. 4

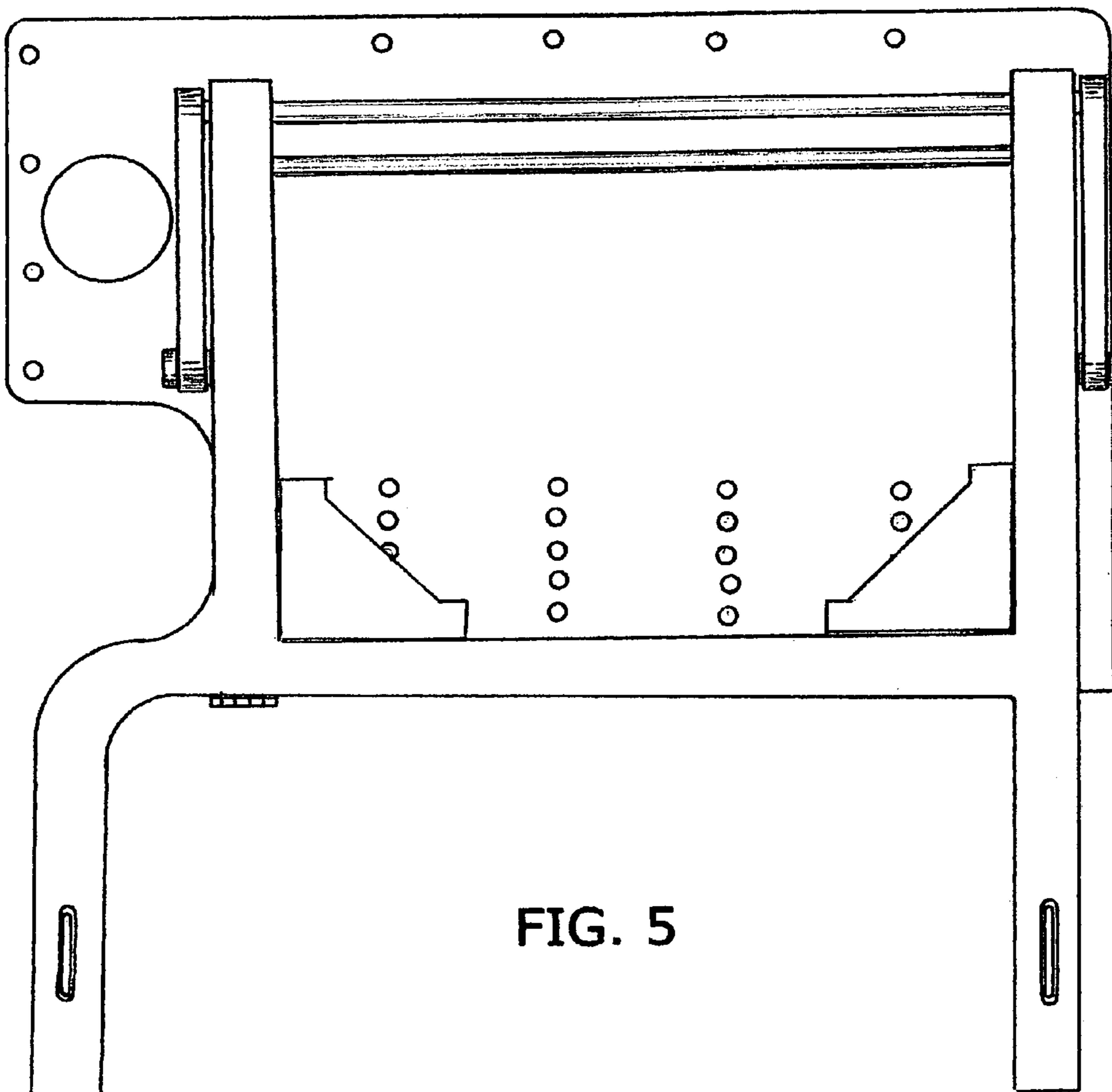


FIG. 5

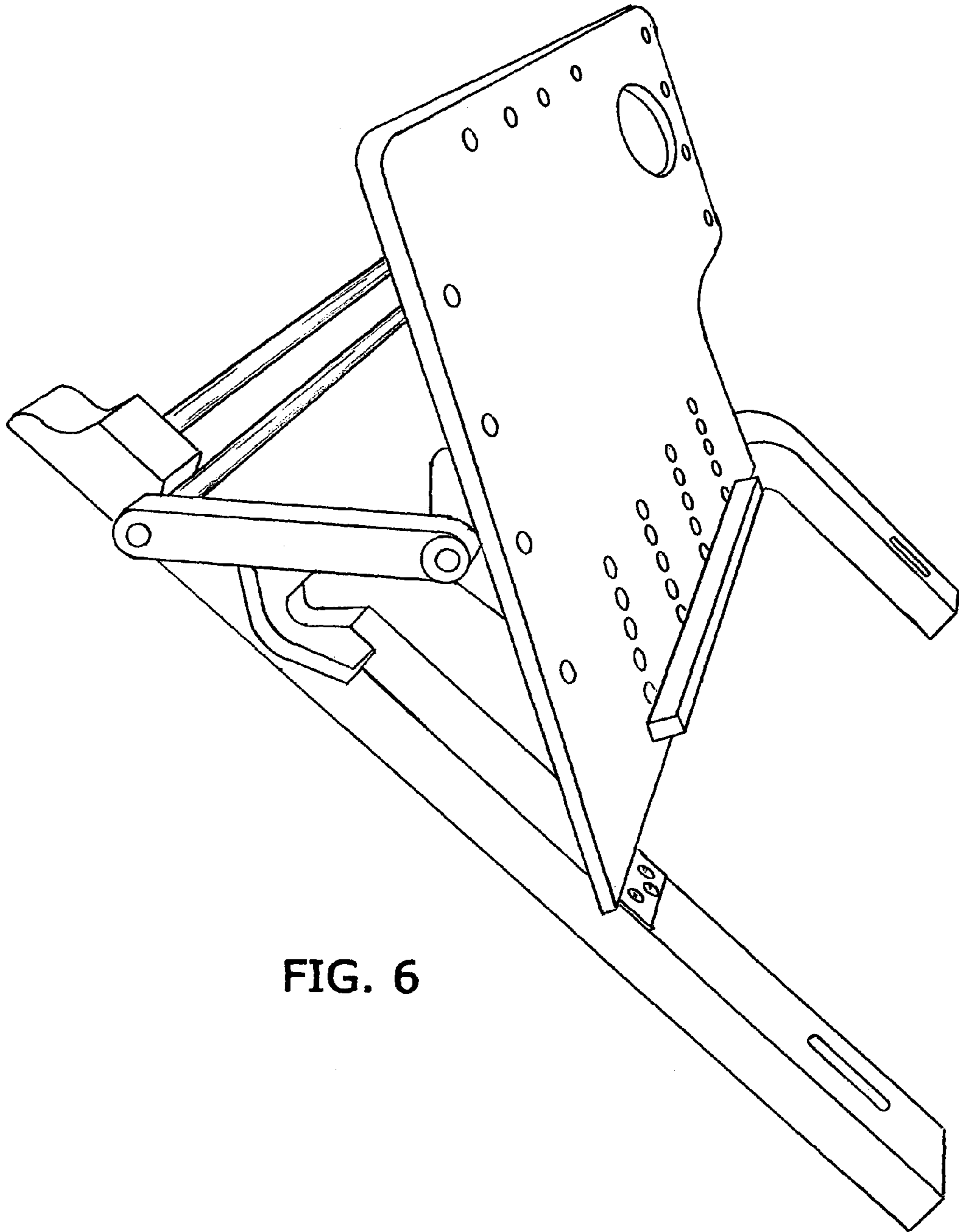


FIG. 6

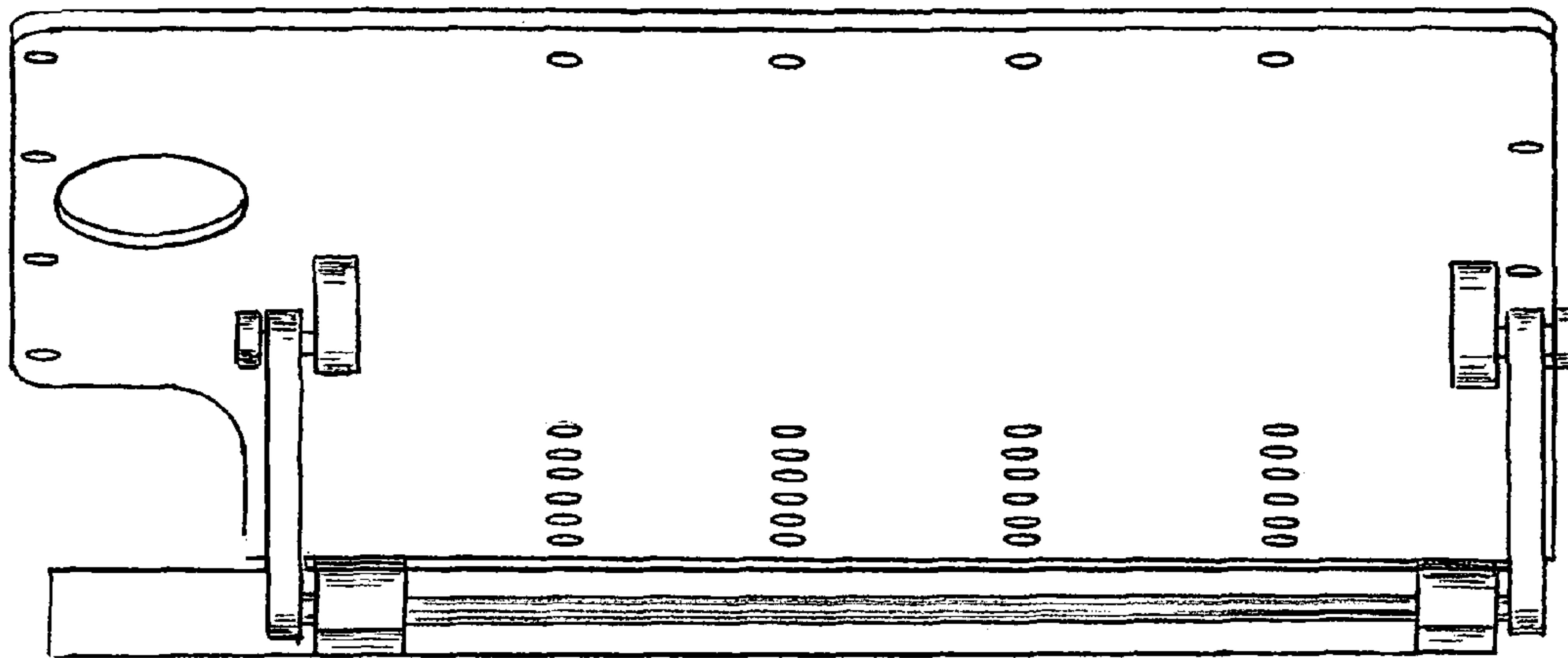


FIG. 7

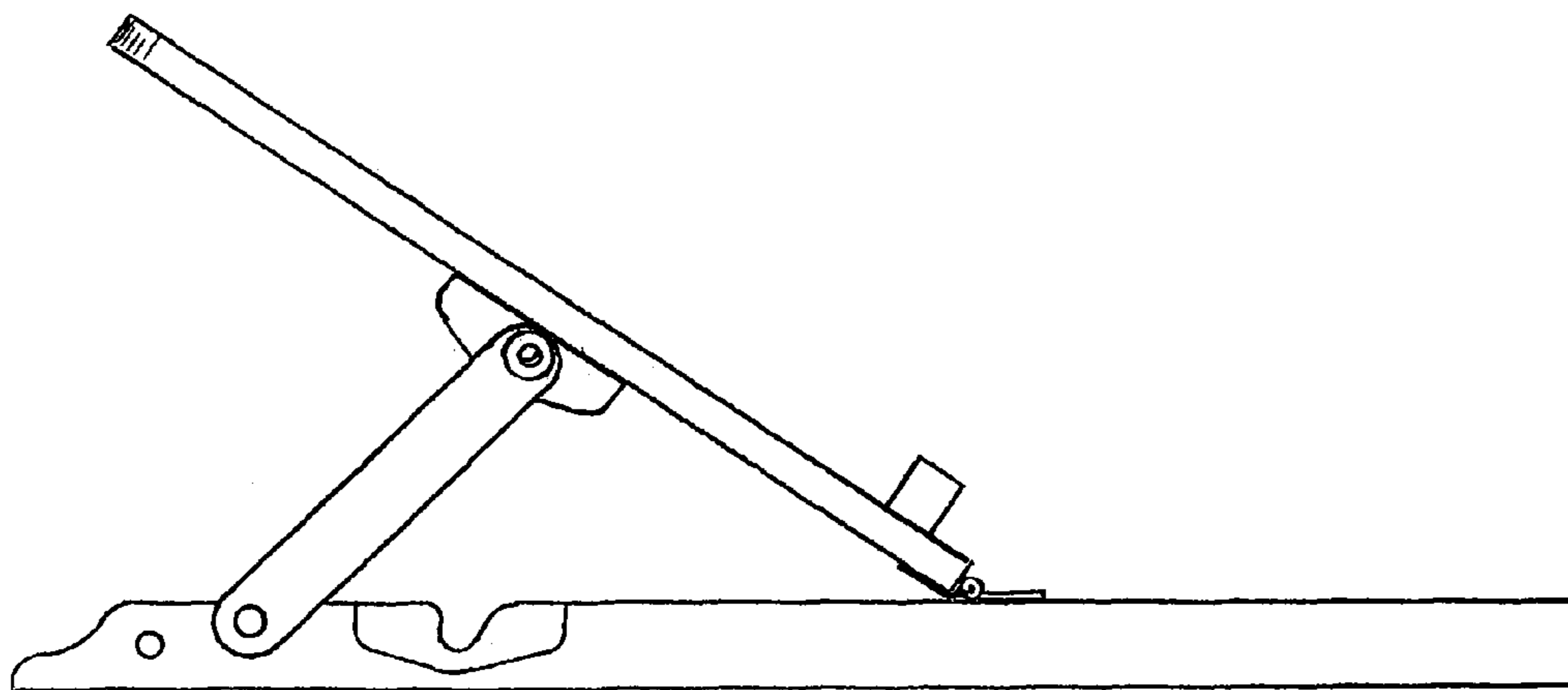


FIG. 8

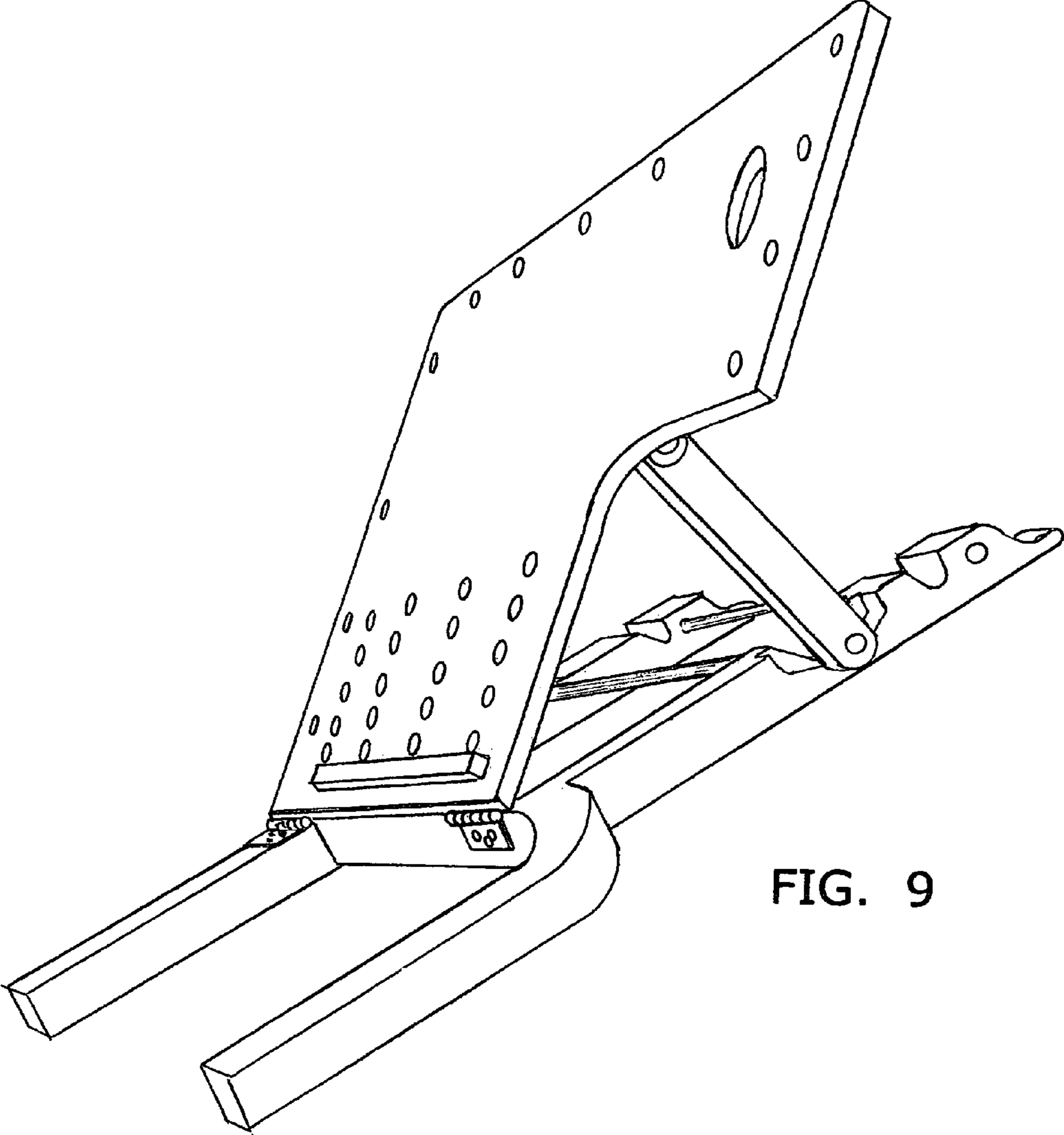


FIG. 9

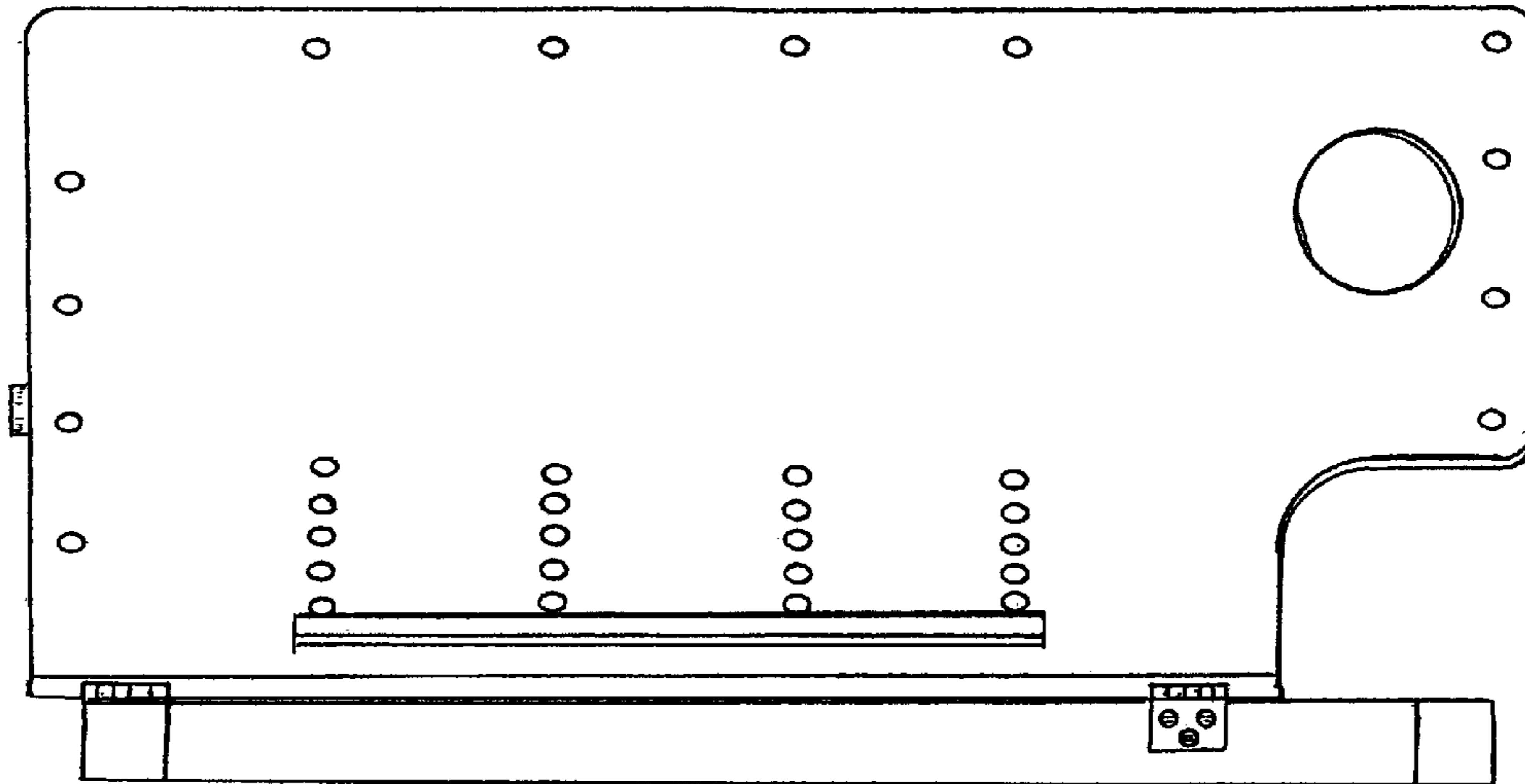


FIG. 10

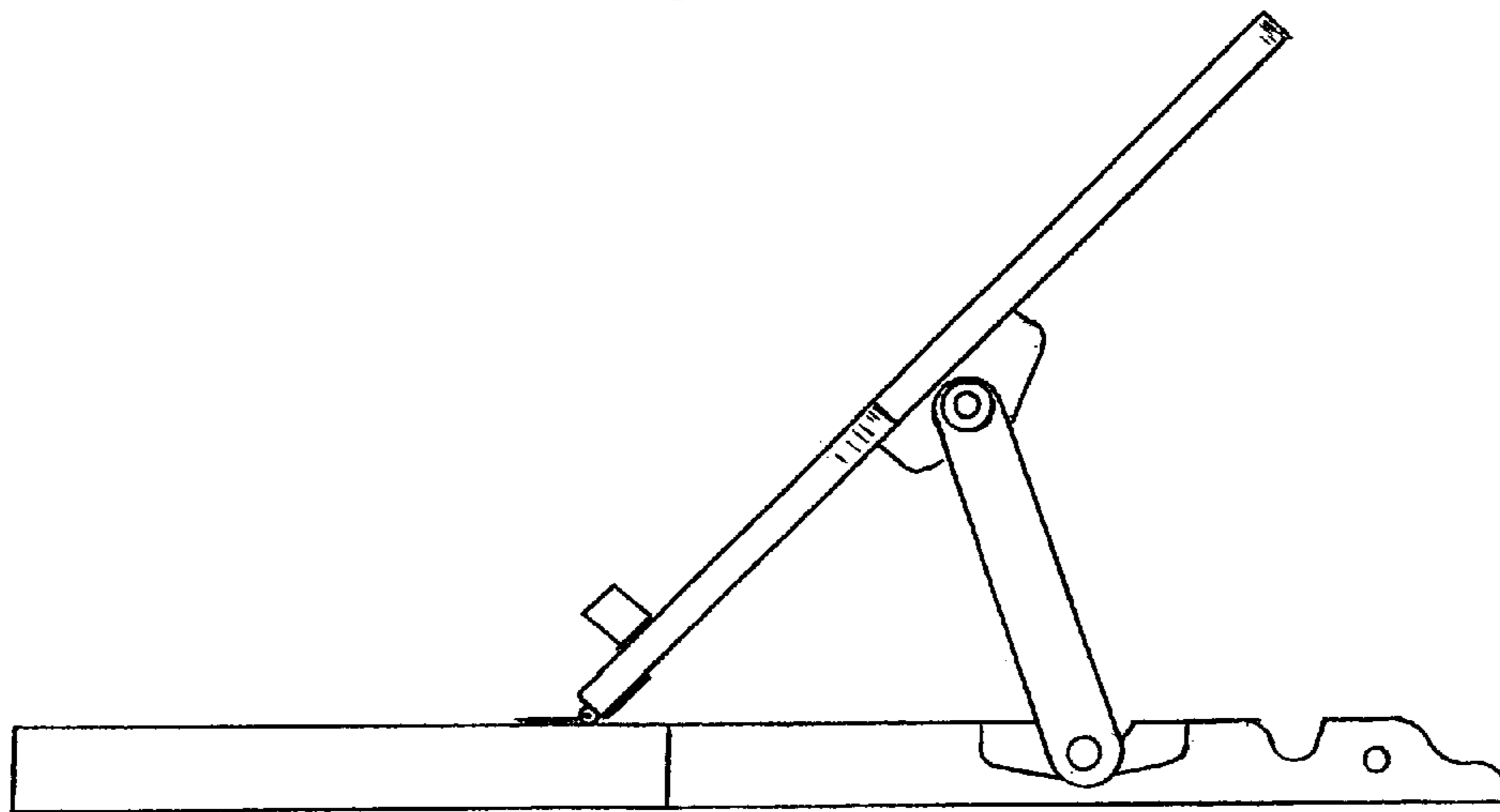


FIG. 11

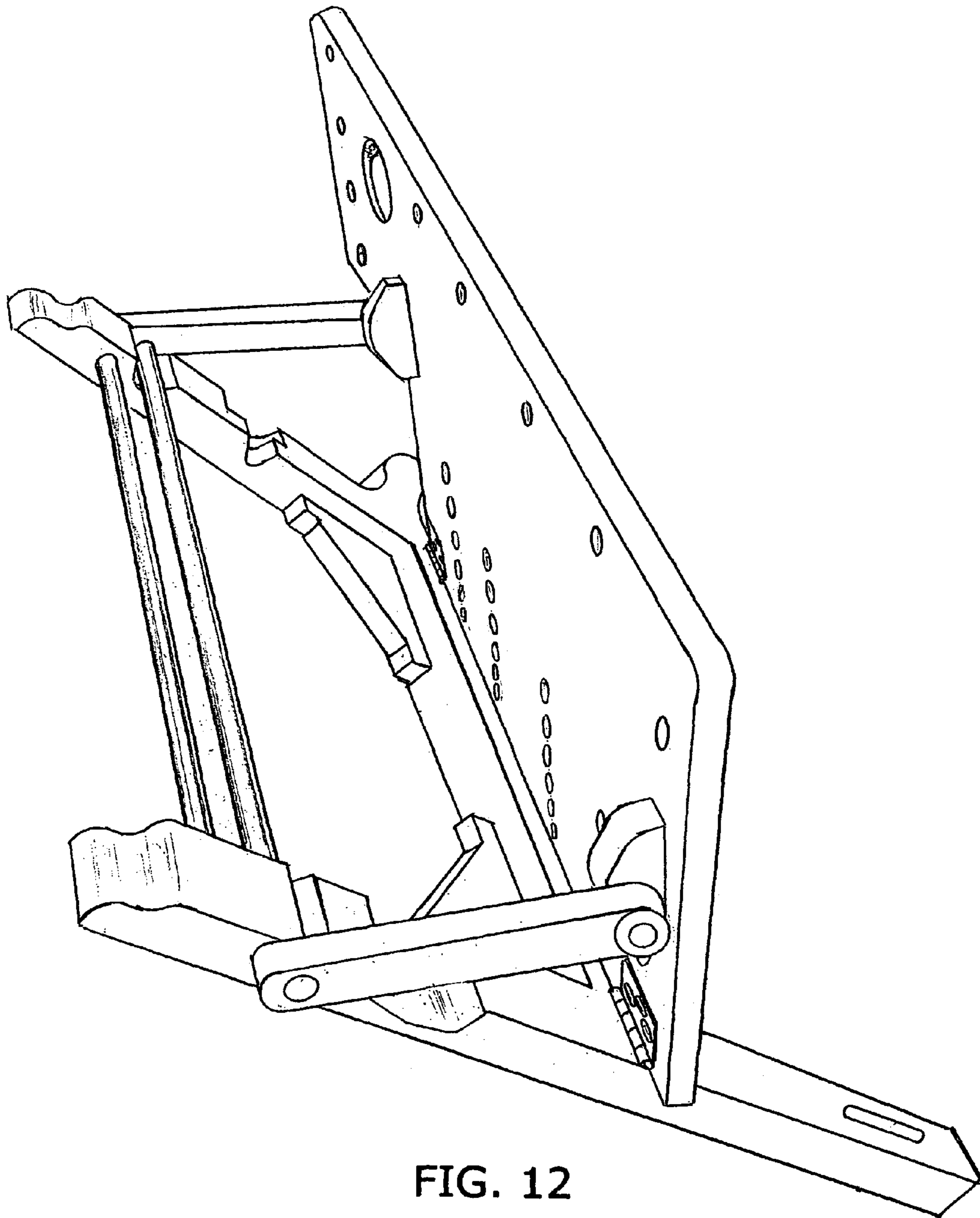


FIG. 12