



US00D619504S

(12) **United States Design Patent**  
**Dabrowski et al.**

(10) **Patent No.:** **US D619,504 S**  
(45) **Date of Patent:** **\*\* Jul. 13, 2010**

(54) **SINGLE-WHEEL TRAILER**

(76) Inventors: **Zbigniew Dabrowski**, ul. Lesna 24,  
Bukowina Tatrzańska (PL) 34-530;  
**Krzysztof Cudzich**, ul. Lesna 24,  
Bukowina Tatrzańska (PL) 34-530;  
**Ireneusz Kopania**, ul. Lesna 26,  
Paczyna (PL) 44-120

(\*\*) Term: **14 Years**

(21) Appl. No.: **29/314,163**

(22) Filed: **Mar. 9, 2009**

(30) **Foreign Application Priority Data**

Oct. 7, 2008 (PL) ..... WP-13679

(51) **LOC (9) Cl.** ..... **12-10**

(52) **U.S. Cl.** ..... **D12/101**

(58) **Field of Classification Search** ..... D12/19,  
D12/129, 101-106, 111-112; D21/424,  
D21/435; D34/21-26, 12, 14, 17-19; 280/204,  
280/63, 475, 482, 648, 763.1, 47.25; 296/173,  
296/181, 10, 61, 100.01-100.08

See application file for complete search history.

(56) **References Cited**

**U.S. PATENT DOCUMENTS**

D463,762 S \* 10/2002 Everett ..... D12/129  
D475,951 S \* 6/2003 Everett ..... D12/129

2001/0002745 A1\* 6/2001 Weber ..... 280/62  
2003/0094792 A1\* 5/2003 Chen ..... 280/648  
2004/0130117 A1\* 7/2004 Lipton ..... 280/204  
2005/0023784 A1\* 2/2005 Harmer et al. .... 280/63  
2007/0290476 A1\* 12/2007 Chuang ..... 280/204  
2009/0256329 A1\* 10/2009 Sather ..... 280/204

**FOREIGN PATENT DOCUMENTS**

PL 356013 A1 3/2004

\* cited by examiner

*Primary Examiner*—Caron Veynar  
*Assistant Examiner*—Katrina A Kile

(57) **CLAIM**

The ornamental design for a single-wheel trailer, as shown and described.

**DESCRIPTION**

FIG. 1 is a perspective view of a single-wheel trailer showing our new design;

FIG. 2 is a left side elevational view thereof;

FIG. 3 is a right side elevational view thereof;

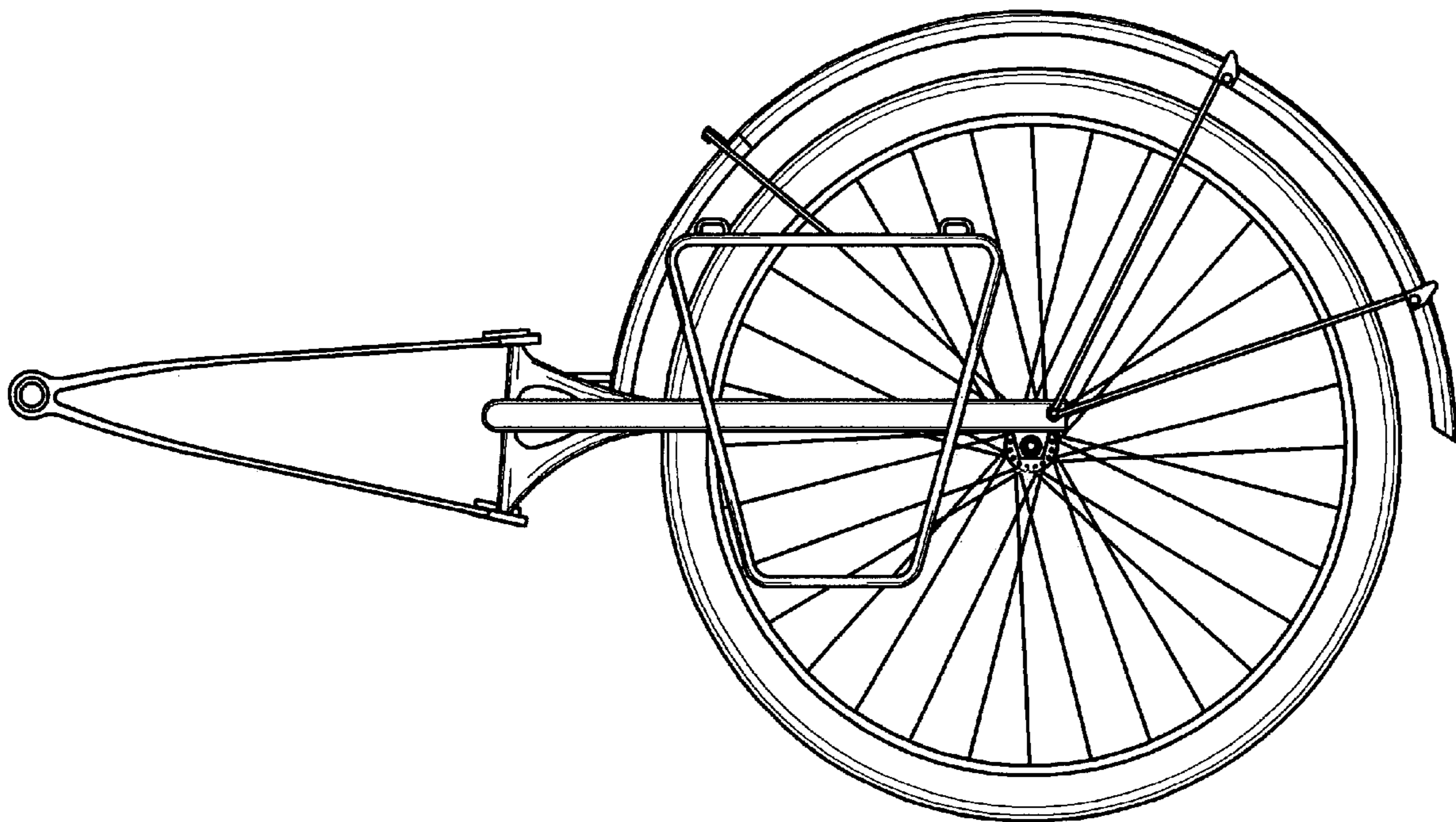
FIG. 4 is a top plan view thereof;

FIG. 5 is a bottom plan view thereof;

FIG. 6 is a front elevational view thereof; and,

FIG. 7 is a rear elevational view thereof.

**1 Claim, 5 Drawing Sheets**



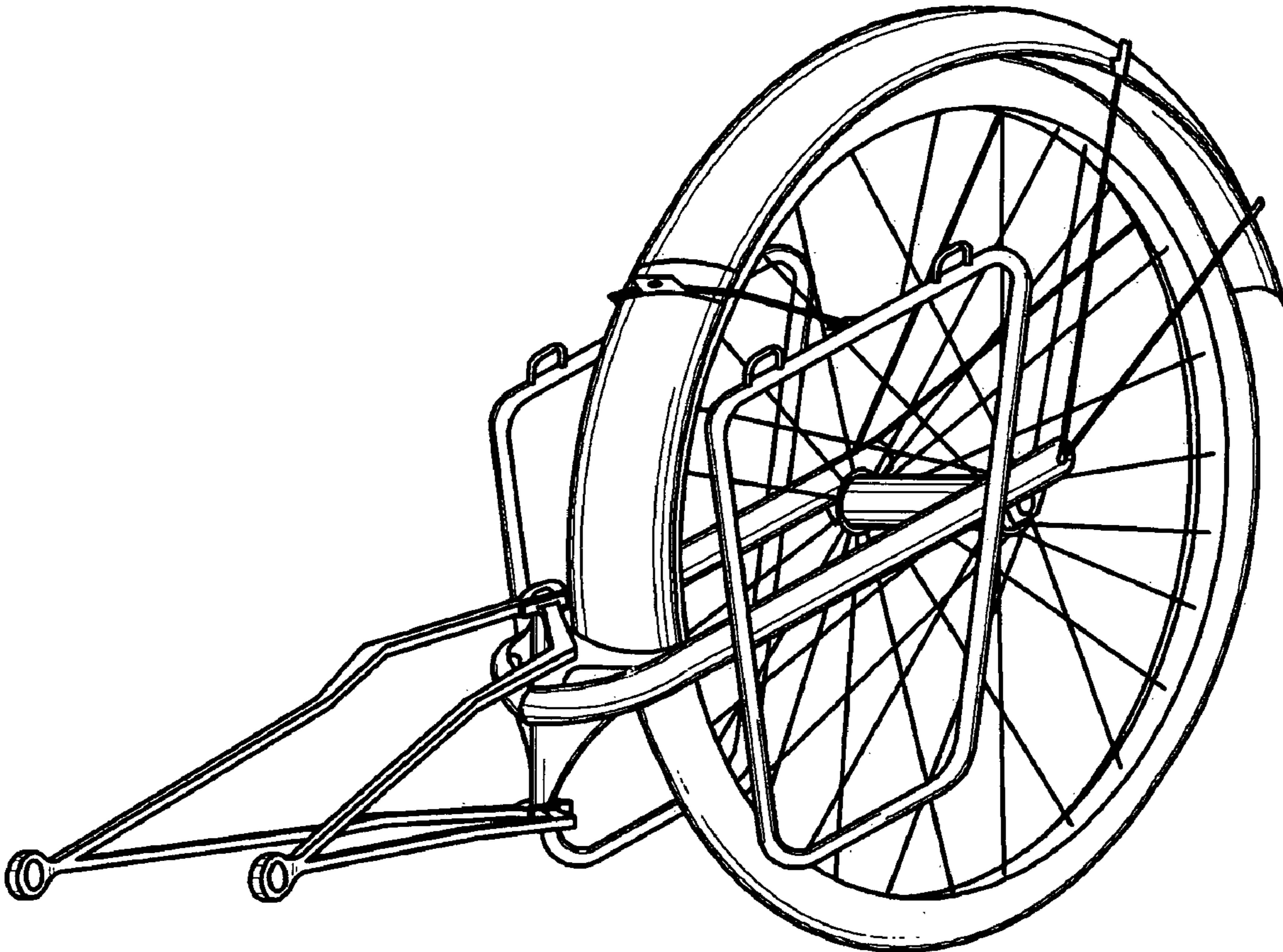


Fig. 1

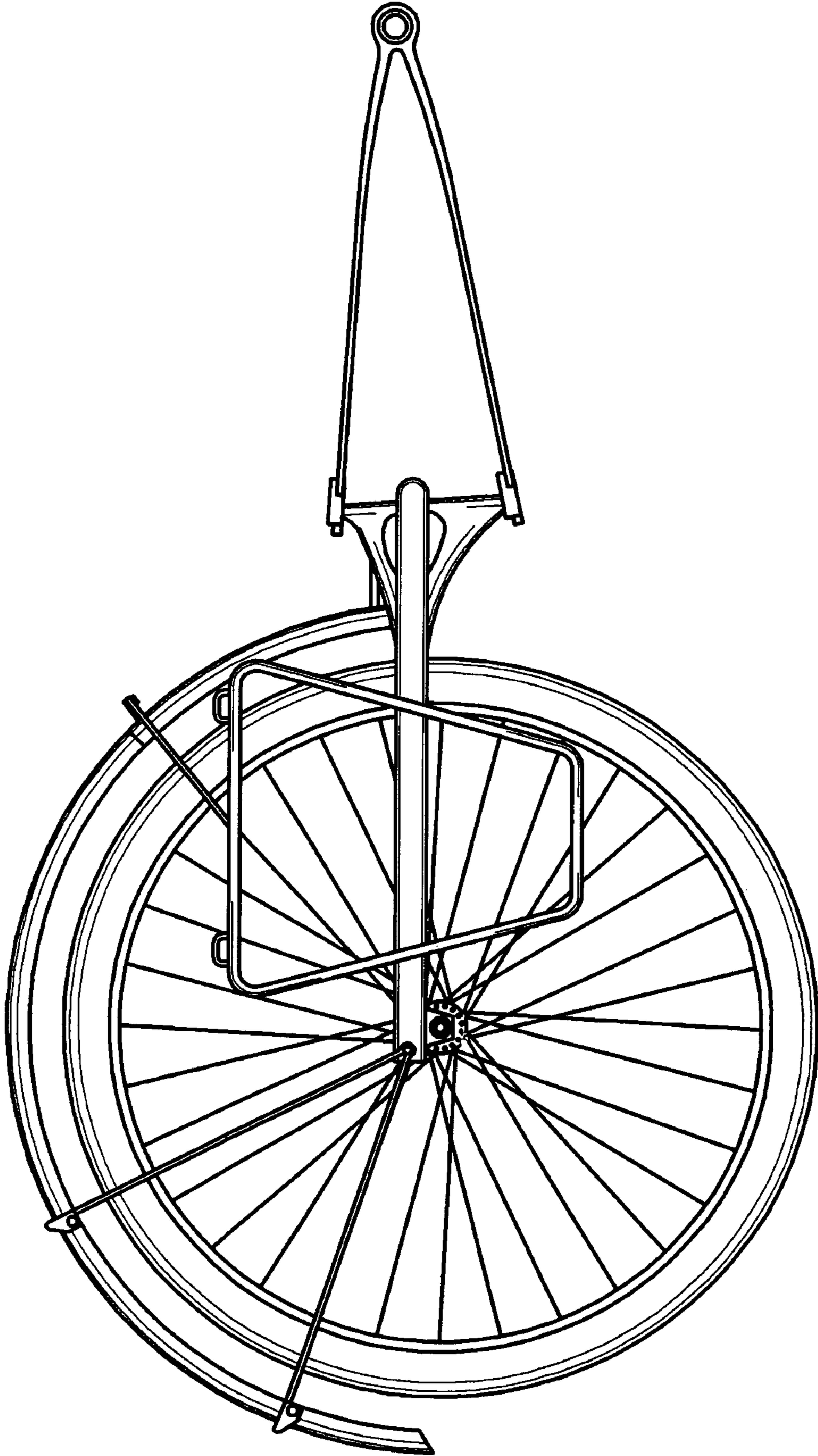


Fig.2

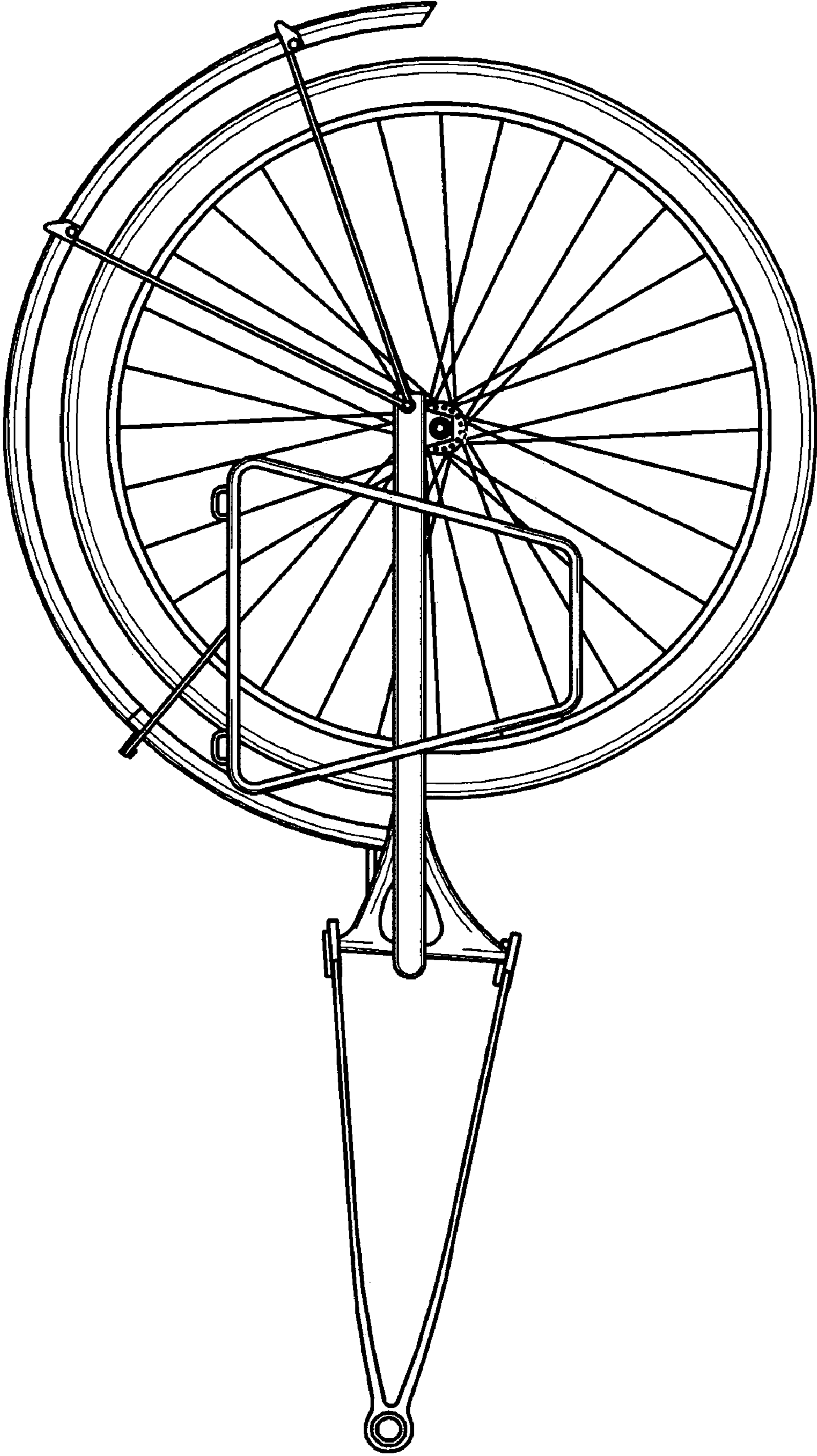


Fig. 3

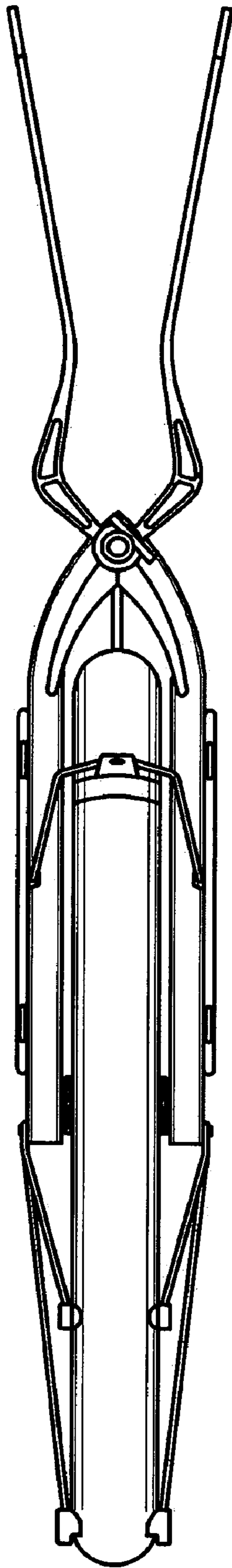


Fig. 4

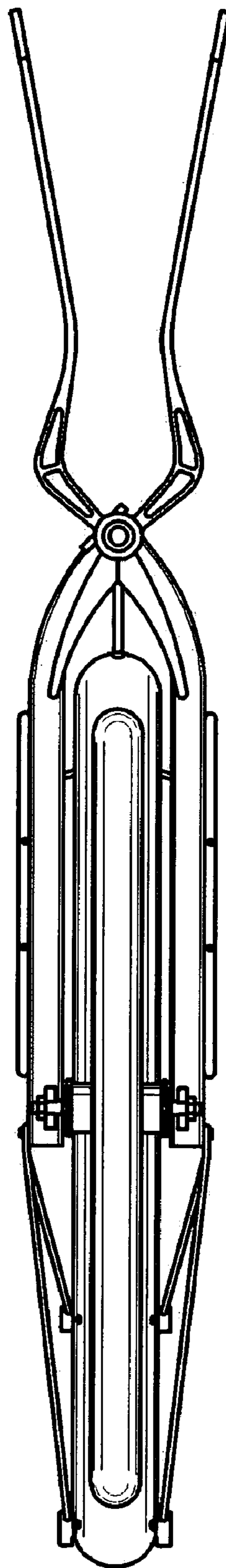


Fig. 5

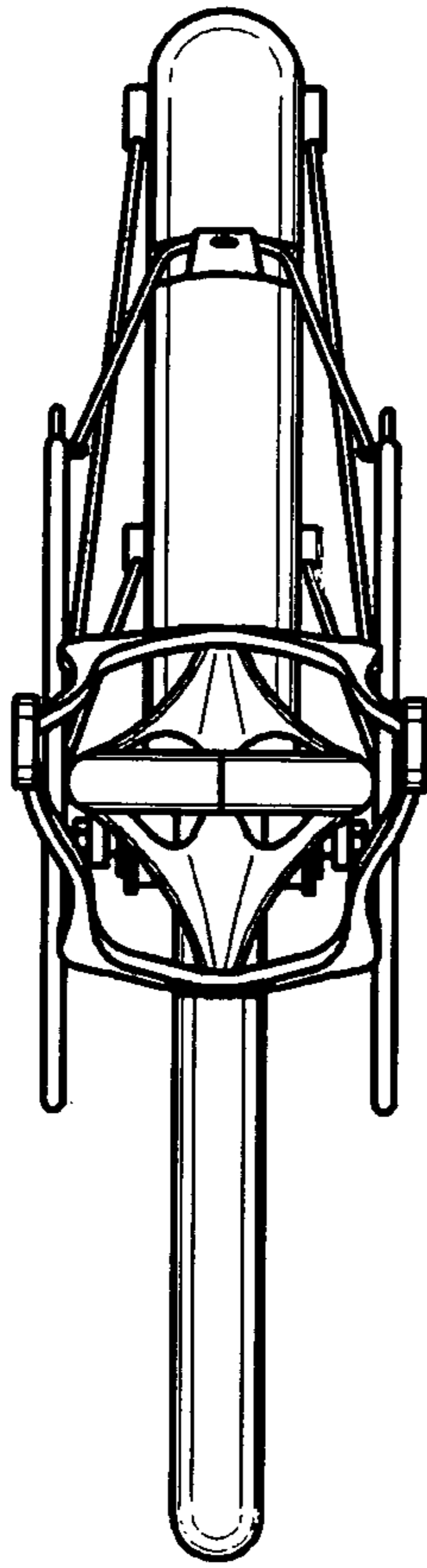


Fig.6

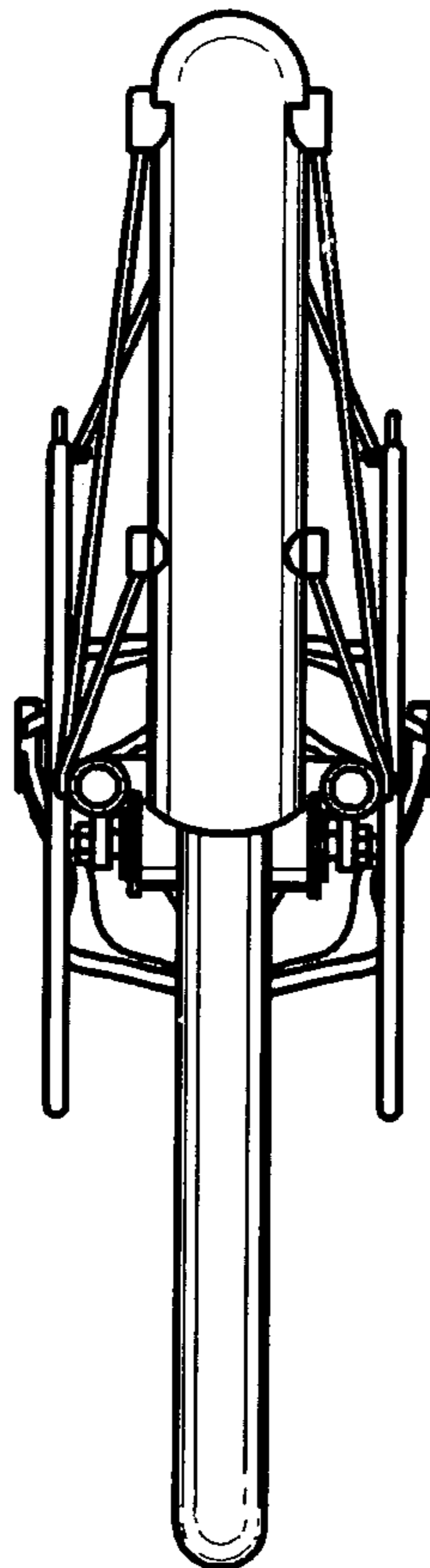


Fig.7