



US00D619499S

(12) **United States Design Patent**
Weyer et al.

(10) **Patent No.:** **US D619,499 S**
(45) **Date of Patent:** **** Jul. 13, 2010**

(54) **ONE-SIDED ZIPPER PULL / KEYCHAIN
ORNAMENT FOR ENGAGING A
DECORATIVE BUTTON**

D463,104 S * 9/2002 Ames D3/207
6,723,447 B1 * 4/2004 Braunberger 428/542.4
D519,057 S * 4/2006 Gracer D11/221
D521,231 S * 5/2006 Ng D3/208
D531,545 S * 11/2006 Yamazaki D11/221
D578,431 S * 10/2008 Weyer et al. D11/221
D578,432 S * 10/2008 Weyer et al. D11/221

(75) Inventors: **Leslie Weyer**, Brownsville, WI (US);
Bruce Weyer, Campbellsport, WI (US)

(73) Assignee: **Tecre Co., Inc.**, Fond du Lac, WI

(**) Term: **14 Years**

(21) Appl. No.: **29/308,229**

(22) Filed: **Jun. 3, 2008**

Related U.S. Application Data

(63) Continuation-in-part of application No. 29/291,296,
filed on Aug. 22, 2007, now Pat. No. Des. 578,432.

(51) **LOC (9) Cl.** **02-07**

(52) **U.S. Cl.** **D11/221; D3/208**

(58) **Field of Classification Search** D11/200,
D11/201, 206–221; 24/381–383, 385–387,
24/414–417, 421–422, 427–431, 433; 2/265
See application file for complete search history.

(56) **References Cited**

U.S. PATENT DOCUMENTS

D382,704 S * 8/1997 Petruzzi D3/207
D388,602 S * 1/1998 Petruzzi D3/208
D390,812 S * 2/1998 Oda D11/221
D406,396 S * 3/1999 Granwehr D28/76
D431,341 S * 9/2000 DiPaolo et al. D99/34
D442,363 S * 5/2001 Magid et al. D3/208

* cited by examiner

Primary Examiner—Ralf Seifert

(74) *Attorney, Agent, or Firm*—Ryan Kromholz & Manion,
S.C.

(57) **CLAIM**

The ornamental design for a one-sided zipper pull/keychain
ornament for engaging a decorative button, as shown and
described.

DESCRIPTION

FIG. 1 is a perspective view of our ornament;

FIG. 2 is a top plan view;

FIG. 3 is a bottom plan view;

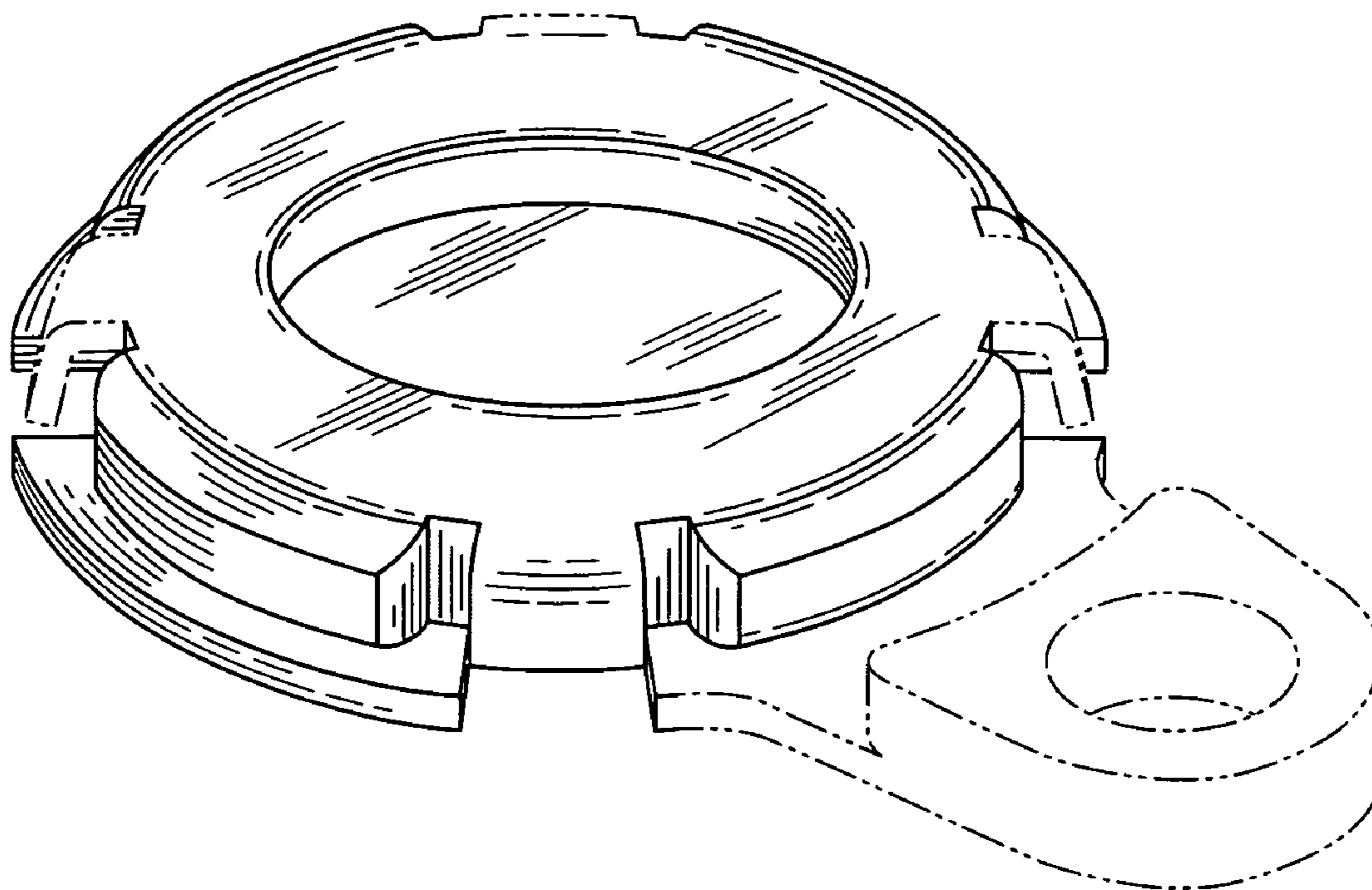
FIG. 4 is a left side view, the right side view being a mirror
image;

FIG. 5 is a front plan view; and,

FIG. 6 is a back plan view.

The broken line showing of an attachment tab and smaller
tabs located on the side edge is included for the purpose of
illustrating environmental matter and forms no part of the
claimed design.

1 Claim, 2 Drawing Sheets



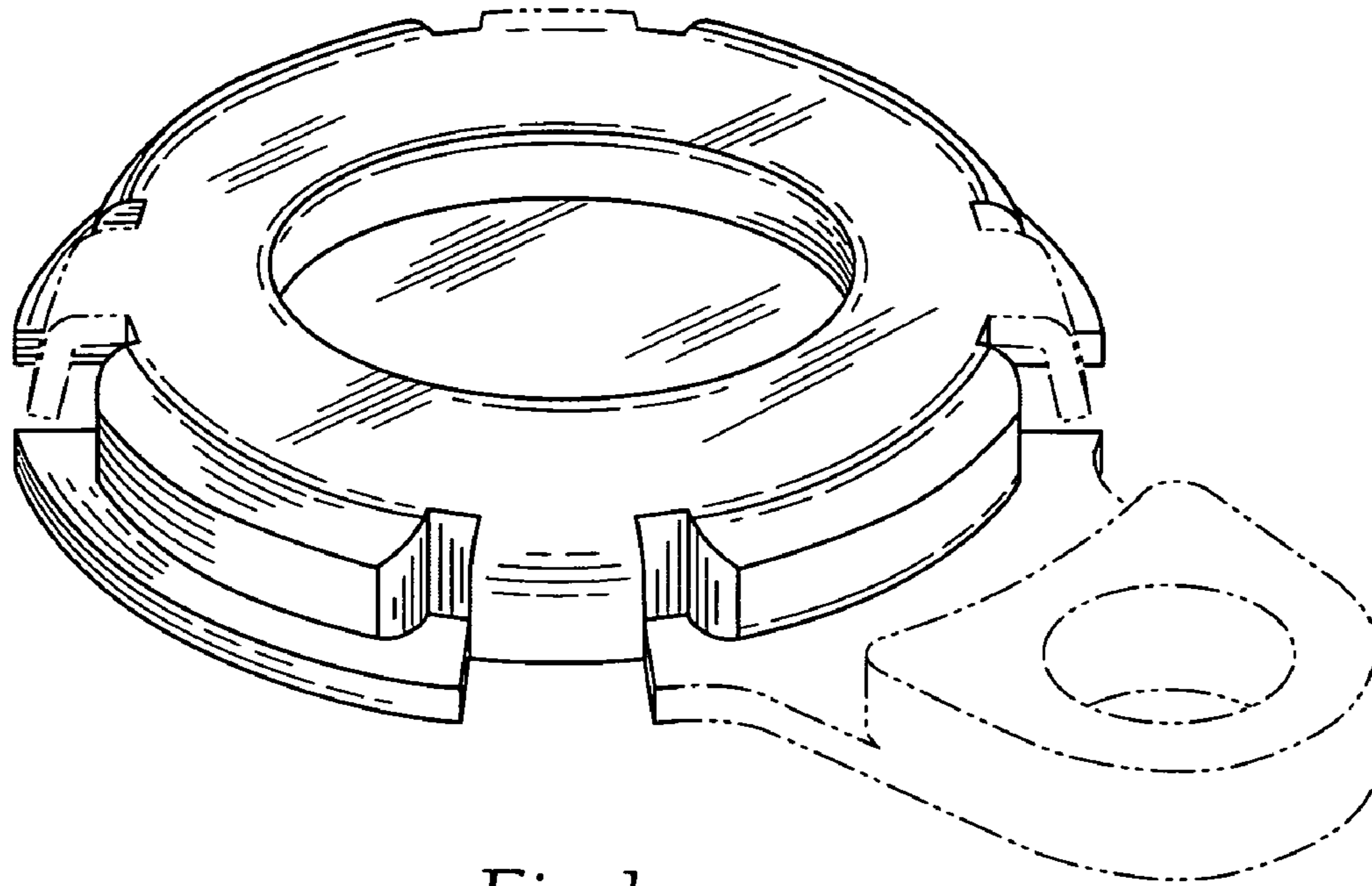


Fig. 1

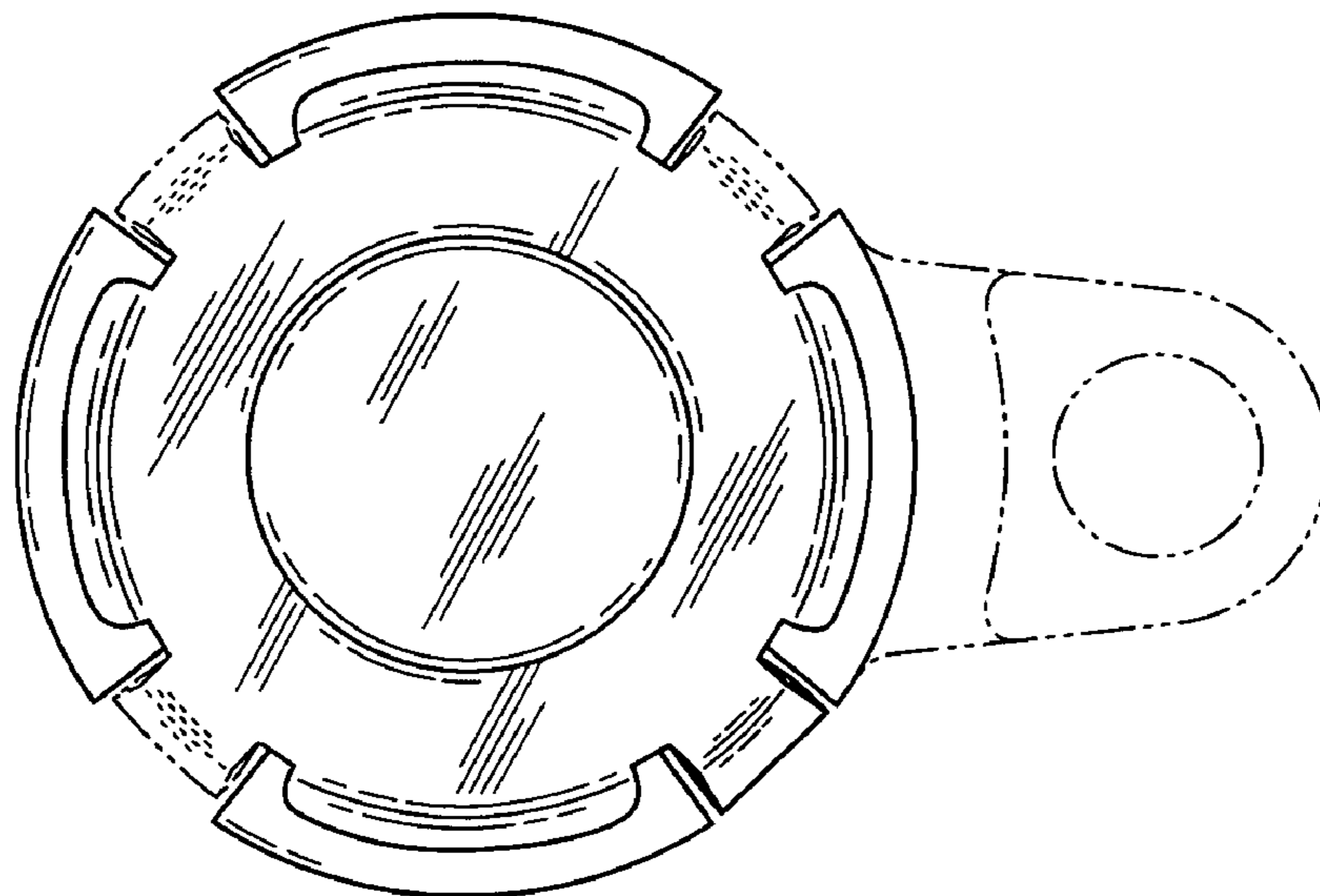


Fig. 2

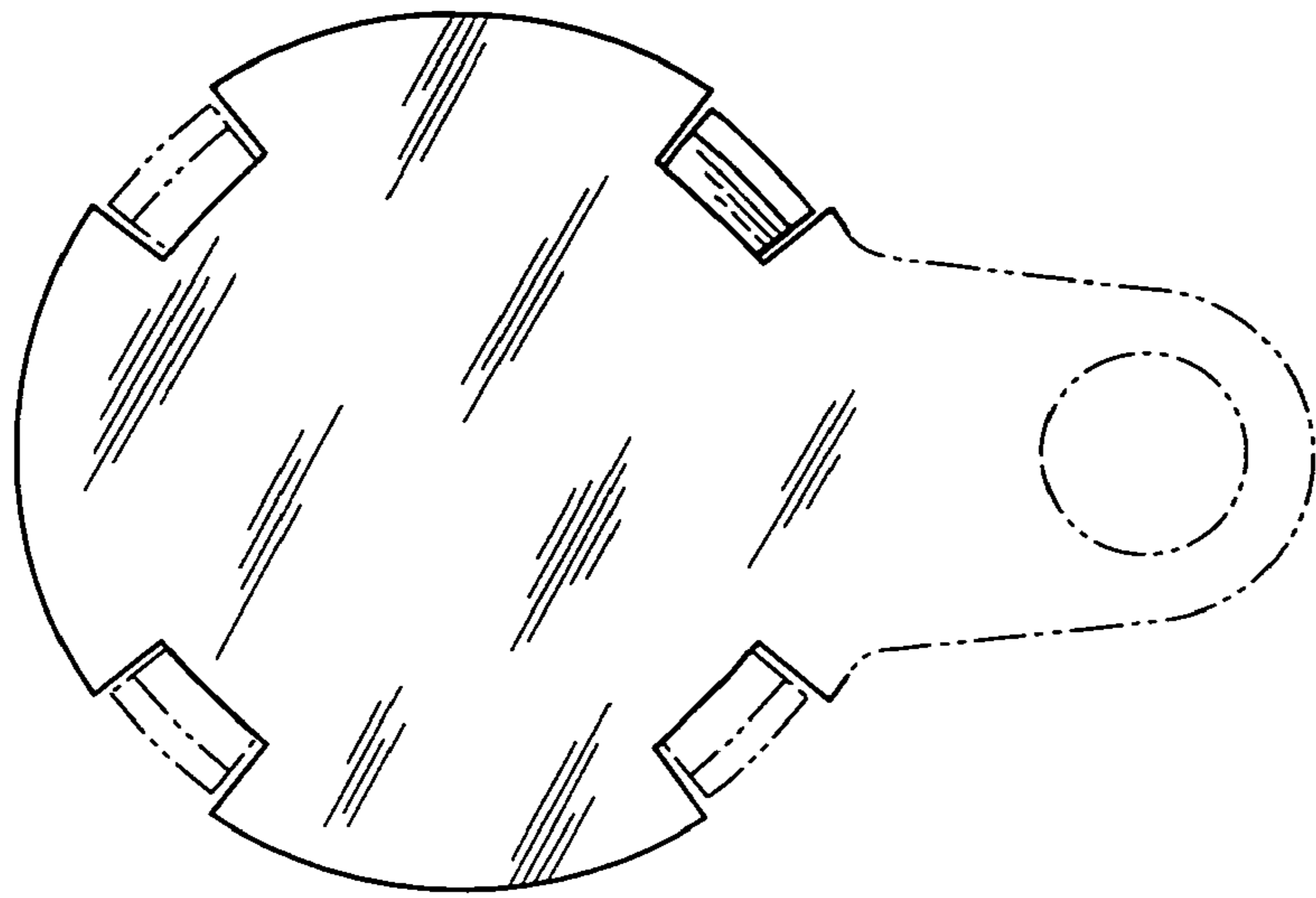


Fig. 3



Fig. 4

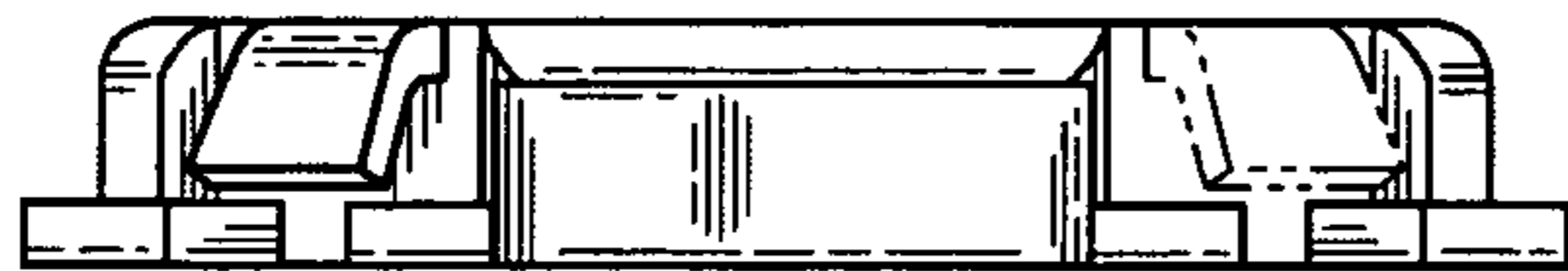


Fig. 5

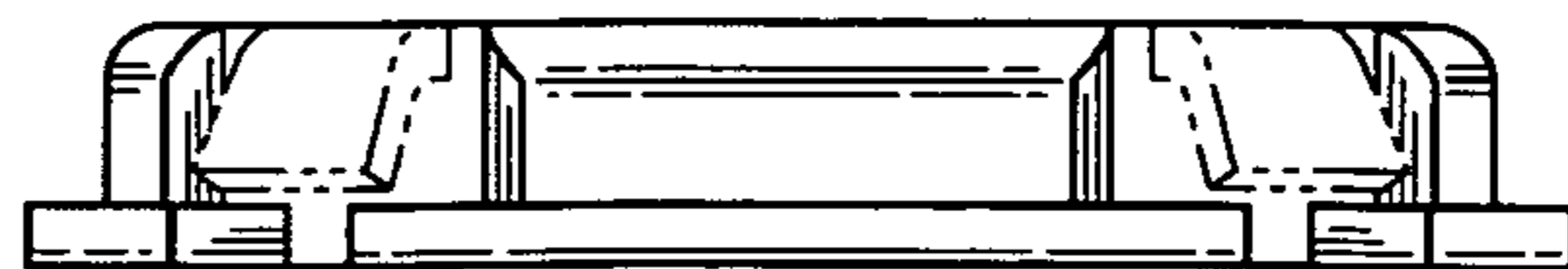


Fig. 6