



US00D619496S

(12) **United States Design Patent**
Paik

(10) **Patent No.:** **US D619,496 S**
(45) **Date of Patent:** **** Jul. 13, 2010**

(54) **FEMALE RECEPTACLE OF Y-BUCKLE**

D593,902 S * 6/2009 Yoshiguchi D11/216

(76) Inventor: **Jisook Paik**, 108-403 LG Zai Apartment,
Icheon-dong, Yongsan-gu, Seoul (KR)
140-774

* cited by examiner

Primary Examiner—Ralf Seifert

(74) *Attorney, Agent, or Firm*—Jae Y. Park; Kile Goekjian
Reed & McManus

(**) Term: **14 Years**

(21) Appl. No.: **29/342,729**

(57) **CLAIM**

(22) Filed: **Aug. 31, 2009**

I claim, the ornamental design for a female receptacle of Y-buckle, as shown and described.

(30) **Foreign Application Priority Data**

DESCRIPTION

Apr. 11, 2009 (KR) 30-2009-0015398

FIG. 1 is a perspective view of a female receptacle of Y-buckle, showing my new design;

(51) **LOC (9) Cl.** **02-07**

FIG. 2 is a front elevational view thereof;

(52) **U.S. Cl.** **D11/216**

FIG. 3 is a rear elevational view thereof;

(58) **Field of Classification Search** D11/1-2,
D11/200-201, 203-206, 210, 212, 214-219,
D11/222, 224, 226; 24/163 R, 169-171,
24/173, 177-179, 191, 194-195, 197, 200
See application file for complete search history.

FIG. 4 is a left side elevational view thereof;

FIG. 5 is a right side elevational view thereof;

FIG. 6 is a top plan view thereof;

FIG. 7 is a bottom plan view thereof;

(56) **References Cited**

FIG. 8 is a cross-sectional view thereof taken along line 'A—A' in FIG. 2; and,

FIG. 9 is a reference perspective view showing the female receptacle of Y-buckle coupled with a male latch of Y-buckle.

U.S. PATENT DOCUMENTS

The broken lines shown in FIG. 9 are for illustrative purposes only and form no part of the claimed design.

- D493,385 S * 7/2004 Uehara et al. D11/216
- D521,411 S * 5/2006 Moeller et al. D11/216
- 7,089,633 B2 * 8/2006 Liu 24/615
- D535,212 S * 1/2007 Pontaoe D11/216
- D566,003 S * 4/2008 Anscher D11/216
- D576,074 S * 9/2008 Yoshiguchi D11/216

1 Claim, 3 Drawing Sheets

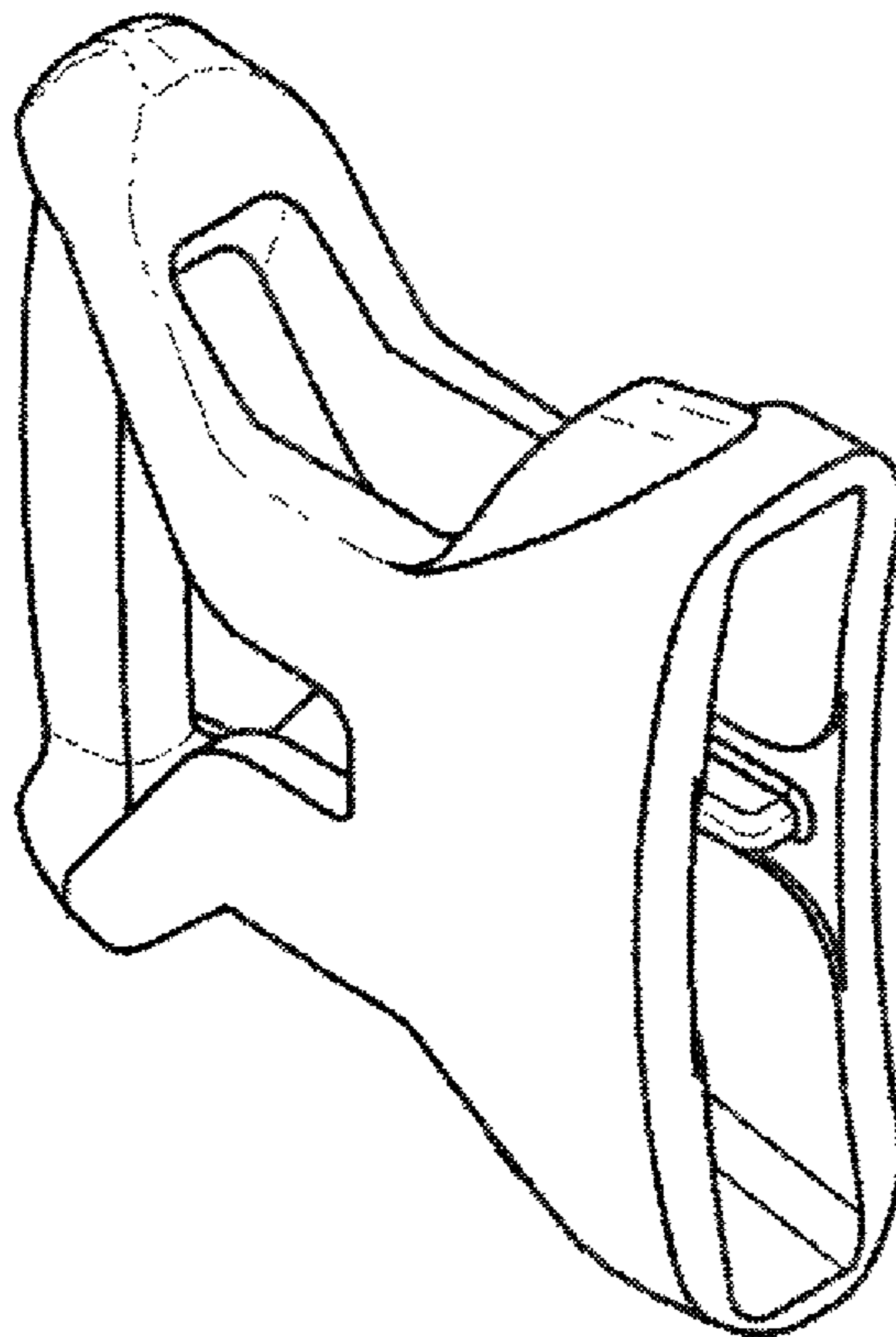


FIG. 1

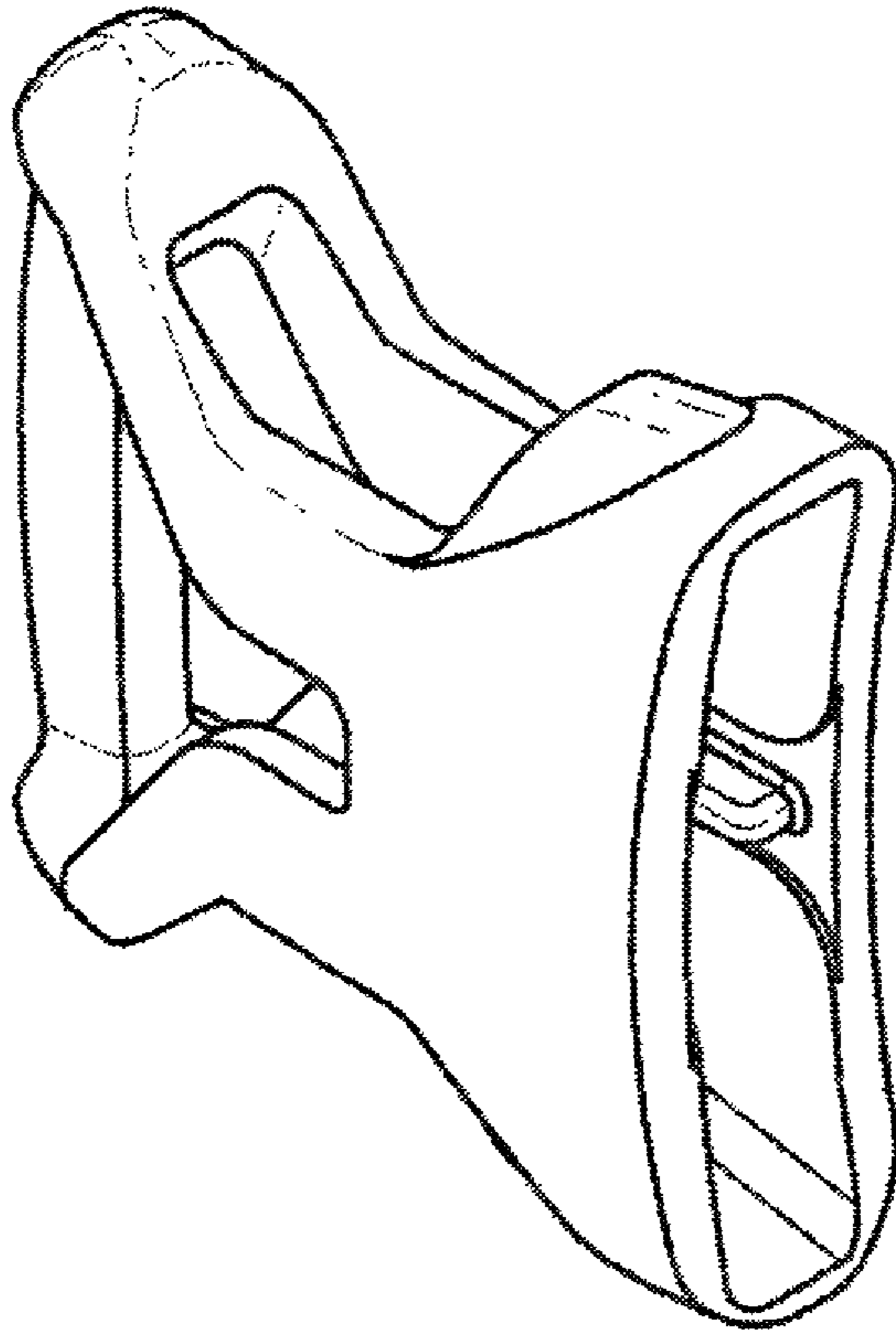


FIG. 2

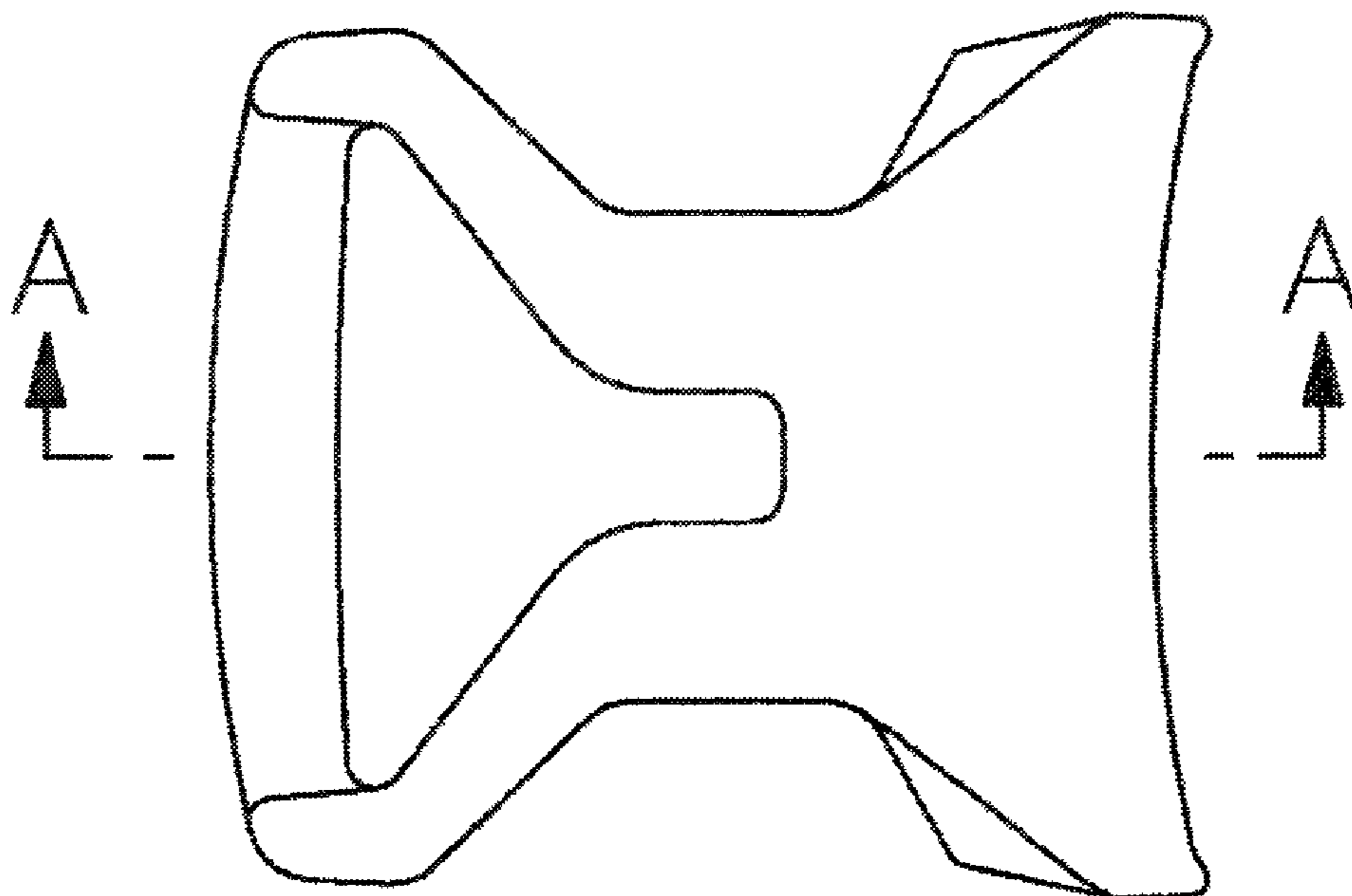


FIG. 3

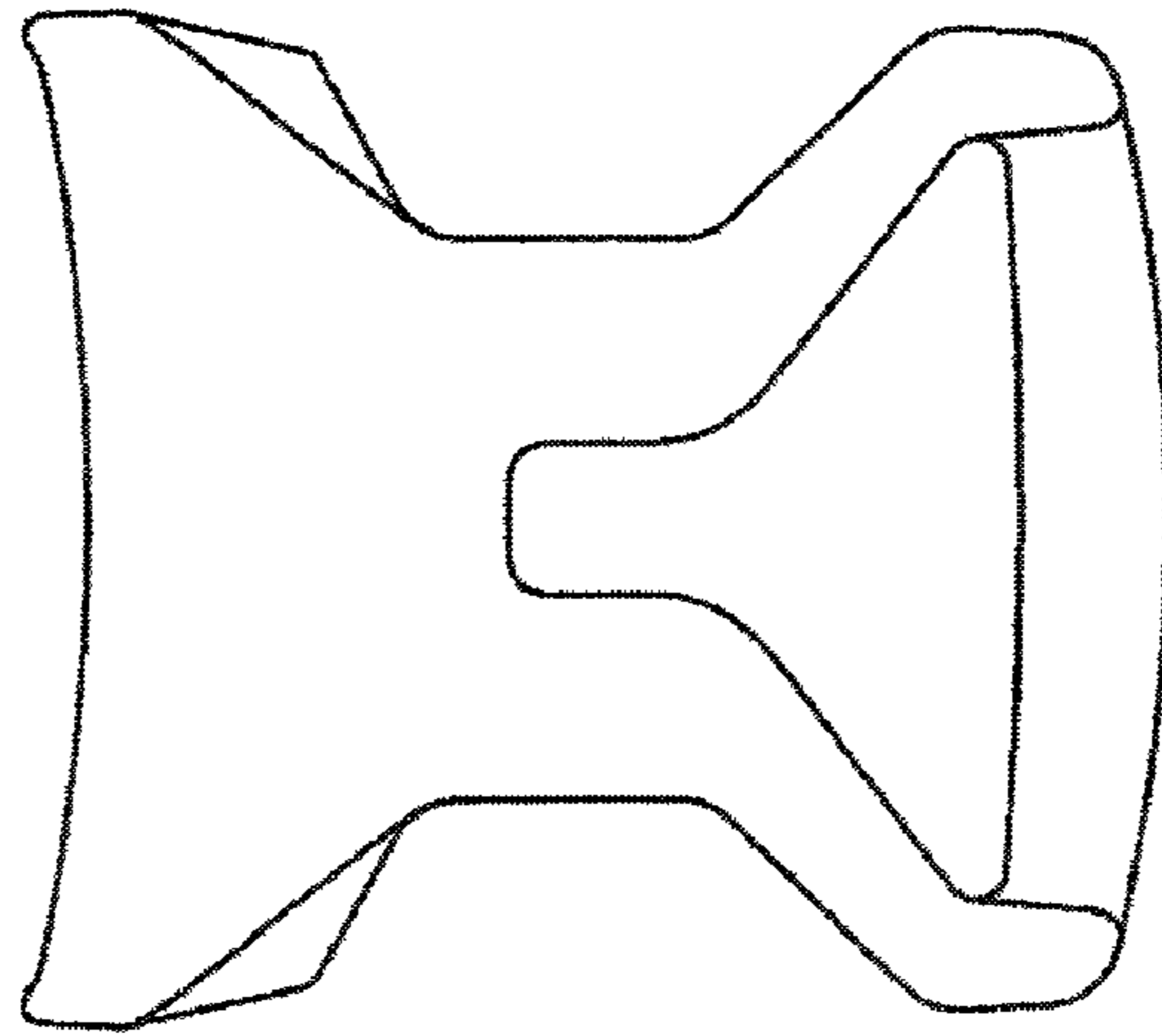


FIG. 4

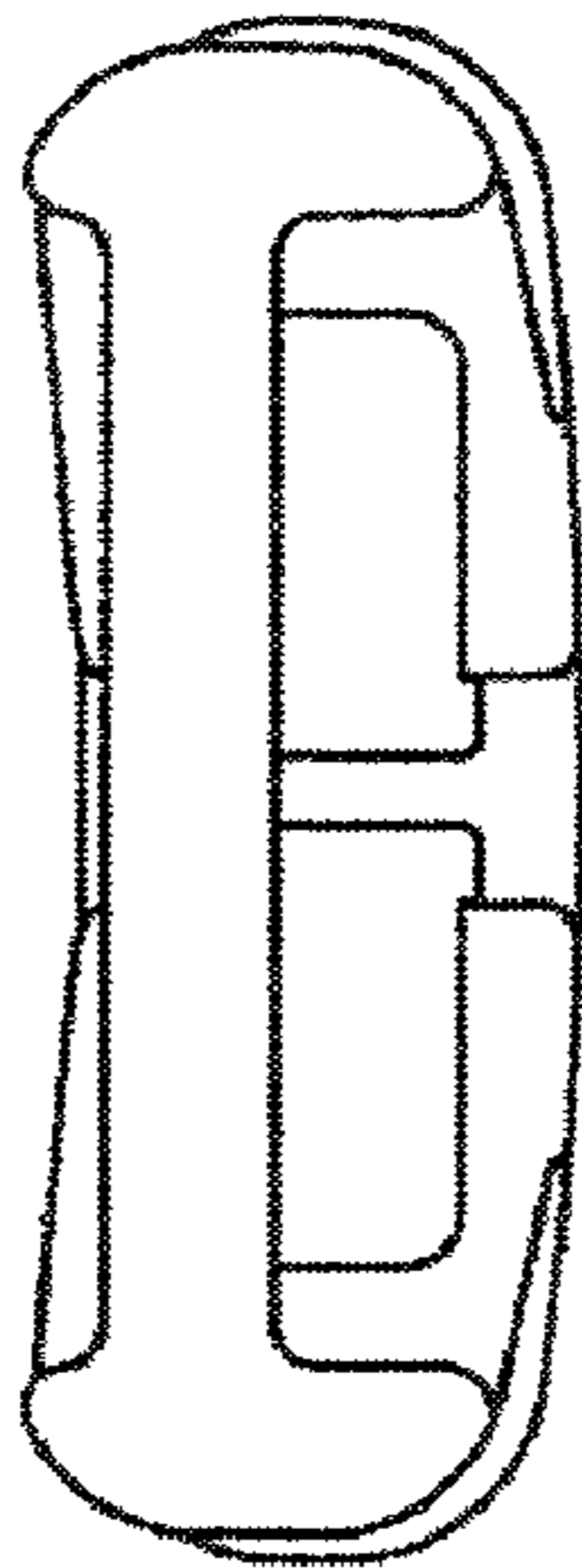


FIG. 5

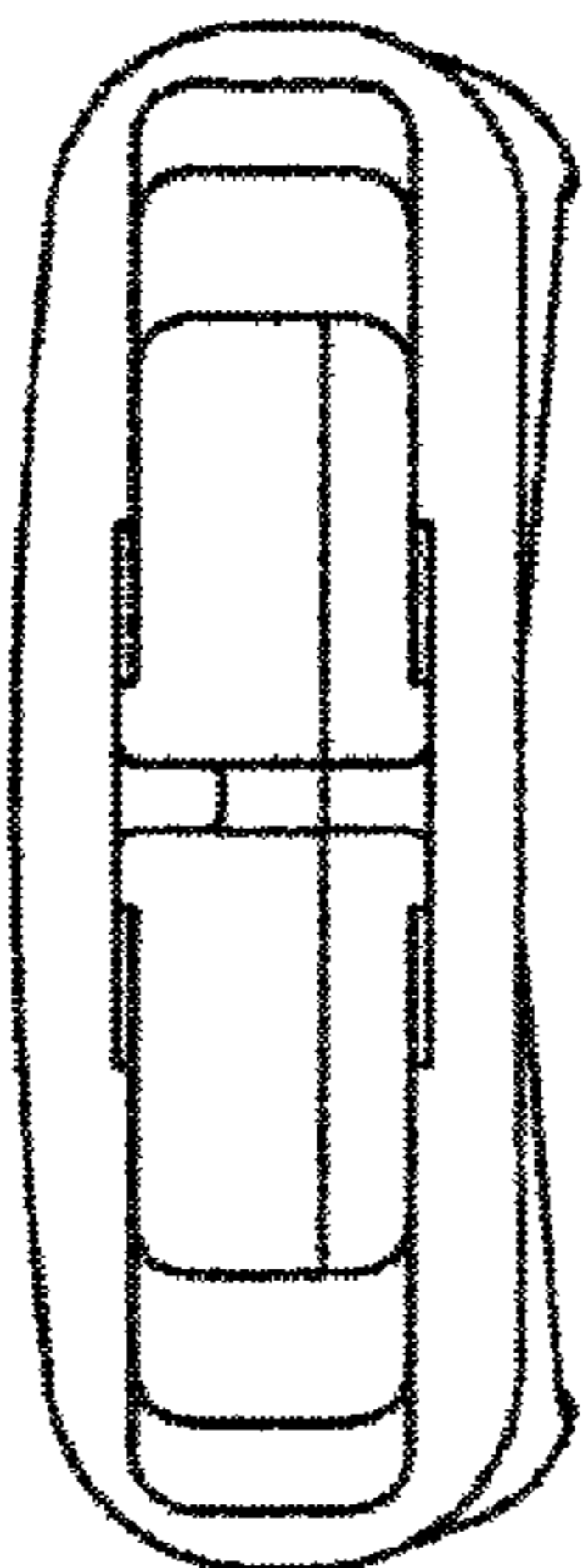


FIG. 6

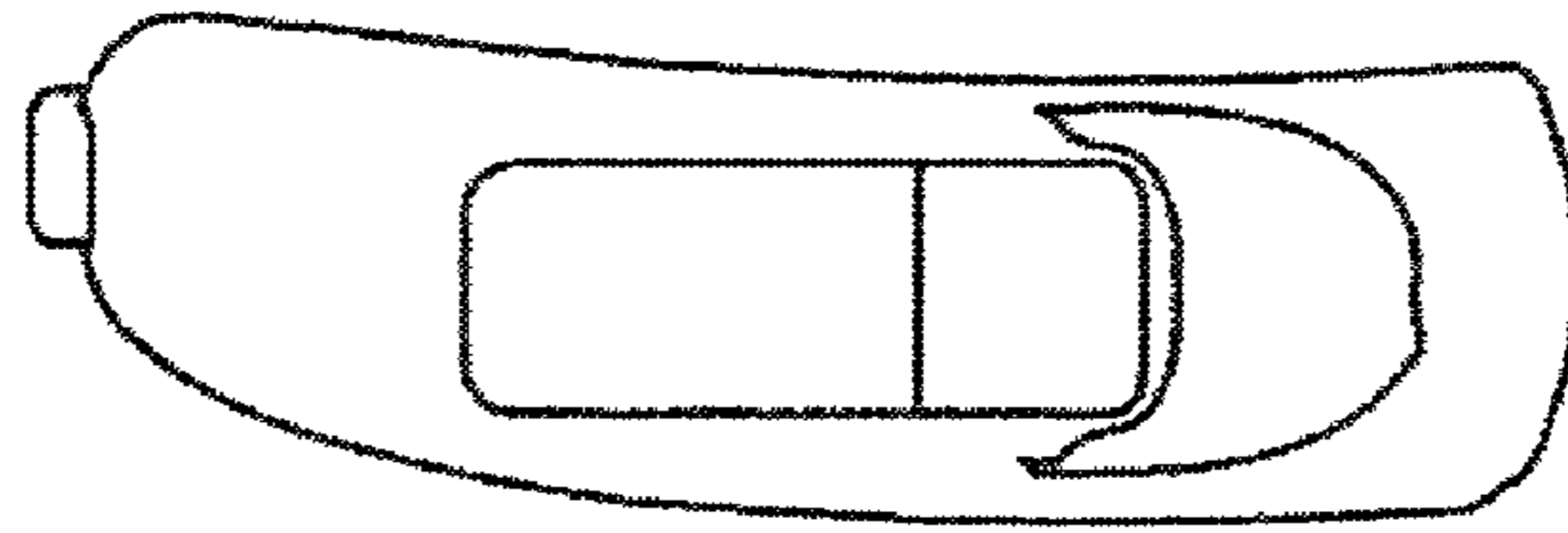


FIG. 7

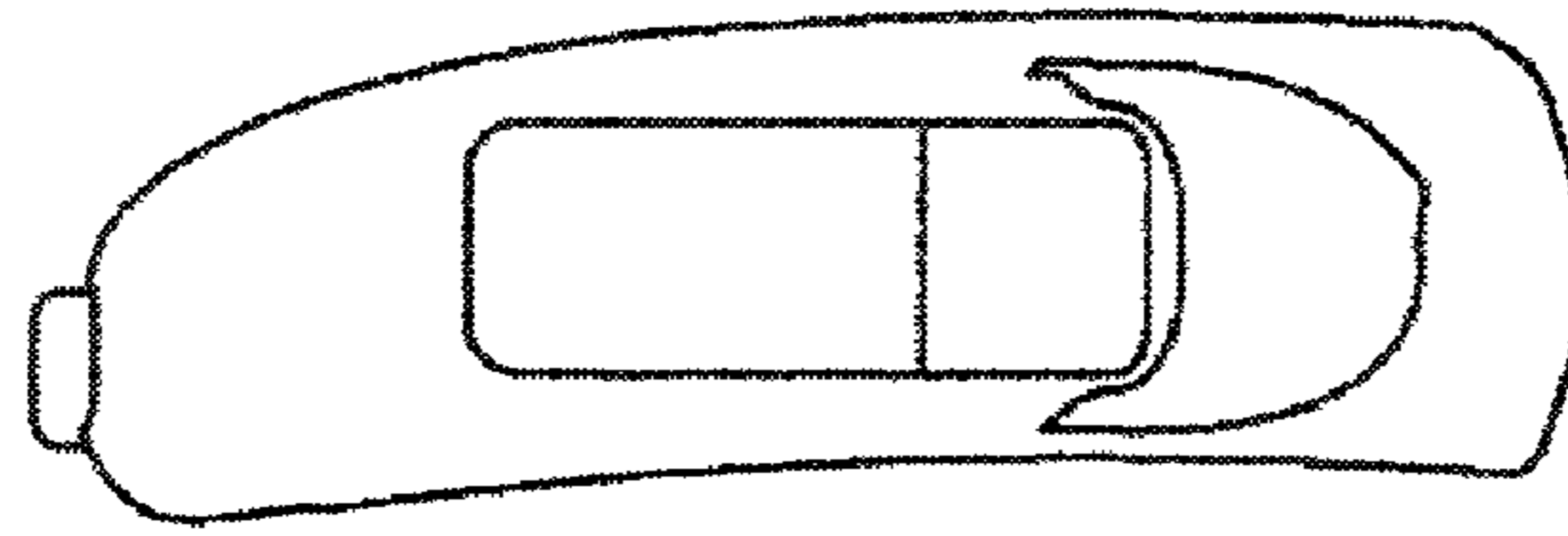


FIG. 8

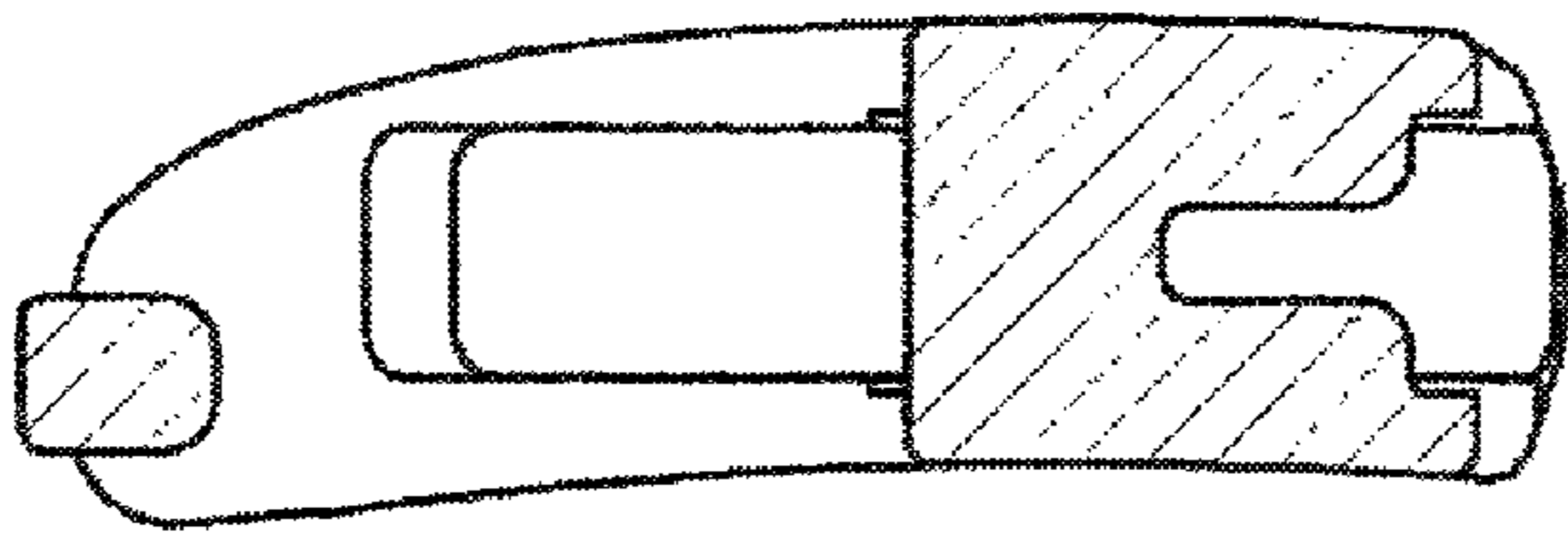


FIG. 9

