



US00D619489S

(12) **United States Design Patent**
Grillo

(10) **Patent No.:** **US D619,489 S**

(45) **Date of Patent:** **** Jul. 13, 2010**

(54) **POCKET ADORNMENT**

D408,967 S * 5/1999 Van Hoesen D2/857

(76) Inventor: **David J. Grillo**, 24 Old Farm Rd.,
Oxford, CT (US) 06478

* cited by examiner

(**) Term: **14 Years**

Primary Examiner—Ian Simmons

Assistant Examiner—Wan Laymon

(21) Appl. No.: **29/329,010**

(74) *Attorney, Agent, or Firm*—QuickPatents, Inc.; Kevin Prince

(22) Filed: **Dec. 5, 2008**

(57) **CLAIM**

(51) **LOC (9) Cl.** **11-01**

I claim the ornamental design for a pocket adornment, as shown and described.

(52) **U.S. Cl.** **D11/78.1; D2/853**

(58) **Field of Classification Search** D2/844,

D2/828, 839, 836, 860, 862, 863, 857, 853;

D11/78.1, 1–2, 200–201, 95; D19/65, 86;

D20/43; 2/247, 251, 254; 24/3.1, 3.12, 3.11,

24/6.12, 67.9, 530, 545–546, 563; D3/247;

206/37; D8/300, 395, 371, 354; 150/137;

40/649, 654.01, 658, 642.01, 642.02

See application file for complete search history.

DESCRIPTION

FIG. 1 is a front elevational view of a pocket adornment showing my new design, where the broken lines showing portions of a person and clothing are included for illustrating environmental structure and form no part of the claimed design.

FIG. 2 is a perspective view of the invention;

FIG. 3 is a rear elevational view of the invention;

FIG. 4 is a front elevational view of the invention;

FIG. 5 is a left-side elevational view of the invention, the right-side elevational view being a mirror image thereof;

FIG. 6 is a top plan view of the invention; and,

FIG. 7 is a bottom plan view of the invention.

(56) **References Cited**

U.S. PATENT DOCUMENTS

3,216,135 A * 11/1965 Wright D2/853

D225,906 S * 1/1973 Cline D19/65

D242,431 S * 11/1976 Carroll D20/43

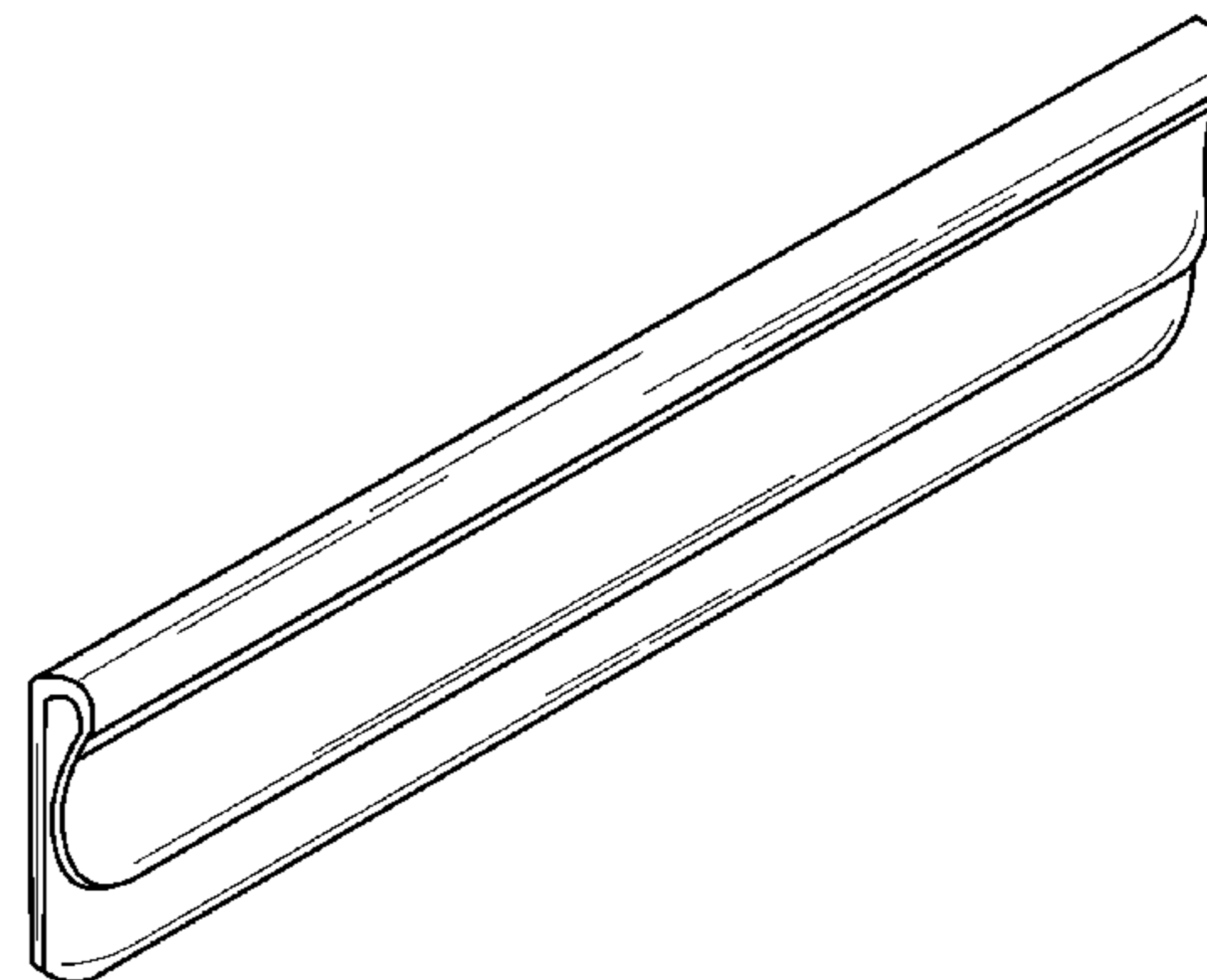
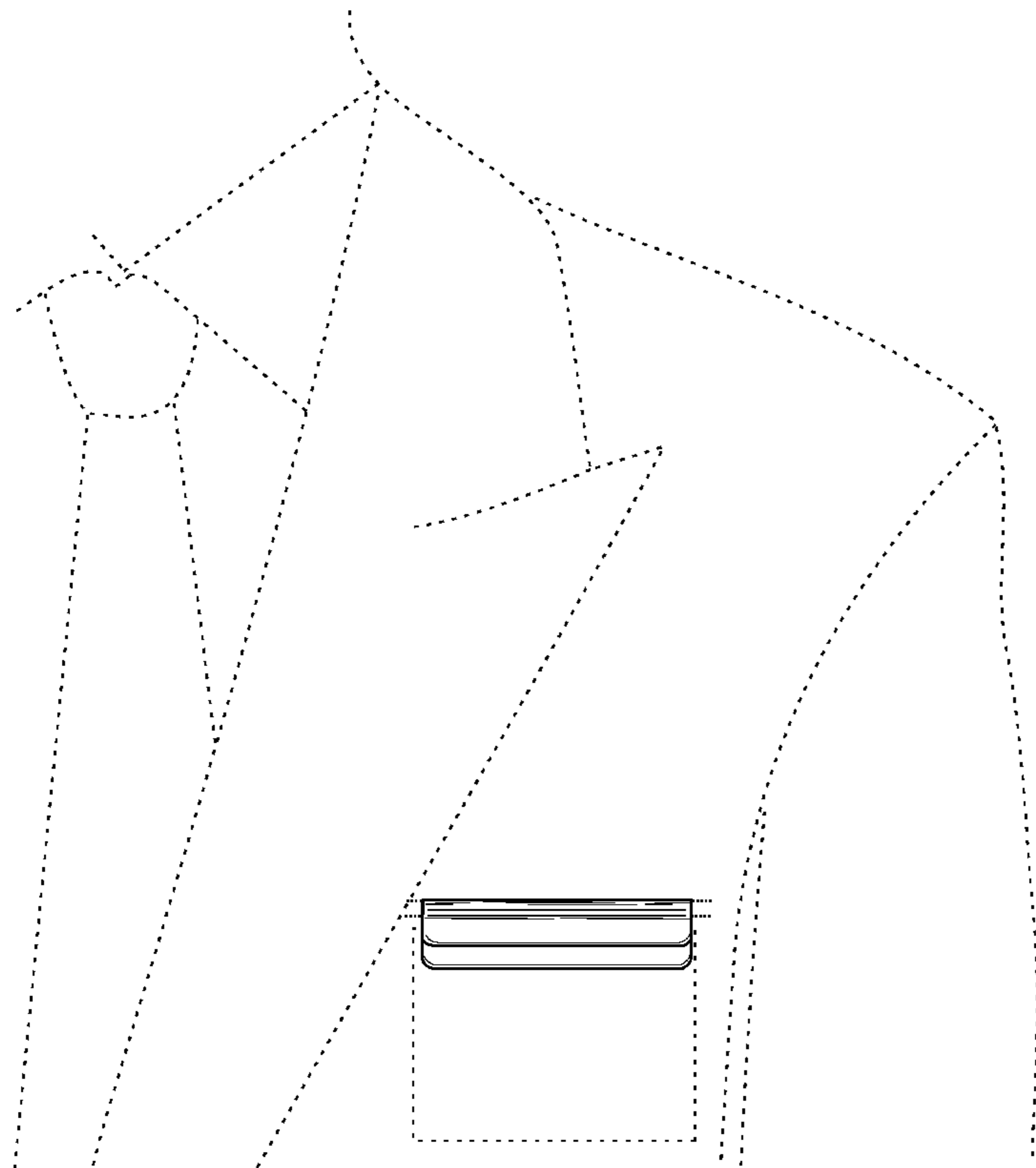
D283,844 S * 5/1986 Saad et al. D11/78.1

4,650,069 A * 3/1987 Linton 206/37

D374,598 S * 10/1996 Bailey et al. D8/330

D388,695 S * 1/1998 Alcini D8/395

1 Claim, 3 Drawing Sheets



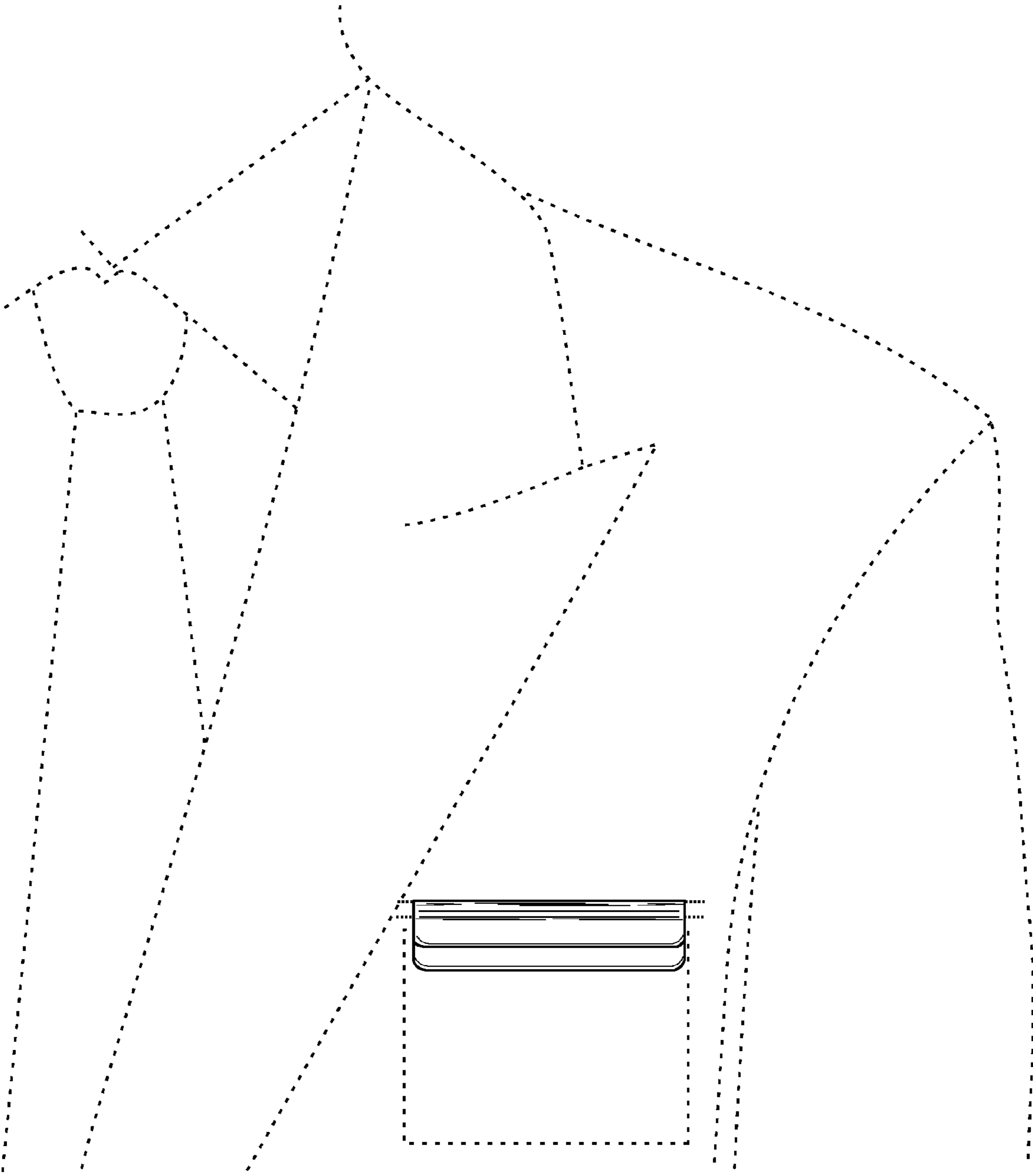


FIG. 1

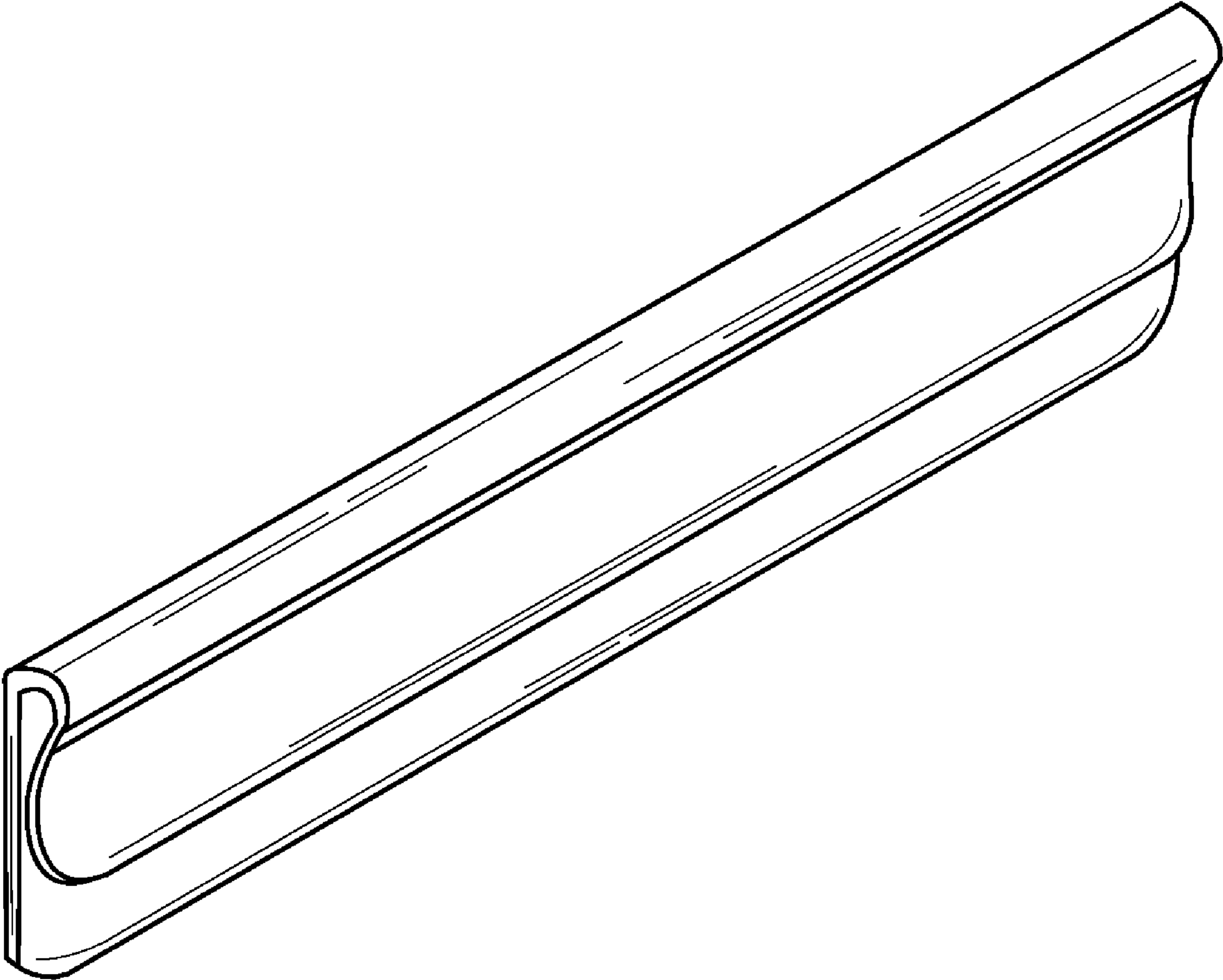


FIG. 2

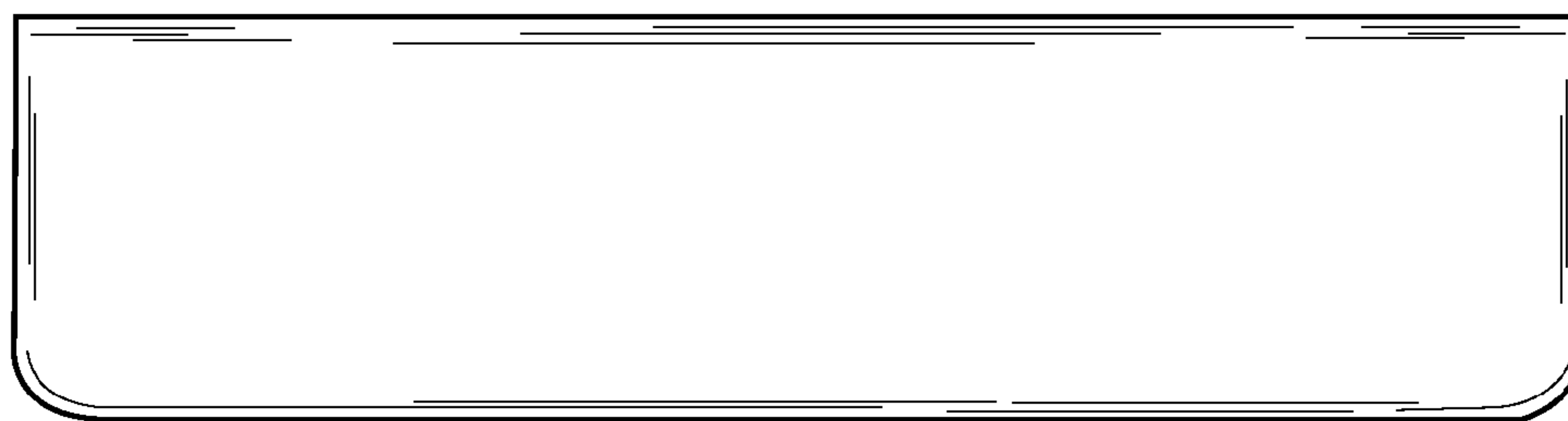


FIG. 3

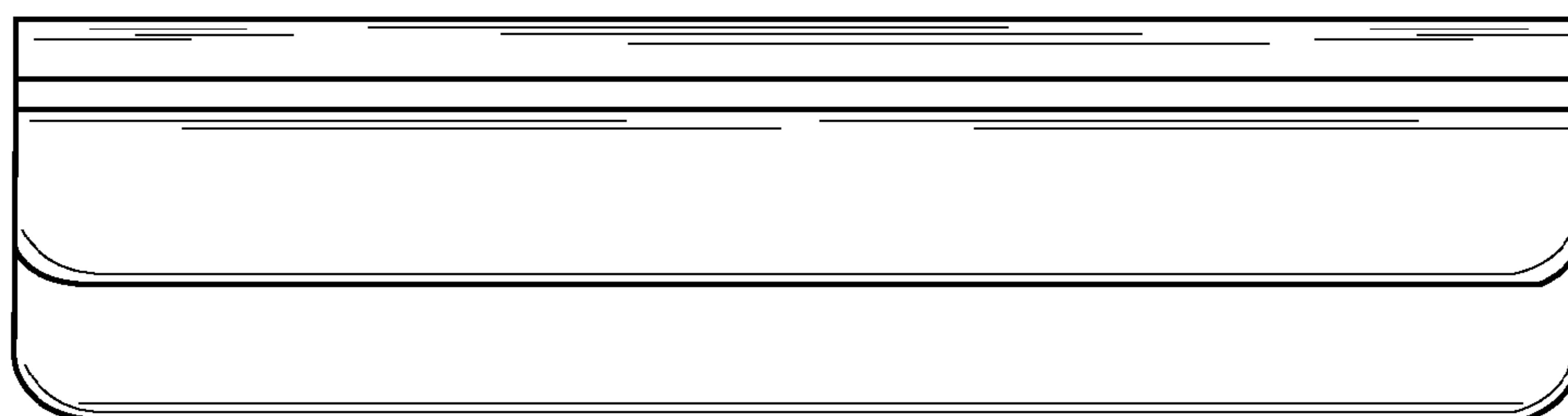


FIG. 4



FIG. 5

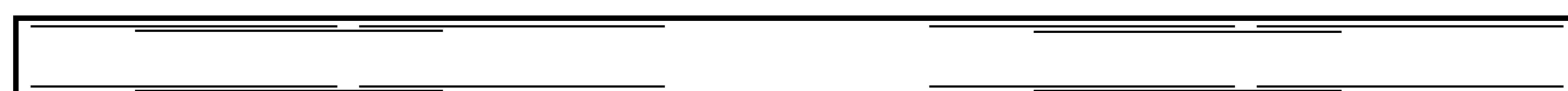


FIG. 6

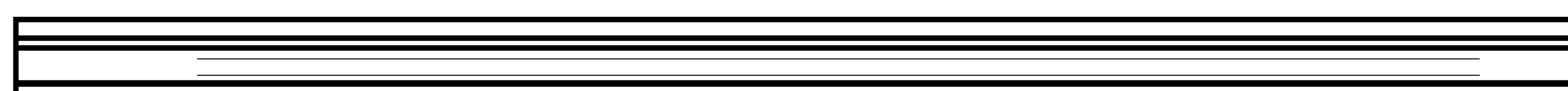


FIG. 7