



US00D619485S

(12) **United States Design Patent**
Ikeda et al.

(10) **Patent No.:** **US D619,485 S**
(45) **Date of Patent:** **** Jul. 13, 2010**

(54) **MOTION SENSOR**

(75) Inventors: **John Ikeda**, Seattle, WA (US); **Stephen Christopher**, Chicago, IL (US); **Scott Harold Wilson**, Chicago, IL (US)

(73) Assignee: **Microsoft Corporation**, Redmond, WA (US)

(**) Term: **14 Years**

(21) Appl. No.: **29/353,406**

(22) Filed: **Jan. 7, 2010**

(51) **LOC (9) Cl.** **10-05**

(52) **U.S. Cl.** **D10/104**

(58) **Field of Classification Search** D10/46,
D10/104, 106; 340/544, 545, 555, 558, 571-573
See application file for complete search history.

(56) **References Cited**

U.S. PATENT DOCUMENTS

| | | | | |
|--------------|---------|---------------|-------|---------|
| D204,939 S * | 5/1966 | Wyse et al. | | D10/46 |
| D290,239 S * | 6/1987 | Bergeron | | D10/106 |
| D292,892 S * | 11/1987 | Ronn et al. | | D10/106 |
| D535,899 S | 1/2007 | Li | | |
| D537,001 S | 2/2007 | Li | | |
| D537,003 S | 2/2007 | Li | | |
| D543,877 S | 6/2007 | Bhavnani | | |
| D545,700 S | 7/2007 | Man | | |
| D547,222 S * | 7/2007 | Wilson et al. | | D10/104 |
| D569,745 S | 5/2008 | Bhavnani | | |

| | | |
|-----------------|---------|----------------|
| D579,804 S | 11/2008 | Li |
| D582,304 S | 12/2008 | Hashino et al. |
| D593,883 S | 6/2009 | Hol et al. |
| 2008/0077422 A1 | 3/2008 | Dooley et al. |
| 2008/0215443 A1 | 9/2008 | Dooley et al. |

* cited by examiner

Primary Examiner—Caron Veynar

Assistant Examiner—George D Kirschbaum

(74) *Attorney, Agent, or Firm*—Banner & Witcoff, Ltd.

(57) **CLAIM**

The ornamental design for a motion sensor, as shown and described.

DESCRIPTION

FIG. 1 is a front perspective view of a motion sensor showing our new design;

FIG. 2 is a front view thereof;

FIG. 3 is a rear view thereof;

FIG. 4 is a right side view thereof;

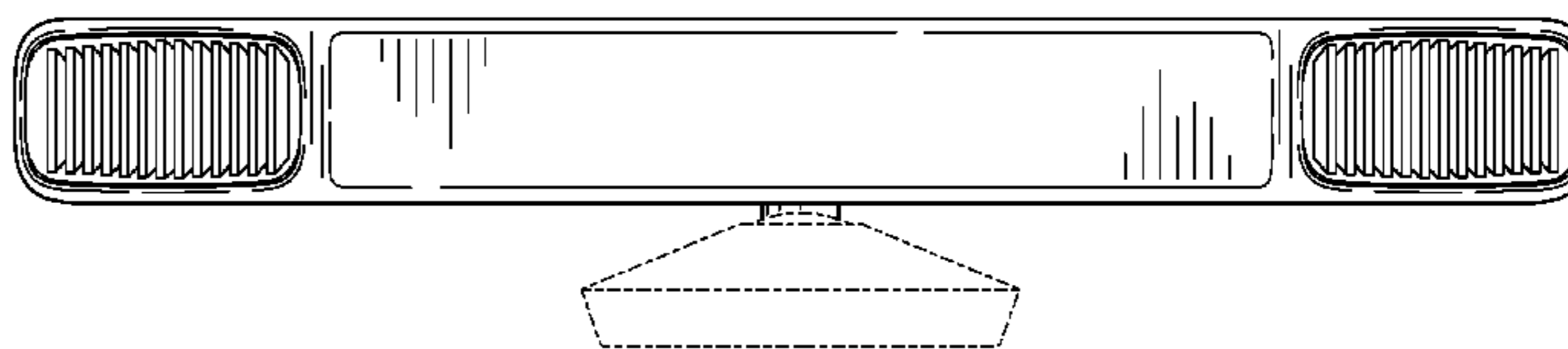
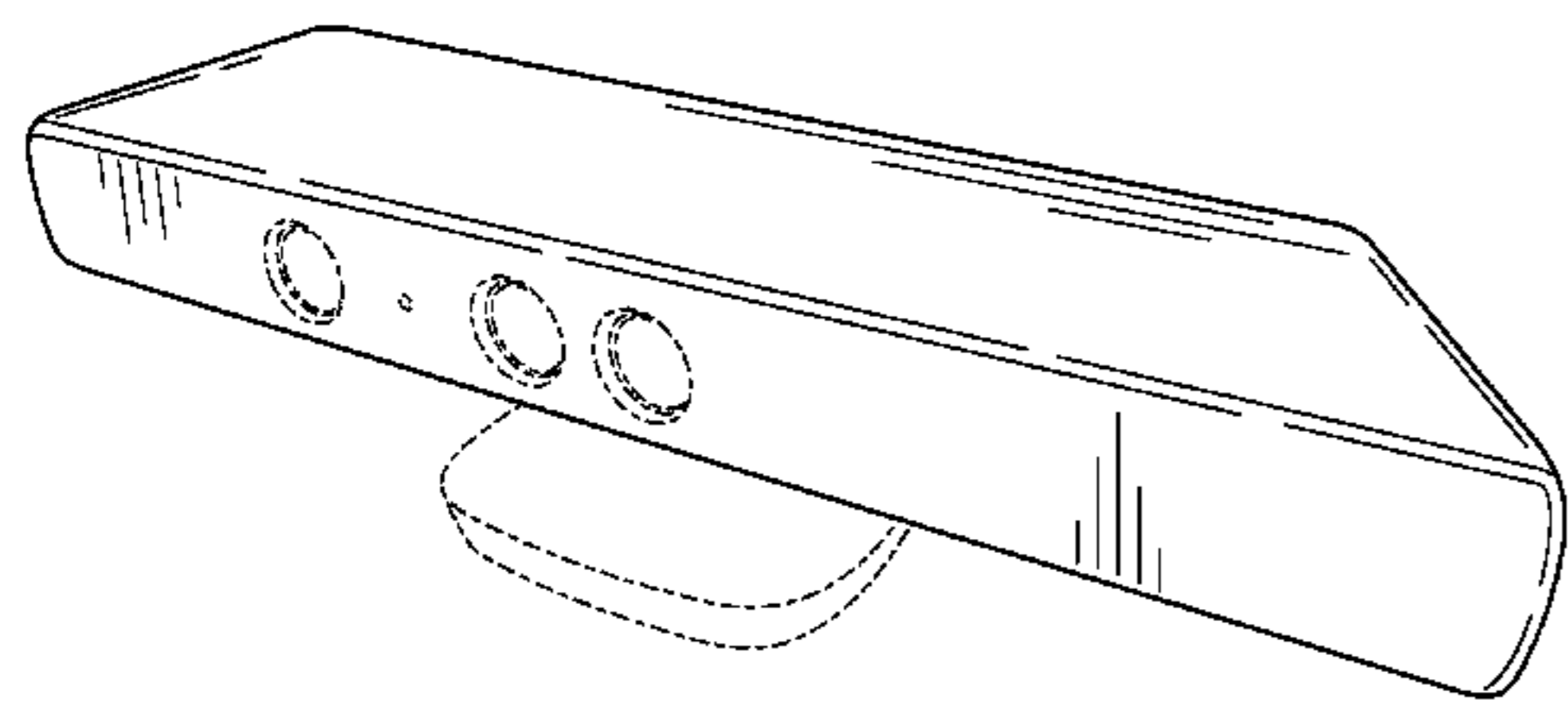
FIG. 5 is a left side view thereof;

FIG. 6 is a top view thereof; and,

FIG. 7 is a bottom view thereof.

The broken line showing of portions of the motion sensor is for environmental purposes only and forms no part of the claimed design.

1 Claim, 5 Drawing Sheets



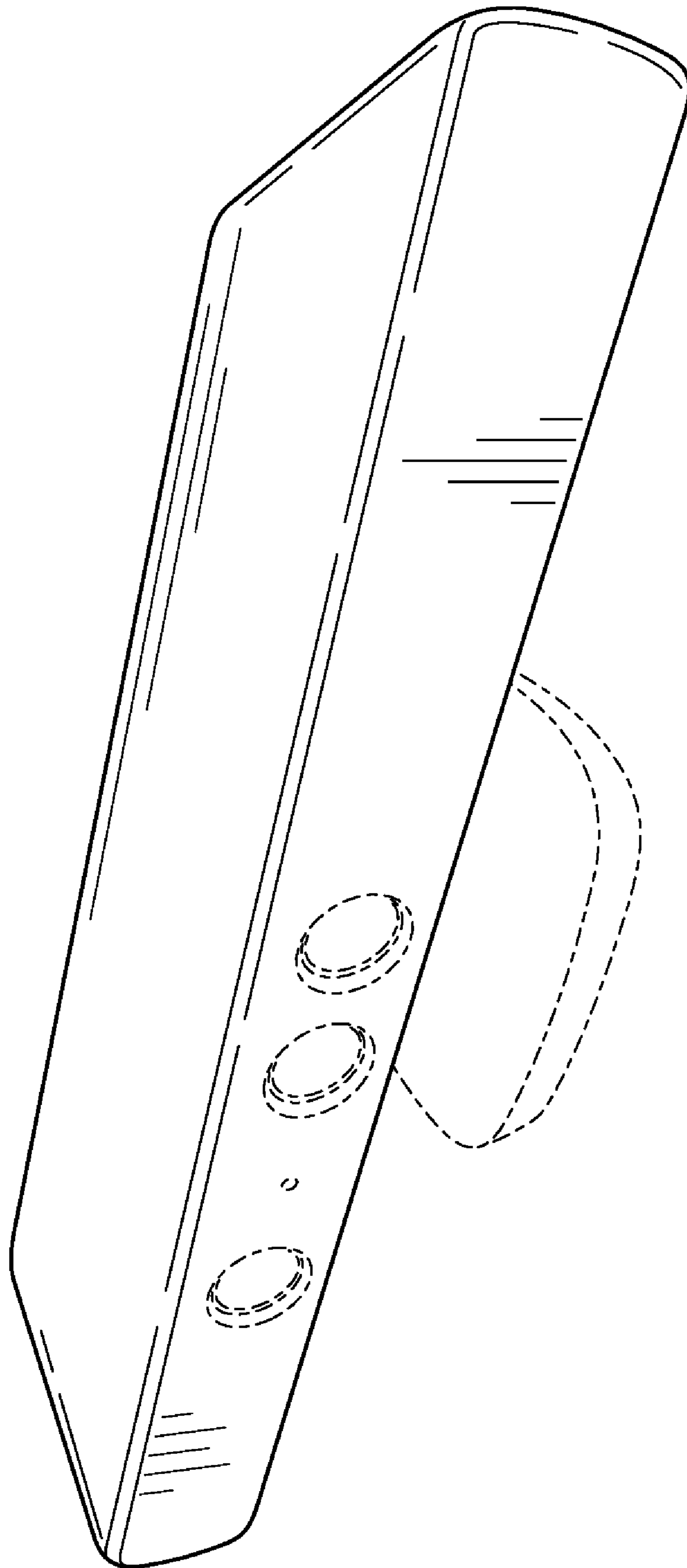


FIG. 1

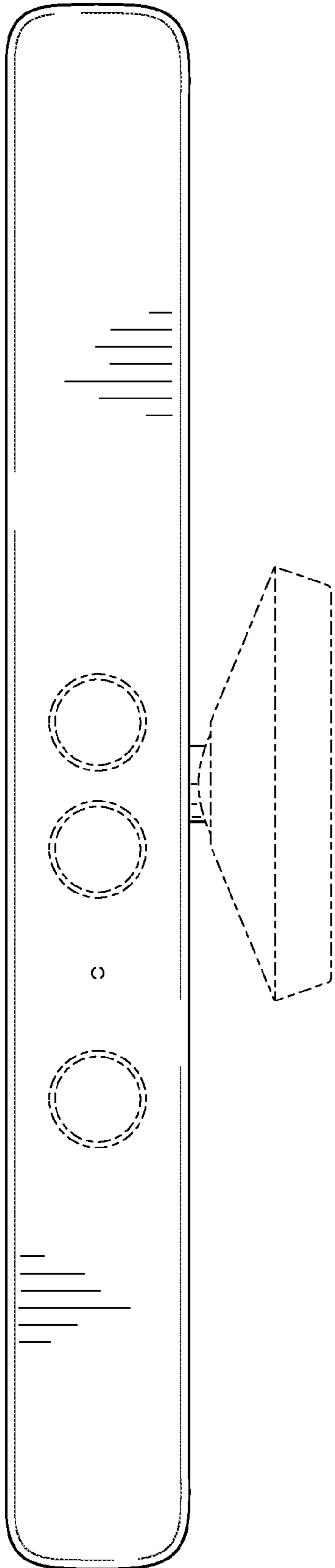


FIG. 2

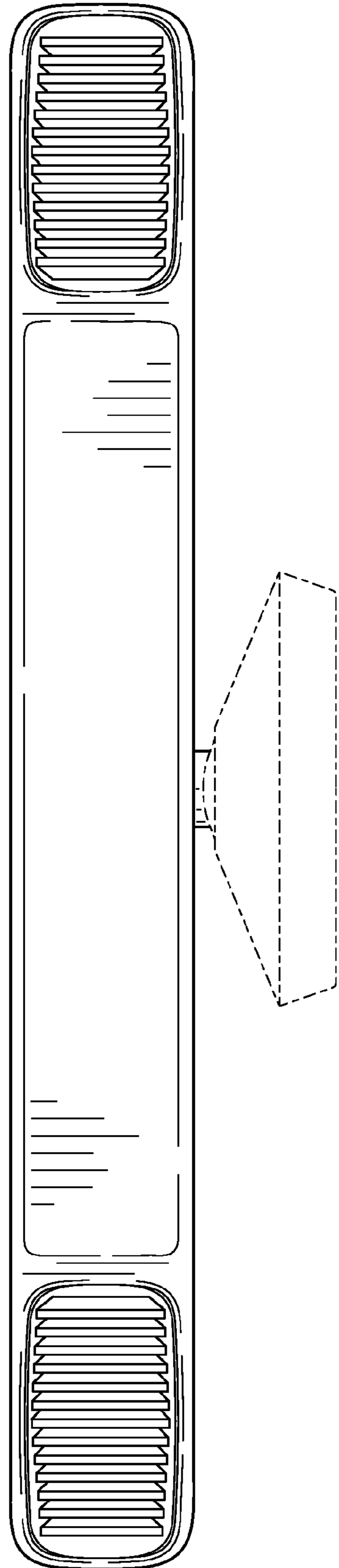


FIG. 3

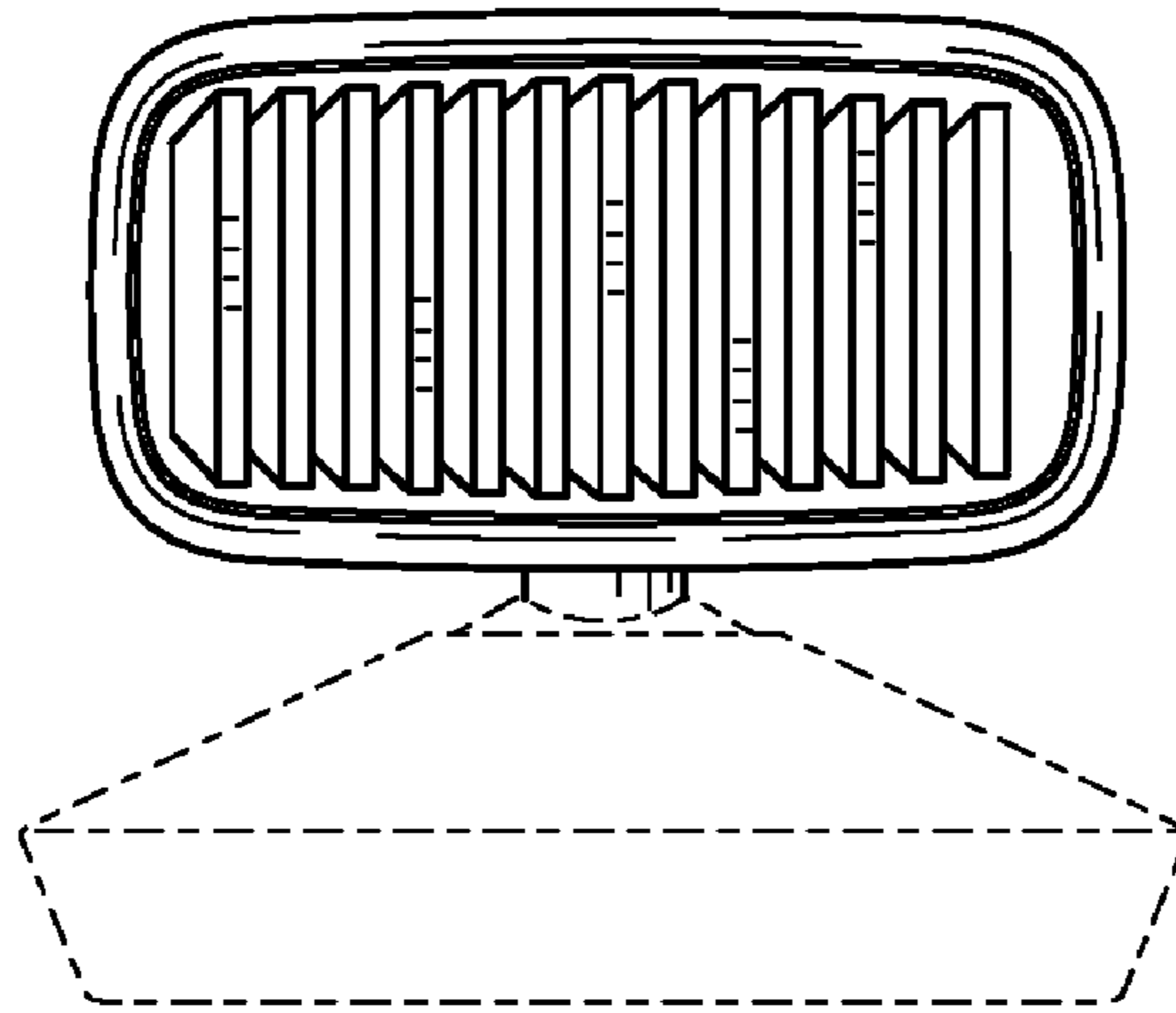


FIG. 4

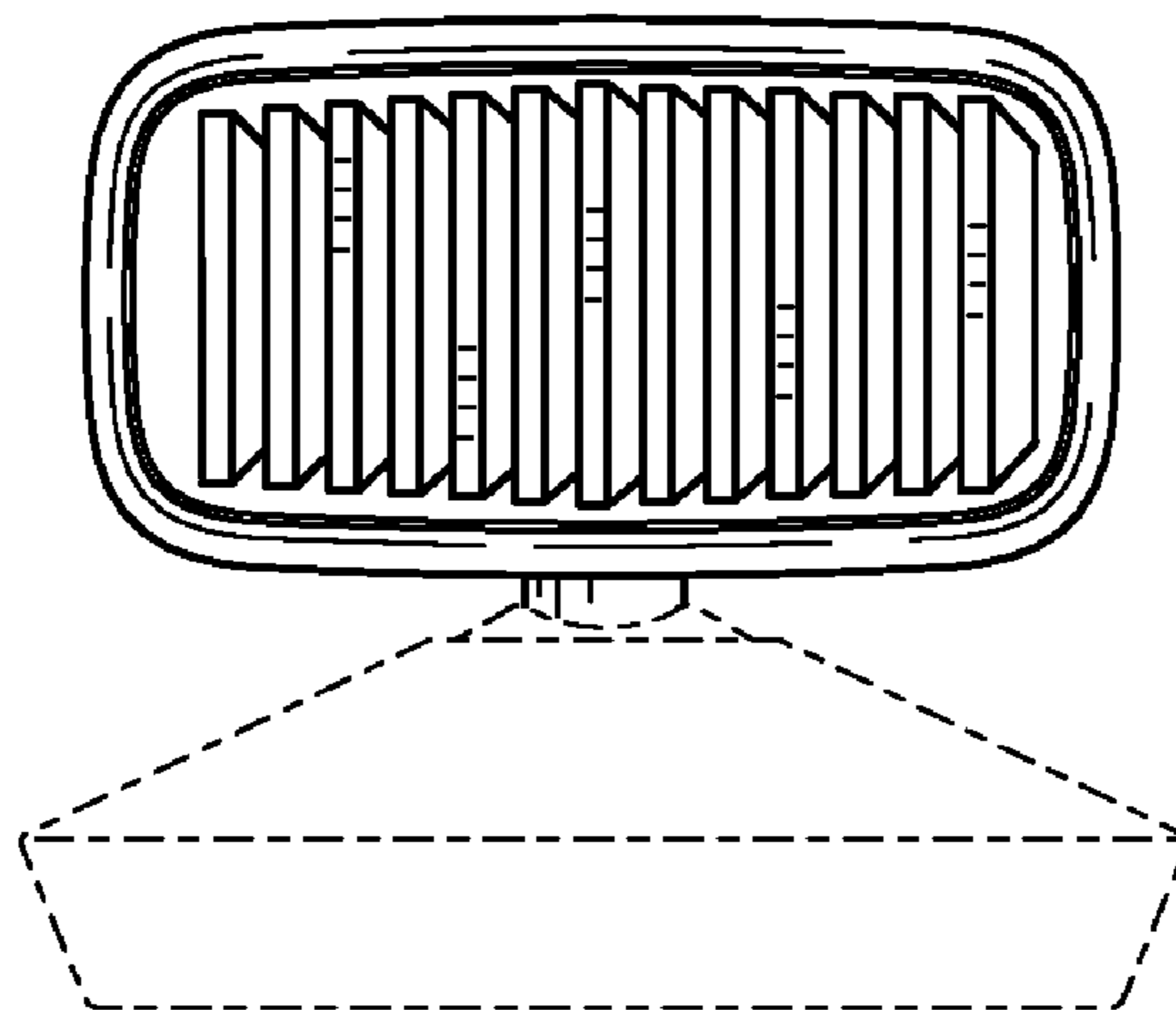


FIG. 5

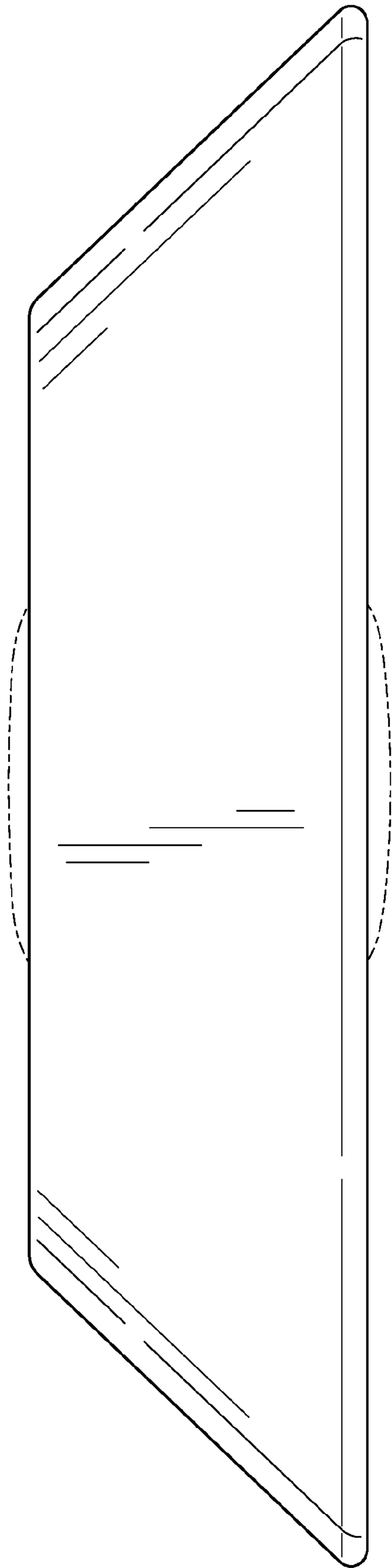


FIG. 6

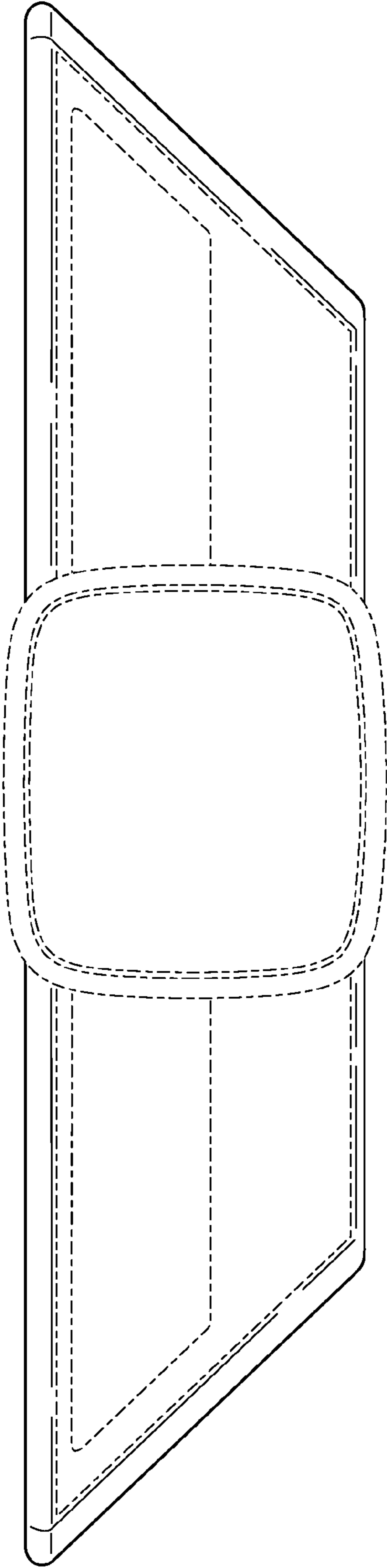


FIG. 7