

US00D619477S

(12) **United States Design Patent**  
**Frizell et al.**

(10) **Patent No.:** **US D619,477 S**  
(45) **Date of Patent:** **\*\* Jul. 13, 2010**

(54) **OUTER WRAPPER FOR PACKAGING OF CDS/DVDS**

(75) Inventors: **Barry Frizell**, Cumbria (GB); **Wolfgang Zimmerer**, Cumbria (GB)

(73) Assignee: **Innovia Films Limited** (GB)

(\*\*) Term: **14 Years**

(21) Appl. No.: **29/333,763**

(22) Filed: **Mar. 13, 2009**

(30) **Foreign Application Priority Data**

Oct. 3, 2008 (EM) ..... 001014310-0002

(51) **LOC (9) Cl.** ..... **09-05**

(52) **U.S. Cl.** ..... **D9/702; D5/99**

(58) **Field of Classification Search** ..... D5/1, D5/2, 3-12, 13-19, 20, 21-28, 29, 30, 34, D5/35, 36-40, 41, 42-45, 46-51, 52, 53, D5/54, 55, 56-66, 99; D14/479; D9/423, D9/425, 430, 431, 432, 433, 713, 714, 724; D28/66; 206/308.1, 236, 265; 428/64.1; 229/87.13, 120.08, 125.19, 160.1, 160.2; D27/183-191

See application file for complete search history.

(56) **References Cited**

**U.S. PATENT DOCUMENTS**

- 395,243 A 12/1888 Maggi
- D242,465 S \* 11/1976 Heldecker ..... D14/479
- 4,011,190 A 3/1977 Telkes
- 4,157,784 A 6/1979 Grottup et al.
- D266,224 S 9/1982 Bronander, Jr.
- 4,426,465 A 1/1984 Maki et al.
- D276,566 S \* 11/1984 Yoshizawa ..... D9/713
- D276,567 S \* 11/1984 Yoshizawa ..... D9/713
- 4,565,738 A 1/1986 Purdy
- 4,720,423 A 1/1988 Fraser
- 4,927,180 A 5/1990 Trundle et al.
- 5,154,284 A \* 10/1992 Starkey ..... 206/308.1
- 5,174,492 A 12/1992 Gero

- 5,180,762 A 1/1993 Canova
- D339,063 S \* 9/1993 Simon ..... D9/433
- 5,249,676 A 10/1993 Ashcraft et al.
- 5,358,792 A 10/1994 Mehta et al.
- 5,443,915 A 8/1995 Wilkie et al.
- 5,482,780 A 1/1996 Wilkie et al.
- 5,500,265 A 3/1996 Ambroise et al.

(Continued)

**FOREIGN PATENT DOCUMENTS**

EP 0099335 A1 1/1984

(Continued)

**OTHER PUBLICATIONS**

U.S. Appl. No. 29/333,750, filed Mar. 13, 2009, Fell et al.

(Continued)

*Primary Examiner*—Robert M Spear  
*Assistant Examiner*—Barbara B Lohr  
(74) *Attorney, Agent, or Firm*—Knobbe Martens Olson & Bear, LLP

(57) **CLAIM**

The ornamental design for outer wrapper for packaging of CDs/DVDs, as shown and described.

**DESCRIPTION**

FIG. 1 is a right front perspective view showing the new design;

FIG. 2 is a bottom view;

FIG. 3 is a left side view;

FIG. 4 is a top view;

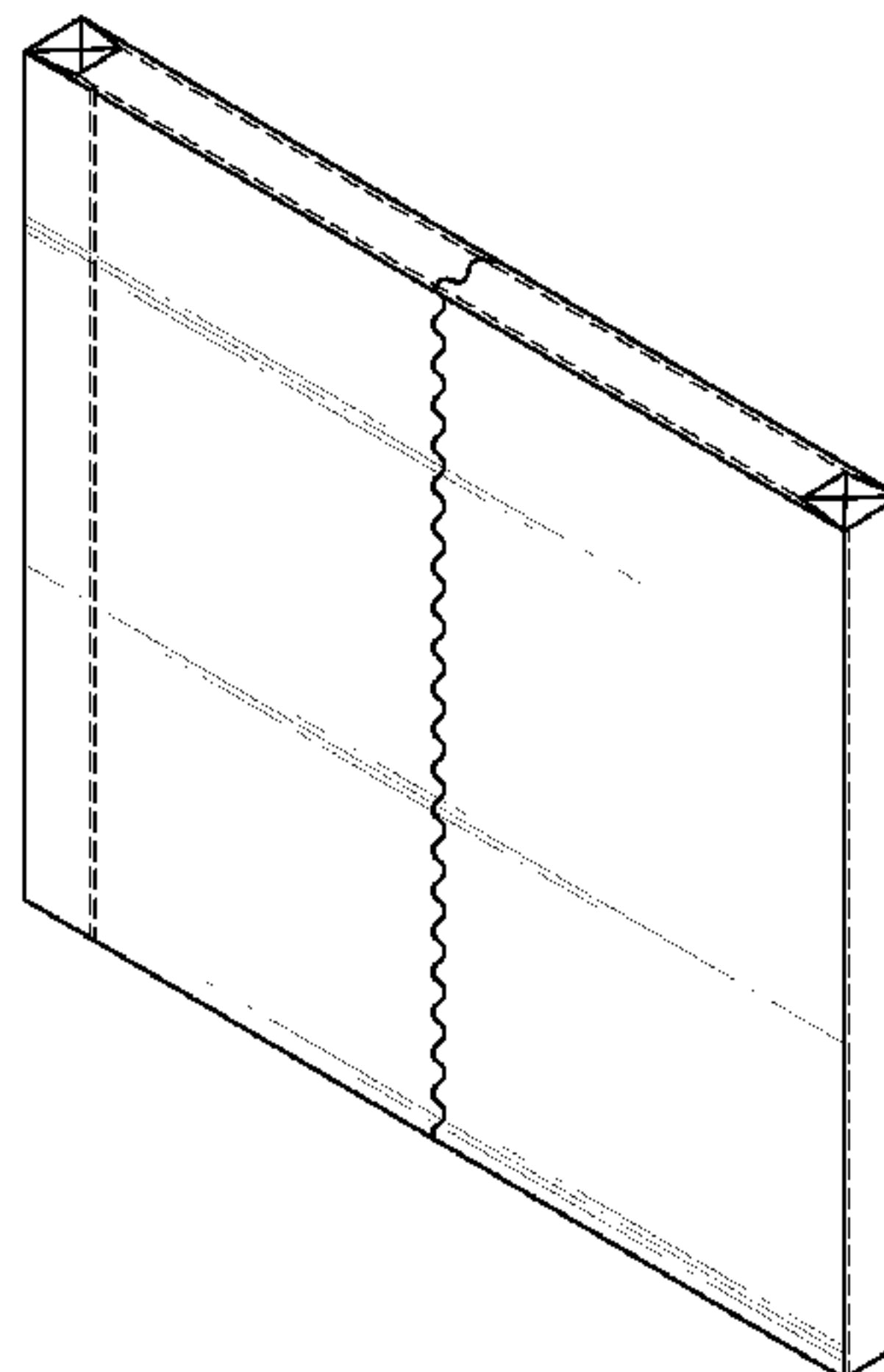
FIG. 5 is a right side view;

FIG. 6 is a left end view; and,

FIG. 7 is a right end view.

The broken lines in the drawings depict environment and form no part of the claimed design.

**1 Claim, 2 Drawing Sheets**



# US D619,477 S

Page 2

## U.S. PATENT DOCUMENTS

5,643,676	A	7/1997	Dobashi et al.	
5,716,698	A	2/1998	Schreck et al.	
5,730,354	A	3/1998	O'Connor	
5,807,625	A	9/1998	Amon et al.	
5,924,571	A	7/1999	Cornelissen	
5,948,836	A	9/1999	Bonora	
D427,369	S	6/2000	Bowen et al.	
6,117,438	A	9/2000	Topolkaev et al.	
6,223,895	B1	5/2001	Bowen et al.	
6,231,975	B1	5/2001	Kong et al.	
6,248,442	B1	6/2001	Kong et al.	
D453,681	S *	2/2002	Kursner .....	D9/432
6,451,426	B2	9/2002	Kong et al.	
6,491,161	B1	12/2002	Focke et al.	
6,511,728	B1 *	1/2003	Bakos et al. ....	428/64.1
D491,313	S *	6/2004	Schrott .....	D28/66
6,773,797	B1	8/2004	Wang et al.	
6,916,867	B2	7/2005	Gugumus	
D541,471	S	4/2007	Mitten et al.	
D561,933	S	2/2008	Mitten et al.	
7,377,384	B2	5/2008	Mitten et al.	
D592,525	S	5/2009	Maude et al.	
D592,526	S	5/2009	Maude et al.	
D594,742	S	6/2009	Meier et al.	
D601,435	S *	10/2009	Fell et al. ....	D9/713
2001/0031371	A1	10/2001	Kong et al.	
2003/0047469	A1	3/2003	Draghetti et al.	
2003/0134159	A1	7/2003	Peet	
2003/0203231	A1	10/2003	Stopper et al.	
2003/0226978	A1	12/2003	Ribi et al.	
2004/0115457	A1	6/2004	Kong	
2004/0115458	A1	6/2004	Kong	
2004/0166323	A1	8/2004	Wang	
2005/0150786	A1	7/2005	Mitten et al.	
2006/0023327	A1	2/2006	Coombs et al.	
2006/0278543	A1	12/2006	Pham	
2007/0221526	A1	9/2007	Kikuchi	
2007/0228040	A1	10/2007	Boriani et al.	
2007/0241002	A1	10/2007	Wu et al.	

## FOREIGN PATENT DOCUMENTS

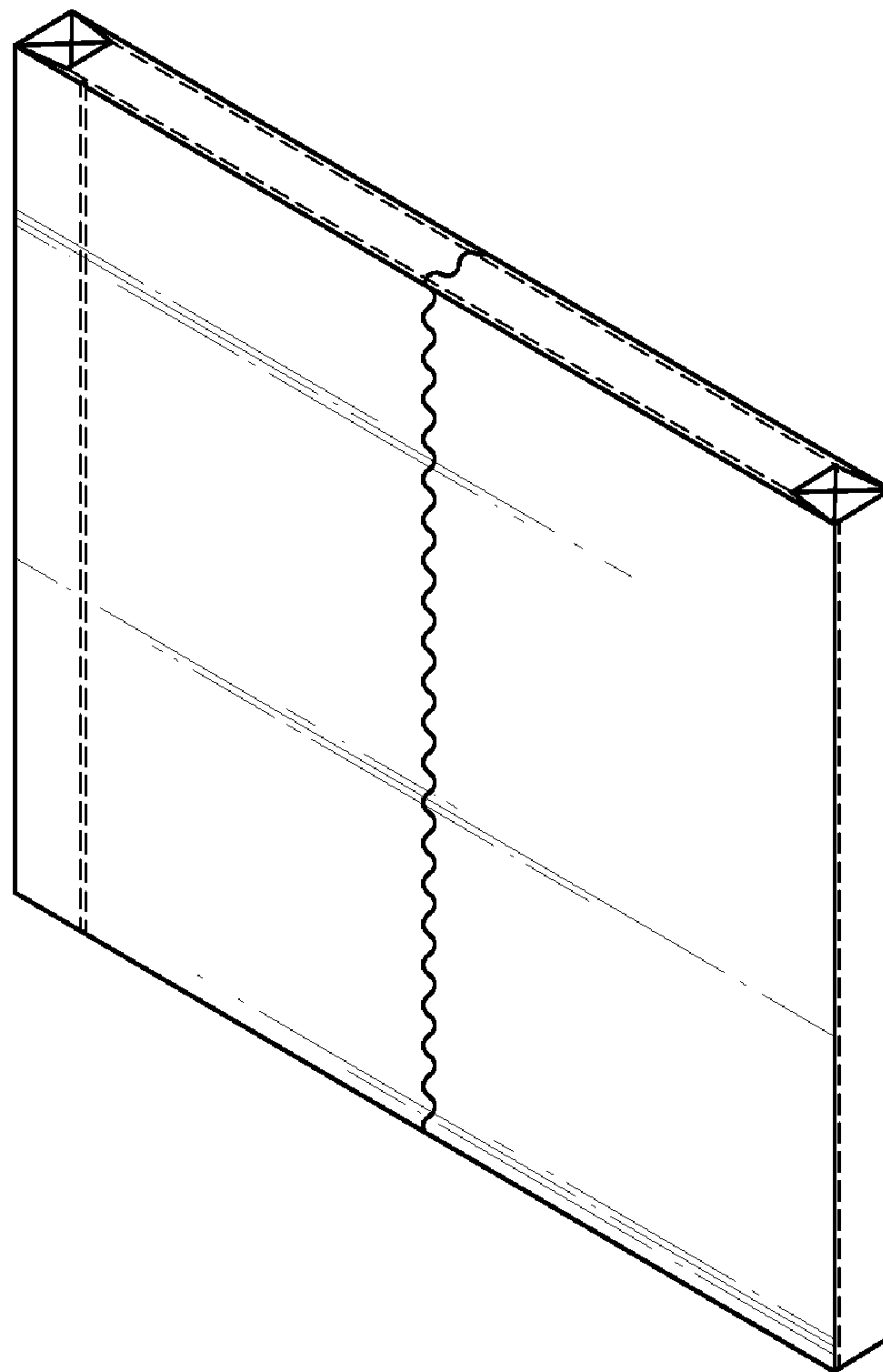
EP	0290386	A2	11/1988
EP	0468923	A2	1/1992
EP	0746468		4/1996
EP	1004626	B1	5/2003
EP	1316419	A2	6/2003
EP	1413599	A1	4/2004
EP	1714778	A1	10/2006
EP	1749655		2/2007

GB	2236466	A	4/1991
GB	2243578	A	11/1991
GB	2349151	A	10/2000
GB	2354245	A	3/2001
JP	06297630	A	10/1994
WO	WO 90/06539	A	6/1990
WO	WO 96/04178		2/1996
WO	WO 96/20085		7/1996
WO	WO 98/22291		5/1998
WO	WO 98/32596		7/1998
WO	WO 00/78545		12/2000
WO	WO 02/100637		12/2002
WO	WO 03/047857		6/2003
WO	WO 2004/087795	A1	10/2004
WO	WO 2005/072959		8/2005

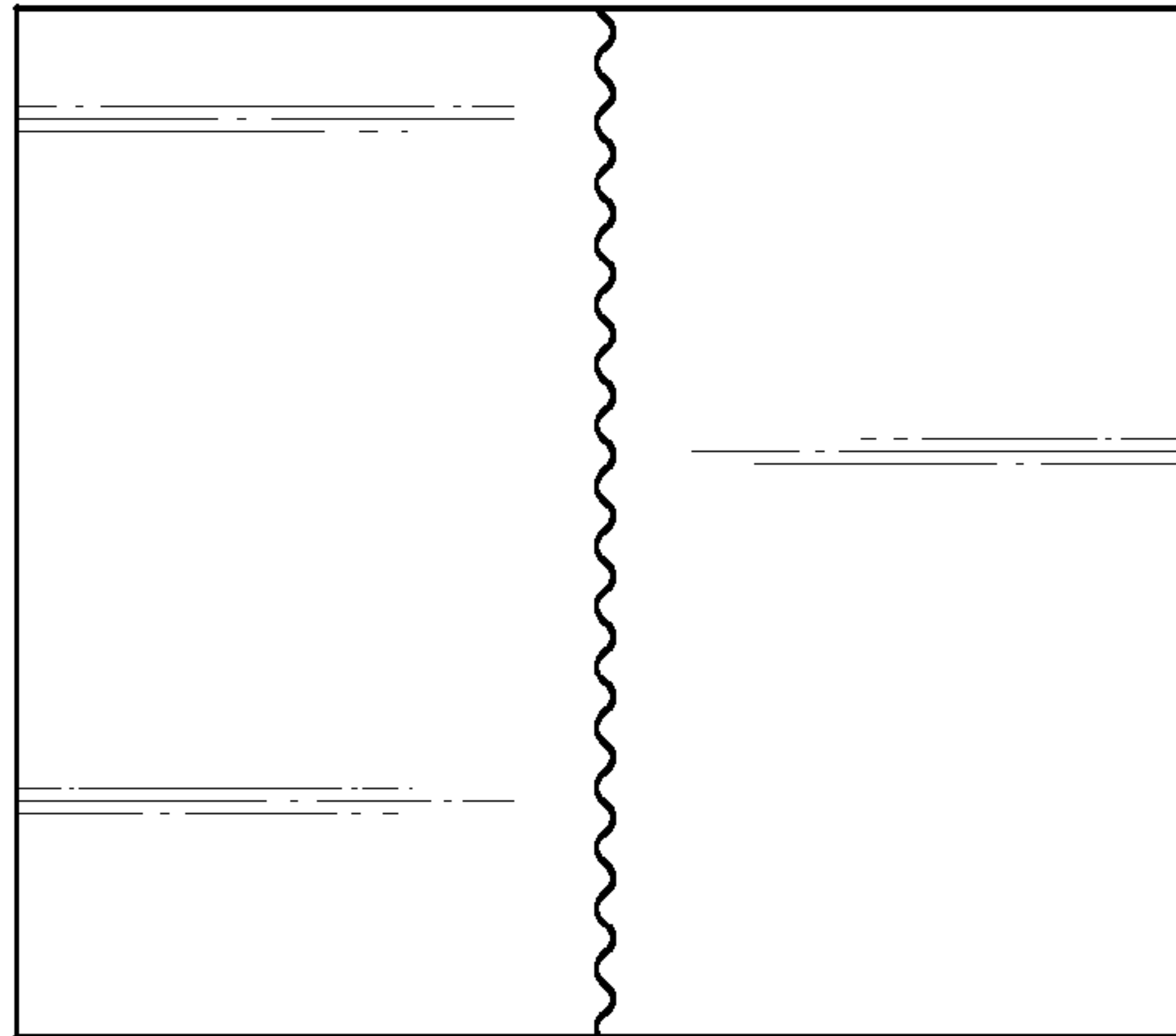
## OTHER PUBLICATIONS

U.S. Appl. No. 29/333,756, filed Mar. 13, 2009, Fell et al.  
 Notice of Allowance dated Jul. 31, 2009 in co-pending U.S. Appl. No. 29/333,750 (soon to be design patent No. D601435) in 9 pages.  
 U.S. Appl. No. 12/352,478, filed Jan. 12, 2009, Fell et al.  
 U.S. Appl. No. 12/598,761, filed Nov. 3, 2009, Hewitt et al.  
 U.S. Appl. No. 12/601,246, filed Nov. 20, 2009, Marshall et al.  
 U.S. Appl. No. 12/670,356, filed Jan. 22, 2010, Denecker.  
 U.S. Appl. No. 12/670,374, filed Jan. 22, 2010, Waning et al.  
 International Search Report for Application No. GB0708692.9 dated Oct. 23, 2007.  
 International Search Report for Application No. GB0709974.0 dated Oct. 16, 2007.  
 International Preliminary Report on Patentability in PCT Application No. PCT/GB2008/050320 dated Nov. 19, 2009 in 7 pages (008APC).  
 International Preliminary Report on Patentability in PCT Application No. PCT/GB2008/050369 dated Dec. 3, 2009 in 7 pages (009APC).  
 International Preliminary Report on Patentability in PCT Application No. PCT/GB2008/050595 dated Feb. 4, 2010 in 8 pages (011APC).  
 International Preliminary Report on Patentability in PCT Application No. PCT/GB2008/050596 dated Feb. 4, 2010 in 8 pages (010APC).  
 International Search Report and Written Opinion in PCT Application No. PCT/GB2008/050320 dated Sep. 23, 2009 in 10 pages.  
 International Search Report and Written Opinion in PCT Application No. PCT/GB2008/050369 dated Sep. 4, 2008 in 10 pages (009APC).  
 International Search Report and Written Opinion in PCT Application No. PCT/GB2008/050595 dated Nov. 27, 2008 in 12 pages (011APC).  
 International Search Report and Written Opinion in PCT Application No. PCT/GB2008/050596 dated Jan. 28, 2009 in 12 pages (010APC).  
 Search Report in GB 0714418.1 dated Oct. 31, 2007 in 1 page.  
 Search Report in GB 0714419.9 dated Oct. 5, 2007 in 2 pages.

\* cited by examiner



**FIG. 1**



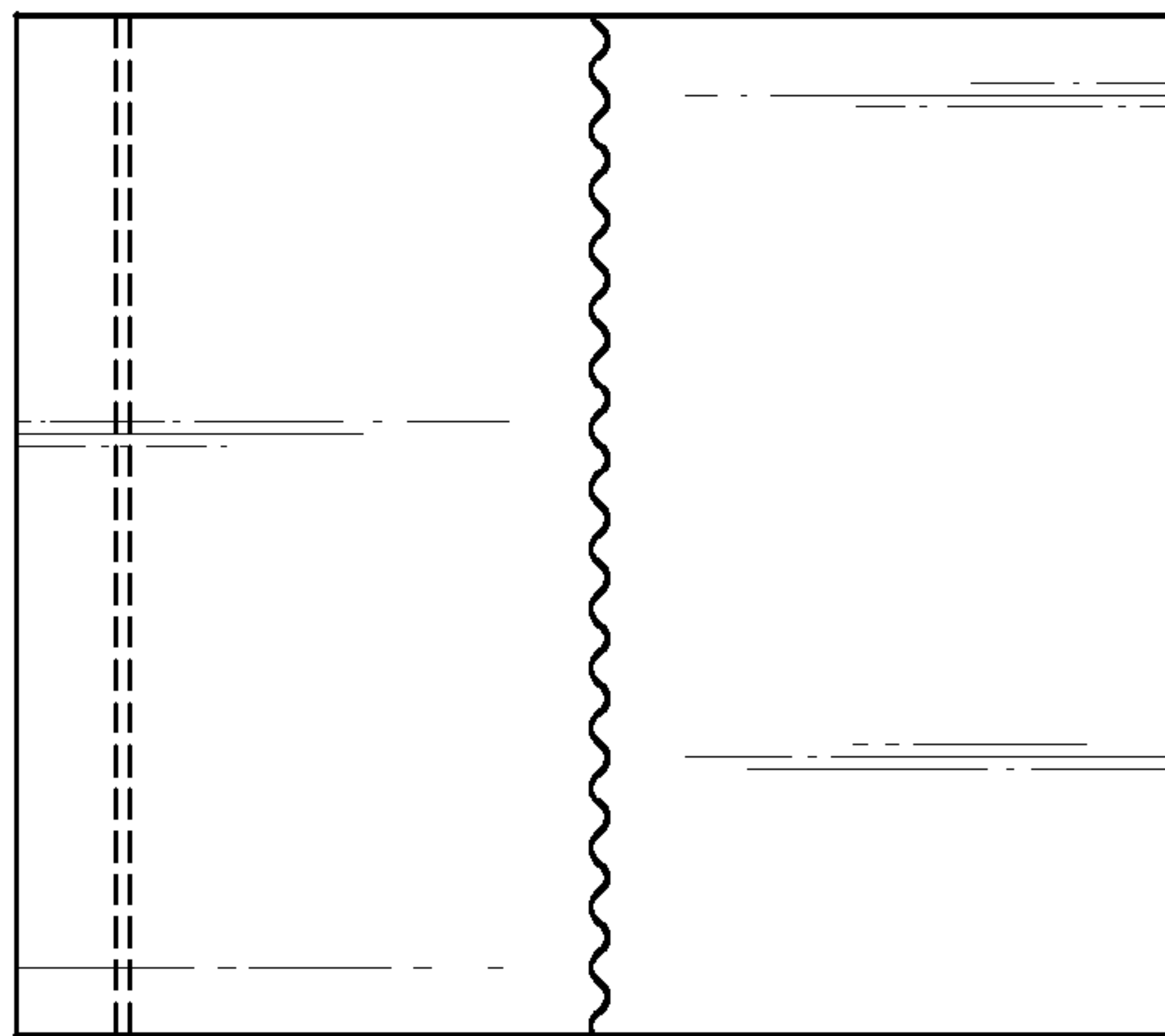
**FIG. 2**



**FIG. 3**



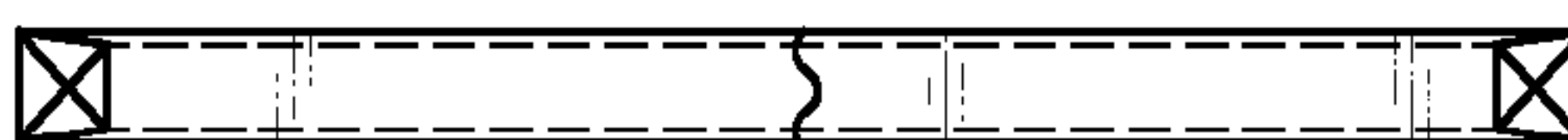
**FIG. 6**



**FIG. 4**



**FIG. 7**



**FIG. 5**