



US00D619476S

(12) **United States Design Patent**
McClellan et al.

(10) **Patent No.:** **US D619,476 S**
(45) **Date of Patent:** **** Jul. 13, 2010**

(54) **GUITAR-SHAPED BEVERAGE CONTAINER**

(75) Inventors: **Ruth McClellan**, Pittsfield, PA (US);
Gail Grosch, Warren, PA (US)

(73) Assignee: **Whirley Industries, Inc.**, Warren, PA (US)

(**) Term: **14 Years**

(21) Appl. No.: **29/342,745**

(22) Filed: **Aug. 31, 2009**

(51) **LOC (9) Cl.** **09-01**

(52) **U.S. Cl.** **D9/665**

(58) **Field of Classification Search** D9/600,
D9/665; D3/270-271.1; D7/619.2, 623,
D7/628; D17/14; 206/457-458, 527; 215/400;
220/890

See application file for complete search history.

(56) **References Cited**

U.S. PATENT DOCUMENTS

D300,408 S *	3/1989	Couri	D9/665
D329,668 S	9/1992	Connelly		
D431,185 S *	9/2000	Davis	D9/665
D438,261 S	2/2001	Chan		
D442,232 S	5/2001	Lee et al.		
D442,476 S *	5/2001	Davis	D9/665
D456,856 S	5/2002	Kane et al.		
D457,573 S	5/2002	Chan		

D499,961 S *	12/2004	Wilson	D9/665
D576,165 S	9/2008	Yow et al.		
D604,179 S *	11/2009	Rodriguez	D9/665
2003/0234204 A1 *	12/2003	Lam et al.	206/457

* cited by examiner

Primary Examiner—Sandra Morris

(74) *Attorney, Agent, or Firm*—Buchanan Ingersoll & Rooney PC

(57) **CLAIM**

The ornamental design for a guitar-shaped beverage container, as shown and described.

DESCRIPTION

FIG. 1 is a top plan view of a guitar-shaped beverage container according to the present design;

FIG. 2 is a top front perspective view thereof;

FIG. 3 is a top left perspective view thereof;

FIG. 4 is a top right perspective view thereof;

FIG. 5 is a top rear perspective view thereof;

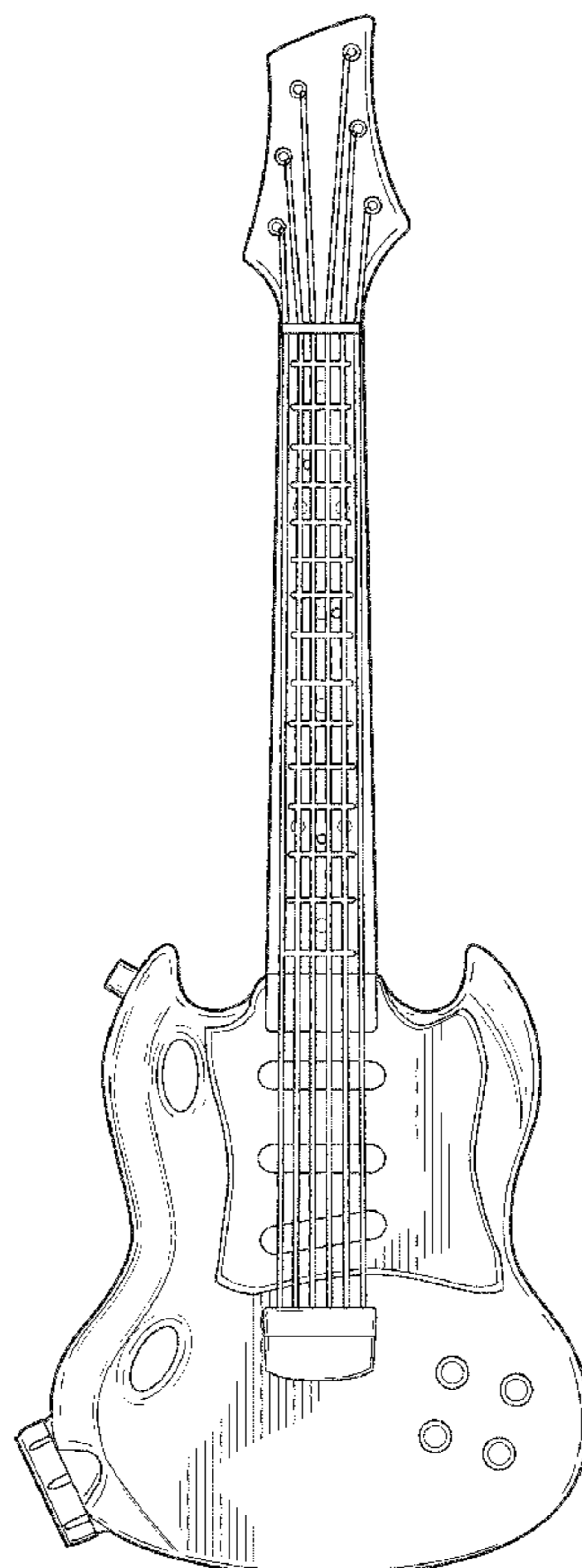
FIG. 6 is a bottom plan view thereof;

FIG. 7 is an enlarged front elevational view thereof;

FIG. 8 is an enlarged rear elevational view thereof; and,

FIG. 9 is an exploded view of the guitar-shaped beverage container, showing the assembly of the parts thereof.

1 Claim, 7 Drawing Sheets



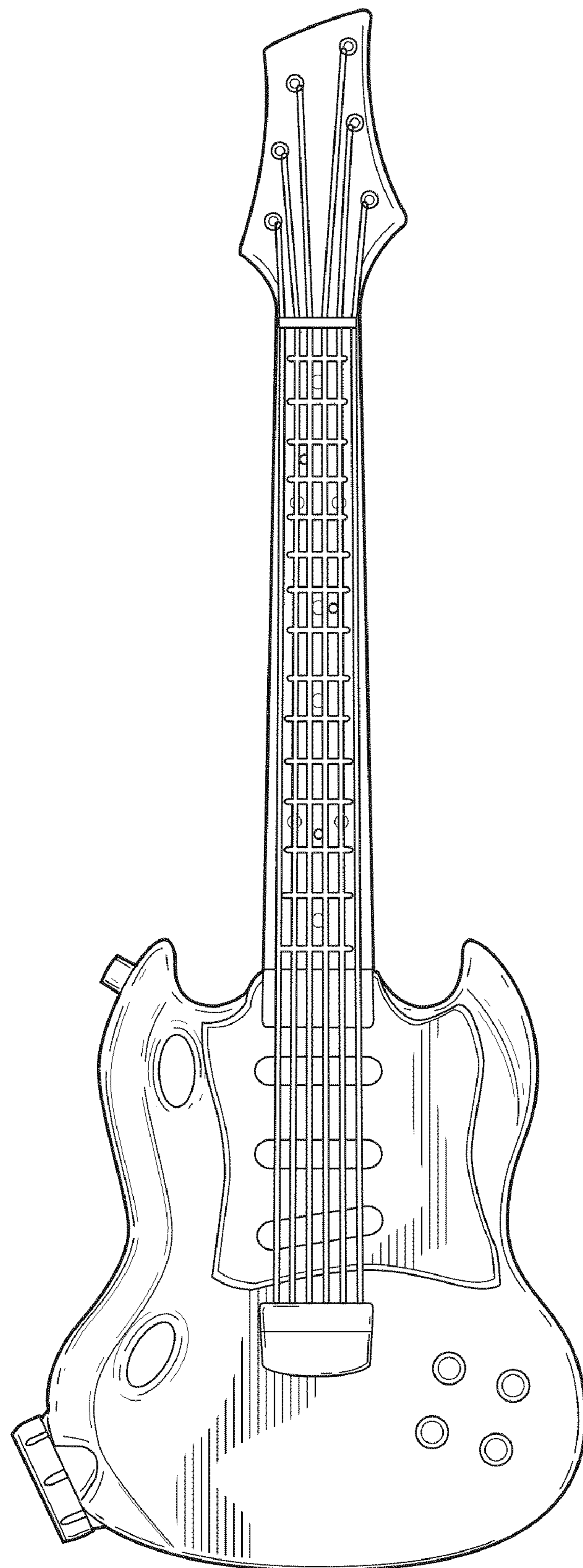


FIG. 1

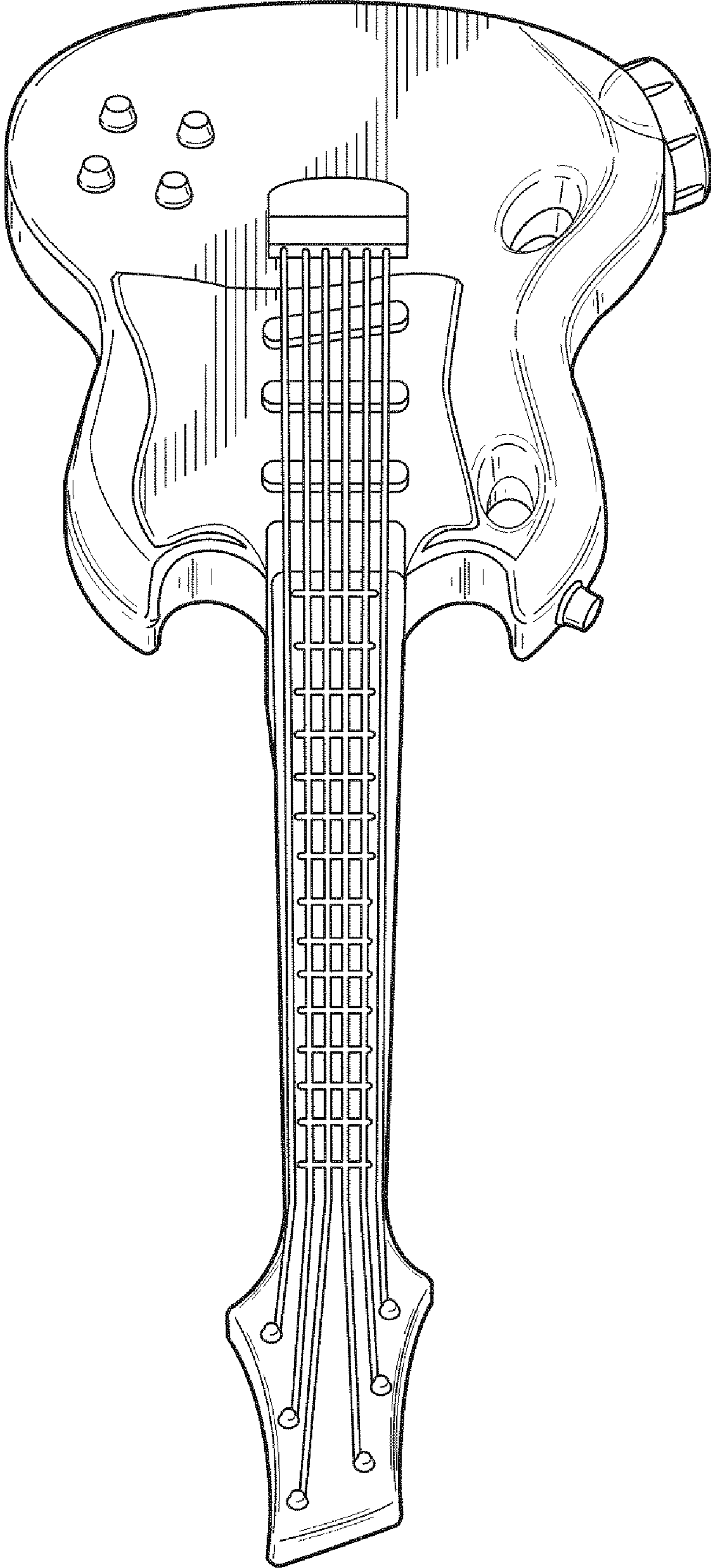


FIG. 2

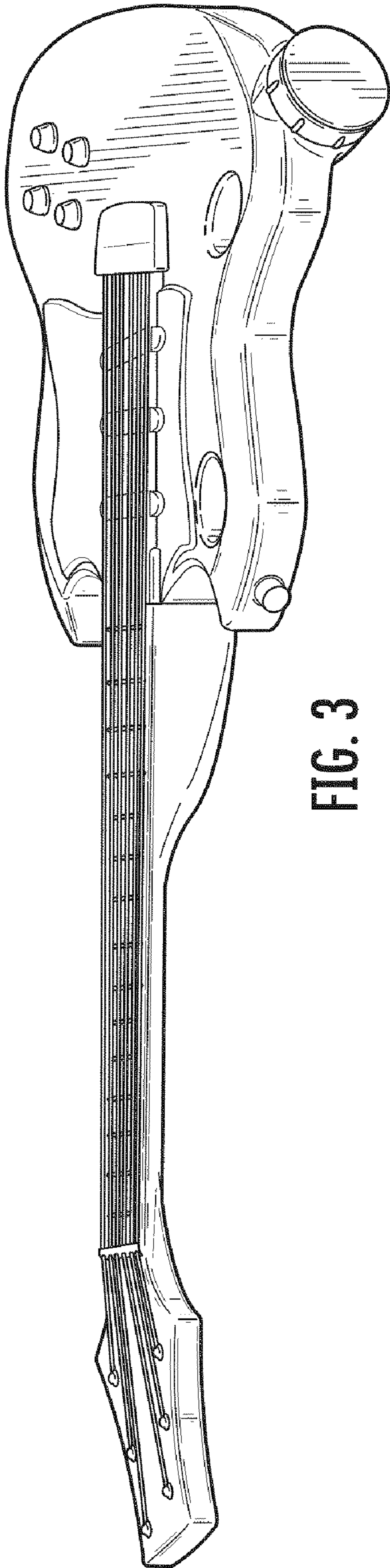


FIG. 3

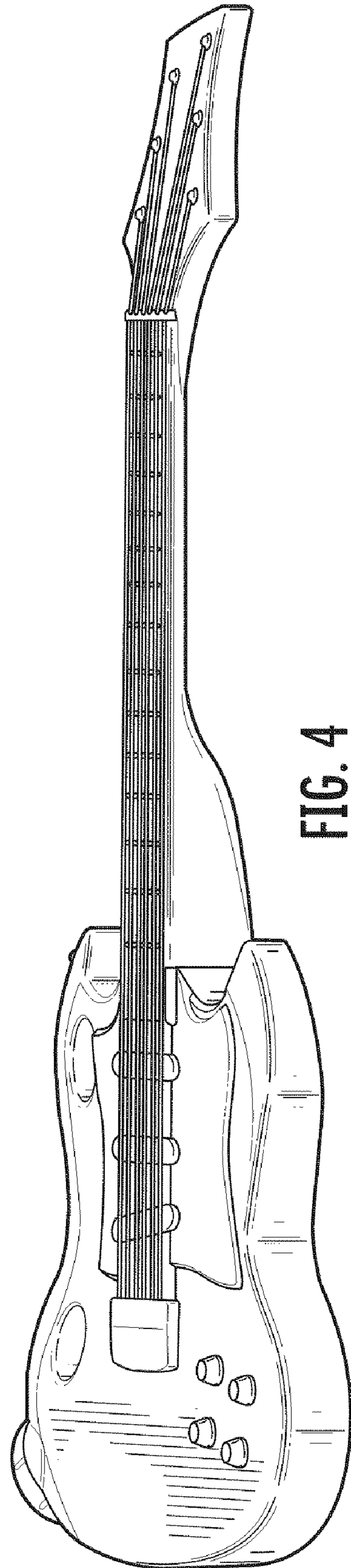


FIG. 4

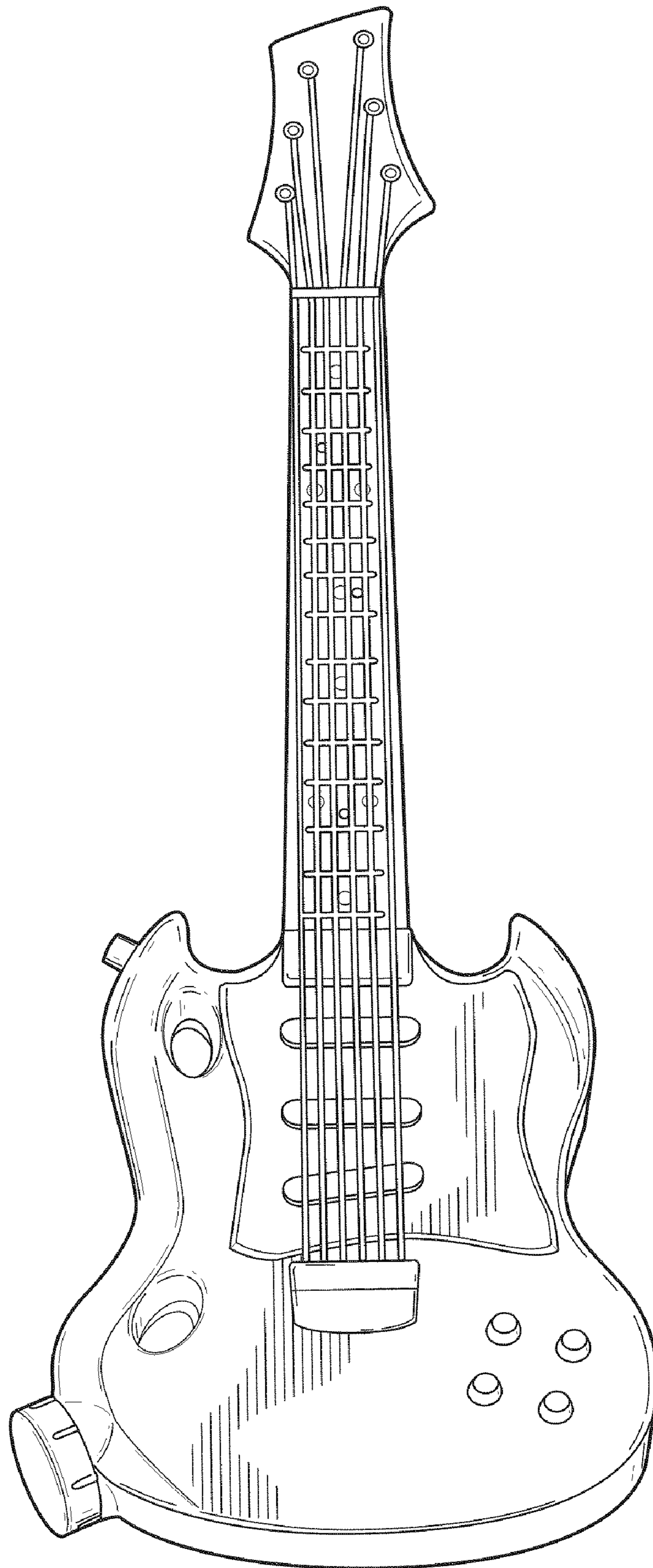


FIG. 5

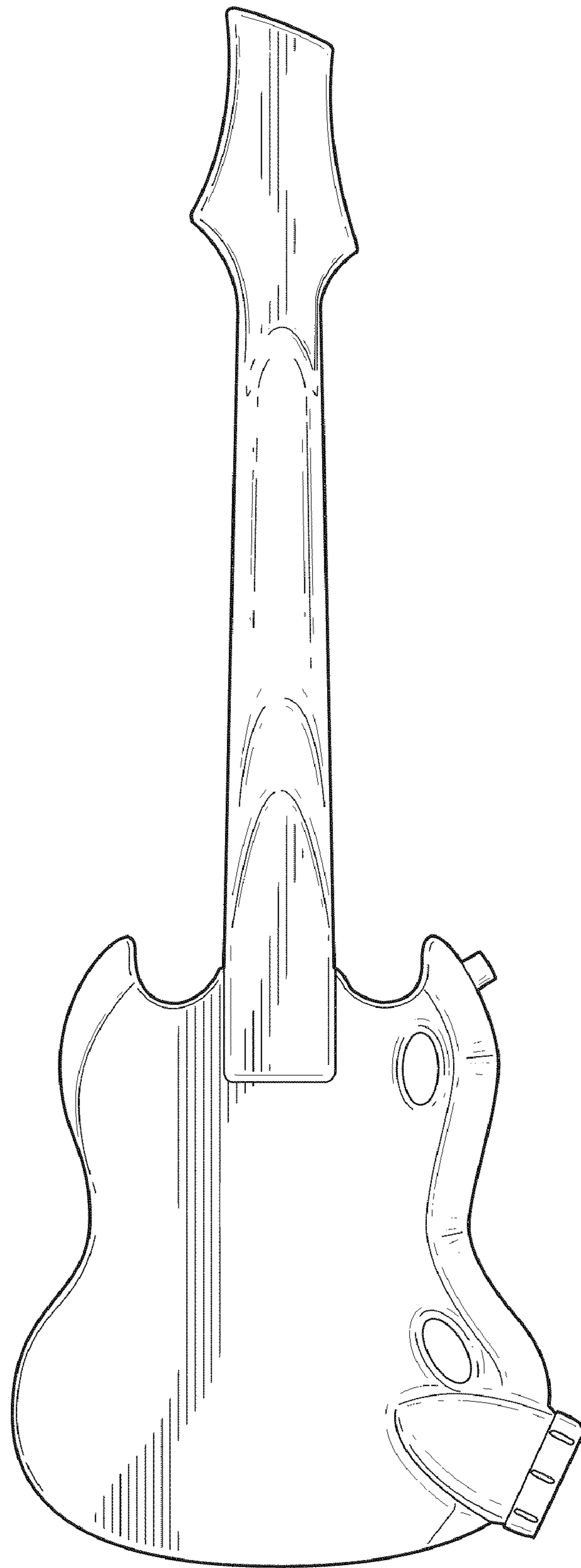


FIG. 6

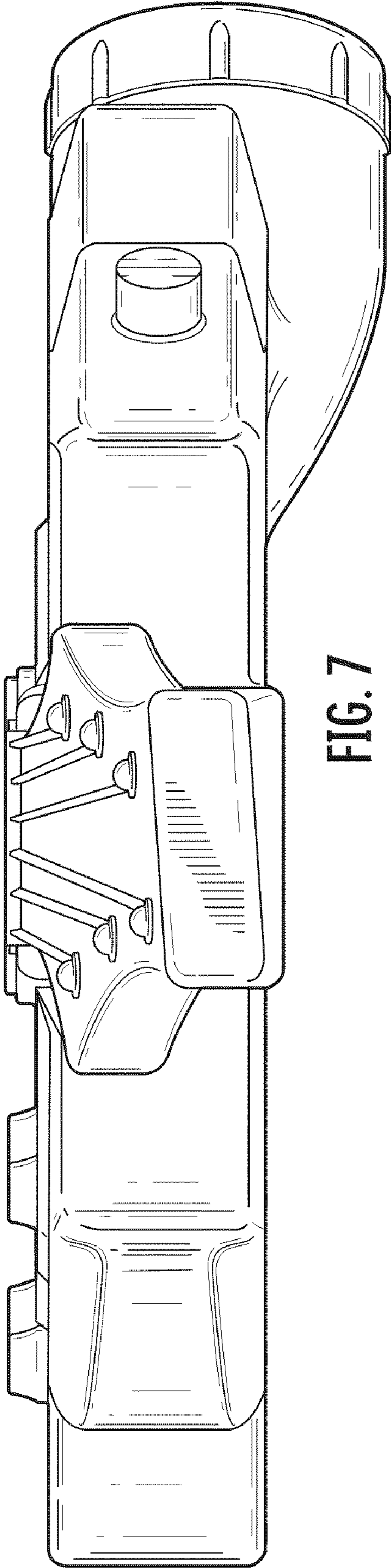


FIG. 7

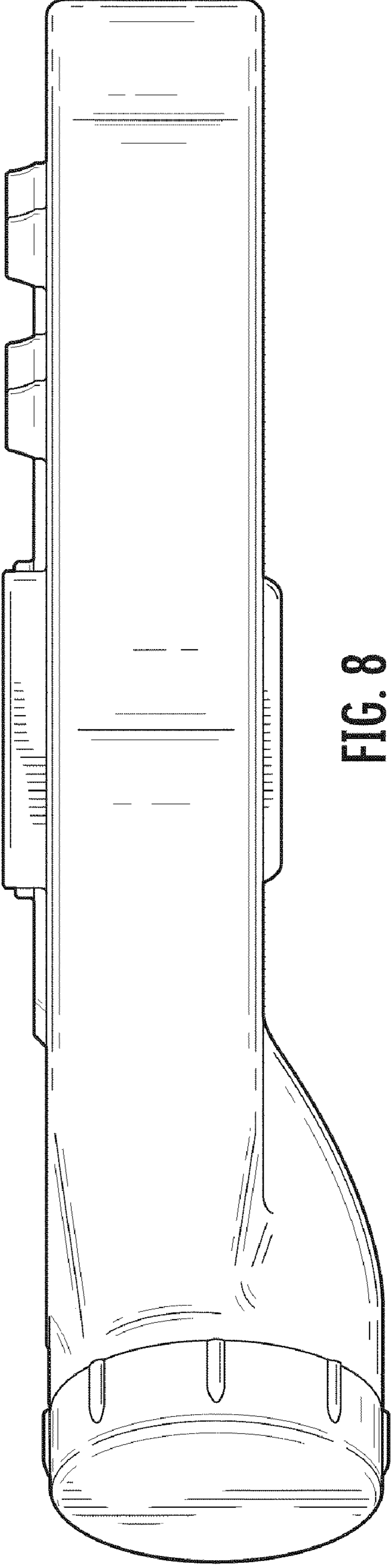


FIG. 8

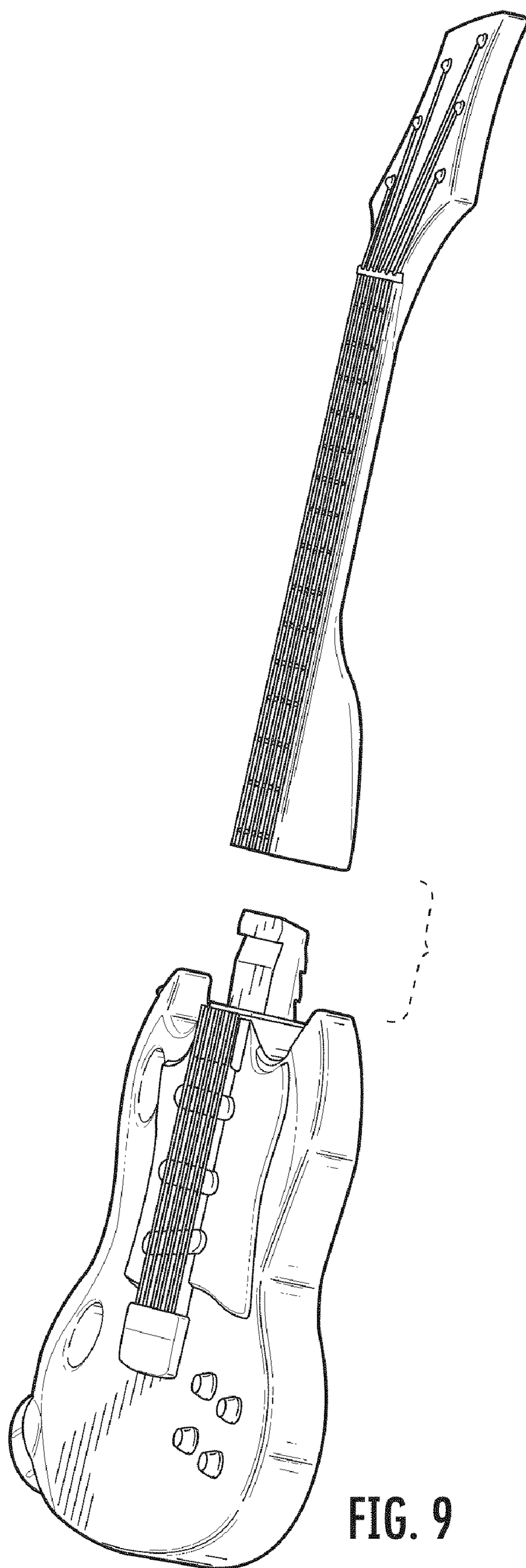


FIG. 9