



US00D619473S

(12) **United States Design Patent**
Biesecker et al.

(10) **Patent No.:** **US D619,473 S**
(45) **Date of Patent:** **** Jul. 13, 2010**

(54) **BOTTLE**

(75) Inventors: **Frederick N. Biesecker**, Boyertown, PA (US); **Lissa B. Longacre**, Boyertown, PA (US)

(73) Assignee: **Drug Plastics & Glass Company, Inc.**, Boyertown, PA (US)

(**) Term: **14 Years**

(21) Appl. No.: **29/343,419**

(22) Filed: **Sep. 11, 2009**

(51) **LOC (9) Cl.** **09-01**

(52) **U.S. Cl.** **D9/560; D9/574**

(58) **Field of Classification Search** D9/682, D9/685-687, 693-694, 516, 544, 548, 560, D9/572, 574; 215/371, 379, 381-382
See application file for complete search history.

(56) **References Cited**

U.S. PATENT DOCUMENTS

1,837,068	A	*	12/1931	Richter	215/385	X
D90,558	S	*	8/1933	Tricard	D9/560	
D132,180	S	*	4/1942	Ireys	D9/560	
D189,556	S	*	1/1961	Wolf	D9/560	X
D225,211	S	*	11/1972	Sackler et al.	D9/573	
D261,987	S	*	11/1981	Pardo	D9/558	
D279,546	S	*	7/1985	Marcus	D9/500	
D287,103	S	*	12/1986	Thieffry	D9/503	
D313,176	S	*	12/1990	Okuda et al.	D9/746	
D346,334	S	*	4/1994	Ahlsvik	D9/548	

D451,812	S	*	12/2001	Colonna de Giovellina	..	D9/516	
							X
D481,640	S	*	11/2003	Biesecker	D9/560	
D491,069	S	*	6/2004	Heliste et al.	D9/574	X
6,997,336	B2	*	2/2006	Yourist et al.	215/379	
D561,040	S	*	2/2008	Sequeira	D9/548	
D568,754	S	*	5/2008	Sequeira	D9/560	
D569,261	S	*	5/2008	Sequeira	D9/560	
D592,510	S	*	5/2009	Dell'Orto	D9/500	
D596,949	S	*	7/2009	Flude	D9/560	

* cited by examiner

Primary Examiner—Carol Rademaker

(74) *Attorney, Agent, or Firm*—Panitch Schwarze Belisario & Nadel LLP

(57) **CLAIM**

The ornamental design for bottle, as shown and described.

DESCRIPTION

FIG. 1 is a top, front, right side perspective view of the bottle in accordance with our new design;

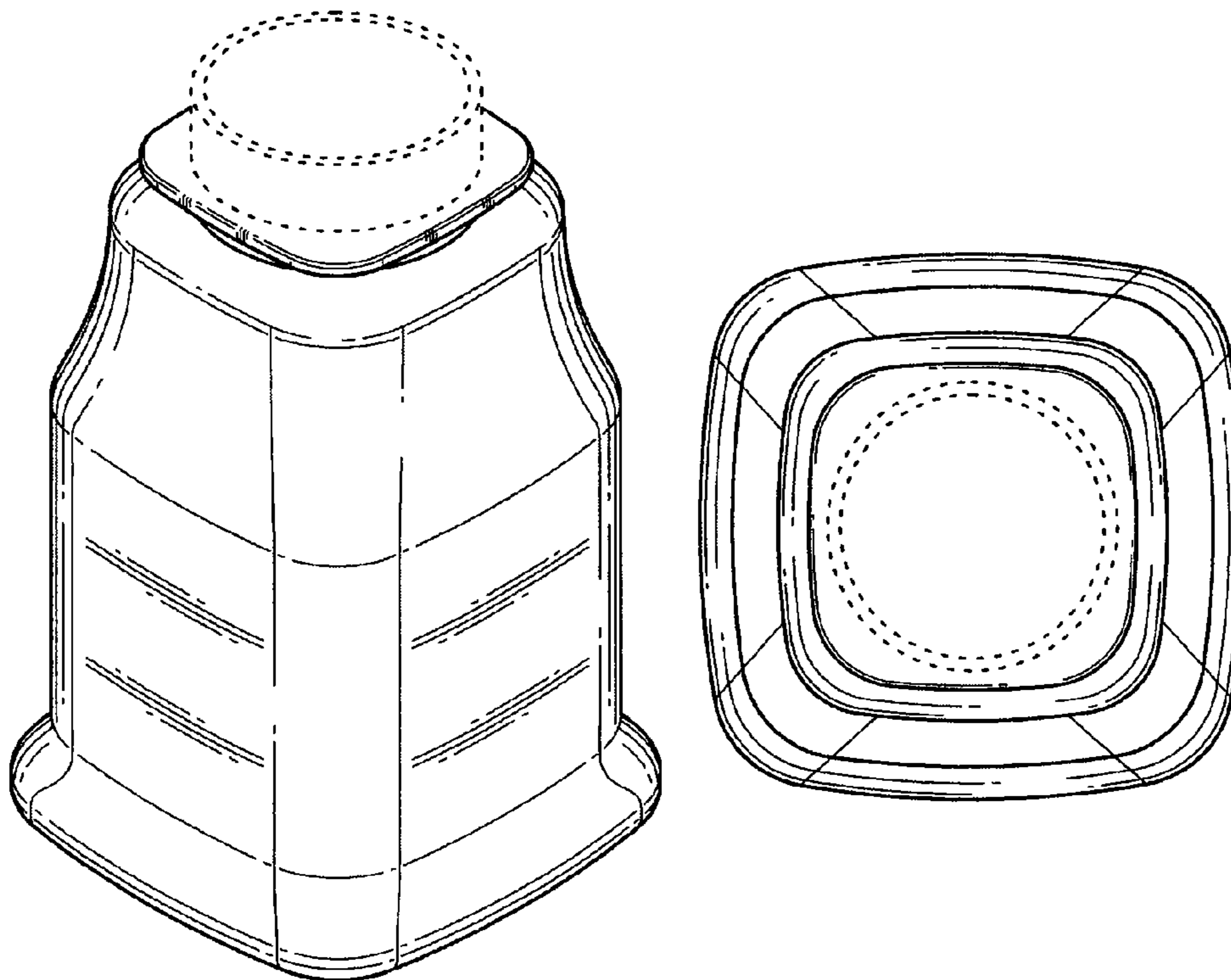
FIG. 2 is a top plan view thereof;

FIG. 3 is a bottom plan view thereof; and,

FIG. 4 is a front elevational view thereof, the rear elevational view, right side elevational view, and left side elevational view being identical.

The broken lines shown in the drawing views are included for the purpose of showing environmental structure that forms no part of the claimed design.

1 Claim, 1 Drawing Sheet



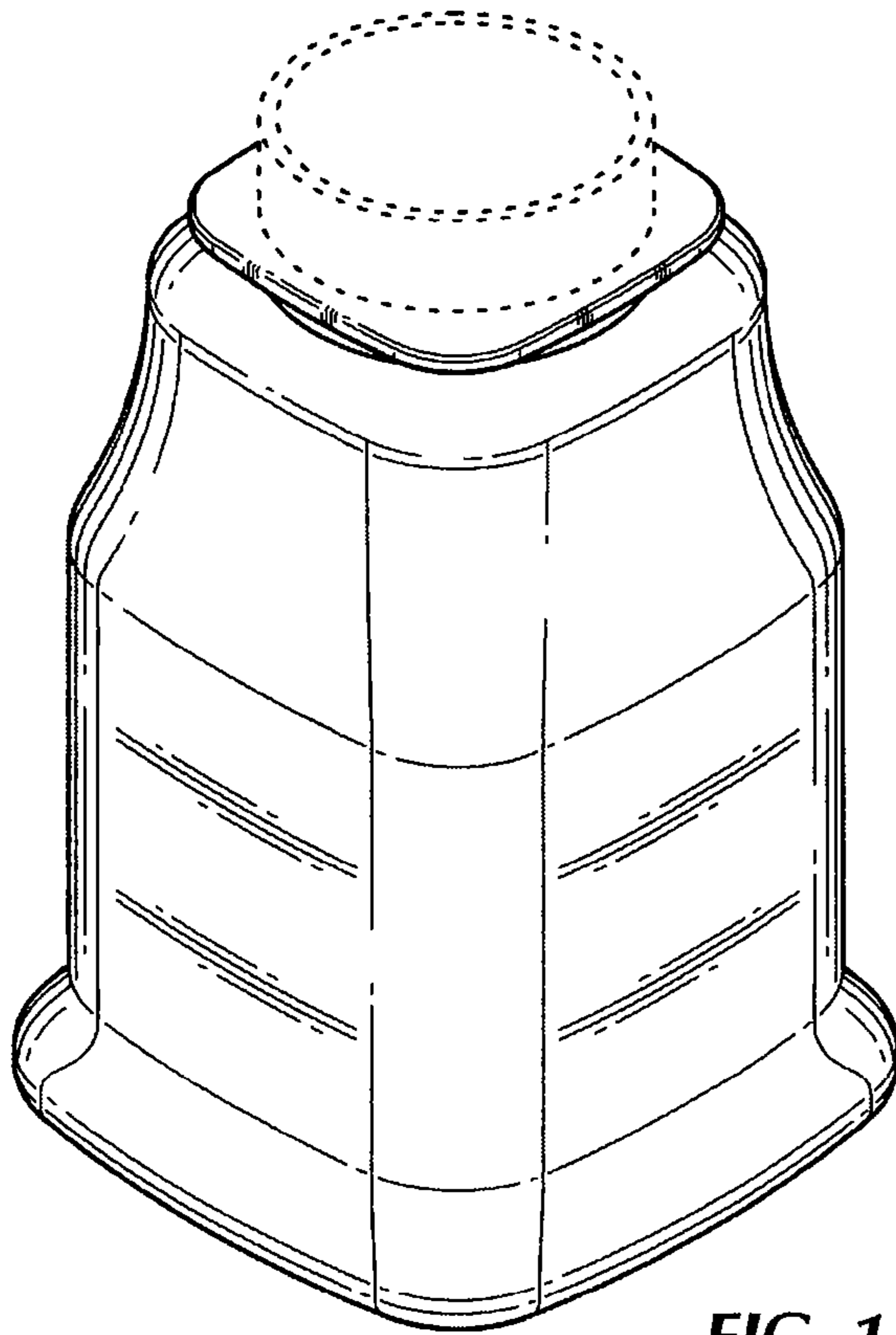


FIG. 1

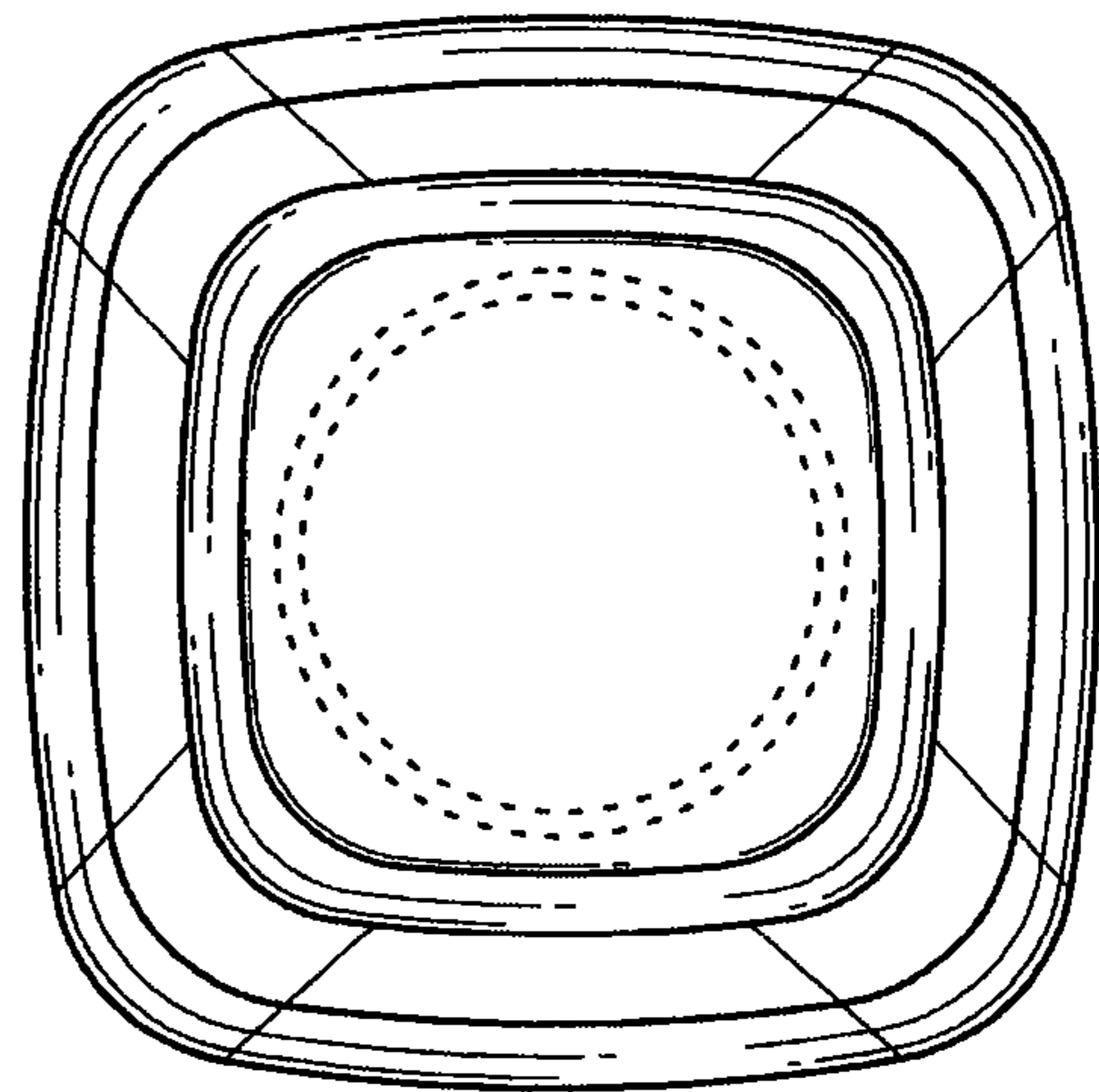


FIG. 2

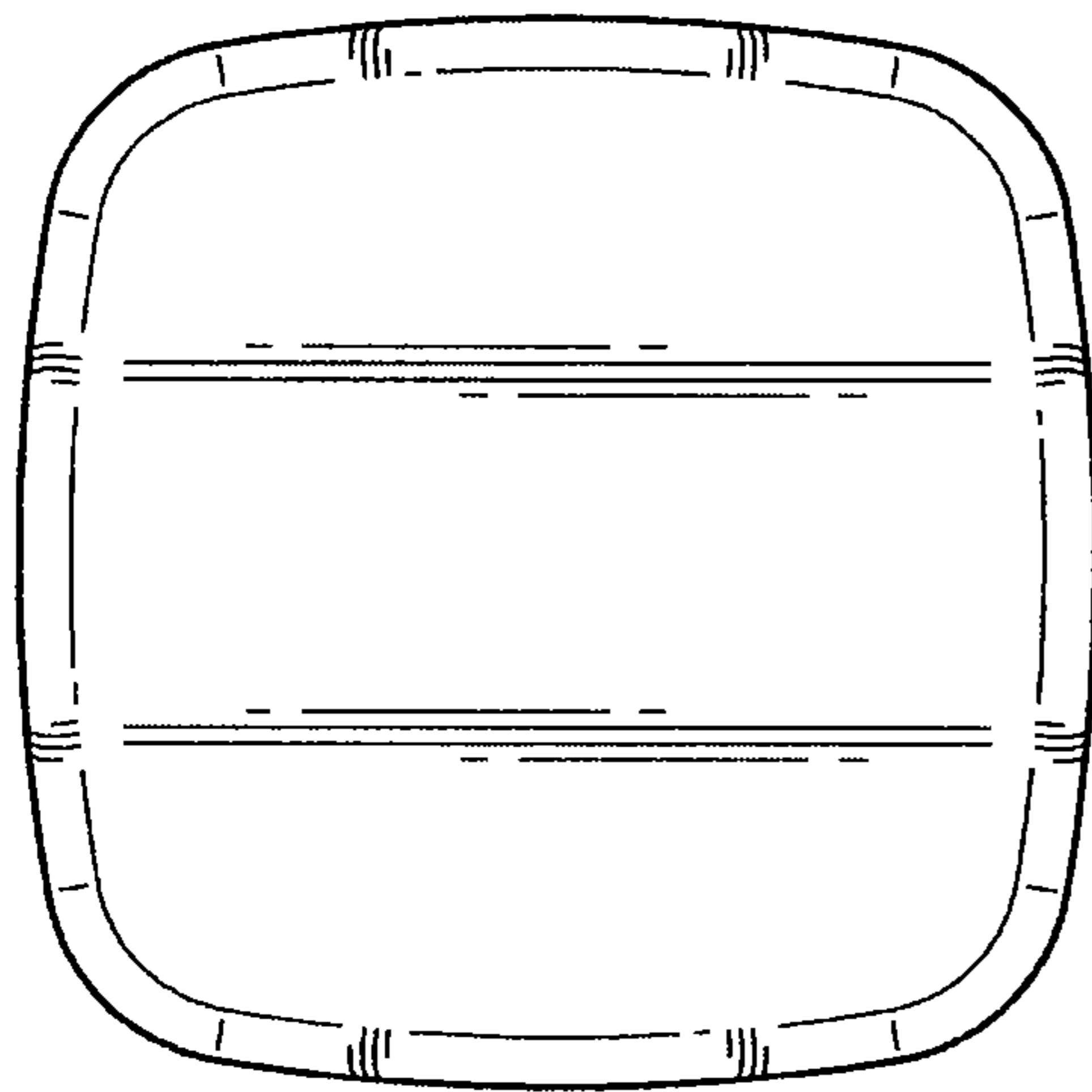


FIG. 3

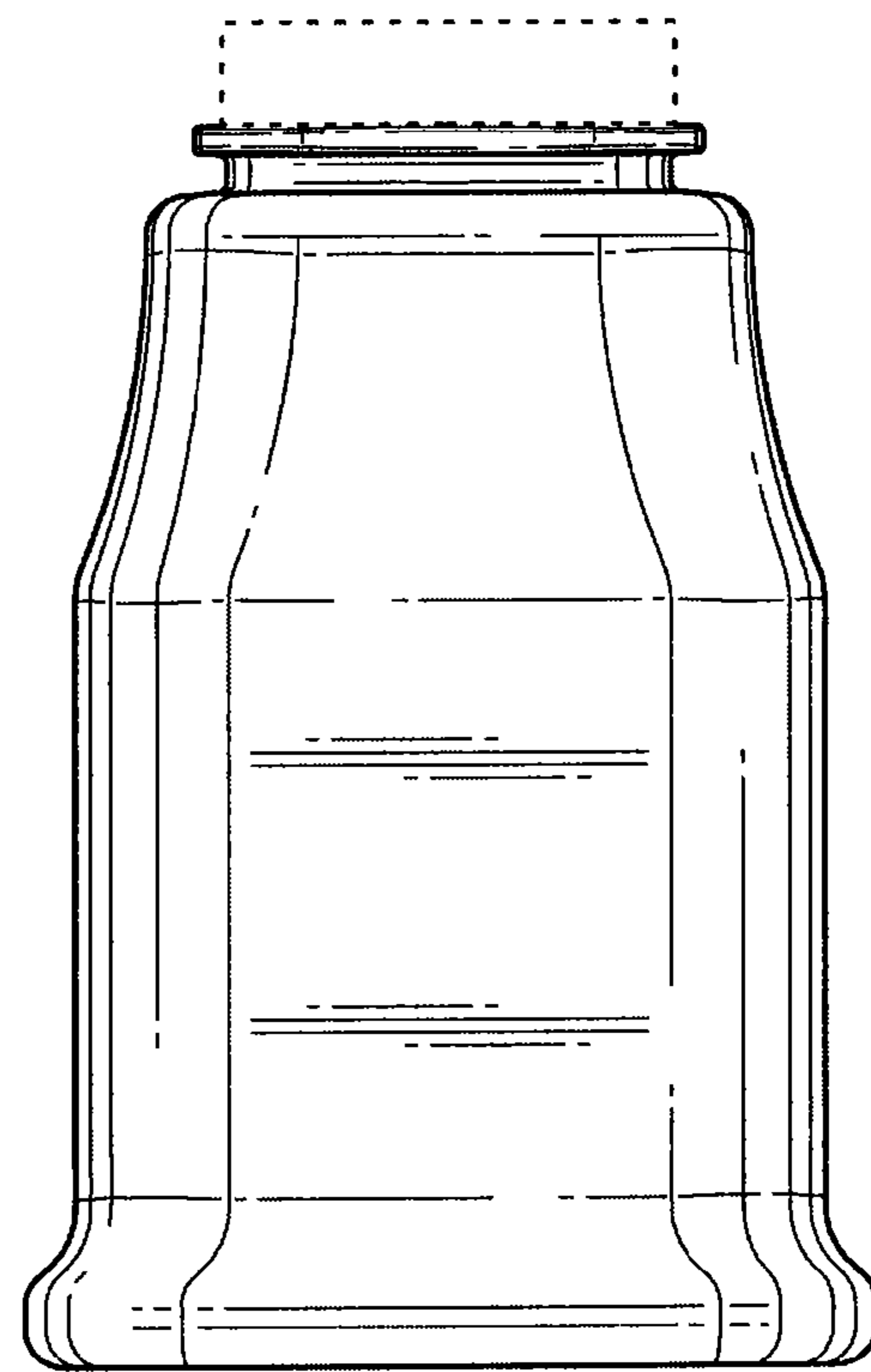


FIG. 4