



US00D619470S

(12) **United States Design Patent**
Zeidan

(10) **Patent No.:** **US D619,470 S**
(45) **Date of Patent:** **** Jul. 13, 2010**

- (54) **BOTTLE AND CAP**
 - (75) Inventor: **Rony Zeidan**, New York, NY (US)
 - (73) Assignee: **PRL USA Holdings, Inc.**, Wilmington, DE (US)
 - (**) Term: **14 Years**
 - (21) Appl. No.: **29/296,049**
 - (22) Filed: **Oct. 12, 2007**
 - (51) **LOC (9) Cl.** **09-01**
 - (52) **U.S. Cl.** **D9/544; D9/441; D9/451**
 - (58) **Field of Classification Search** D9/441, D9/451, 516, 529, 544, 546, 559, 560, 566, D9/568, 569, 572, 574, 682, 683, 684, 685, D9/686, 687, 688, 689, 690, 691, 692, 693, D9/694; D28/91.1; 215/381-385
- See application file for complete search history.

- D324,820 S * 3/1992 Hayman et al. D9/544
- D352,891 S * 11/1994 Lalique D9/656
- D474,693 S * 5/2003 Gruosi-Scheufele D9/544
- D481,957 S 11/2003 Modjeski
- D484,792 S * 1/2004 Sgariboldi D9/694
- D526,212 S * 8/2006 Faillant-Dumas D9/694
- D529,813 S 10/2006 Modjeski
- D530,213 S * 10/2006 Modjeski D9/546
- D530,216 S 10/2006 Modjeski
- D537,725 S * 3/2007 Varlet D9/544
- D542,144 S * 5/2007 Herrmann D9/560
- D542,670 S * 5/2007 Herrmann D9/560
- D562,689 S * 2/2008 Antretter D9/544
- D574,257 S * 8/2008 Zeidan D9/694
- D576,052 S * 9/2008 Lloyd et al. D9/694

* cited by examiner

Primary Examiner—Stella M Reid
Assistant Examiner—Elizabeth J Oswecki
(74) *Attorney, Agent, or Firm*—Rabiya Kader; Steven Trzaska; Maria Luisa Balasta

(56) **References Cited**

U.S. PATENT DOCUMENTS

- D61,829 S * 1/1923 Javal D9/544
- D70,310 S * 6/1926 Becker D9/544
- D76,142 S * 8/1928 Liddell D9/544
- D81,633 S * 7/1930 Wagner D9/520
- D90,196 S * 6/1933 LeLong D9/544
- D92,078 S * 4/1934 Guerlain D9/544
- D107,966 S * 1/1938 McIntosh D9/544
- D121,286 S * 7/1940 Robert D9/544
- D141,775 S * 7/1945 Buckingham D9/544
- D143,657 S * 1/1946 Graham D9/544
- D152,473 S * 1/1949 Heim D9/607
- D158,380 S * 5/1950 Heftler-Louiche D9/544
- D247,281 S * 2/1978 Grodin D9/564
- D272,603 S * 2/1984 Dinand D9/544

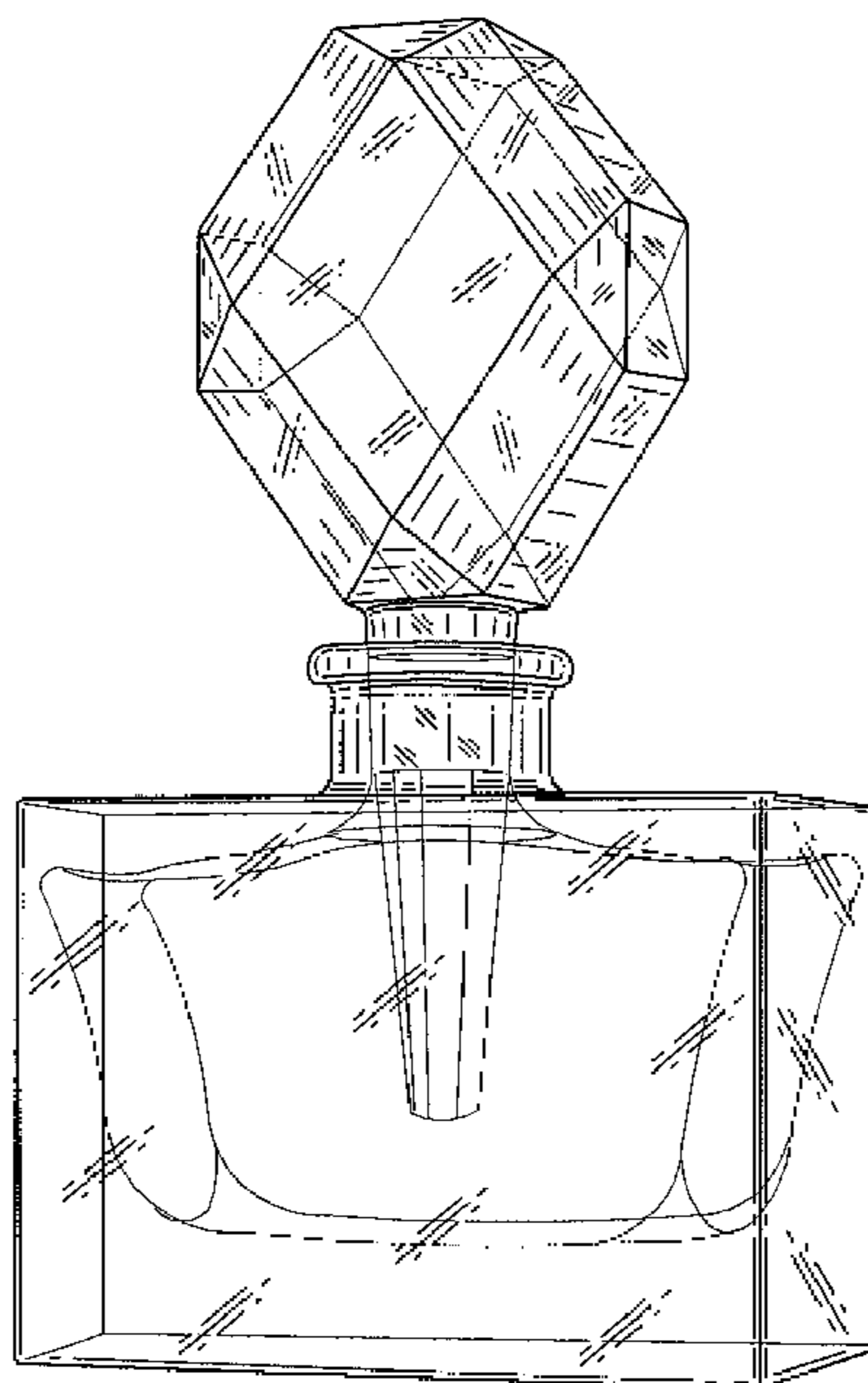
(57) **CLAIM**

The ornamental design for a bottle and cap, as shown and described.

DESCRIPTION

FIG. 1 is a perspective view of a bottle and cap showing my new design;
FIG. 2 is a top view thereof;
FIG. 3 is a front view thereof;
FIG. 4 is a side view thereof; and,
FIG. 5 is a bottom view thereof.
All sides not shown form no part of the claimed design.

1 Claim, 3 Drawing Sheets



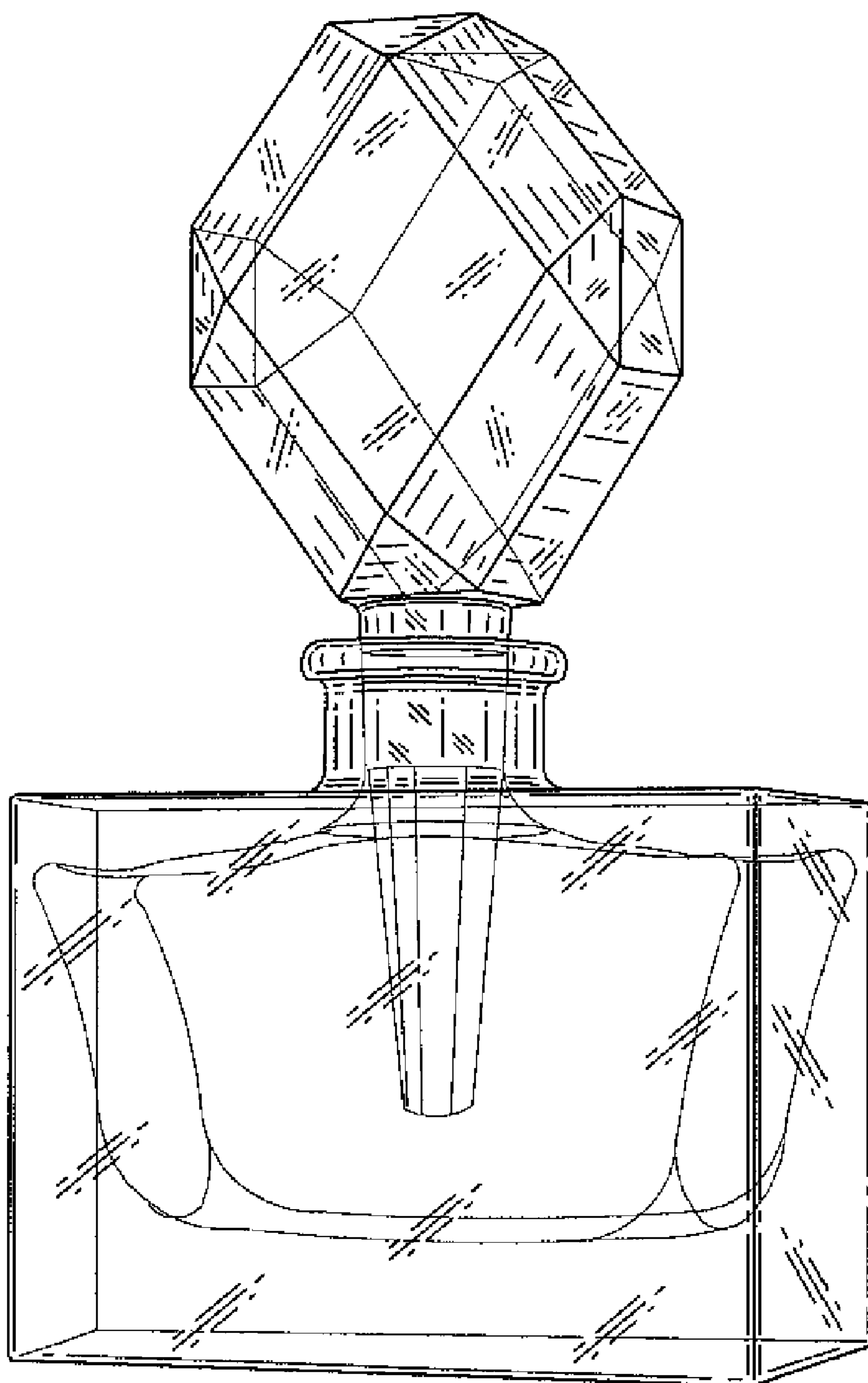


FIG. 1

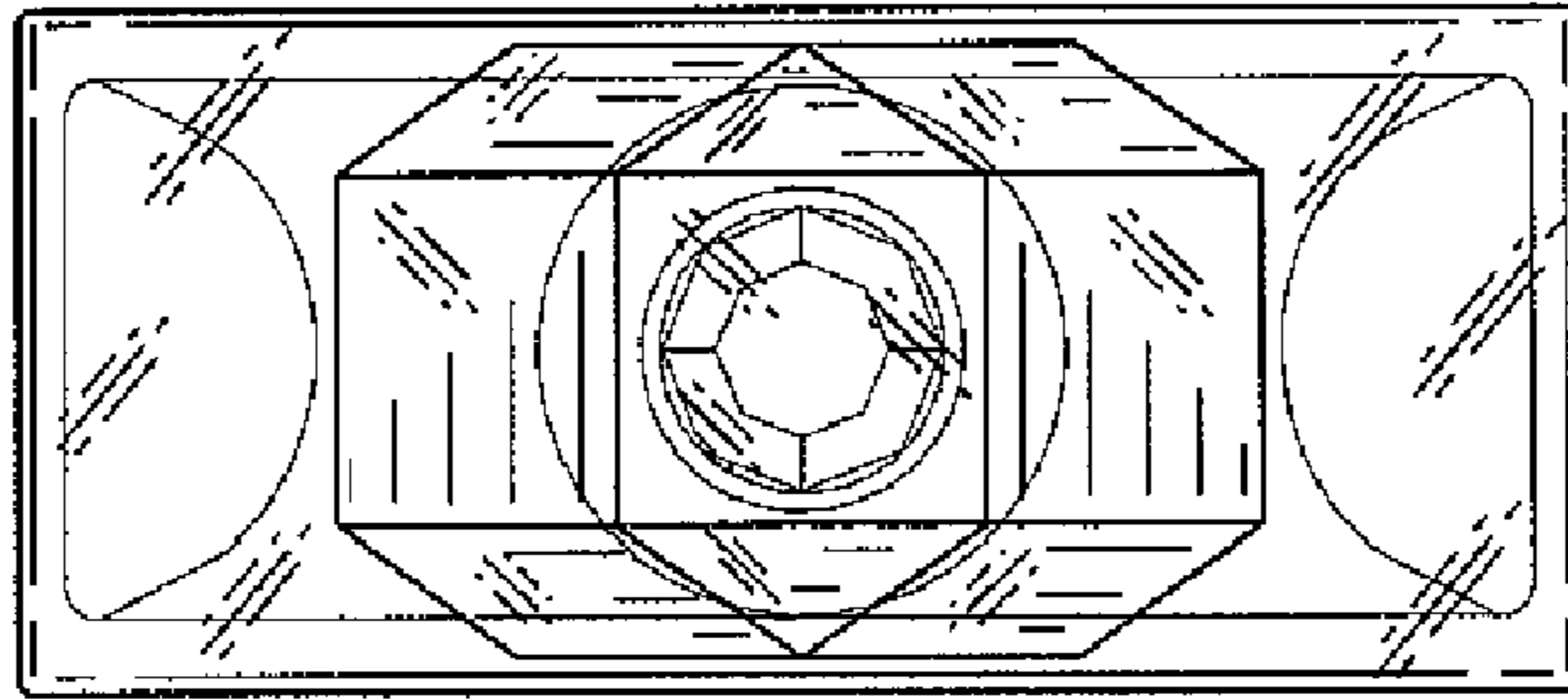


FIG. 2

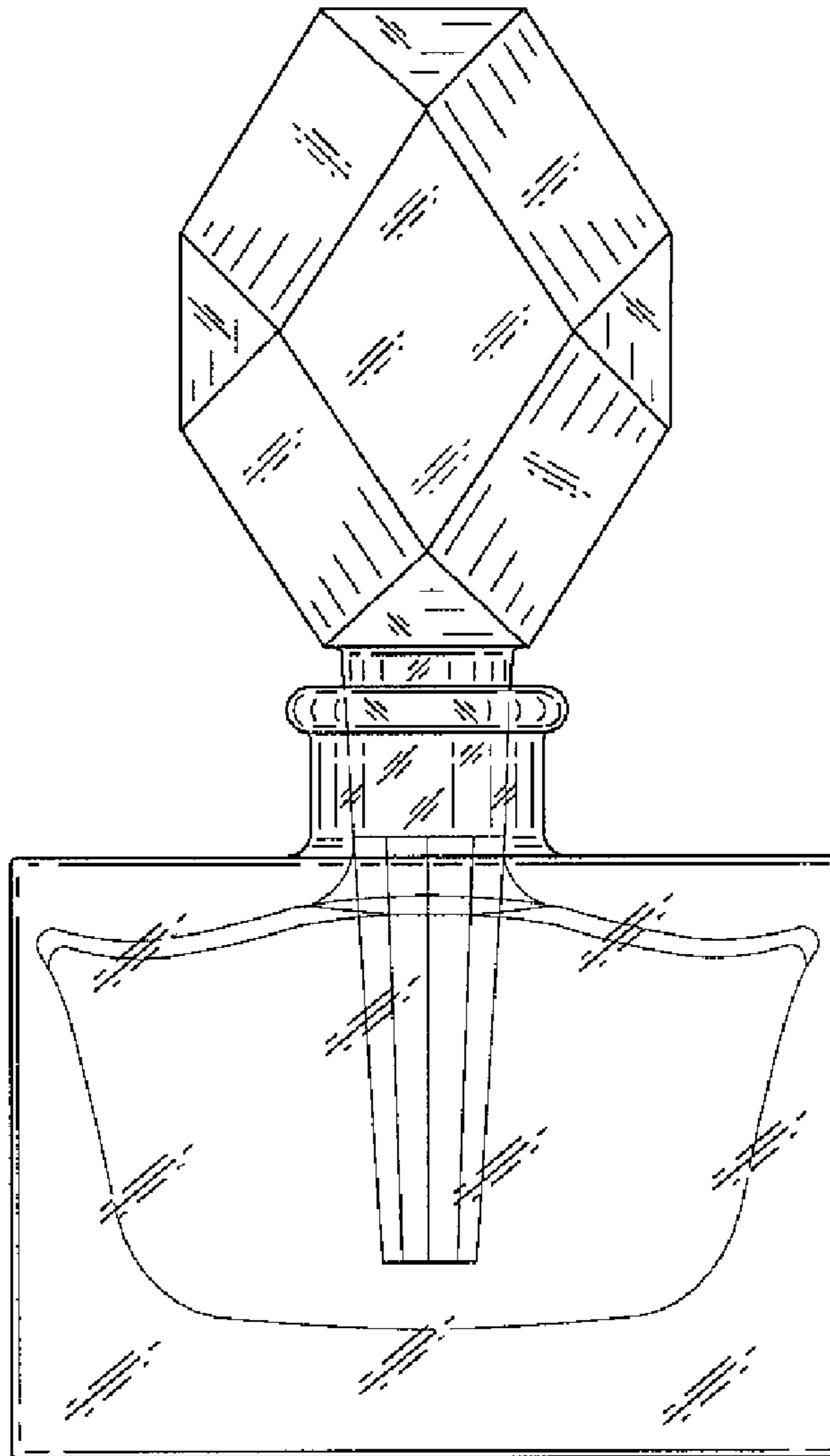


FIG. 3

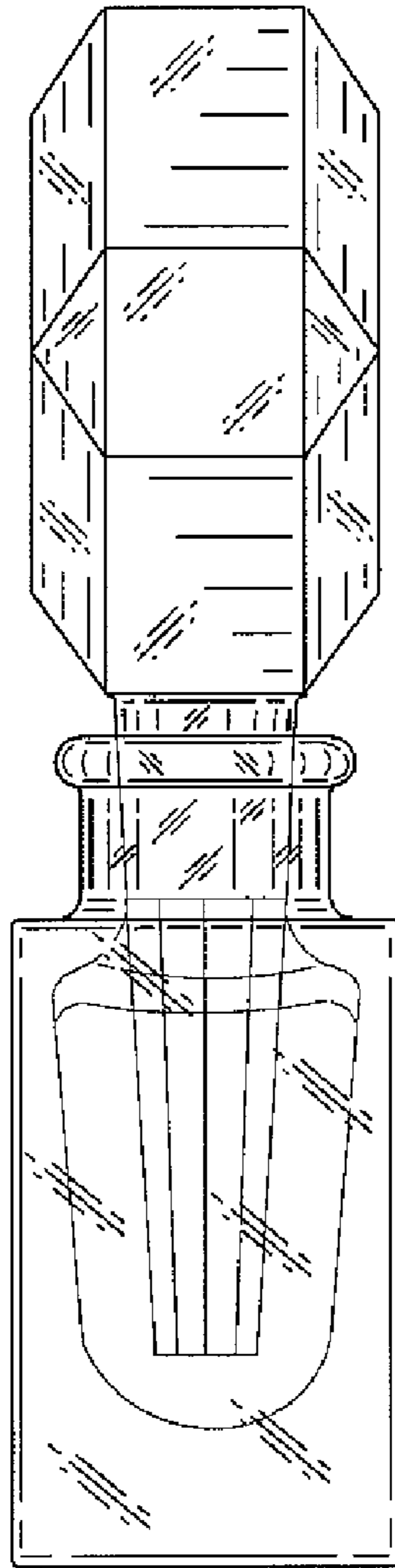


FIG. 4

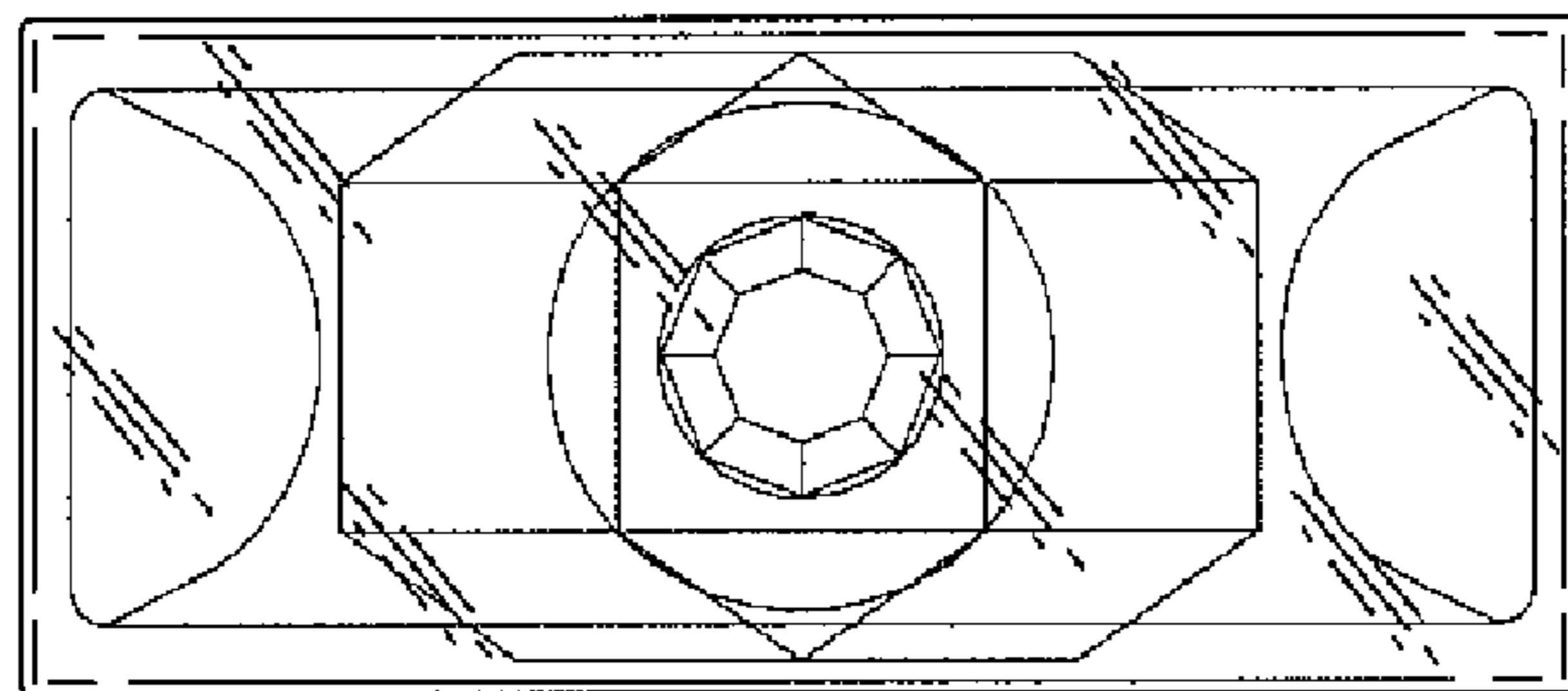


FIG. 5