



US00D619457S

(12) **United States Design Patent**
Walsh

(10) **Patent No.:** **US D619,457 S**

(45) **Date of Patent:** **** *Jul. 13, 2010**

(54) **CONTAINER BODY**

5,293,765 A 3/1994 Nussbaum-Pogacnik

(75) Inventor: **William J. Walsh**, Lombard, IL (US)

5,355,710 A 10/1994 Diekhoff

5,448,903 A 9/1995 Johnson

(73) Assignee: **Rexam Beverage Can Company**,
Chicago, IL (US)

(*) Notice: This patent is subject to a terminal disclaimer.

(Continued)

FOREIGN PATENT DOCUMENTS

(**) Term: **14 Years**

BE 376464 11/1931

(21) Appl. No.: **29/317,498**

(22) Filed: **Apr. 30, 2008**

(Continued)

(51) **LOC (9) Cl.** **09-01**

OTHER PUBLICATIONS

(52) **U.S. Cl.** **D9/500**

(58) **Field of Classification Search** D9/500,
D9/502-505, 516, 529, 537-539, 549, 558,
D9/763-764, 772; 215/379, 381-384; 220/660,
220/669-673, 675

International Search Report for PCT/US08/54212 mailed Jun. 25, 2008.

Primary Examiner—Ian Simmons

Assistant Examiner—Dana L Sipos

(74) *Attorney, Agent, or Firm*—Ungaretti & Harris LLP

See application file for complete search history.

(56) **References Cited**

(57) **CLAIM**

U.S. PATENT DOCUMENTS

- 1,443,682 A 1/1923 Gueritey
- 1,621,487 A 3/1927 Aulbach
- D86,037 S * 1/1932 Lloyd D9/500
- 2,195,257 A 3/1940 Paris
- 2,337,616 A 12/1943 McManus et al.
- D221,836 S * 9/1971 Giles et al. D9/500
- D246,229 S 11/1977 Saunders
- 4,058,998 A 11/1977 Franek et al.
- 4,441,354 A 4/1984 Bodega
- 4,512,172 A 4/1985 Abbott et al.
- D287,933 S * 1/1987 Mills et al. D9/500
- 4,643,330 A 2/1987 Kennedy
- D288,906 S * 3/1987 Strand D9/533
- 4,844,270 A 7/1989 Coffman
- 4,892,214 A 1/1990 Hamaguchi et al.
- 5,052,576 A 10/1991 Budenbender
- 5,061,140 A 10/1991 Hamaguchi et al.
- 5,135,124 A 8/1992 Wobser
- 5,190,181 A 3/1993 Budenbender

I claim the ornamental design for a container body, as shown and described.

DESCRIPTION

FIG. 1 is a perspective view of the present invention;

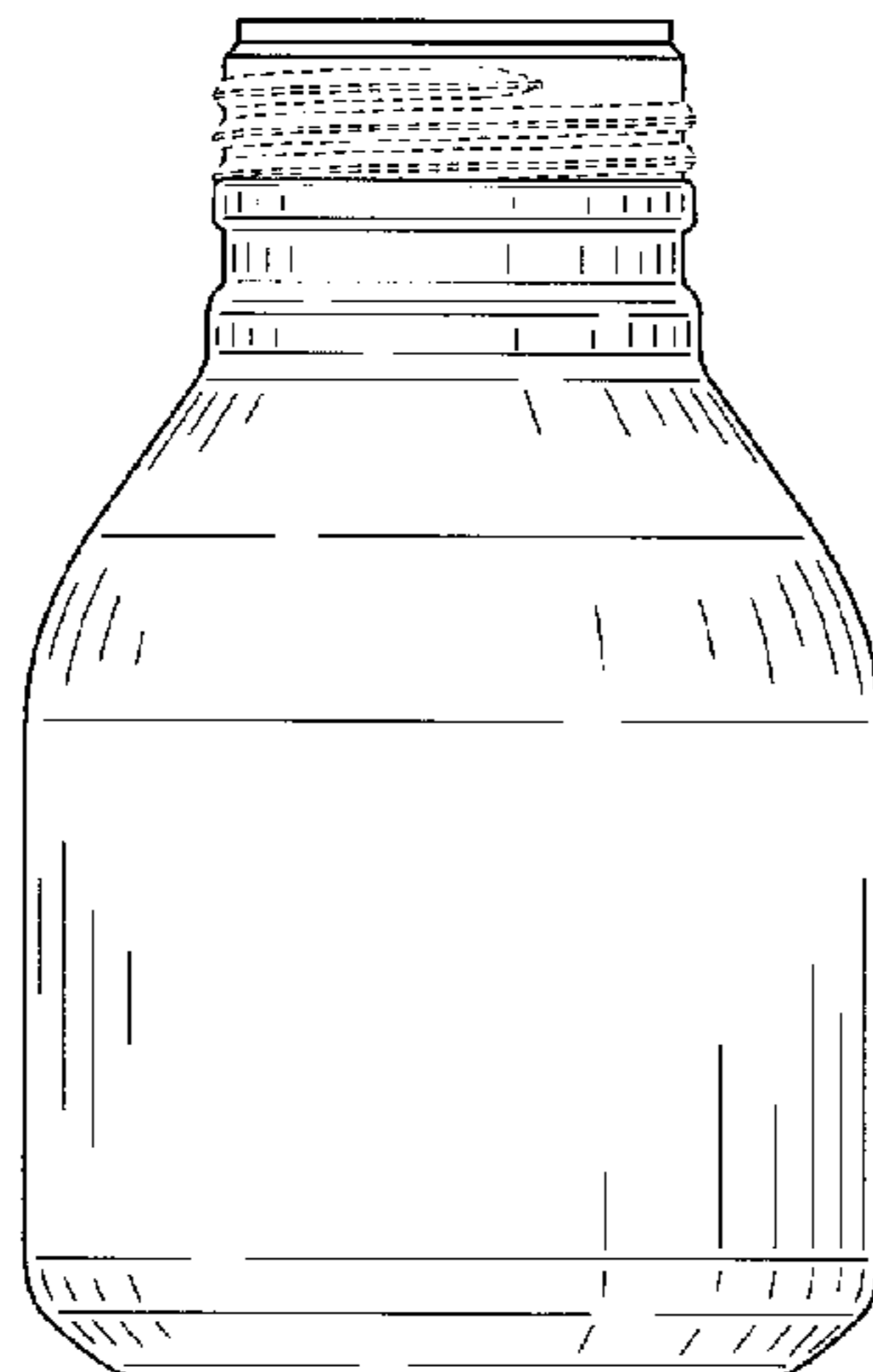
FIG. 2 is a side view of the present invention;

FIG. 3 is a top view of the present invention; and,

FIG. 4 is a bottom view of the present invention.

Features shown in broken lines in the drawings are not part of the claim.

1 Claim, 2 Drawing Sheets



US D619,457 S

Page 2

U.S. PATENT DOCUMENTS

5,497,900	A	3/1996	Caleffi et al.
D369,977	S	5/1996	Sexton, Jr.
5,557,963	A	9/1996	Diekhoff
5,572,893	A	11/1996	Goda et al.
5,605,248	A	2/1997	Jentzsch
5,660,301	A	8/1997	Kaplowitz
D384,888	S	10/1997	Diekhoff
5,704,240	A	1/1998	Jordan
5,711,447	A	1/1998	Plester
5,713,235	A	2/1998	Diekhoff
5,718,352	A	2/1998	Diekhoff et al.
5,778,723	A	7/1998	Diekhoff
5,822,843	A	10/1998	Diekhoff et al.
5,875,909	A	3/1999	Guglielmini
5,881,907	A	3/1999	Schutz
6,010,026	A	1/2000	Diekhoff et al.
6,010,028	A	1/2000	Jordan et al.
6,082,944	A	7/2000	Bachmann et al.
6,105,807	A	8/2000	McCrossen
D437,233	S	2/2001	Gibert
6,206,222	B1	3/2001	Cudzik
6,463,776	B1	10/2002	Enoki et al.
6,499,329	B1	12/2002	Enoki et al.
6,543,636	B1	4/2003	Flecheux et al.
D489,620	S *	5/2004	Goodell et al. D9/503
6,761,280	B2	7/2004	Zonker et al.
6,779,677	B2	8/2004	Chupak
6,857,304	B2	2/2005	Enoki
6,907,653	B2	6/2005	Chupak
6,959,830	B1	11/2005	Kanou et al.
7,014,060	B2	3/2006	Richardson
D523,345	S *	6/2006	Kamineni D9/537
7,069,763	B2	7/2006	Cook et al.
D554,000	S	10/2007	Walsh
D584,623	S *	1/2009	Chupak D9/500
2001/0040167	A1	11/2001	Flecheux et al.
2005/0205575	A1	9/2005	Kobayashi et al.
2006/0011633	A1	1/2006	Cook et al.

FOREIGN PATENT DOCUMENTS

CA	678389	1/1964
DE	4439464 C1	5/1996
DE	19513886 A1	10/1996
DE	29512058 U1	12/1996

DE	19806481 A1	8/1998
DE	19722628 A1	12/1998
EP	0281543 A2	9/1988
EP	0182646 B1	3/1989
EP	0380662 A1	8/1990
EP	0510291 A1	10/1992
EP	0512131 A2	11/1992
EP	0537773 A1	4/1993
EP	0549987 A1	7/1993
EP	0581568 B1	2/1994
EP	0667299 A1	8/1995
EP	0693434 B1	1/1996
EP	0743260 A1	11/1996
EP	0864385 A2	9/1998
EP	1134046 A1	9/2001
EP	1136154 A1	9/2001
EP	1459997 A1	9/2004
EP	1468925 A1	10/2004
FR	633497	1/1928
FR	2688431 A1	9/1993
FR	2708252 A1	2/1995
GB	2330548 A	4/1999
JP	01210136	8/1989
JP	11139438	5/1999
JP	2001-90898	4/2001
JP	2002037442	2/2002
JP	2002-137032 A	5/2002
JP	2003-181577 A	7/2003
JP	2003-290854 A	10/2003
JP	2007-039095 A	2/2007
RU	59523	7/2006
WO	WO-91/11274	8/1991
WO	WO-96/15865	5/1996
WO	WO-96/16754	6/1996
WO	WO-97/42091	11/1997
WO	WO-98/06636	2/1998
WO	WO-99/18013	4/1999
WO	WO-99/32363	7/1999
WO	WO-99/32363 A	7/1999
WO	WO-99/43558	9/1999
WO	WO-99/46176	9/1999
WO	WO-99/48764	9/1999
WO	WO-01/15829 A1	3/2001
WO	WO-03/047991 A1	6/2003
WO	WO 2005/108216 A1	11/2005

* cited by examiner

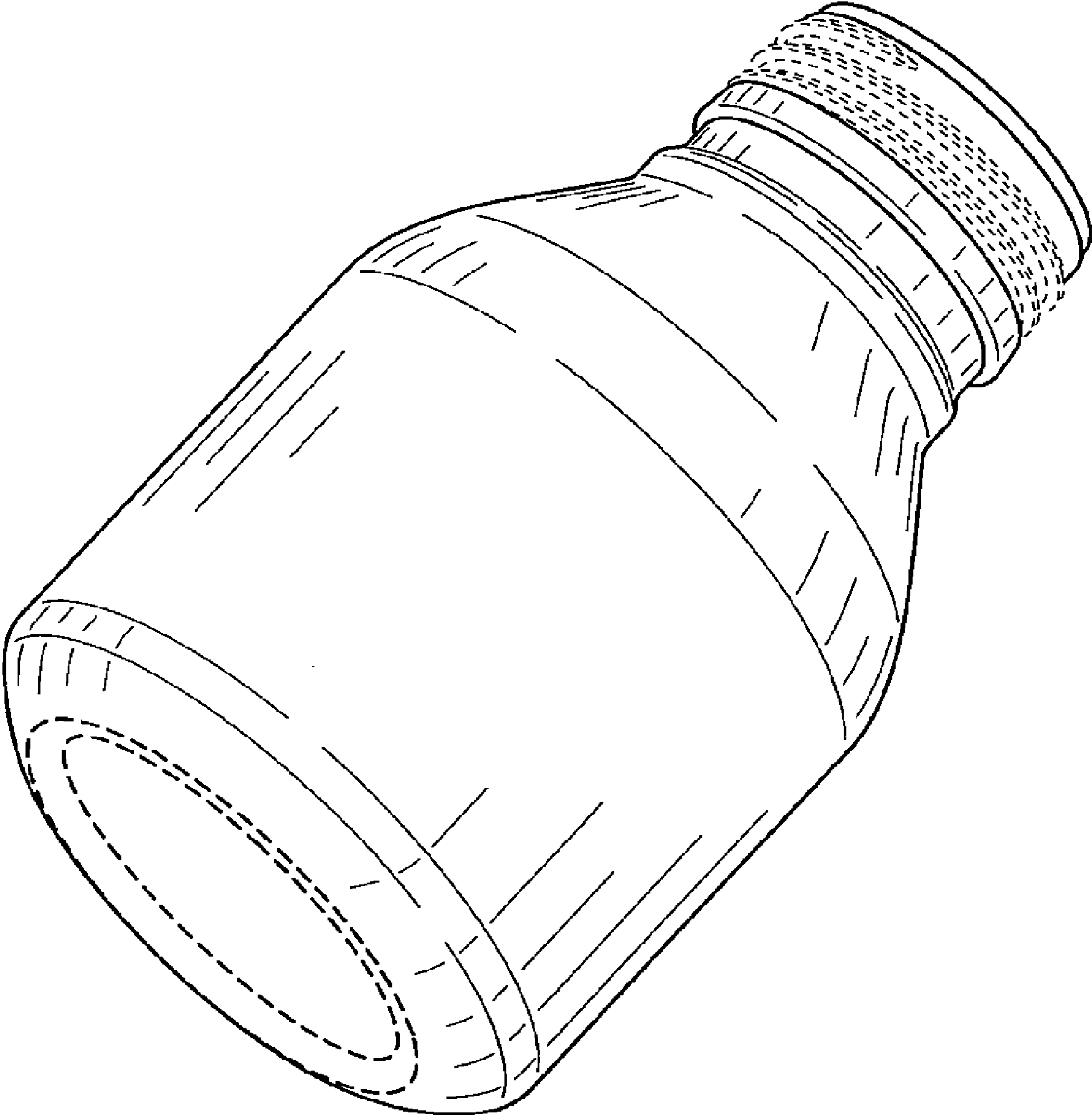


FIG. 1

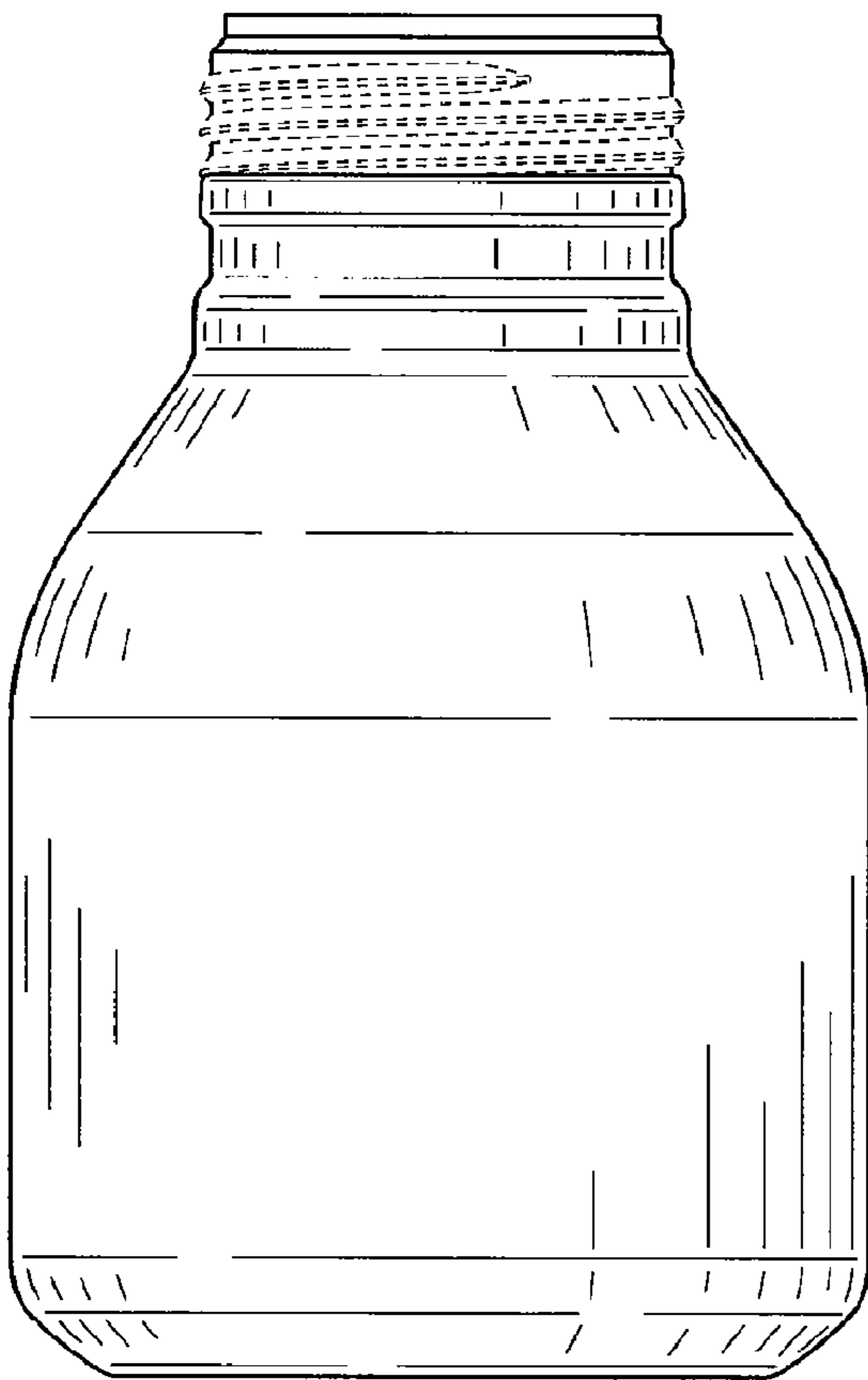


FIG. 2

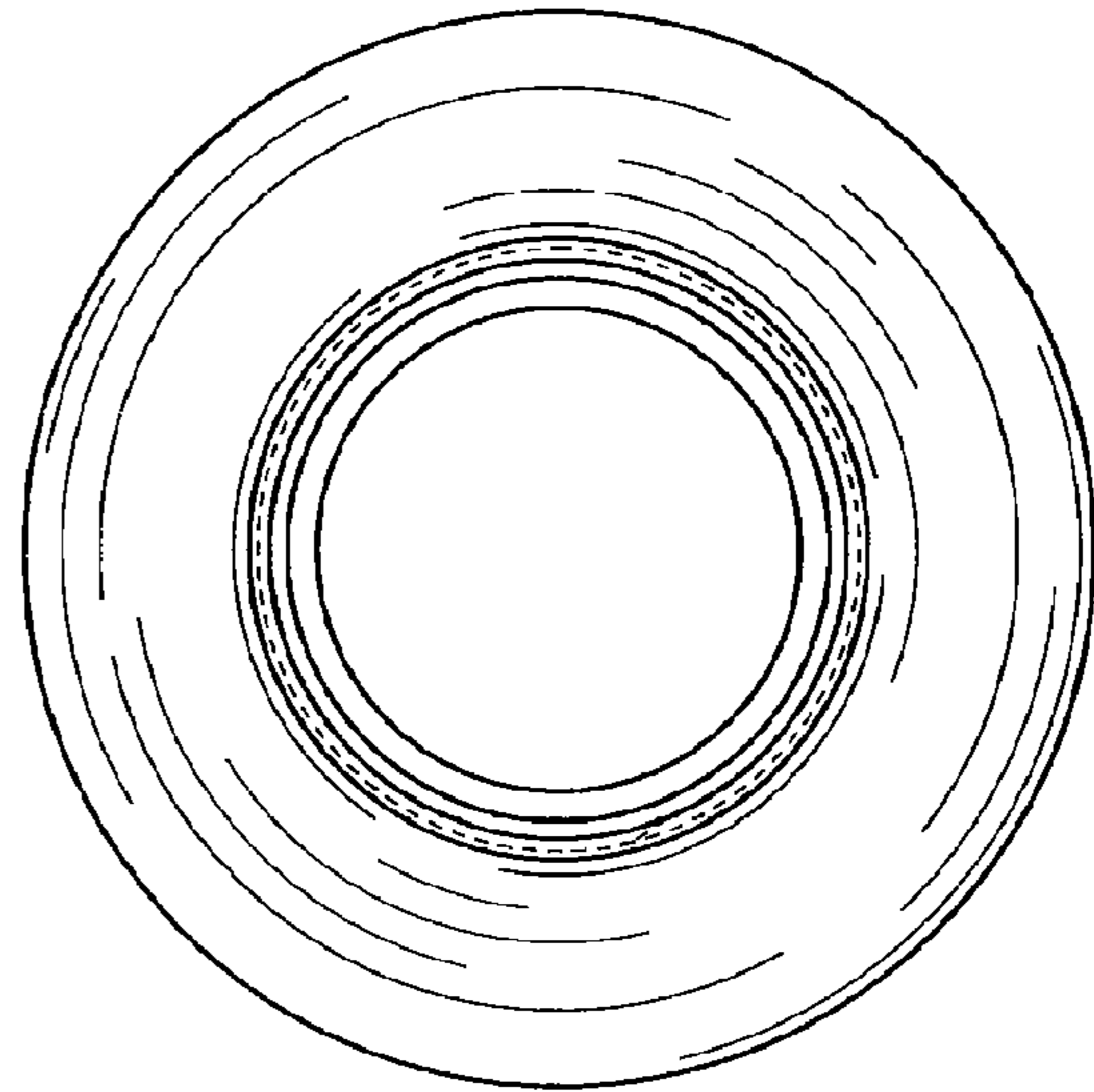


FIG. 3

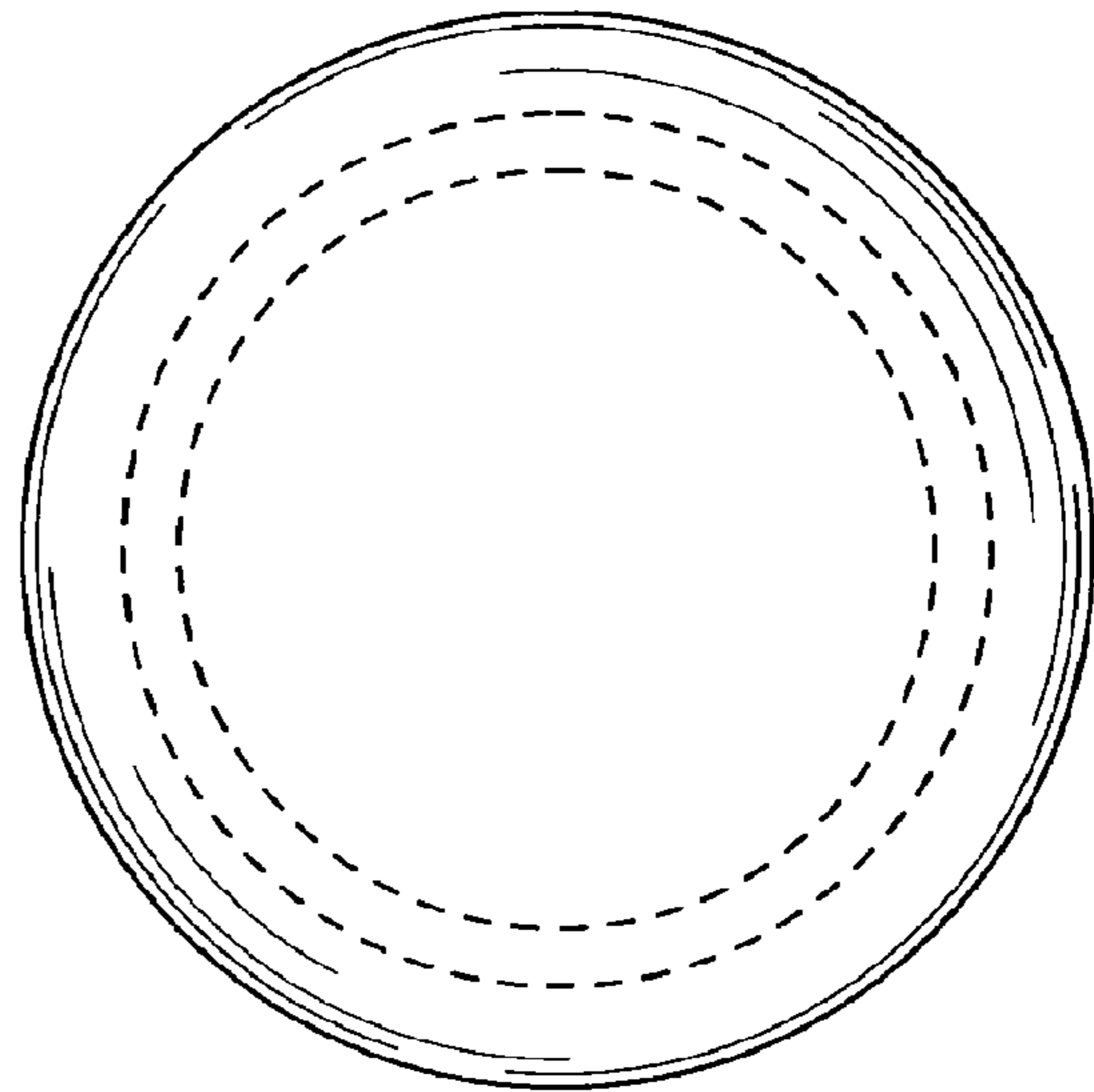


FIG. 4