



US00D619455S

(12) **United States Design Patent**
Millard

(10) **Patent No.:** **US D619,455 S**
(45) **Date of Patent:** **** Jul. 13, 2010**

(54) **BUSINESS CARD DISPLAY AND HOLDER**

(76) Inventor: **William S. Millard**, 5432 S. Genoa St.,
Centennial, CO (US) 80015

(**) Term: **14 Years**

(21) Appl. No.: **29/343,684**

(22) Filed: **Sep. 17, 2009**

(51) **LOC (9) Cl.** **09-03**

(52) **U.S. Cl.** **D9/433**

(58) **Field of Classification Search** D9/430-433,
D9/414, 418, 420-424; D3/272; 206/267,
206/269, 270, 273, 299, 737, 740, 822, 37;
229/100, 101, 101.3, 106, 108-112, 114-117,
229/117.05-117.09, 117.24-117.26, 221,
229/222, 227, 902, 939, 941, 942; 40/404
See application file for complete search history.

(56) **References Cited**

U.S. PATENT DOCUMENTS

511,080	A *	12/1893	Howe et al.	229/111
622,273	A *	4/1899	Schmidt	229/108
636,047	A *	10/1899	Knobeloch	229/111
RE12,770	E *	3/1908	Brown	229/108.1
1,677,770	A *	7/1928	Harnsberger	206/232
1,846,900	A *	2/1932	Morehead	206/249
D99,905	S *	6/1936	Sweeney	D9/415
3,329,386	A *	7/1967	Rosen	248/340
3,655,119	A *	4/1972	Thompson	229/72
D233,158	S *	10/1974	Lowe, Jr.	D30/162
D236,695	S *	9/1975	Elford	D9/433
3,904,029	A	9/1975	Koltz	
D241,718	S *	10/1976	Hourahine	D9/457
D255,992	S *	7/1980	Card	D9/433
D283,303	S *	4/1986	Montealegre	D9/759
4,579,232	A	4/1986	Fedak	
4,817,905	A	4/1989	Rondone	
4,819,792	A	4/1989	Christian	
D315,504	S *	3/1991	Labankoff	D9/433
D325,518	S *	4/1992	Matkovich	D9/414
5,458,242	A	10/1995	Baka et al.	
5,572,815	A *	11/1996	Kovner	40/404

5,573,110	A	11/1996	Nguyen	
5,809,673	A *	9/1998	Johnson et al.	40/124.08
5,950,341	A	9/1999	Cross	
D436,533	S *	1/2001	Correll	D9/433
6,220,555	B1	4/2001	Chase	
D474,966	S *	5/2003	Schrem et al.	D9/433
6,631,839	B2	10/2003	Shair	
6,694,650	B2	2/2004	Brown	
7,100,317	B1	9/2006	Strong	
7,260,907	B2	8/2007	Sturba et al.	
D589,347	S *	3/2009	Dacey	D9/433

(Continued)

Primary Examiner—Robert M Spear
Assistant Examiner—Karen Acker
(74) *Attorney, Agent, or Firm*—Sinorica, LLC

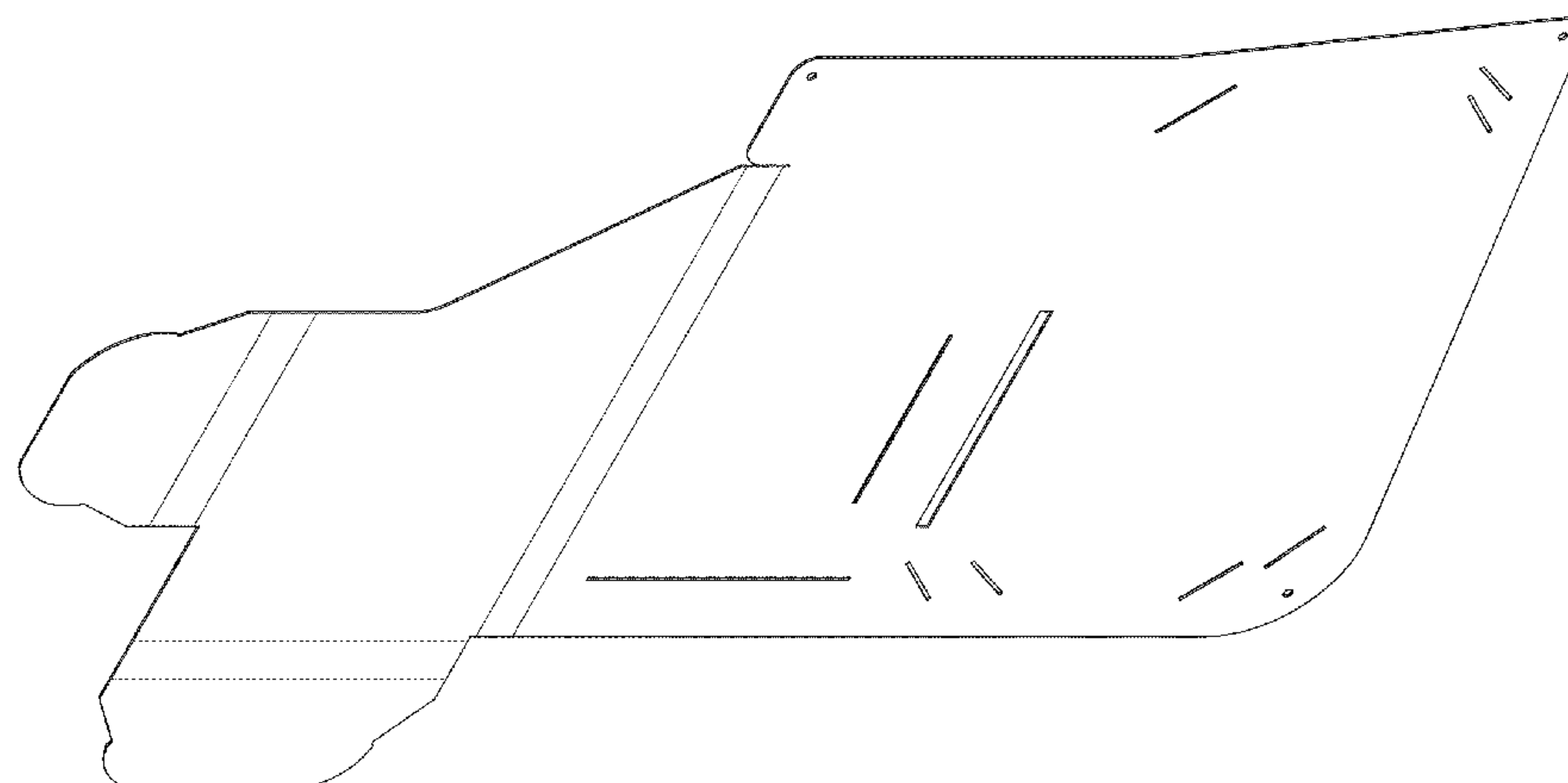
(57) **CLAIM**

The ornamental design for a business card display and holder, as shown and described.

DESCRIPTION

FIG. 1 is a front perspective view of a business card display and holder;
FIG. 2 is a top plan view thereof, the bottom plan view being a mirror image thereof;
FIG. 3 is a front elevational view thereof, the rear elevational view being a mirror image thereof;
FIG. 4 is a front perspective view of a business card display and holder in folded position;
FIG. 5 is a top plan view of FIG. 4; and,
FIG. 6 is a right-side elevational view of FIG. 4.

1 Claim, 6 Drawing Sheets



US D619,455 S

Page 2

U.S. PATENT DOCUMENTS

D607,321 S *	1/2010	Mark	D9/423	2005/0144827 A1	7/2005	Decell, Jr.
2003/0201316 A1 *	10/2003	Manninen	229/103	2009/0001706 A1	1/2009	Huber

* cited by examiner

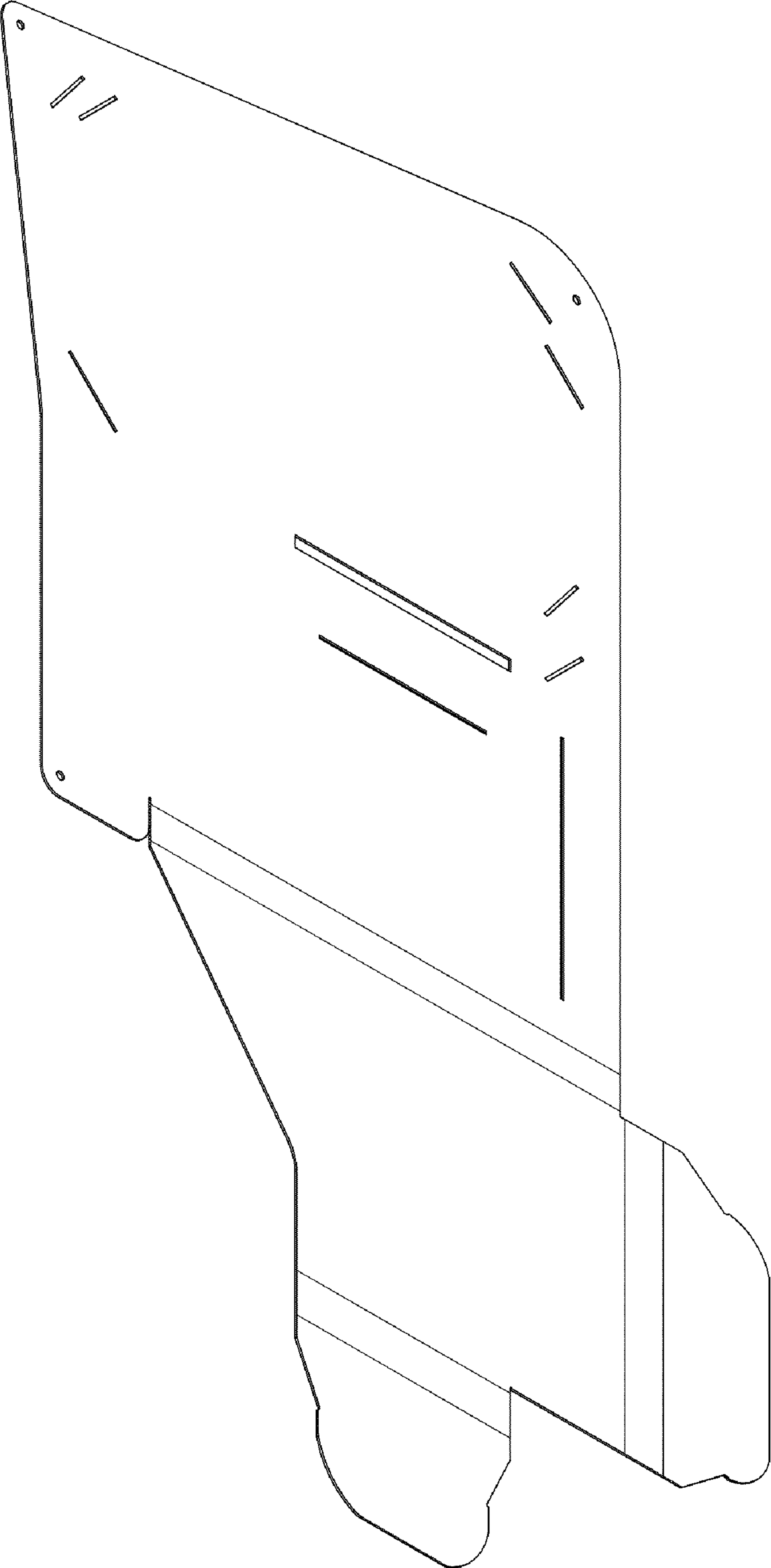


Figure 1

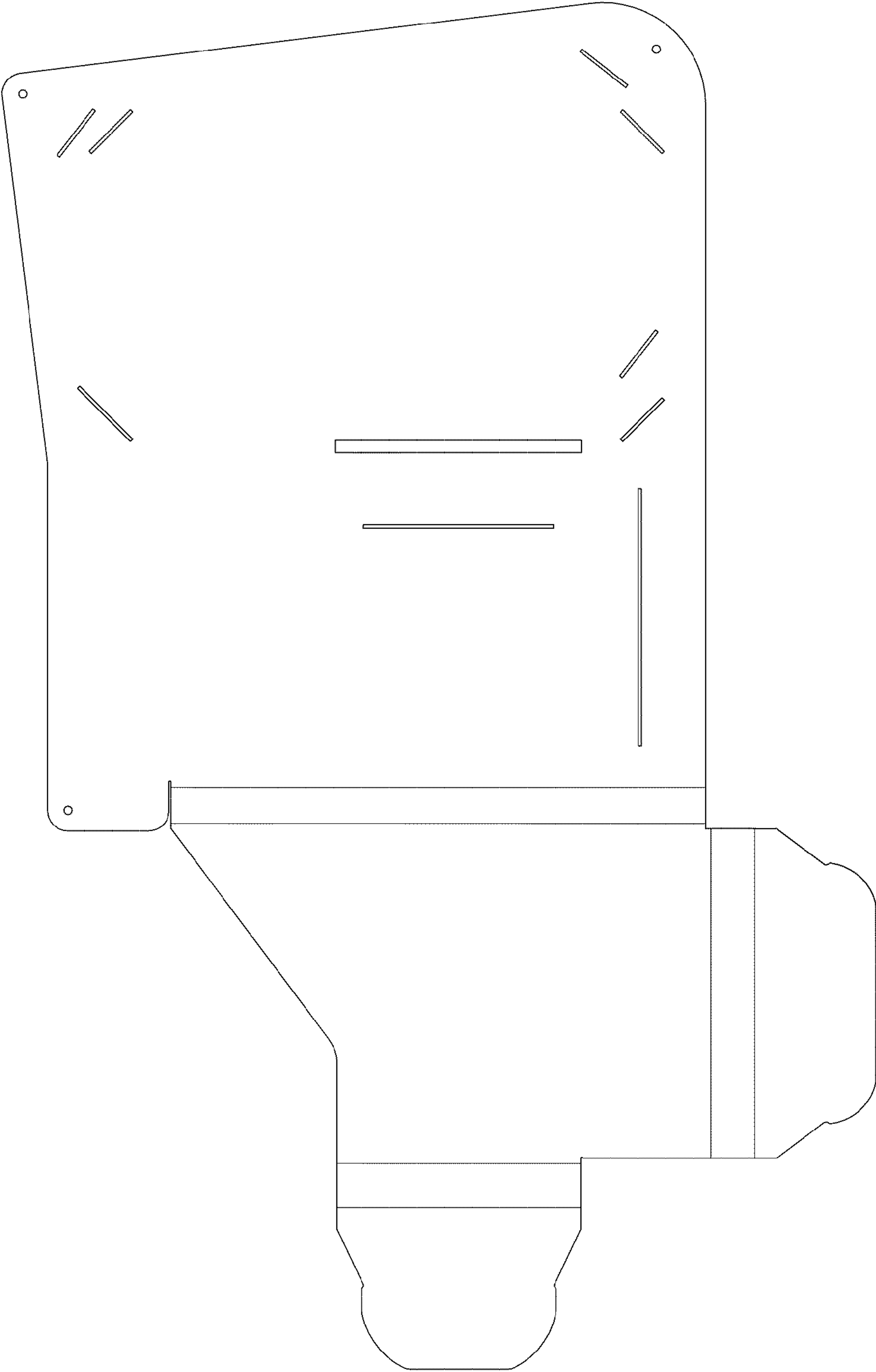


Figure 2




Figure 3

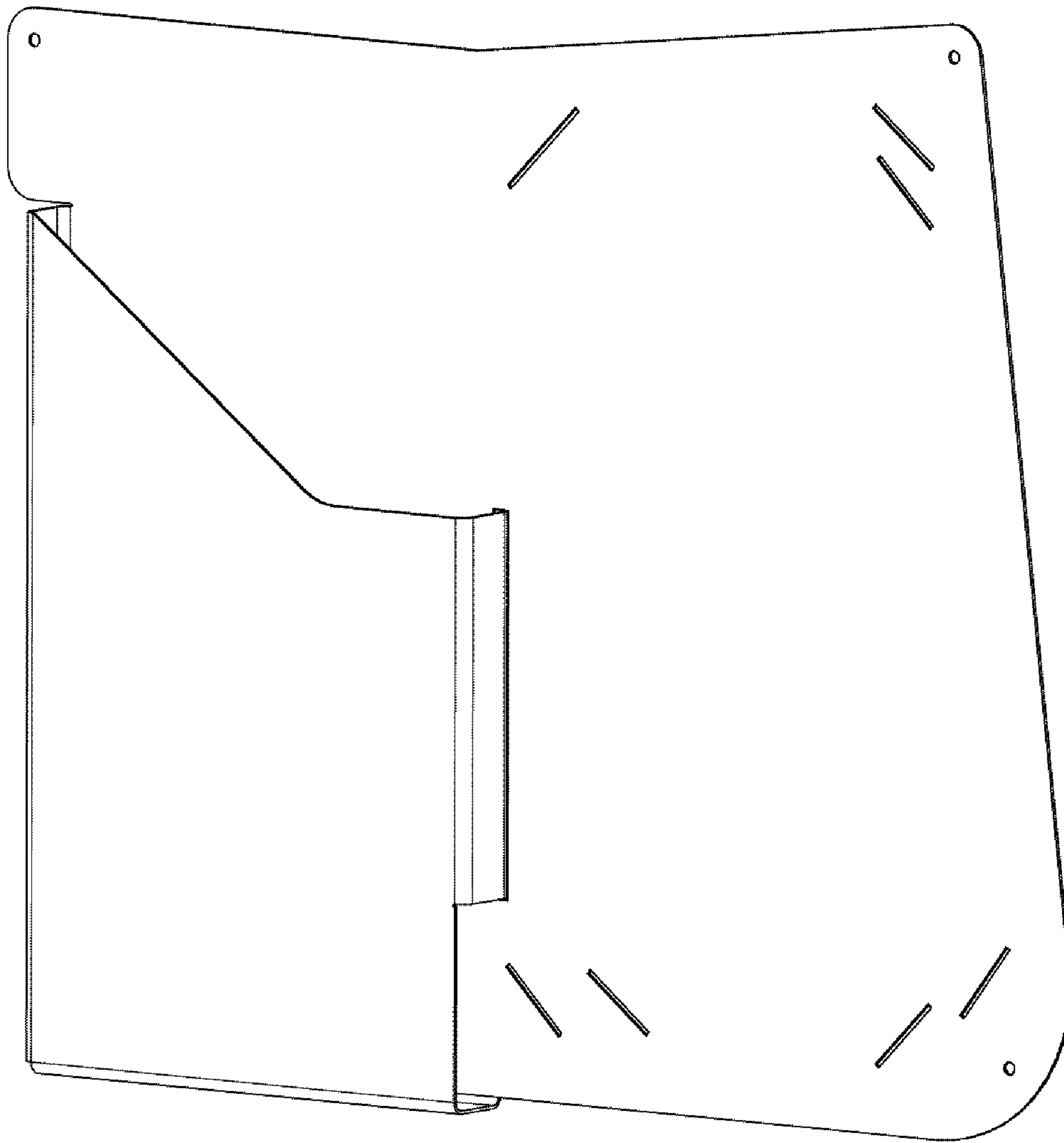


Figure 4

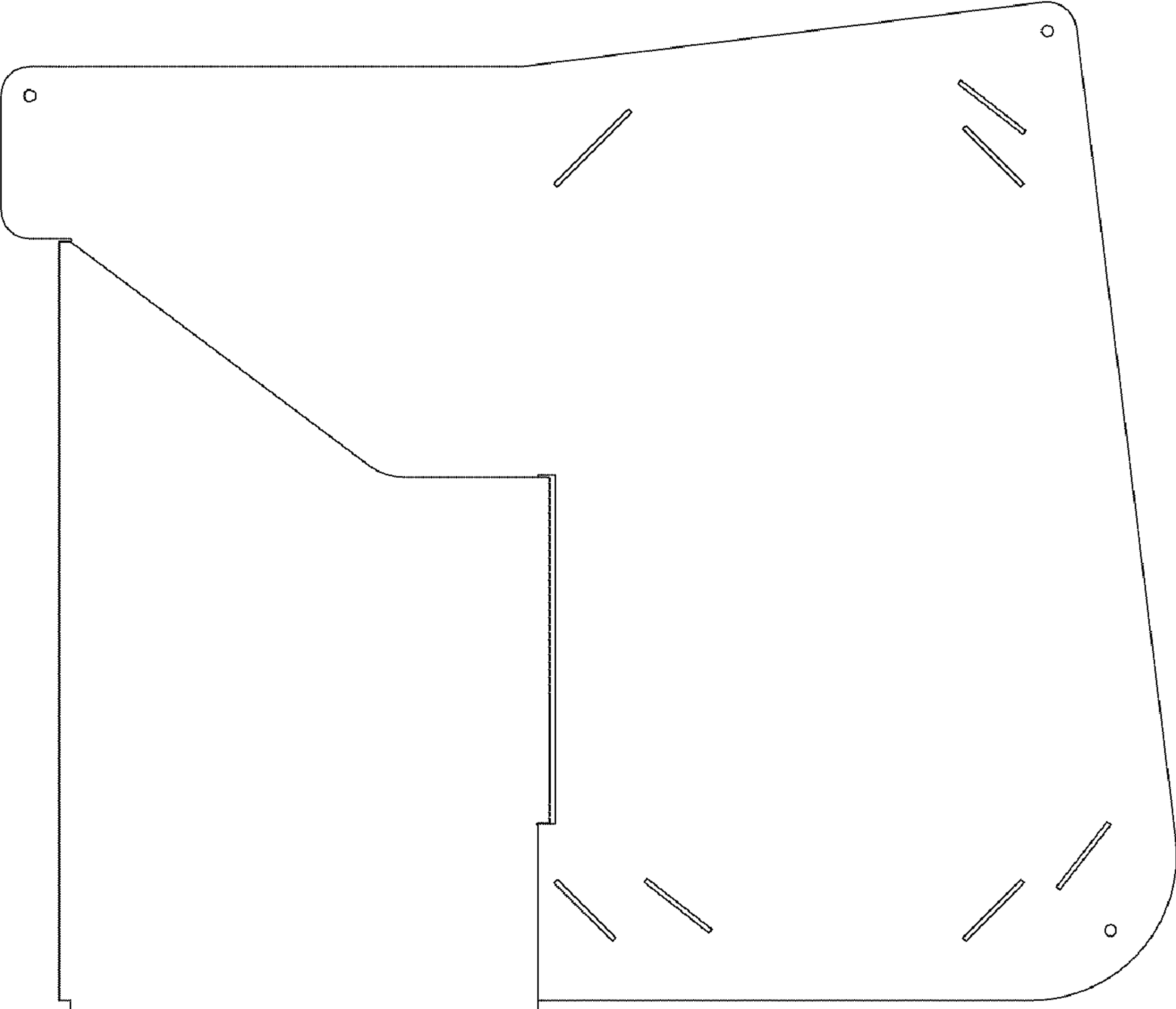


Figure 5

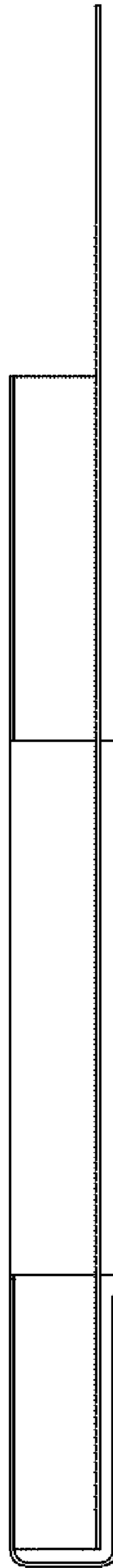


Figure 6