



US00D619454S

(12) **United States Design Patent**
Fluegel et al.

(10) **Patent No.:** **US D619,454 S**
(45) **Date of Patent:** **** *Jul. 13, 2010**

(54) **COMESTIBLE PACKAGE**

(75) Inventors: **Heather L. Fluegel**, Long Grove, IL (US); **Tobias Linnardi**, Unterhaching (DE); **Marius F. Tent**, Unterhaching (DE)

(73) Assignee: **Wm. Wrigley Jr. Company**, Chicago, IL (US)

(*) Notice: This patent is subject to a terminal disclaimer.

(**) Term: **14 Years**

(21) Appl. No.: **29/336,098**

(22) Filed: **Apr. 28, 2009**

(51) **LOC (9) Cl.** **09-03**

(52) **U.S. Cl.** **D9/423**

(58) **Field of Classification Search** D9/414, D9/416, 420, 422, 423, 432, 433, 499, 337; 206/5, 5.1, 37, 232, 308.1-308.3, 307, 316.1, 206/372, 387.13, 425, 449, 450, 472-476, 206/493, 494, 527, 734; 229/87.18, 126, 229/19, 800; 220/890, 100, 123, 124, 125; D3/218, 273; D6/407, 626, 632

See application file for complete search history.

(56) **References Cited**

U.S. PATENT DOCUMENTS

183,466	A	10/1876	Pearl et al.	
D327,004	S	6/1992	Nadel	
D381,692	S *	7/1997	Lovell	D19/91
D421,568	S *	3/2000	Ferguson et al.	D9/414
D431,775	S *	10/2000	Plattner et al.	D9/415
D479,464	S	9/2003	Kopecky	
D484,046	S	12/2003	Kopecky	
D503,087	S	3/2005	Dzwill et al.	
D512,304	S *	12/2005	Aldridge	D9/422
7,032,754	B2	4/2006	Kopecky	
D535,187	S *	1/2007	Clark et al.	D9/430
7,159,717	B2 *	1/2007	Aldridge et al.	206/449
7,325,686	B2	2/2008	Aldridge et al.	

D582,268	S	12/2008	Zanaletti	
D592,047	S *	5/2009	Glass	D9/423
7,533,773	B2 *	5/2009	Aldridge et al.	206/738
D594,323	S *	6/2009	Friedman et al.	D9/423
7,569,008	B2 *	8/2009	Aldridge et al.	206/449

FOREIGN PATENT DOCUMENTS

GB	2227457	A1	8/1990
JP	11-001220	A1	1/1999
WO	2009025860	A1	2/2009

* cited by examiner

Primary Examiner—Daniel D Bui

Assistant Examiner—Thomas J Johannes

(74) *Attorney, Agent, or Firm*—Myriah Gambrell-Glenn; Wm. Wrigley Jr. Company

(57) **CLAIM**

The ornamental design for a comestible package, as shown and described.

DESCRIPTION

FIG. 1 is a perspective view of a comestible package, showing our new design;

FIG. 2 is a front view thereof;

FIG. 3 is a rear view thereof;

FIG. 4 is a top view thereof;

FIG. 5 is a bottom view thereof;

FIG. 6 is a right view thereof;

FIG. 7 is a left view thereof;

FIG. 8 is a perspective view thereof in a tucked position;

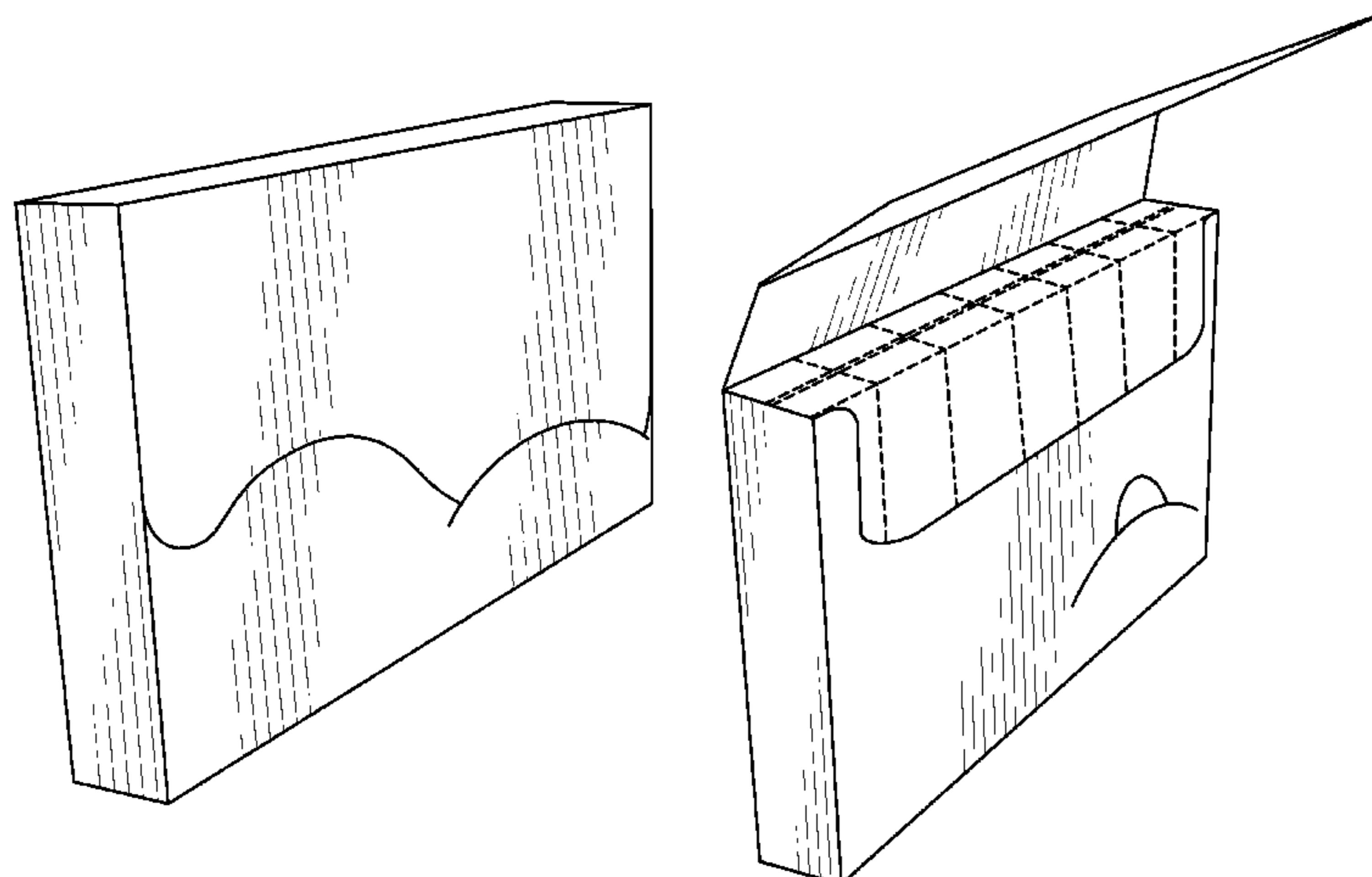
FIG. 9 is a front view thereof in a tucked position;

FIG. 10 is a perspective view thereof in an open position; and,

FIG. 11 is a front view thereof in an open position.

The broken line portion of the drawings is included to show unclaimed subject matter only and forms no part of the claimed design.

1 Claim, 6 Drawing Sheets



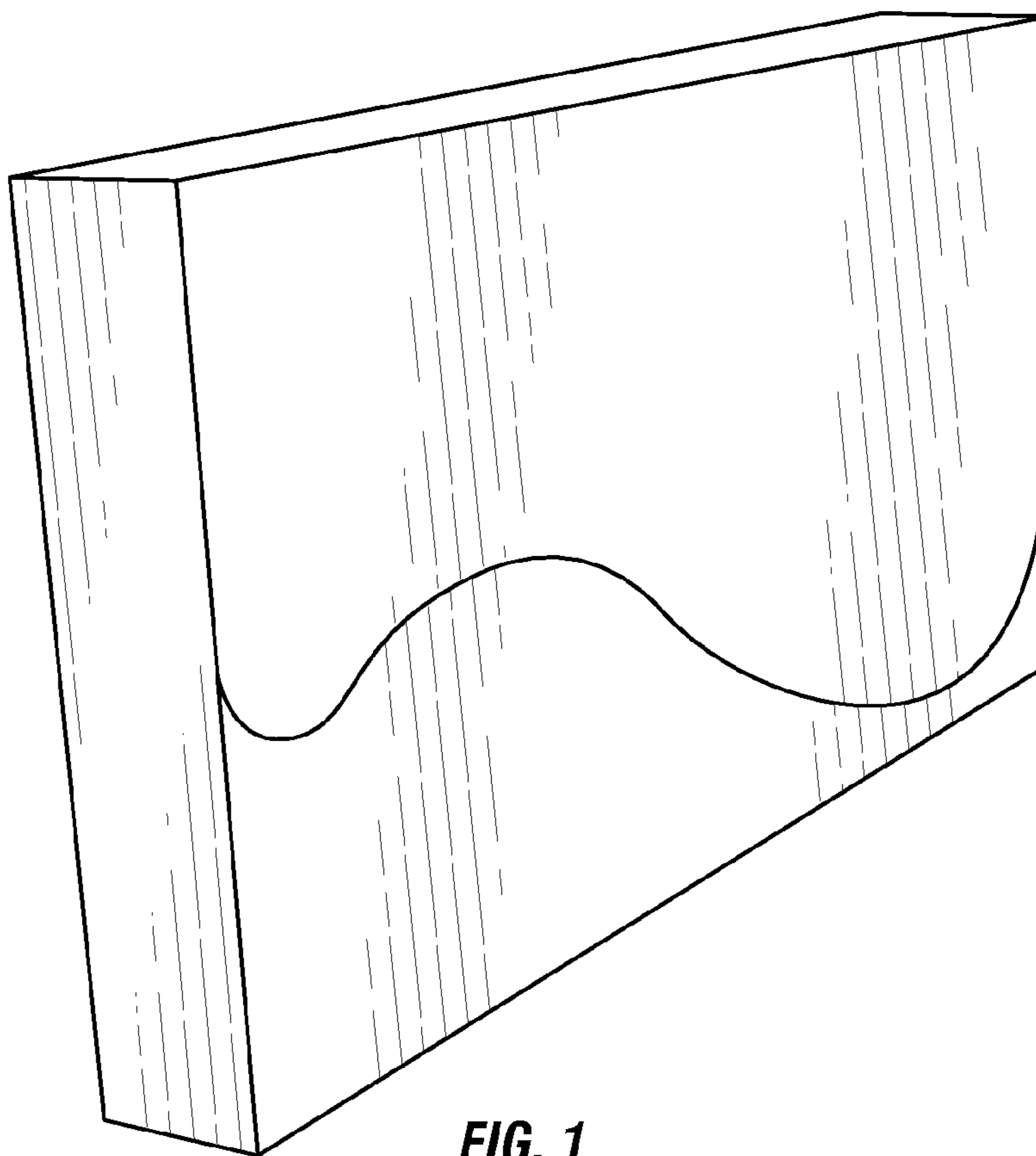


FIG. 1

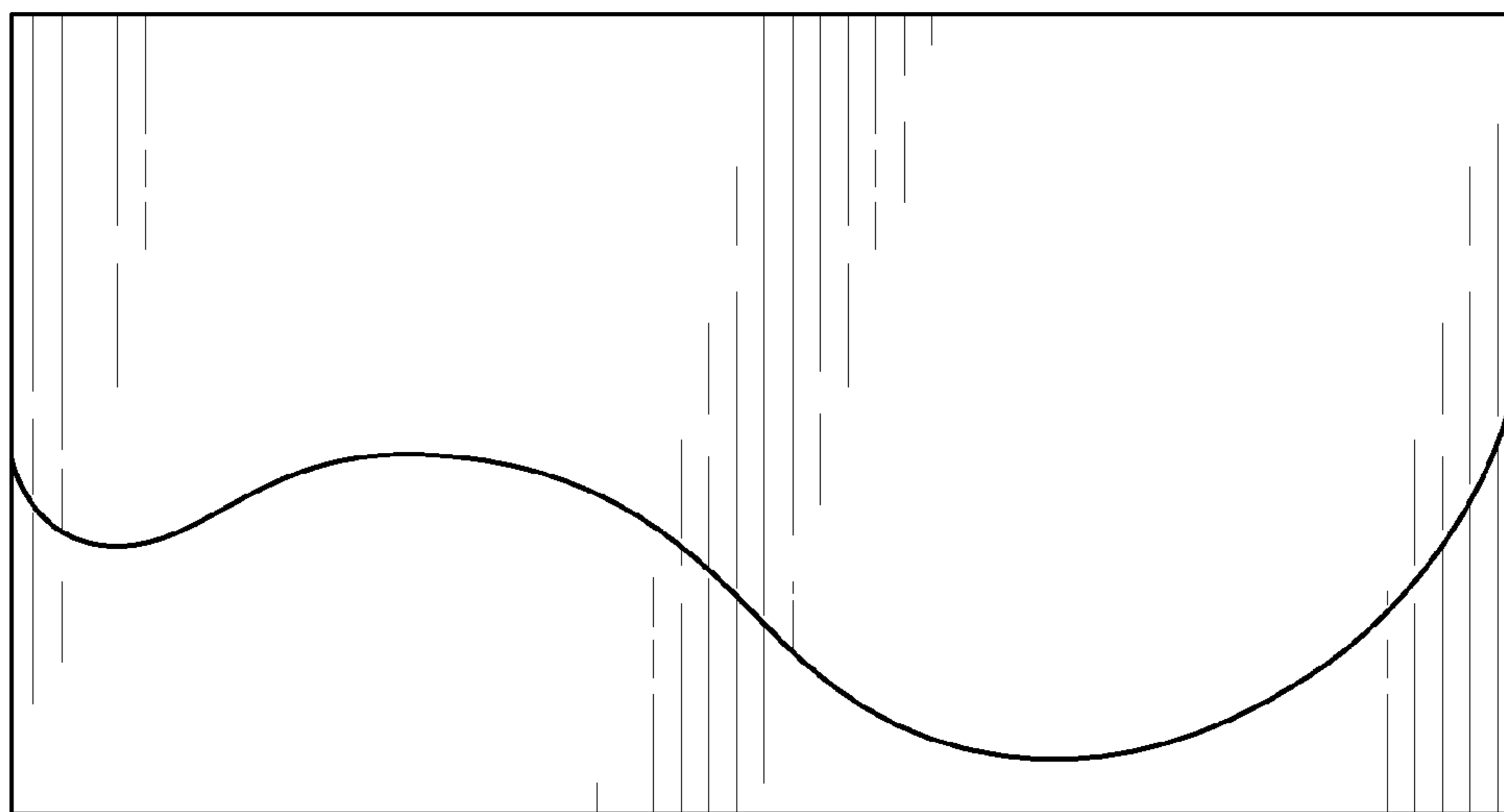


FIG. 2

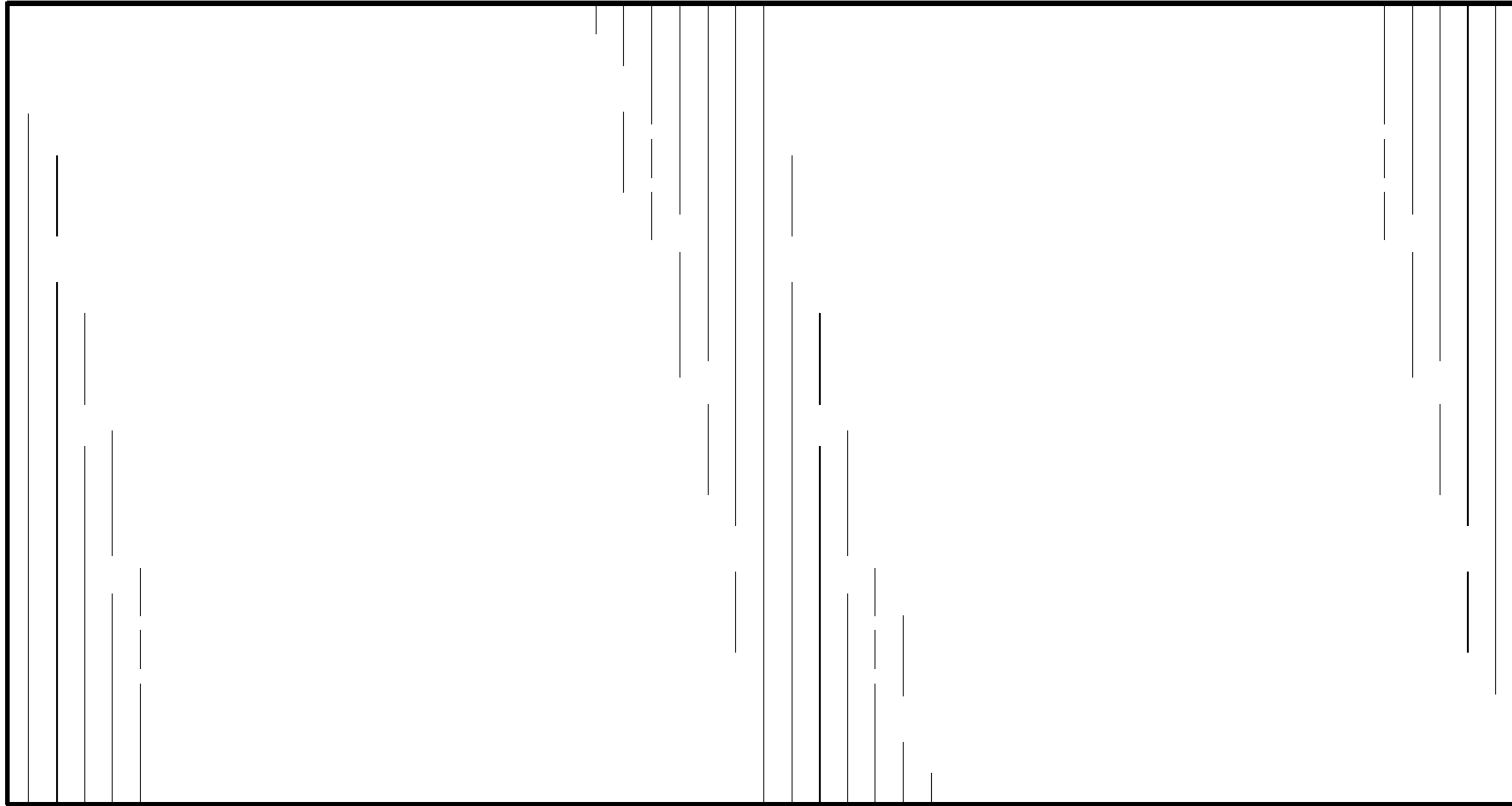


FIG. 3

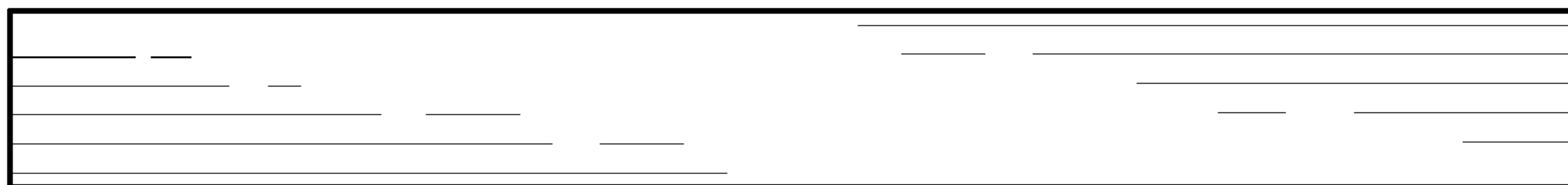


FIG. 4

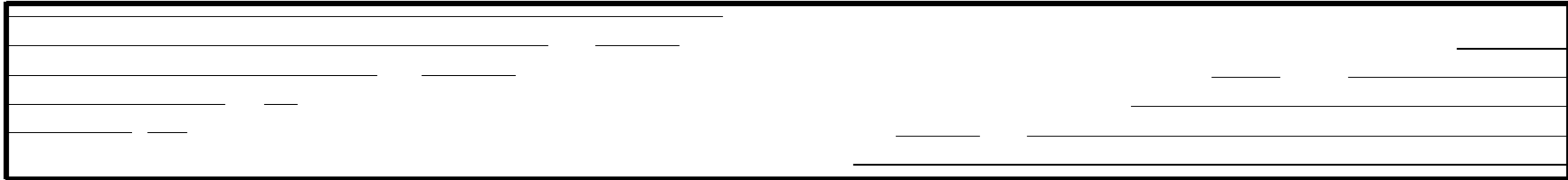


FIG. 5

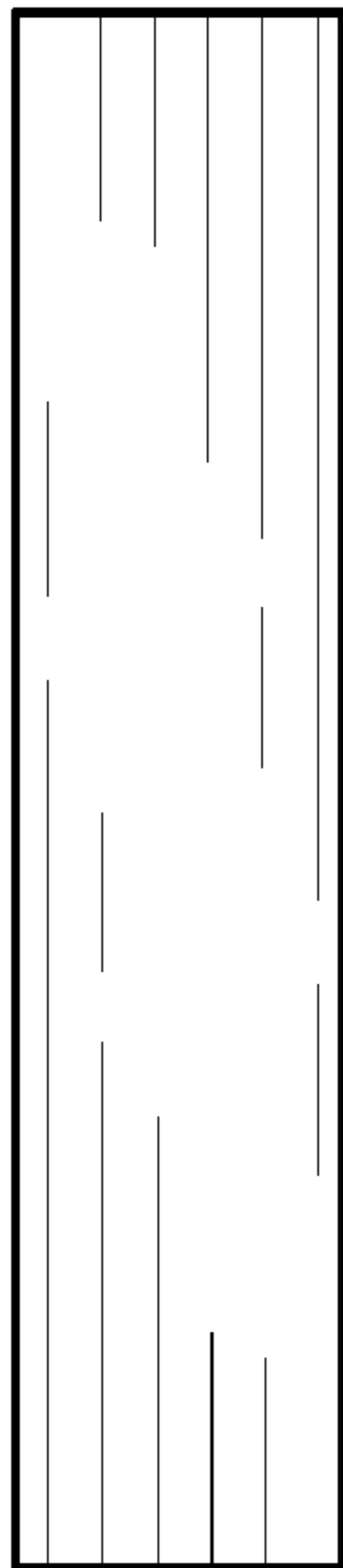


FIG. 6

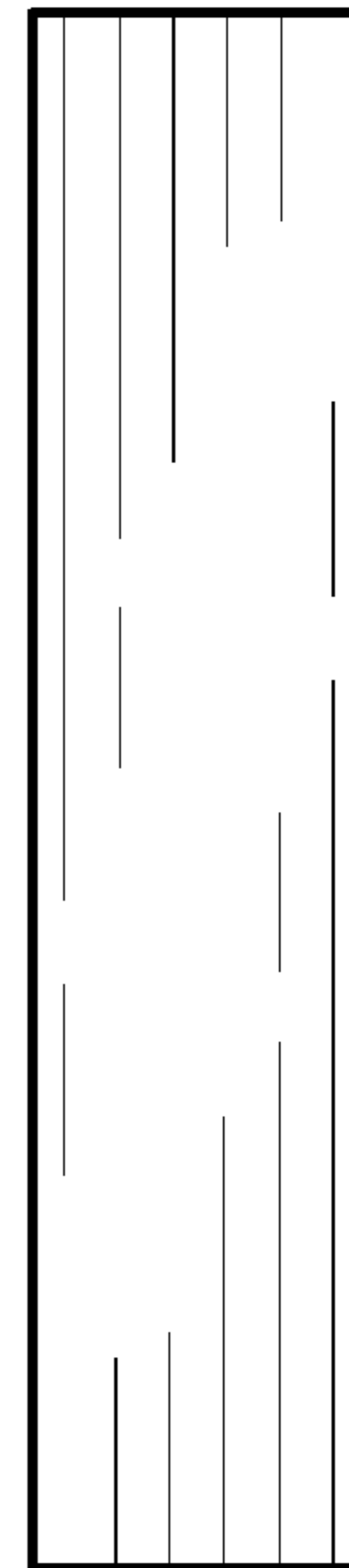


FIG. 7

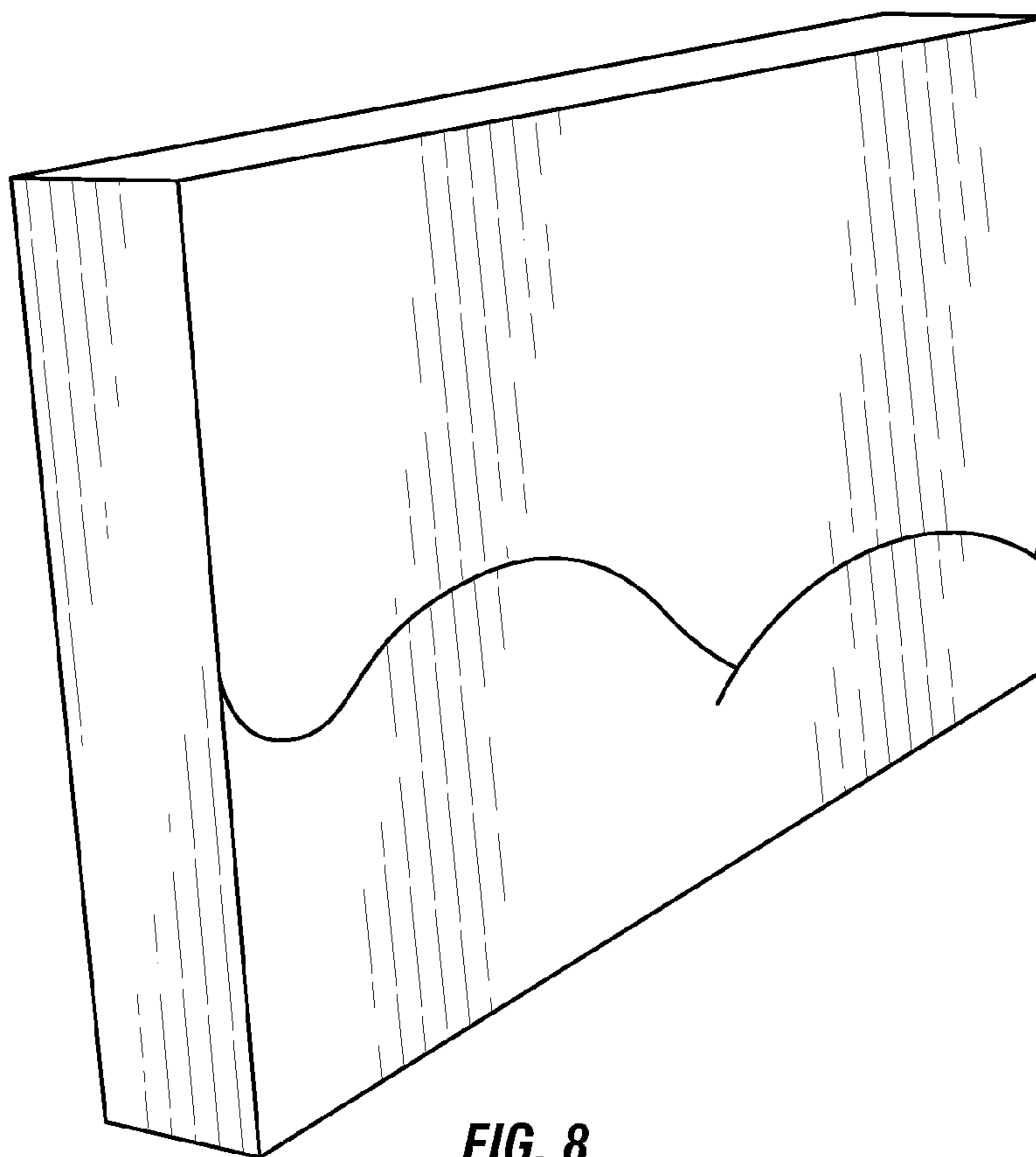


FIG. 8

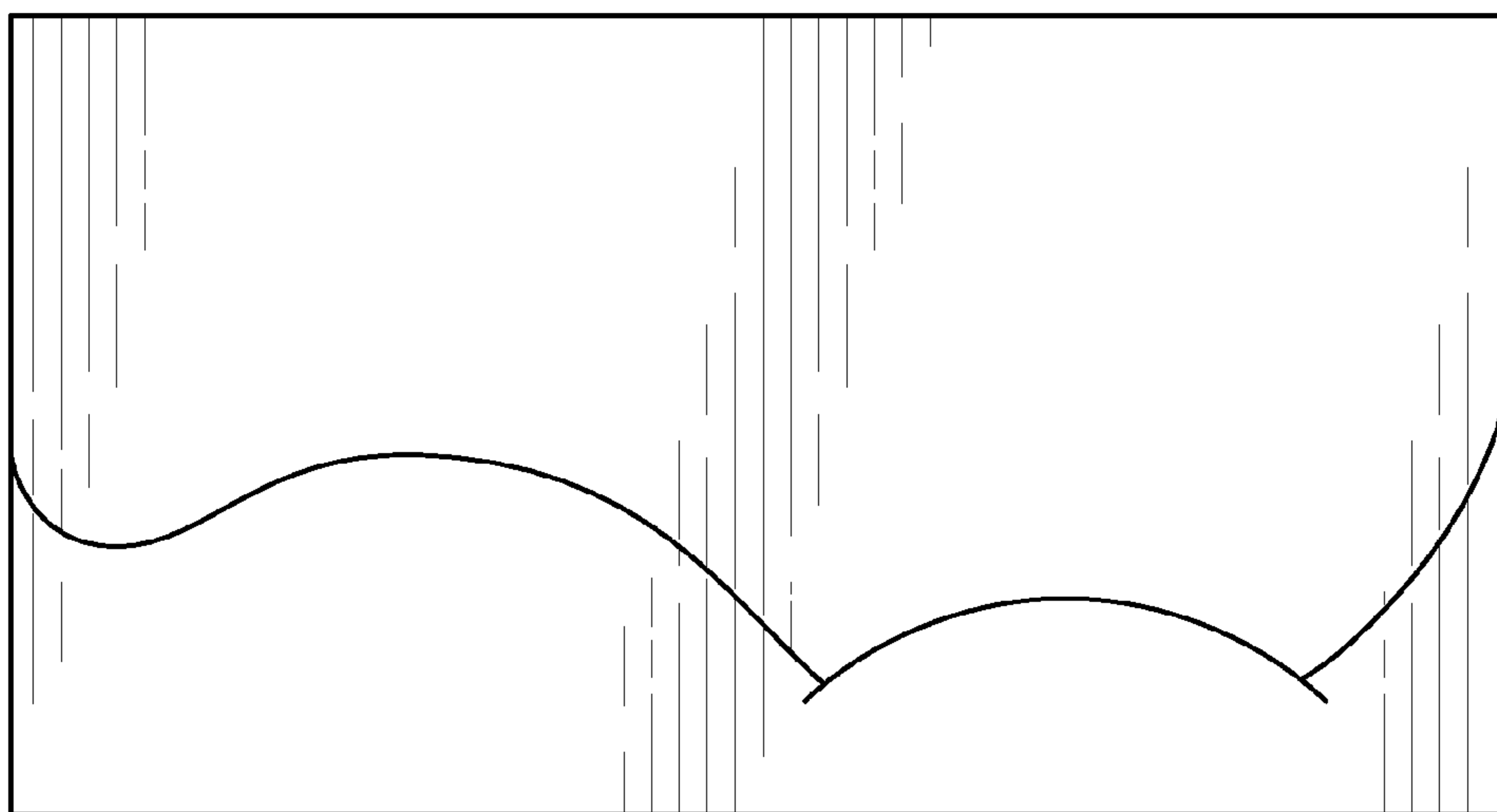


FIG. 9

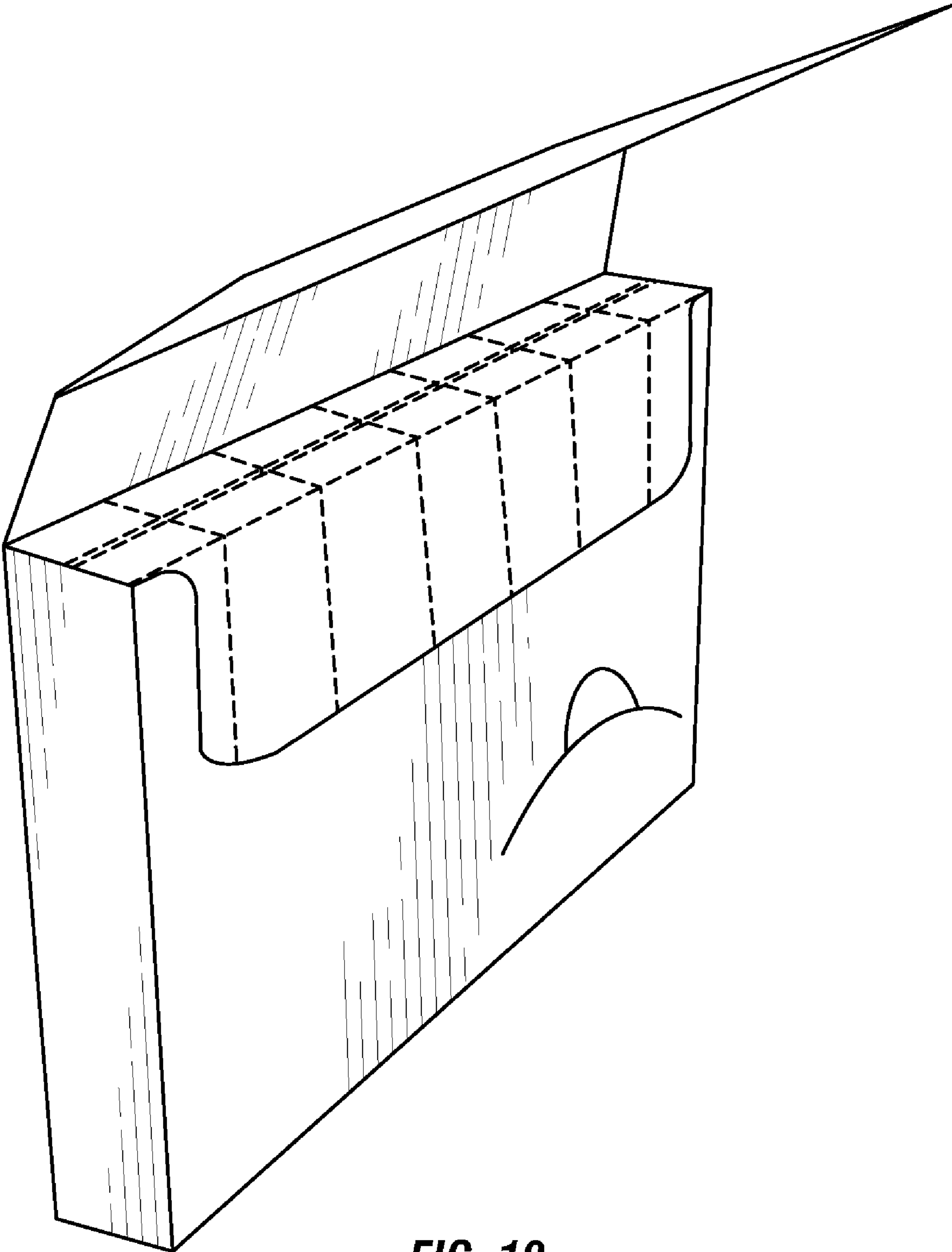


FIG. 10

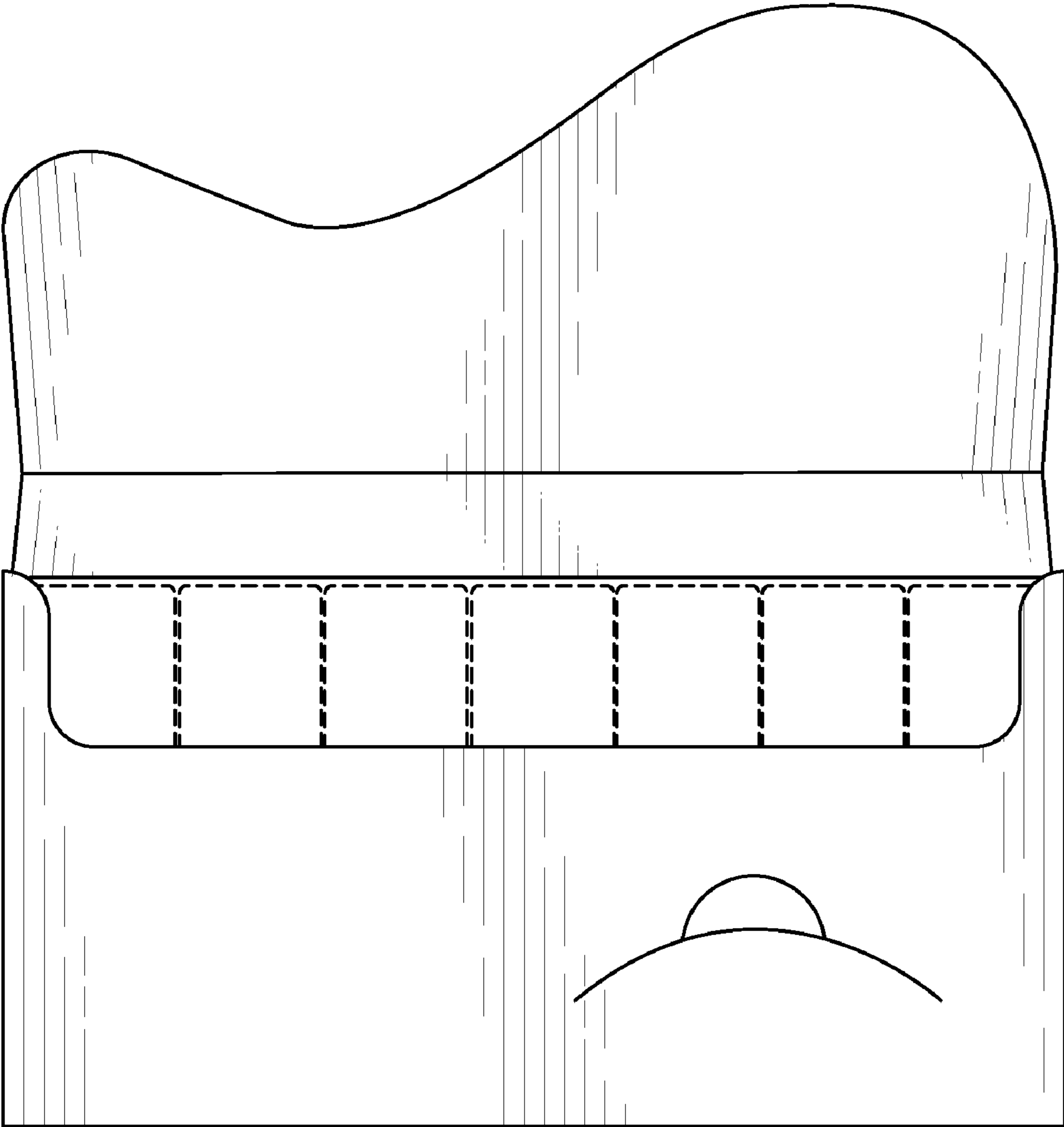


FIG. 11