



US00D619453S

(12) **United States Design Patent**  
**Petaccia**

(10) **Patent No.:** **US D619,453 S**  
(45) **Date of Patent:** **\*\* Jul. 13, 2010**

(54) **PASTA PACKAGING BOX**

(75) Inventor: **Eddy Petaccia**, Longueuil (CA)

(73) Assignee: **Products Grisspasta Ltée/Grisspasta Products Ltd.**, Longueuil (CA)

(\*\*) Term: **14 Years**

(21) Appl. No.: **29/341,922**

(22) Filed: **Aug. 14, 2009**

(51) **LOC (9) Cl.** ..... **09-03**

(52) **U.S. Cl.** ..... **D9/418**

(58) **Field of Classification Search** ..... D9/414-418,  
D9/423-433, 753; 229/100, 102-103, 107,  
229/115, 116.4, 122, 122.1, 147, 149, 162.1,  
229/194; D3/271.6, 272-273, 276, 294;  
220/4.21-4.23, 266, 526, 574, 780, DIG. 12;  
206/216, 351, 469, 525, 562, 731, 733-734,  
206/775-778, 781-782, 784, 807; 221/191  
See application file for complete search history.

(56) **References Cited**

**U.S. PATENT DOCUMENTS**

D119,173 S *	2/1940	Nagle	.....	D9/418
D188,075 S *	5/1960	Vannice	.....	D9/432
3,451,535 A *	6/1969	Caplan	.....	229/102
D265,723 S *	8/1982	Rosenthal	.....	D9/753
D360,131 S *	7/1995	Tudor	.....	D9/418
D364,087 S *	11/1995	Farley	.....	D9/418
6,112,979 A *	9/2000	Deger	.....	229/122
D485,177 S *	1/2004	Hoffman et al.	.....	D9/433
D504,314 S *	4/2005	Kim	.....	D9/416

D504,771 S *	5/2005	Boyd et al.	.....	D3/273
D520,375 S *	5/2006	Summerford et al.	.....	D9/600
D540,187 S *	4/2007	Duffy	.....	D9/734
D604,602 S *	11/2009	Kohno	.....	D9/418

\* cited by examiner

*Primary Examiner*—Rosemary K Tarcza

*Assistant Examiner*—Susan E Krakower

(74) *Attorney, Agent, or Firm*—Ogilvy Renault LLP

(57) **CLAIM**

The ornamental design for a pasta packaging box, as shown and described.

**DESCRIPTION**

FIG. 1 is a perspective view of the pasta packaging box of the present design;

FIG. 2 is a front view of the pasta packaging box of FIG. 1;

FIG. 3 is a rear view of the pasta packaging box of FIG. 1;

FIG. 4 is a right side view of the pasta packaging box of FIG. 1;

FIG. 5 is a left side view of the pasta packaging box of FIG. 1;

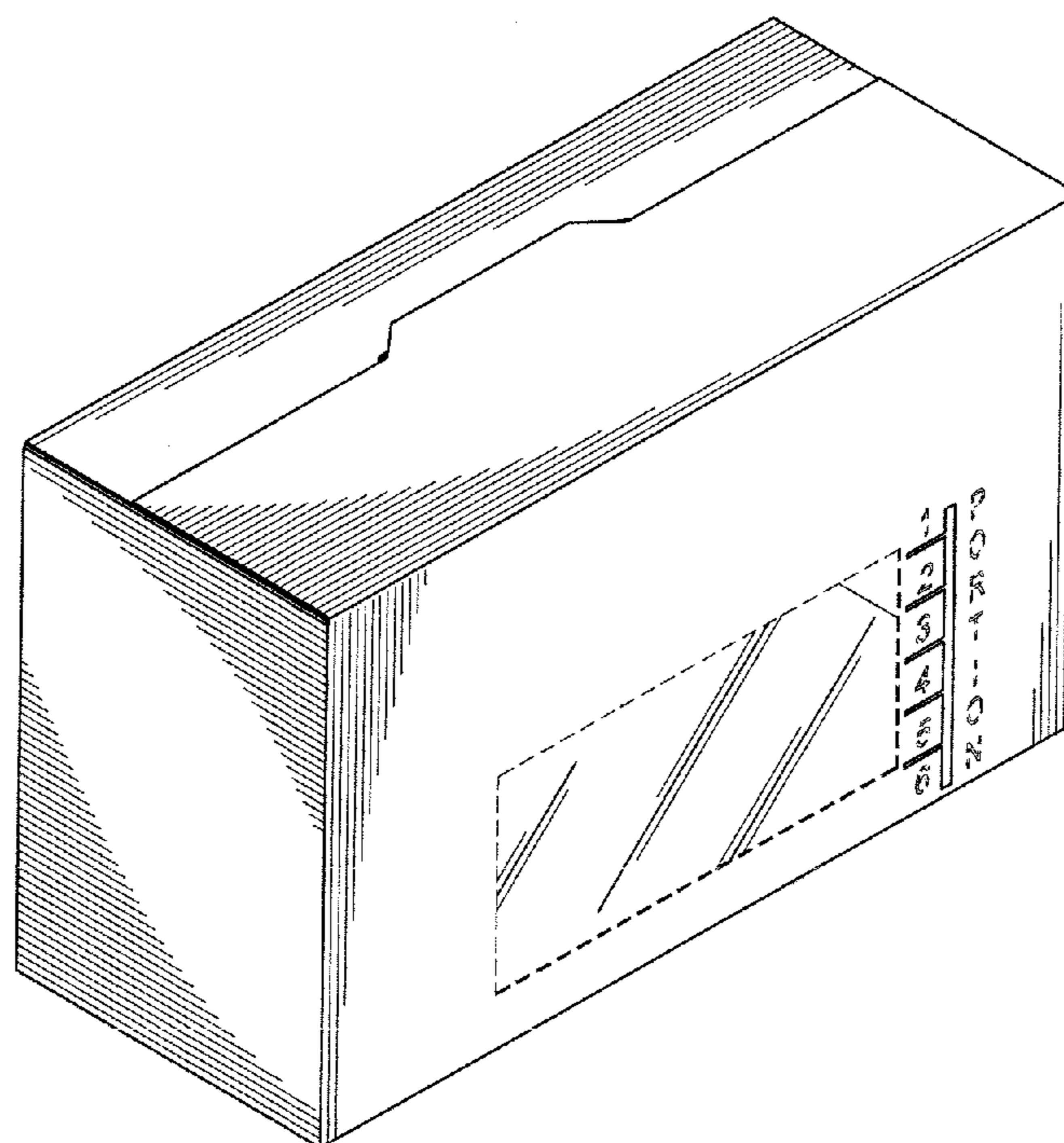
FIG. 6 is a top view of the pasta packaging box; and,

FIG. 7 is a perspective view of the pasta packaging box with the top end of the box opened.

The broken lines on the front surface represent portions of the pasta packaging box which form no part of the claimed design.

The broken lines visible in FIG. 7 on the open top flap represent perforation lines which form part of the claimed design.

**1 Claim, 4 Drawing Sheets**



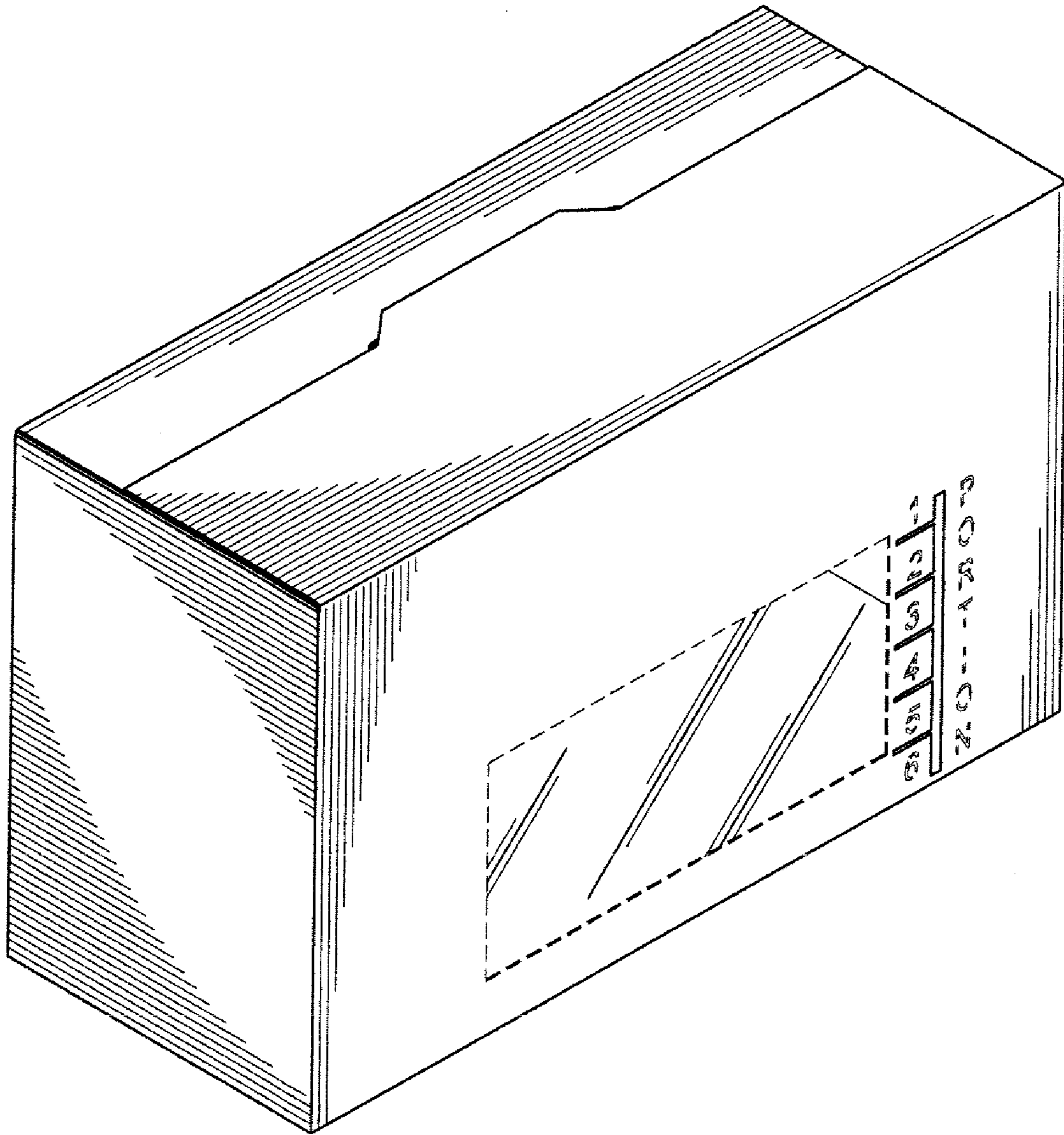


FIG-1

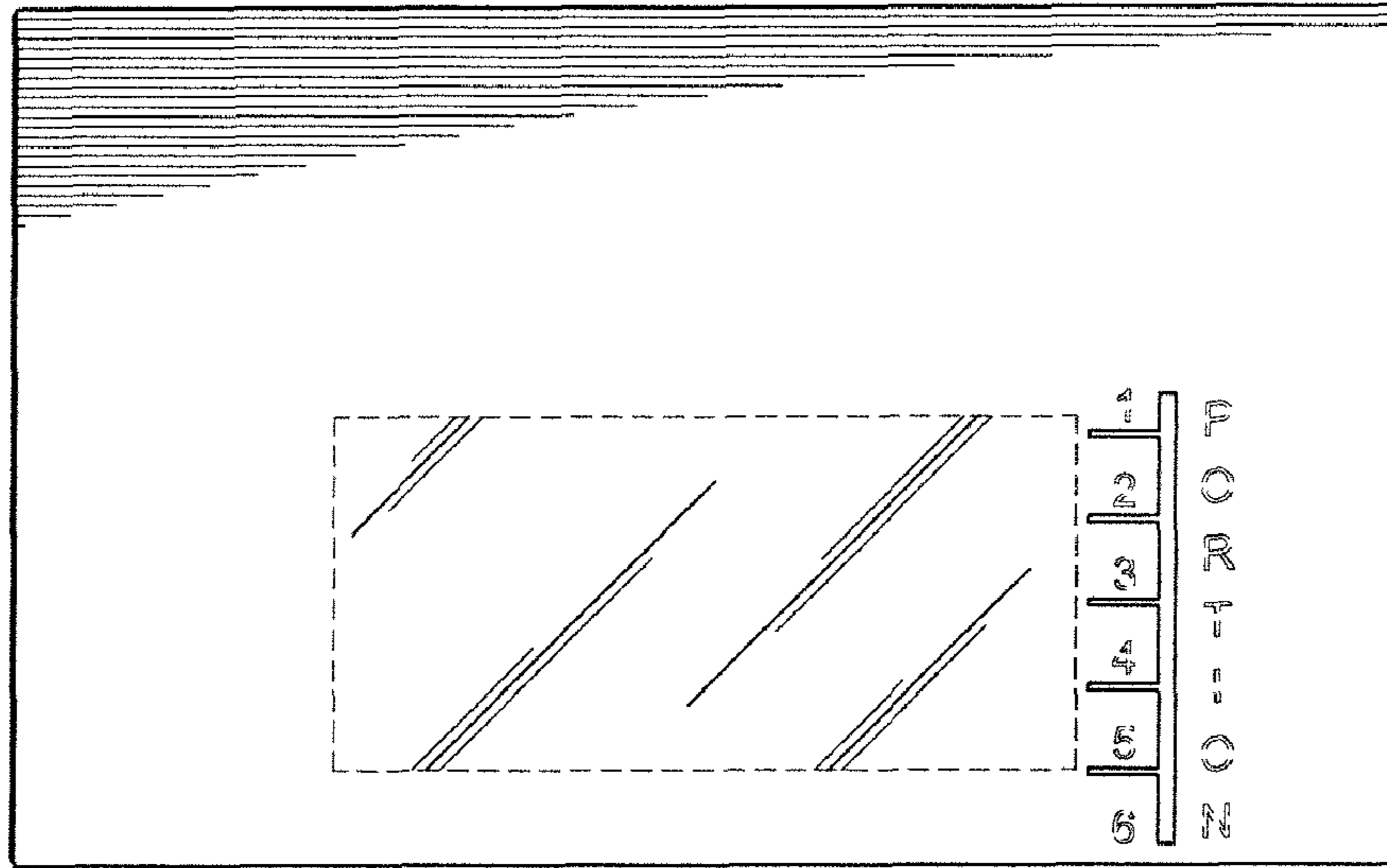


Fig-2

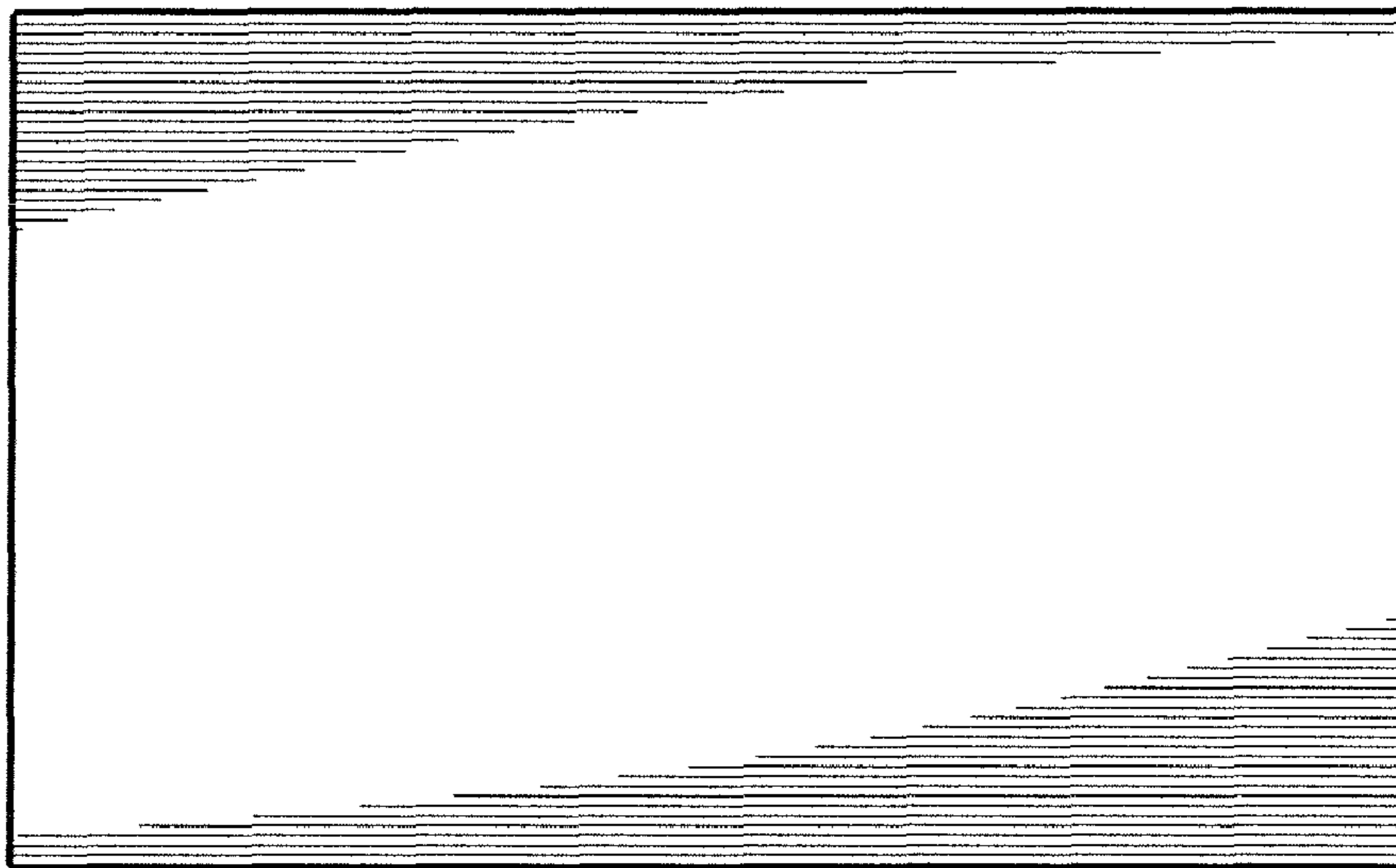


Fig-3

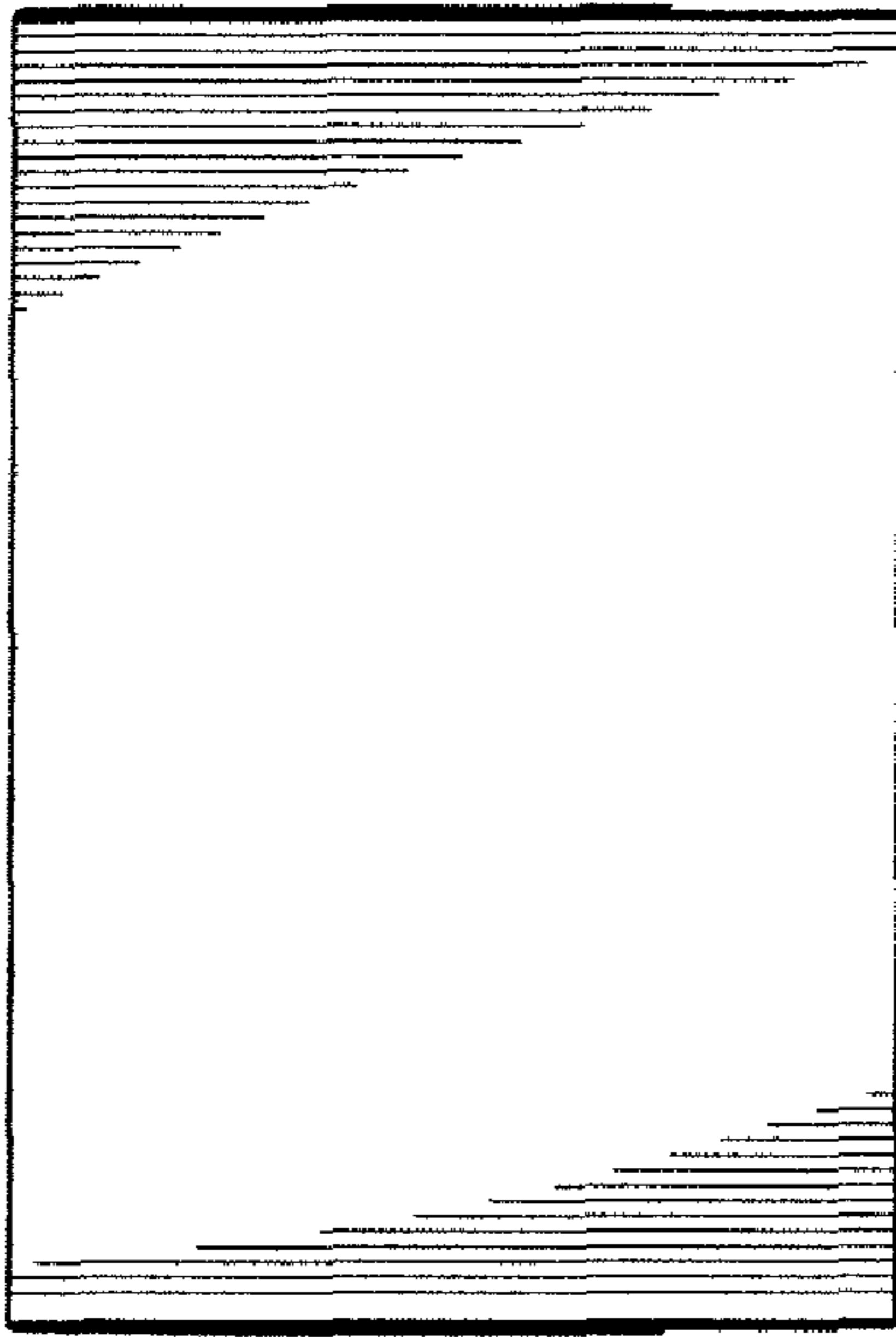


FIG. 4

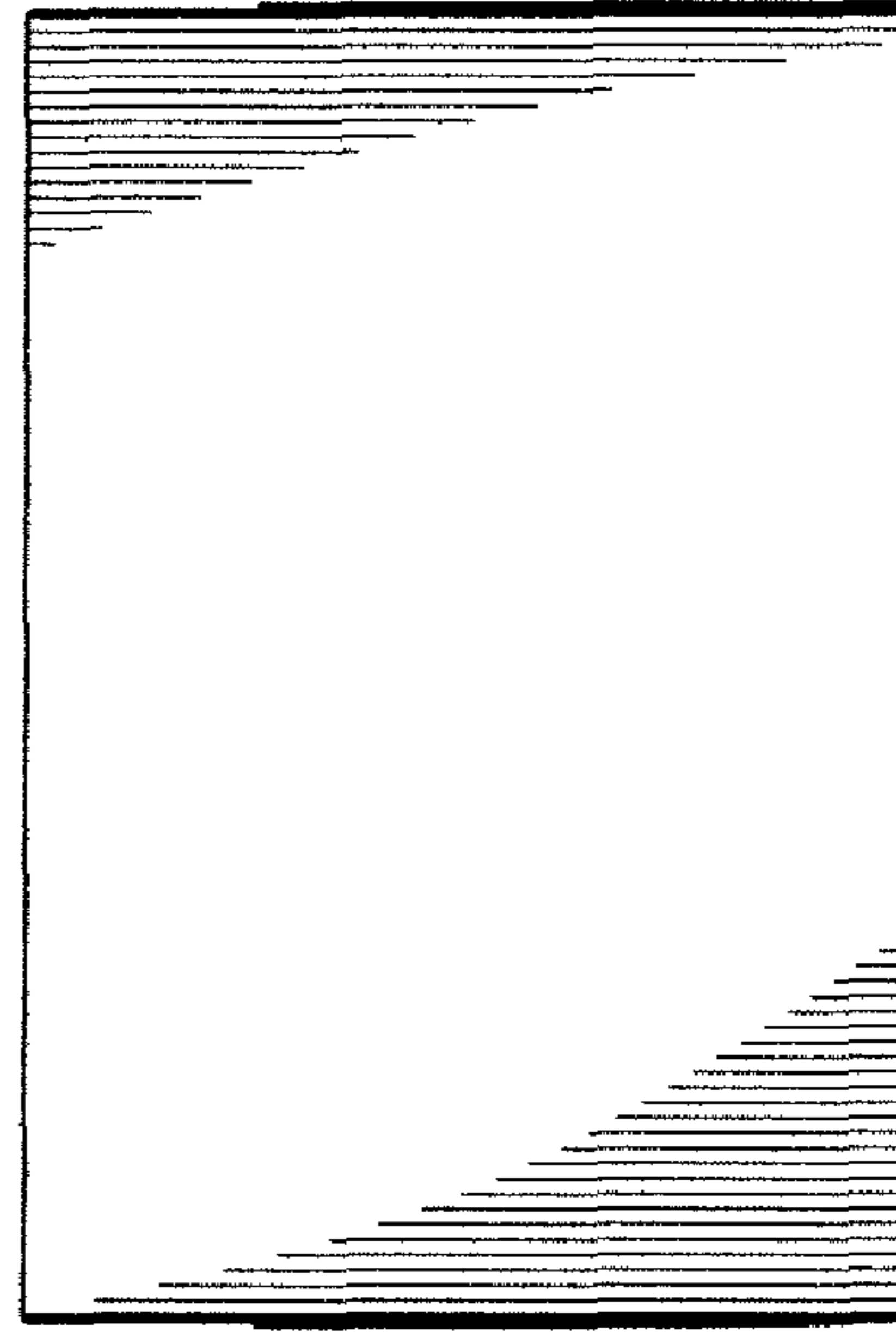


FIG. 5

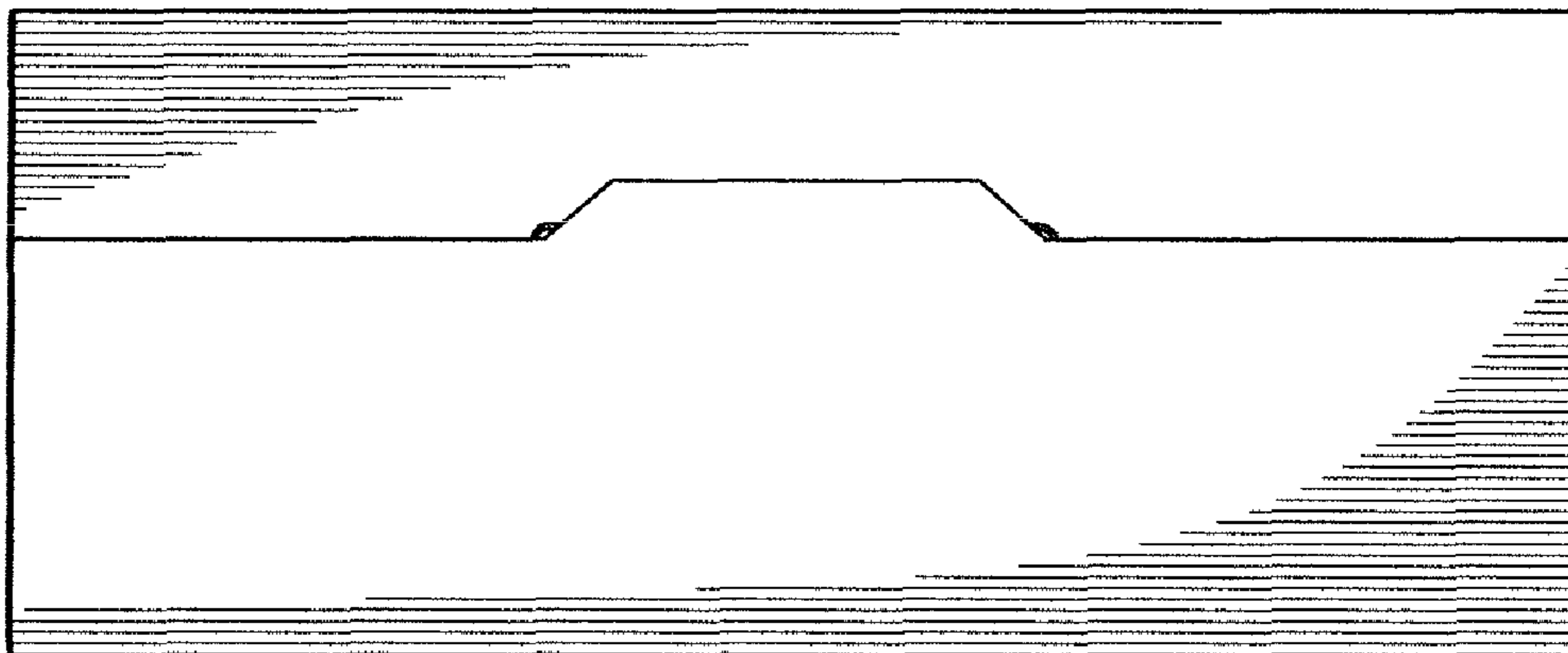


FIG. 6

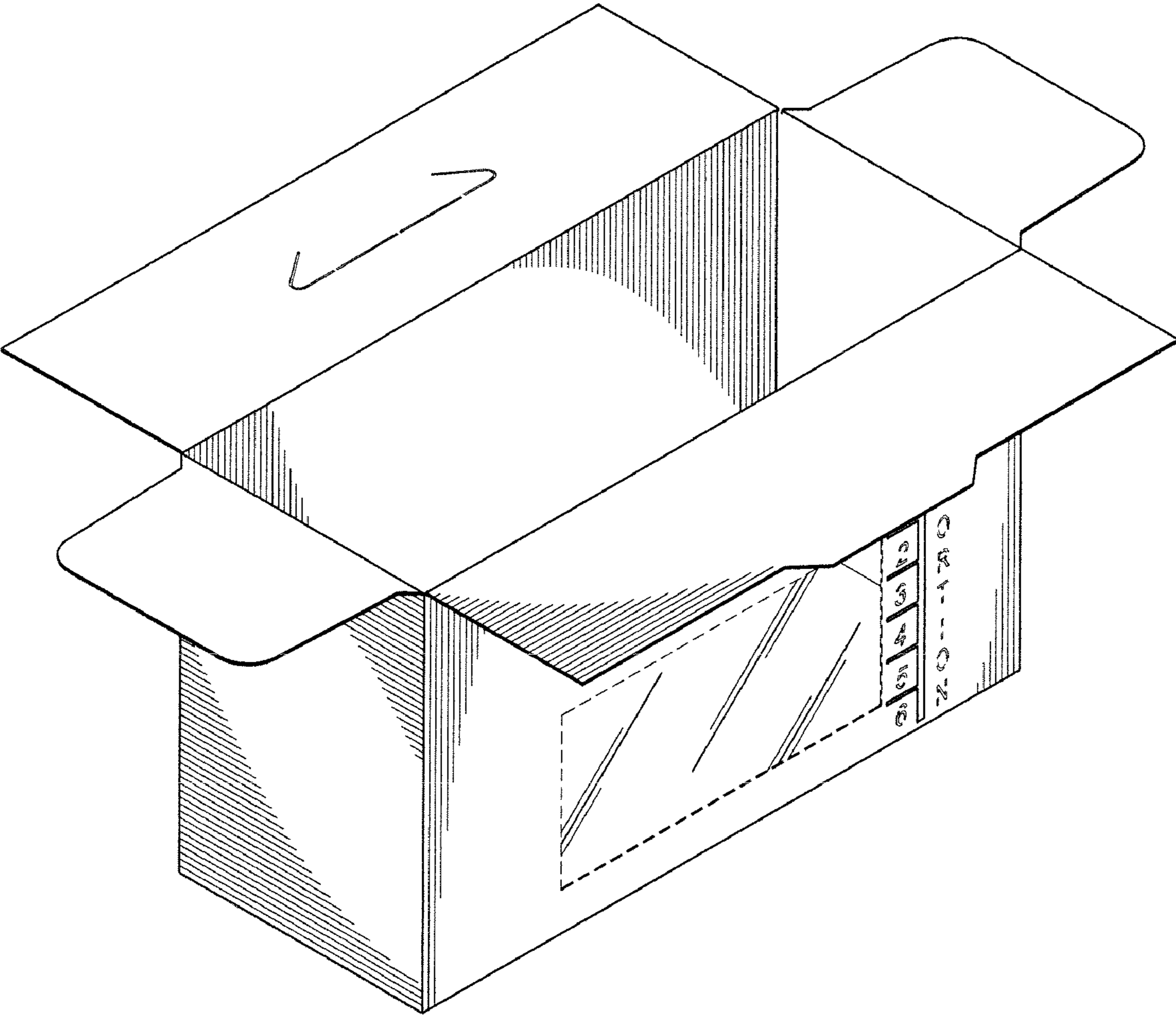


Fig-7

UNITED STATES PATENT AND TRADEMARK OFFICE  
**CERTIFICATE OF CORRECTION**

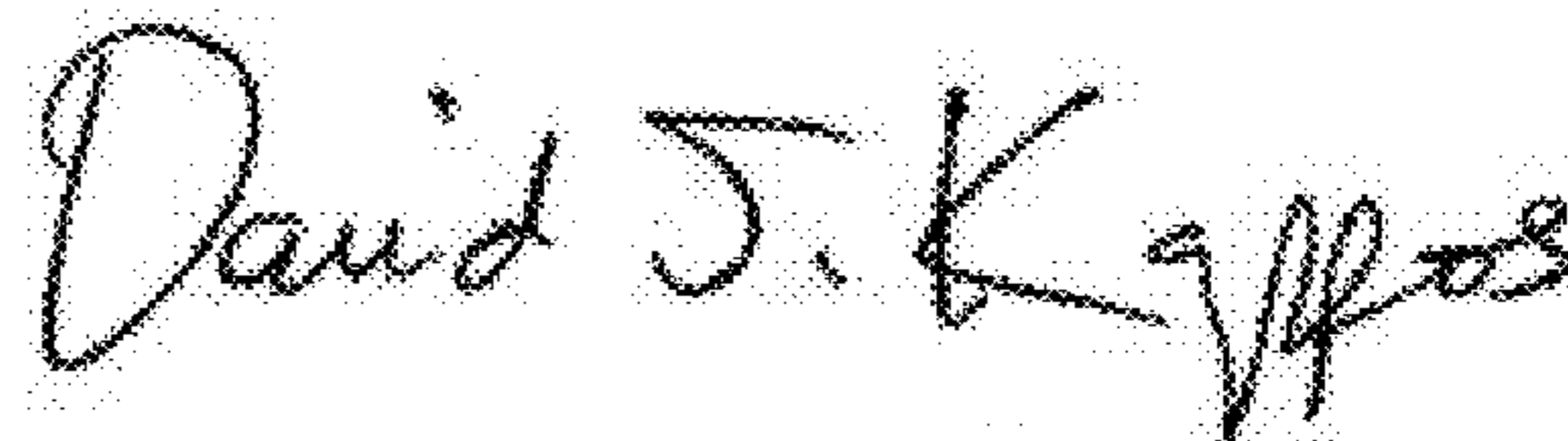
PATENT NO. : D619,453 S  
APPLICATION NO. : 29/341922  
DATED : July 13, 2010  
INVENTOR(S) : Eddy Petaccia

Page 1 of 1

It is certified that error appears in the above-identified patent and that said Letters Patent is hereby corrected as shown below:

On the title page item (73), the name of the Assignee should correctly read: Produits Grisspasta  
Ltée/Grisspasta Products Ltd., Longueuil (CA)

Signed and Sealed this  
Twenty-fifth Day of January, 2011

A handwritten signature in black ink that reads "David J. Kappos". The signature is written in a cursive, slightly slanted style.

David J. Kappos  
*Director of the United States Patent and Trademark Office*